



# WindTunnel™ PLUS

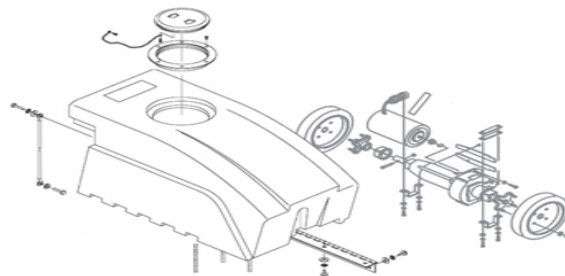
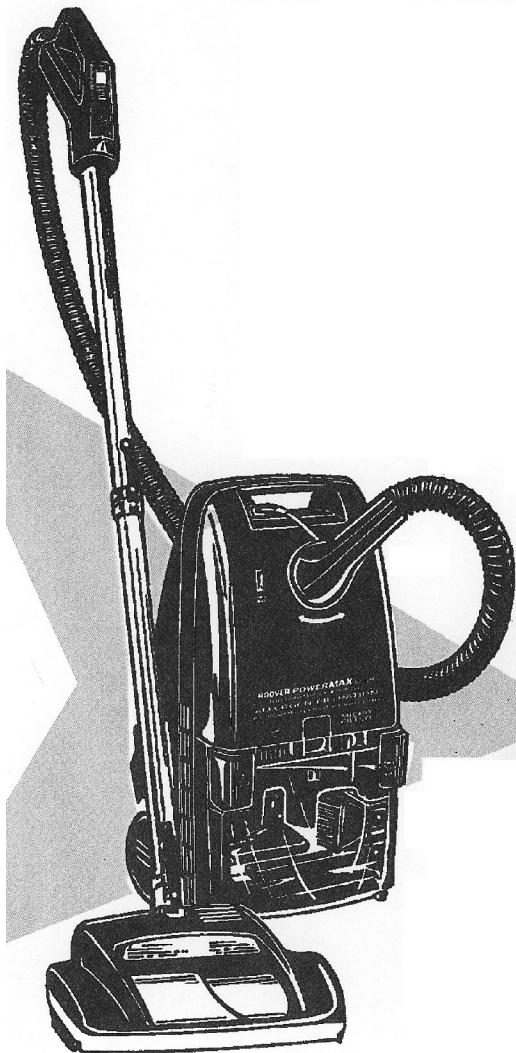
# 18

## SECTION CONTENTS

<u>MODEL NO.</u>	<u>PAGE NO.</u>
S3630	18-2 THRU 18-10
S3639	18-11 THRU 18-20
TOOLS	18-21 THRU 18-22
TURBINE	18-23 THRU 18-24

## MODEL NO.

S3630  
S3639



**FLOOREQUIPMENTPARTS.COM**

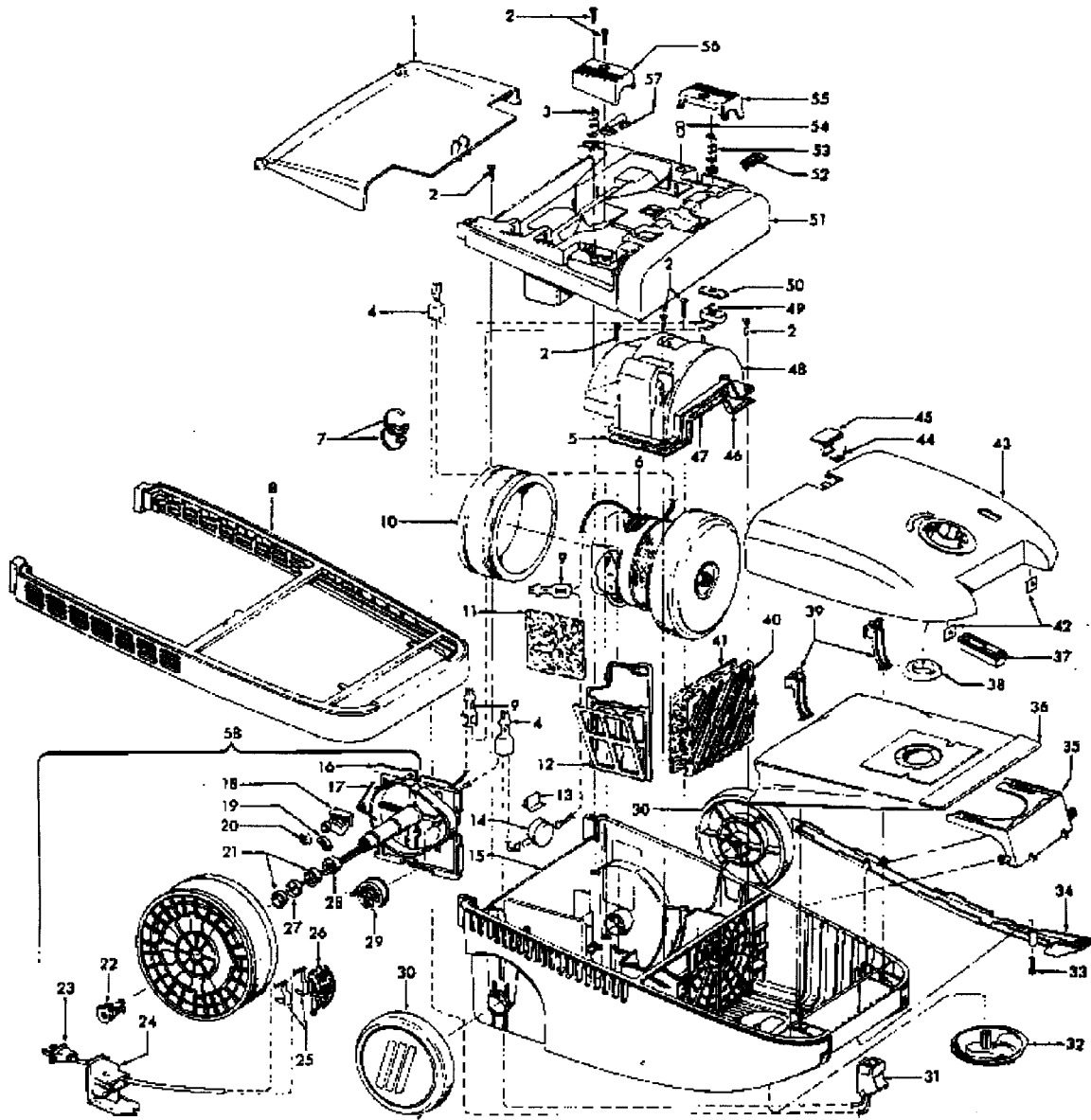
- \* PRICING, SPECIFICATION'S, AND PRODUCT AVAILABILITY ARE SUBJECT TO CHANGE WITHOUT NOTICE. PRICING IS FOB FACTORY, CANTON, OH
- \* ALL INFORMATION CONTAINED WITHIN THIS SERVICE MANUAL IS PROPRIETARY INFORMATION OF TTI FLOOR CARE NORTH AMERICA.
- \* **WARNING:** TO REDUCE THE RISK OF ELECTRICAL SHOCK OR INJURY, ALWAYS DISCONNECT THE APPLIANCE CORD FROM THE ELECTRICAL OUTLET OR REMOVE BATTERY PRIOR TO SERVICING THE UNIT.



ASSEMBLY SCHEMATIC

MODEL NO.

S3630





18

PART LISTING / PRICE LIST

MODEL No.

S3630

ITEM	PART NUMBER	MODELS To FIT	PART DESCRIPTION	LIST COST
1	37215180	S3630	TOOL LID	10.79
2	21447217	S3630	SCREW - SELF TAPPING	1.12
3	38314024	S3630	SPRING	1.12
4	27618508	S3630	WIRE CONNECTOR	1.12
5	34633003	S3630	RETAINER SEAL - RIGHT	N.A.
6	43576190	S3630	MOTOR	104.64
7	27479307	S3630	CABLE TIE	.45
8	36235069	S3630	FURNITURE GAURD	N.A.
9	27618508	S3630	WIRE CONNECTOR	1.12
10	36322031	S3630	MOTOR MOUNT	3.39
11	34174012	S3630	EXHAUST FILTER	1.23
12	38769019	S3630	EXHAUST FILTER CASE	1.81
13	21378160	S3630	RETAINING CLIP	N.A.
14	28382085	S3630	THERMAL PROTECTOR	6.79
15	42215003	S3630	MAIN BODY / LOWER HOUSING	56.69
	42217189	S3630	BAG LID	34.01
16		S3630	CORD REEL SUPPORT - ORDER #58	N.A.
17		S3630	TORSION SPRING - ORDER #58	N.A.
18	51151028	S3630	BAG INDICATOR	6.79
19		S3630	BRAKE PAD - ORDER #58	N.A.
20		S3630	PUSH NUT - ORDER #58	N.A.
21		S3630	SPACER - ORDER #58	N.A.
22		S3630	RETAINER - ORDER #58	N.A.
23	90001033	S3630	POWER CORD	15.87
24	36218018	S3630	FERRULE	N.A.
25		S3630	CONTACT SPRING - ORDER #58	N.A.
26		S3630	BRUSH HOLDER - ORDER #58	N.A.
27		S3630	SLIP RING ASSEMBLY / WHITE - ORDER #58	N.A.
28		S3630	SLIP RING ASSEMBLY / BLACK - ORDER #58	N.A.
29		S3630	SPOOL AND SPRING ASSEMBLY - ORDER #58	N.A.
30	38522065	S3630	WHEEL	4.86
31	46326082	S3630	RECEPTACLE ASSEMBLY	3.16
32	41432040	S3630	WHEEL CARRIER	3.39
33	21447223	S3630	SCREW - SELF TAPPING	.23
34	36218020	S3630	CORD CHANNEL COVER	N.A.
35	36424010	S3630	BAG COLLAR SUPPORT	1.76



18

PART LISTING / PRICE LIST

MODEL No.

S3630

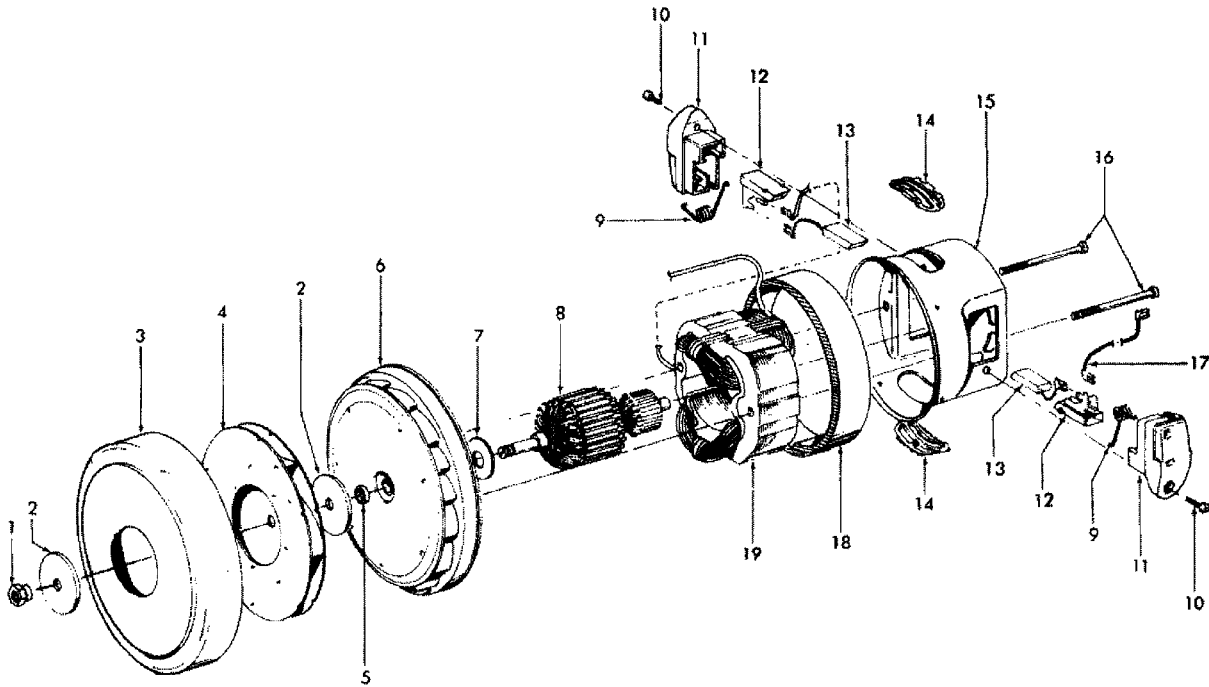
ITEM	PART NUMBER	MODELS TO FIT	PART DESCRIPTION	LIST COST
36	4010100S	S3630	TYPE S ALLERGEN BAG - 3 PACK	3.62 NON DISC
37	51151010	S3630	BAG INDICATOR	6.79
38	36424012	S3630	BAG COLLAR SEAL - BLACK	1.46
39	36151027	S3630	BAG LID HINGE	1.12
40	37944005	S3630	FILTER REATINER	N.L.A.
41	38765009	S3630	SECONDARY / INLET FILTER	.32 NON DISC
42	21378159	S3630	SPEED CLIP	1.12
43	42212135	S3630	BAG LID - BLACK	28.34
44	38351009	S3630	TORSION SPRING	1.12
45	36153040	S3630	BAG LID LATCH - BLACK	1.12
46	34633002	S3630	RETAINER SEAL - LEFT	N.A.
47	34123040	S3630	RETAINER SEAL - CENTER	N.L.A.
48	41312042	S3630	MOTOR RETAINER ASSEMBLY - BLACK	6.00
49	28218061	S3630	SWITCH	2.80
50		S3630	SWITCH MOUNTING PLATE	N.A.
51	41426134	S3630	MOTOR COVER ASSEMBLY - FOREST GREEN	19.27
52	37941043	S3630	THERMOSTAT COVER	N.A.
53	38314026	S3630	SPRING	3.39
54	23762005	S3630	PLUG	1.12
55	38422184	S3630	SWITCH PEDAL	2.03
56	38422155	S3630	CORD REEL PEDAL - BLACK	1.81
57	38458034	S3630	CORD REEL BRAKE ARM	2.59
58	41911014	S3630	CORD REEL ASSMEMBLY	56.69
	58211011	S3630	BOTTOM SUPPORT - FRONT	N.A.
	58211012	S3630	BOTTOM SUPPORT - REAR	N.A.
	43433110	S3630	HOSE ASSEMBLY COMPLETE / 2 WIRE - BLACK	113.39
	48438288	S3630	POWER NOZZLE COMPLETE	N.L.A.
	43414057	S3630	FURNITURE NOZZLE - BLACK	6.79
	43414064	S3630	DUSTING BRUSH	6.83
	43414073	S3630	FLOOR BRUSH - BLACK	14.73
	40200013	S3630	TURBINE HAND TOOL	9.95 NON DISC
	43453023	S3630	EXTENSION TUBE - CHROMIUM PLATED	29.47
	43453099	S3630	EXTENSION TUBE WITH BLACK STORAGE CLIP	28.34
	38617017	S3630	CREVICE TOOL - 7" BLACK	3.39



ASSEMBLY SCHEMATIC

MODEL NO.

S3630





18

PART LISTING / PRICE LIST

MODEL No.

S3630

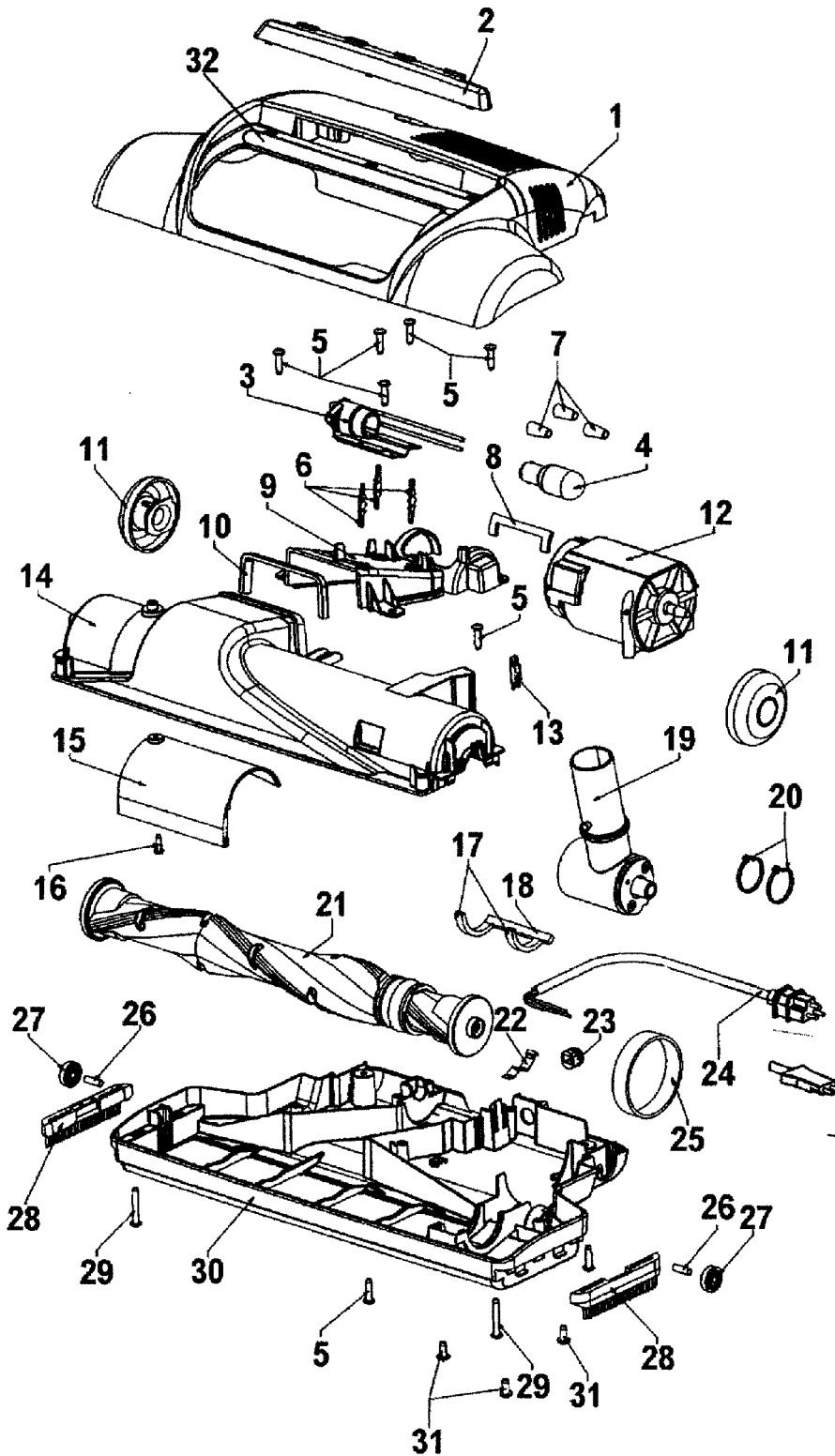
ITEM	PART NUMBER	MODELS TO FIT	PART DESCRIPTION	LIST COST
1	012028--	S3630	NUT	N.A.
2	21312774	S3630	WASHER	N.A.
3	37196065	S3630	FAN COVER	N.A.
4	43551008	S3630	FAN	7.36
5	31148009	S3630	SPACER	N.L.A.
	31148011	S3630	BEARING SPACER	.40
6	43551029	S3630	DIFFUSER ASSEMBLY	N.A.
7	31165003	S3630	BEARING RETAINER	N.A.
8	44765138	S3630	ARMATURE ASSEMBLY COMPLETE	N.A.
	44765241	S3630	ARMATURE	51.02
9	38353004	S3630	SPRING	1.12
10	21429406	S3630	SCREW	.40
11	167696AG	S3630	BRUSH HOUSING	1.69
12	47318008	S3630	BRUSH CARRIER ASSEMBLY	6.79
13	47315011	S3630	MOTOR BRUSH	2.94
	167681--	S3630	CARBON BRUSH AND TERMINAL	2.94
14	169702BZ	S3630	WIRE PROTECT BUSHING	N.A.
15	42193025	S3630	MOTOR HOUSING ASSEMBLY	11.33
16	21447222	S3630	FIELD LAMINATION BOLT	N.A.
	21479573	S3630	SCREW	.57
	36112006	S3630	FIELD LAMINATION BOLT	N.A.
17	46176001	S3630	LEAD WIRE ASSEMBLY	N.A.
18	36322031	S3630	MOTOR MOUNT	3.39
19	45311051	S3630	FIELD COIL	69.86
	43576190	S3630	MOTOR ASSEMBLY COMPLETE	104.64



ASSEMBLY SCHEMATIC

MODEL NO.

S3630





18

PART LISTING / PRICE LIST

MODEL No.

S3630

ITEM	PART NUMBER	MODELS To FIT	PART DESCRIPTION	LIST COST
1	37253310	S3630	HOOD / NOZZLE COVER	N.L.A.
	37253314	S3630	HOOD / NOZZLE COVER - SUBSTITUTION	N.L.A.
2	39383142	S3630	DIRT FINDER LENS	.40
3	47171020	S3630	DIRT FINDER SOCKET	4.53
4	27317307	S3630	DIRT FINDER LAMP	6.20
5	21447003	S3630	SCREW	.57
6	36218026	S3630	GROMMET	.88
7	27618508	S3630	WIRE CONNECTOR	1.12
8	34253018	S3630	REAR SEAL	.40
9	37243066	S3630	DUCT COVER	3.29
10	34113008	S3630	SEAL	1.12
11	90001395	S3630	WHEEL / AXLE ASSEMBLY	5.66
12	90001369	S3630	MOTOR ASSEMBLY	85.04
13	013261AY	S3630	RIB SHOE	.57
14	37243067	S3630	AGITATOR / BRUSH ROLL COVER	13.44
15	37243030	S3630	DUCT COVER	3.39
16	21479449	S3630	SCREW	1.12
17	34122014	S3630	SEAL	1.12
18	34112007	S3630	SEAL	1.12
19	43482114	S3630	NOZZLE COVER CONNECTOR - BLACK	3.08
20	27479307	S3630	CABLE TIE	.45
21	90001371	S3630	AGITATOR / BRUSH ROLL	22.67
22	35276008	S3630	DETENTION SPRING	N.L.A.
23	163768--	S3630	STRAIN RELIEF	1.12
24	46521021	S3630	POWER NOZZLE CORD	N.L.A.
25	38528036	S3630	BELT	.85 NON DISC
26	31522004	S3630	WHEEL SHAFT	1.12
27	32761001	S3630	WHEEL	2.26
28	39511004	S3630	LITTER PICKER	2.26
29	21447236	S3630	SCREW	1.12
30	37245104	S3630	BASE PLATE/NOZZLE GUARD - W/LITTER PICKER	21.92
31	21479801	S3630	SCREW - SELF TAPPING	.57
32	51669082	S3630	NAME PLATE	N.L.A.

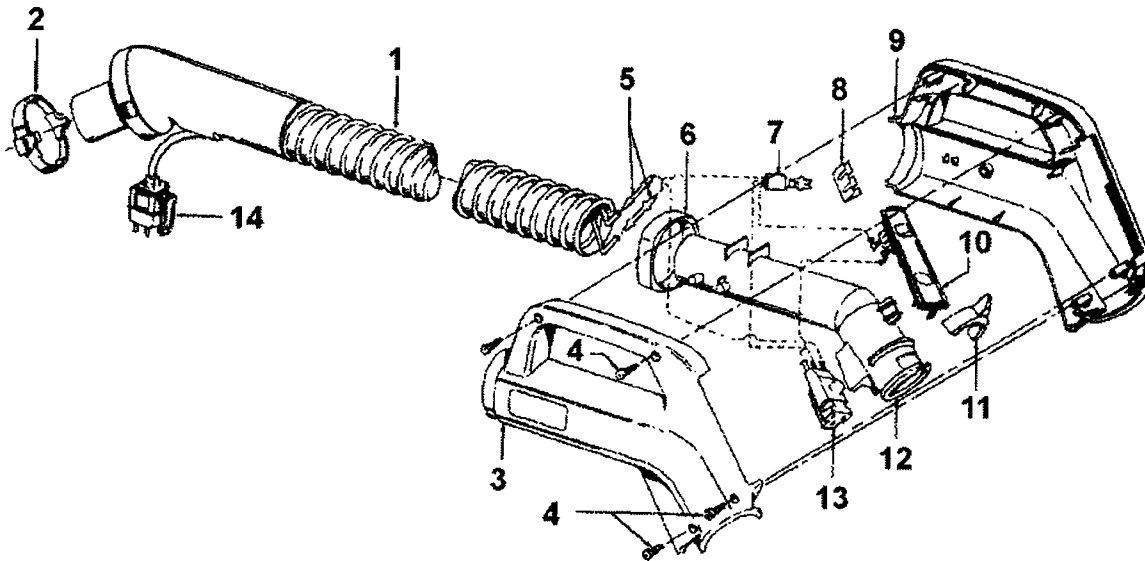




ASSEMBLY SCHEMATIC

MODEL NO.

S3630





18

PART LISTING / PRICE LIST

MODEL No.

S3630

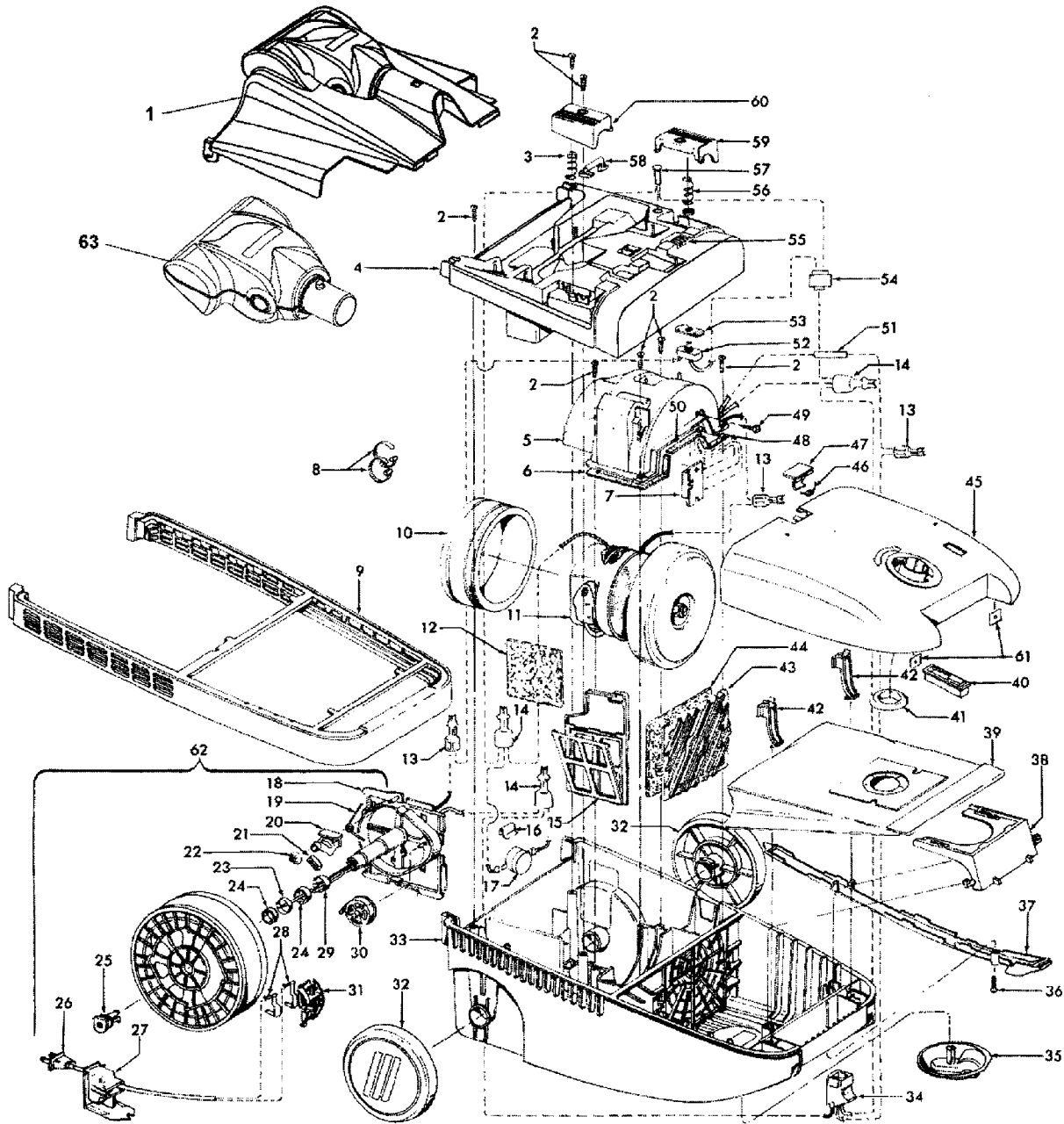
ITEM	PART NUMBER	MODELS To FIT	PART DESCRIPTION	LIST COST
1	43433110	S3630	HOSE ASSEMBLY / 2 WIRE - BLACK	113.39
2	36153038	S3630	HOSE RELEASE LATCH	1.46
3	39461018	S3630	HOSE GRIP - RIGHT	4.53
4	21447124	S3630	SCREW	N.A.
5	27613002	S3630	SPLICE	1.12
	31712006	S3630	INSULATING SLEEVE	.57
6	36131087	S3630	RETAINING RING	N.L.A.
7	018972--	S3630	TERMINAL INSULATED	.89
8	36913030	S3630	INSULATOR	N.A.
9	39461017	S3630	HOSE GRIP - LEFT	4.53
10	47551031	S3630	GRIP CONTROL PANEL	18.13
	51375132	S3630	NAME PLATE - GRIP CONTROL	N.A.
11	36153029	S3630	LATCH RING	1.12
12	38646081	S3630	INNER TUBE	4.86
13	46526004	S3630	CONNECTOR	5.43
14	36152029	S3630	PLUG LATCH	1.12
	40300051	S3630	CORD REPAIR KIT - 2 WIRE	N.L.A.



ASSEMBLY SCHEMATIC

MODEL NO.

S3639





18

PART LISTING / PRICE LIST

MODEL No.

S3639

ITEM	PART NUMBER	MODELS To FIT	PART DESCRIPTION	LIST COST
1	37215182	S3639	TOOL LID	11.33
2	21447217	S3639	SCREW - SELF TAPPING	1.12
3	38314024	S3639	SPRING	1.12
4	41426144	S3639	MOTOR COVER - SAPPHIRE	21.26
5	41312042	S3639	MOTOR RETAINER ASSEMBLY - BLACK	6.00
6	34633003	S3639	RETAINER SEAL - RIGHT	N.A.
7		S3639	RETAINER	N.A.
8	27479307	S3639	CABLE TIE	.45
9	36235069	S3639	FURNITURE GUARD	N.A.
10	36322031	S3639	MOTOR MOUNT	3.39
11	43576190	S3639	MOTOR ASSEMBLY	104.64
12	34174012	S3639	EXHAUST FILTER	1.23
13	012227--	S3639	TERMINAL	.79
14	018972--	S3639	TERMINAL	.89
15	38769019	S3639	EXHAUST FILTER CASE	1.81
16	21378160	S3639	RETAINING CLIP	N.A.
17	28382085	S3639	THERMAL PROTECTOR	6.79
18		S3639	CORD REEL SUPPORT - ORDER #62	N.A.
19		S3639	TORSION SPRING - ORDER #62	N.A.
20		S3639	BRAKE LEVER ASSEMBLY - ORDER #62	N.A.
21		S3639	BRAKE PAD - ORDER #62	N.A.
22		S3639	PUSH NUT - ORDER #62	N.A.
23		S3639	SLIP RING ASSEMBLY WHITE - ORDER #62	N.A.
24		S3639	SPACER - ORDER #62	N.A.
25		S3639	RETAINER - ORDER #62	N.A.
26	90001033	S3639	POWER CORD	15.87
27	36218018	S3639	FERRULE	N.A.
28		S3639	CONTACT SPRING - ORDER #62	N.A.
29		S3639	SLIP SPRING ASSEMBLY BLACK - ORDER #62	N.A.
30		S3639	SPOOL AND SPRING - ORDER #62	N.A.
31		S3639	BRUSH HOLDER - ORDER #62	N.A.
32	38522065	S3639	WHEEL	4.86
33	42215003	S3639	MAIN BODY / NOZZLE BASE	56.69
34	46326082	S3639	RECEPTACLE ASSEMBLY	3.16
35	41432040	S3639	WHEEL CARRIER	3.39
		S3639	WHEEL	N.A.



18

**PART LISTING / PRICE LIST**

MODEL No.

**S3639**

ITEM	PART NUMBER	MODELS To FIT	PART DESCRIPTION	LIST COST
36	21447223	S3639	SCREW - SELF TAPPING	.23
37	36218020	S3639	CORD CHANNEL COVER	N.A.
38	36424010	S3639	BAG COLLAR SUPPORT	1.76
39	4010100S	S3639	TYPE S ALLERGEN BAG - 3 PACK	3.62 NON DISC
40	51151028	S3639	BAG INDICATOR	6.79
41	36424012	S3639	BAG COLLAR SEAL - BLACK	1.46
42	36151027	S3639	BAG LID HINGE	1.12
43	37944005	S3639	FILTER RETAINER	N.L.A.
44	38765009	S3639	SECONDARY / INLET FILTER	.32 NON DISC
45	42217184	S3639	BAG LID - SAPPHIRE TRANSPARENT	30.04
46	38351009	S3639	TORSION SPRING	1.12
47	36153040	S3639	BAG LID LATCH - BLACK	1.12
48	34633002	S3639	RETAINER SEAL - LEFT	N.A.
49	21466732	S3639	SCREW - SELF TAPPING	N.A.
50	34123040	S3639	RETAINER SEAL - CENTER	N.L.A.
51		S3639	TERMINAL	N.A.
52	28218061	S3639	SWITCH	2.80
53		S3639	SWITCH MOUNTING PLATE	N.A.
54	27617106	S3639	CONNECTOR	N.A.
55	37941043	S3639	THERMOSTAT COVER	N.A.
56	38314026	S3639	SPRING	3.39
57	23762005	S3639	PLUG	1.12
58	38458034	S3639	CORD REEL BRAKE ARM	2.59
59	38422184	S3639	SWITCH PEDAL	2.03
60	38422155	S3639	CORD REEL PEDAL - BLACK	1.81
61	21378159	S3639	SPEED CLIP	1.12
62	41911014	S3639	CORD REEL ASSEMBLY	56.69
63	40200013	S3639	TURBINE HAND TOOL	9.95 NON DISC
	58211011	S3639	BOTTOM SUPPORT - FRONT	N.A.
	58211012	S3639	BOTTOM SUPPORT - REAR	N.A.
	43453023	S3639	EXTENSION TUBE - CHROMIUM PLATED	29.47
	43453099	S3639	EXTENSION TUBE WITH BLACK STORAGE CLIP	28.34
	43414057	S3639	FURNITURE NOZZLE - BLACK	6.79
	43414064	S3639	DUSTING BRUSH	6.83
	43414073	S3639	FLOOR BRUSH - BLACK	14.73



**PLUS**  
*WindTunnel*™

18

PART LISTING / PRICE LIST

ITEM	PART NUMBER	MODELS TO FIT	PART DESCRIPTION	LIST COST
	38617017	S3639	CREVICE TOOL - 7" BLACK	3.39
	43433110	S3639	HOSE ASSEMBLY COMPLETE / 2 WIRE - BLACK	113.39
	48438198	S3639	POWER NOZZLE COMPLETE - SAPPHIRE	N.L.A.

MODEL No.

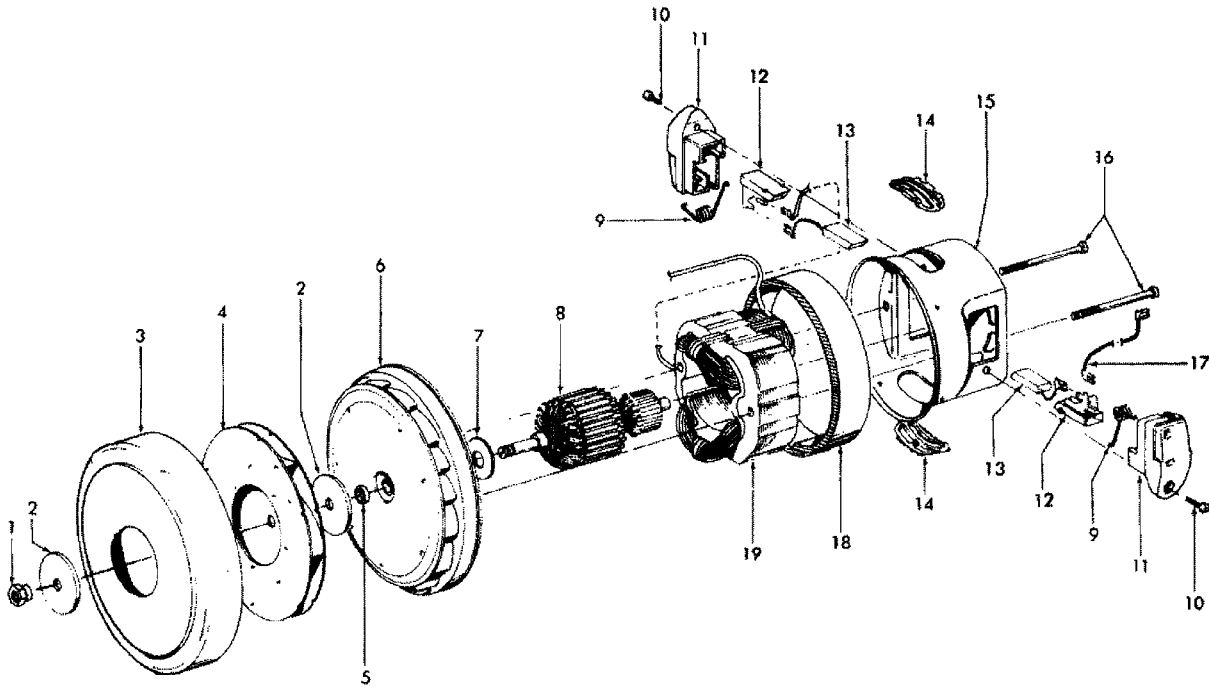
S3639



ASSEMBLY SCHEMATIC

MODEL NO.

S3639





18

PART LISTING / PRICE LIST

MODEL No.

S3639

ITEM	PART NUMBER	MODELS TO FIT	PART DESCRIPTION	LIST COST
1	012028--	S3639	NUT	N.A.
2	21312774	S3639	WASHER	N.A.
3	37196065	S3639	FAN COVER	N.A.
4	43551008	S3639	FAN	7.36
5	31148009	S3639	SPACER	N.L.A.
	31148011	S3639	BEARING SPACER	.40
6	43551029	S3639	DIFFUSER ASSEMBLY	N.A.
7	31165003	S3639	BEARING RETAINER	N.A.
8	44765138	S3639	ARMATURE ASSEMBLY COMPLETE	N.A.
9	38353004	S3639	SPRING	1.12
10	21429406	S3639	SCREW	.40
11	167696AG	S3639	BRUSH HOUSING	1.69
12	47318008	S3639	BRUSH CARRIER ASSEMBLY	6.79
13	167681--	S3639	CARBON BRUSH AND TERMINAL	2.94
14	169702BZ	S3639	WIRE PROTECT BUSHING	N.A.
15	42193025	S3639	MOTOR HOUSING ASSEMBLY	11.33
16	21447222	S3639	FIELD LAMINATION BOLT	N.A.
	36112006	S3639	FIELD LAMINATION BOLT	N.A.
17	46176001	S3639	LEAD WIRE ASSEMBLY	N.A.
18	36322031	S3639	MOTOR MOUNT	3.39
19	45311051	S3639	FIELD COIL	69.86
	43576190	S3639	MOTOR ASSEMBLY COMPLETE	104.64

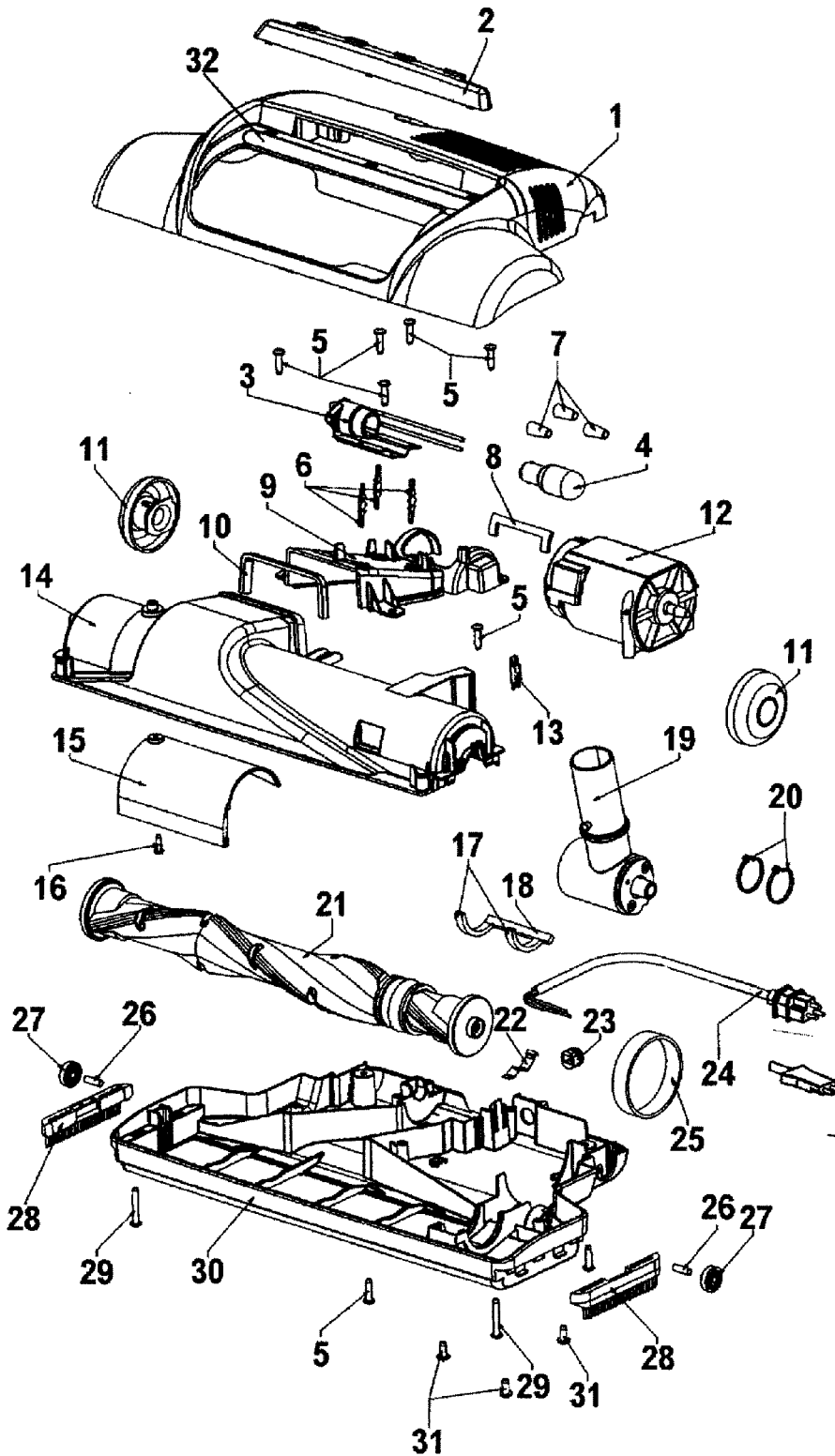




ASSEMBLY SCHEMATIC

MODEL NO.

S3639





18

PART LISTING / PRICE LIST

MODEL No.

S3639

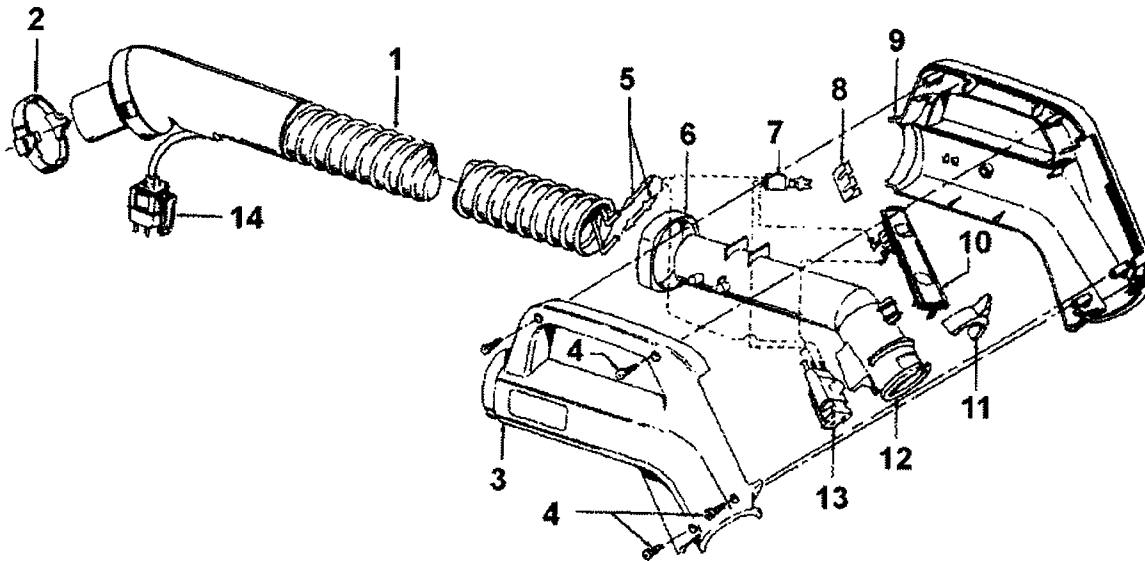
ITEM	PART NUMBER	MODELS To FIT	PART DESCRIPTION	LIST COST
1	37253314	S3639	HOOD / NOZZLE COVER	N.L.A.
	37253310	S3639	HOOD / NOZZLE COVER - SUBSTITUTION	N.L.A.
2	39383142	S3639	DIRT FINDER LENS	.40
3	47171020	S3639	DIRT FINDER SOCKET	4.53
4	27317307	S3639	DIRT FINDER LAMP	6.20
5	21447003	S3639	SCREW	.57
6	36218026	S3639	GROMMET	.88
7	27618508	S3639	WIRE CONNECTOR	1.12
8	34253018	S3639	REAR SEAL	.40
9	37243066	S3639	DUCT COVER	3.29
10	34113008	S3639	SEAL	1.12
11	90001395	S3639	WHEEL / AXLE ASSEMBLY	5.66
12	90001369	S3639	MOTOR ASSEMBLY	85.04
13	013261AY	S3639	RIB SHOE	.57
14	37243067	S3639	AGITATOR / BRUSH ROLL COVER	13.44
15	37243030	S3639	DUCT COVER	3.39
16	21479449	S3639	SCREW	1.12
17	34122014	S3639	SEAL	1.12
18	34112007	S3639	SEAL	1.12
19	43482114	S3639	NOZZLE COVER CONNECTOR - BLACK	3.08
20	27479307	S3639	CABLE TIE	.45
21	90001371	S3639	AGITATOR / BRUSH ROLL	22.67
22	35276008	S3639	DETENTION SPRING	N.L.A.
23	163768--	S3639	STRAIN RELIEF	1.12
24	46521021	S3639	POWER NOZZLE CORD	N.L.A.
25	38528036	S3639	BELT	.85 NON DISC
26	31522004	S3639	WHEEL SHAFT	1.12
27	32761001	S3639	WHEEL	2.26
28	39511004	S3639	LITTER PICKER	2.26
29	21447236	S3639	SCREW	1.12
30	37245104	S3639	BASE PLATE/NOZZLE GUARD - W/LITTER PICKER	21.92
31	21479801	S3639	SCREW - SELF TAPPING	.57
32	51669082	S3639	NAME PLATE	N.L.A.



ASSEMBLY SCHEMATIC

MODEL NO.

S3639





18

PART LISTING / PRICE LIST

MODEL No.

S3639

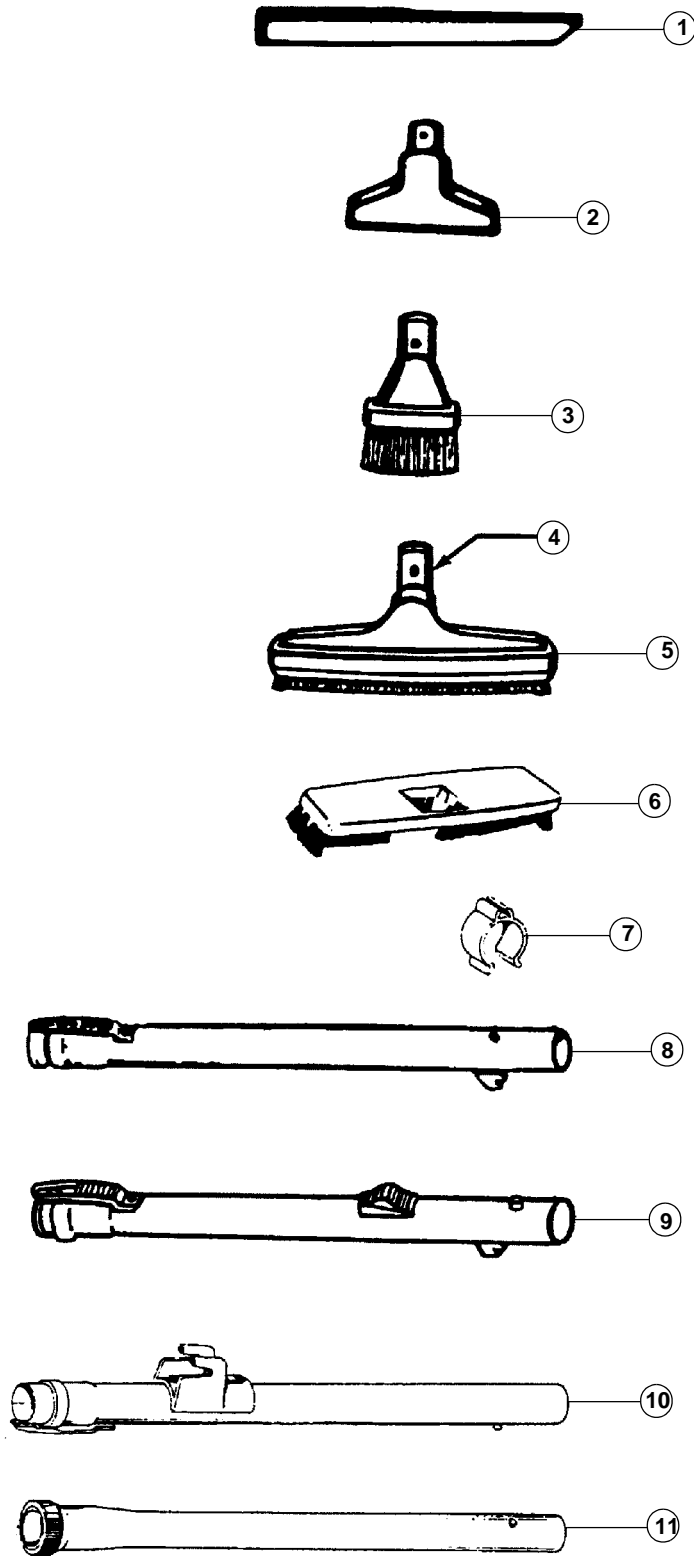
ITEM	PART NUMBER	MODELS TO FIT	PART DESCRIPTION	LIST COST
1	43433110	S3639	HOSE ASSEMBLY / 2 WIRE - BLACK	113.39
2	36153038	S3639	HOSE RELEASE LATCH	1.46
3	39461018	S3639	HOSE GRIP - RIGHT	4.53
4	21447124	S3639	SCREW	N.A.
5	27613002	S3639	SPLICE	1.12
	31712006	S3639	INSULATING SLEEVE	.57
6	36131087	S3639	RETAINING RING	N.L.A.
7	018972--	S3639	TERMINAL INSULATED	.89
8	36913030	S3639	INSULATOR	N.A.
9	39461017	S3639	HOSE GRIP - LEFT	4.53
10	47551031	S3639	GRIP CONTROL PANEL	18.13
	51375132	S3639	NAME PLATE - GRIP CONTROL	N.A.
11	36153029	S3639	LATCH RING	1.12
12	38646081	S3639	INNER TUBE	4.86
13	46526004	S3639	CONNECTOR	5.43
14	36152029	S3639	PLUG LATCH	1.12
	40300051	S3639	CORD REPAIR KIT - 2 WIRE	N.L.A.



ASSEMBLY SCHEMATIC

MODEL NO.

S3630  
S3639





18

PART LISTING / PRICE LIST

MODEL No.

S3630  
S3639

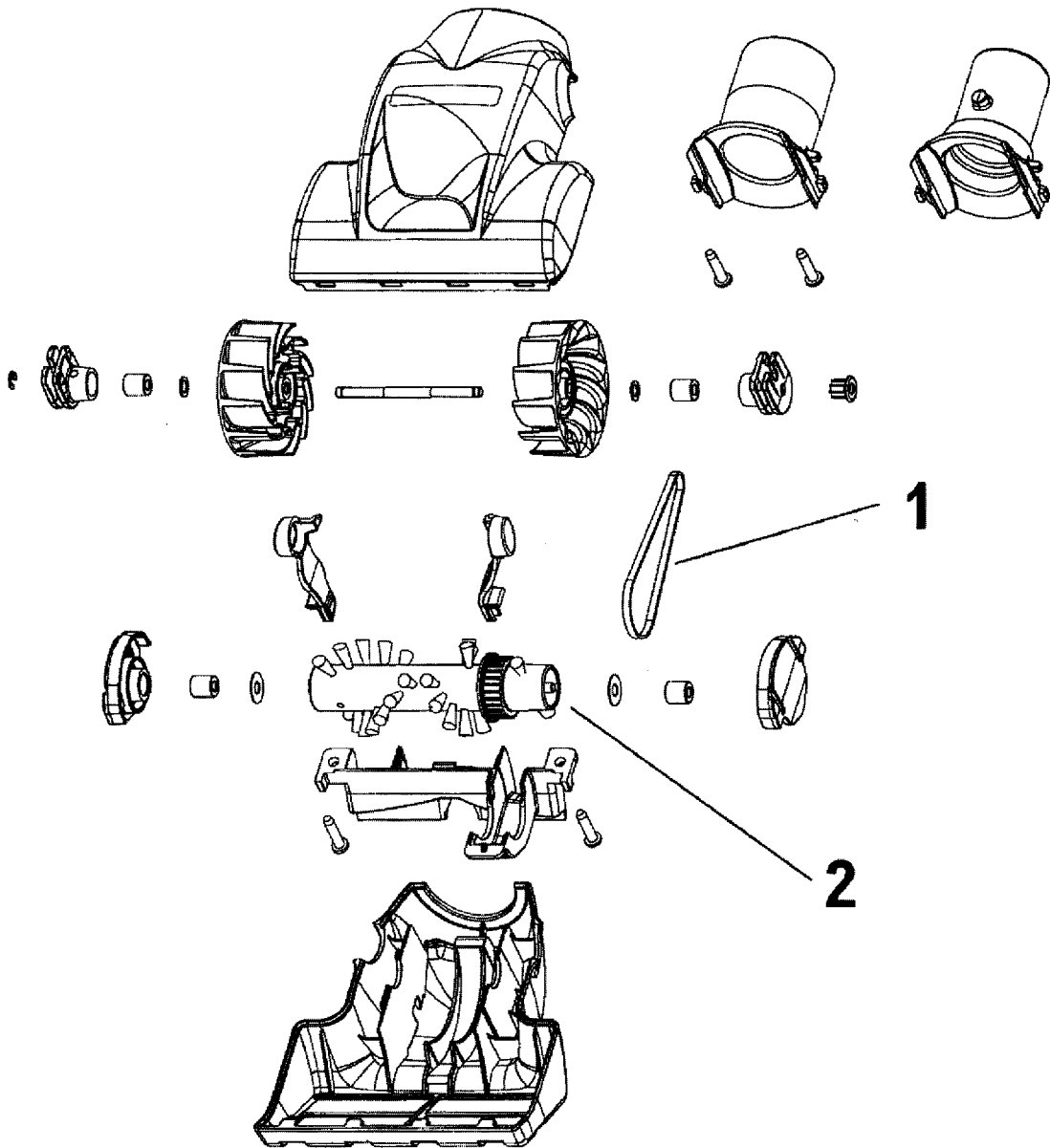
ITEM	PART NUMBER	MODELS To FIT	PART DESCRIPTION	LIST COST
1	38617017	S3630, S3639	CREVICE TOOL - 7" BLACK	3.39
2	43414057	S3630, S3639	FURNITURE NOZZLE - BLACK	6.79
3	43414064	S3630, S3639	DUSTING BRUSH	6.83
4	38644020	S3630, S3639	SWIVEL CONNECTOR	2.82
5	43414073	S3630, S3639	FLOOR BRUSH - BLACK	14.73
6	48447001	S3630, S3639	BRUSH BACK	6.79
7	36172584	S3630, S3639	CORD / WAND CLIP	N.A.
8	43453052	S3630, S3639	EXTENSION TUBE 20" - CHROMIUM PLATED	26.07
	43453027	S3630, S3639	EXTENSION TUBE	22.67
9	43453023	S3630, S3639	EXTENTION TUBE - CHROMIUM PLATED	29.47
10	43453095	S3630	EXTENSION TUBE 20" - CHROMIUM PLATED	28.34
	43453098	S3630	EXTENSION TUBE WITH GREY STORAGE CLIP	28.34
	43453099	S3630, S3639	EXTENSION TUBE WITH BLACK STORAGE CLIP	28.34
11	3863801P	S3630, S3639	EXTENTION TUBE	6.79



ASSEMBLY SCHEMATIC

MODEL NO.

S3630  
S3639





18

PART LISTING / PRICE LIST

MODEL No.

S3630  
S3639

ITEM	PART NUMBER	MODELS To FIT	PART DESCRIPTION	LIST COST
1	38528037	S3630, S3639	TURBINE BELT	5.24
2	48414088	S3630, S3639	TURBINE AGITATOR / BRUSH ROLL	18.13
	048495AY	S3630, S3639	THREAD GUARD - LEFT	3.39
	43267002	S3630, S3639	AGITATOR / BRUSH ROLL BEARING	2.59
	21347003	S3630, S3639	CONICAL WASHER	1.12
	36422001	S3630, S3639	AGITATOR / BRUSH ROLL END	2.26
	41435018	S3630, S3639	THREAD GUARD	6.79
	38537008	S3630, S3639	END PULLEY	N.L.A.
	48418001	S3630, S3639	BRUSH RING	4.86
	31722019	S3630, S3639	SPACER	1.12
	32724005	S3630, S3639	AGITATOR / BRUSH ROLL SHAFT	4.86
	38632012	S3630, S3639	CONNECTOR	1.12
	40200013	S3630, S3639	TURBINE HAND TOOL	9.95 NON DISC
	49129009	S3639	TURBINE HAND TOOL	40.81