



SteamVac™

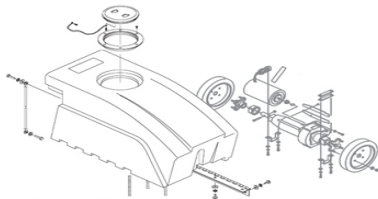
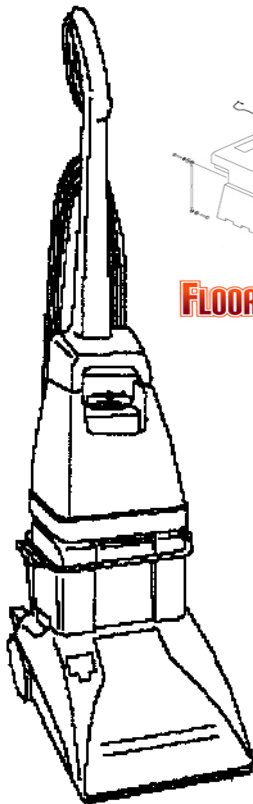


SteamVac™
with
CLEAN
SURGE™

15

SteamVac™
agility STEAM VAC™
DUAL V™

STEAM VAC™
ALL TERRAIN



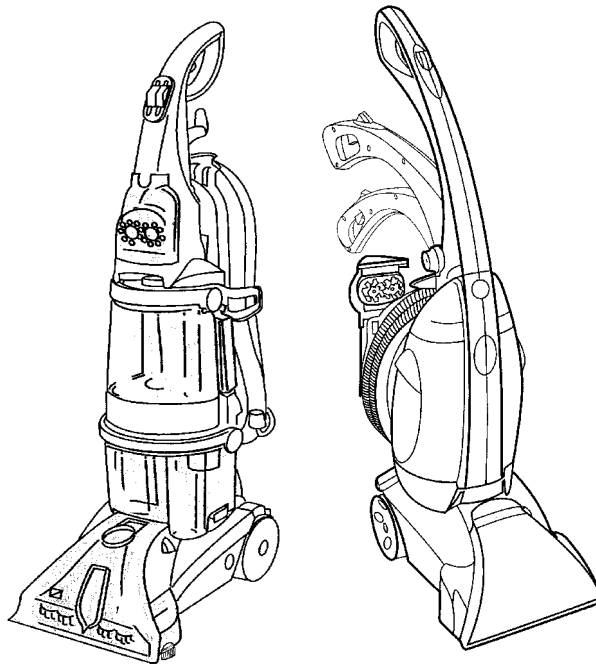
FLOOR-EQUIPMENT-PARTS.COM

SECTION CONTENTS

<u>MODEL No.</u>	<u>PAGE No.</u>
F5810	15-2 THRU 15-4
F5914-900	15-5 THRU 15-9
F5915-900	15-5 THRU 15-9
F5917-900	15-5 THRU 15-9
F5918-900	15-5 THRU 15-9
FH50045	15-5 THRU 15-9
F6207-900	15-10 THRU 15-15
F6212-900	15-10 THRU 15-15
F6215-900	15-10 THRU 15-15
F7222-900	15-16 THRU 15-24
F7452-900	15-16 THRU 15-24

MODEL No.

F5810
F5914-900
F5915-900
F5917-900
F5918-900
F6207-900
F6212-900
F6215-900
F7222-900
F7452-900
FH50045



* PRICING, SPECIFICATION'S, AND PRODUCT AVAILABILITY ARE SUBJECT TO CHANGE WITHOUT NOTICE. PRICING IS FOB FACTORY, CANTON, OH

* ALL INFORMATION CONTAINED WITHIN THIS SERVICE MANUAL IS PROPRIETARY INFORMATION OF TTI FLOOR CARE NORTH AMERICA.

* **WARNING:** TO REDUCE THE RISK OF ELECTRICAL SHOCK OR INJURY, ALWAYS DISCONNECT THE APPLIANCE CORD FROM THE ELECTRICAL OUTLET OR REMOVE BATTERY PRIOR TO SERVICING THE UNIT.



SteamVac

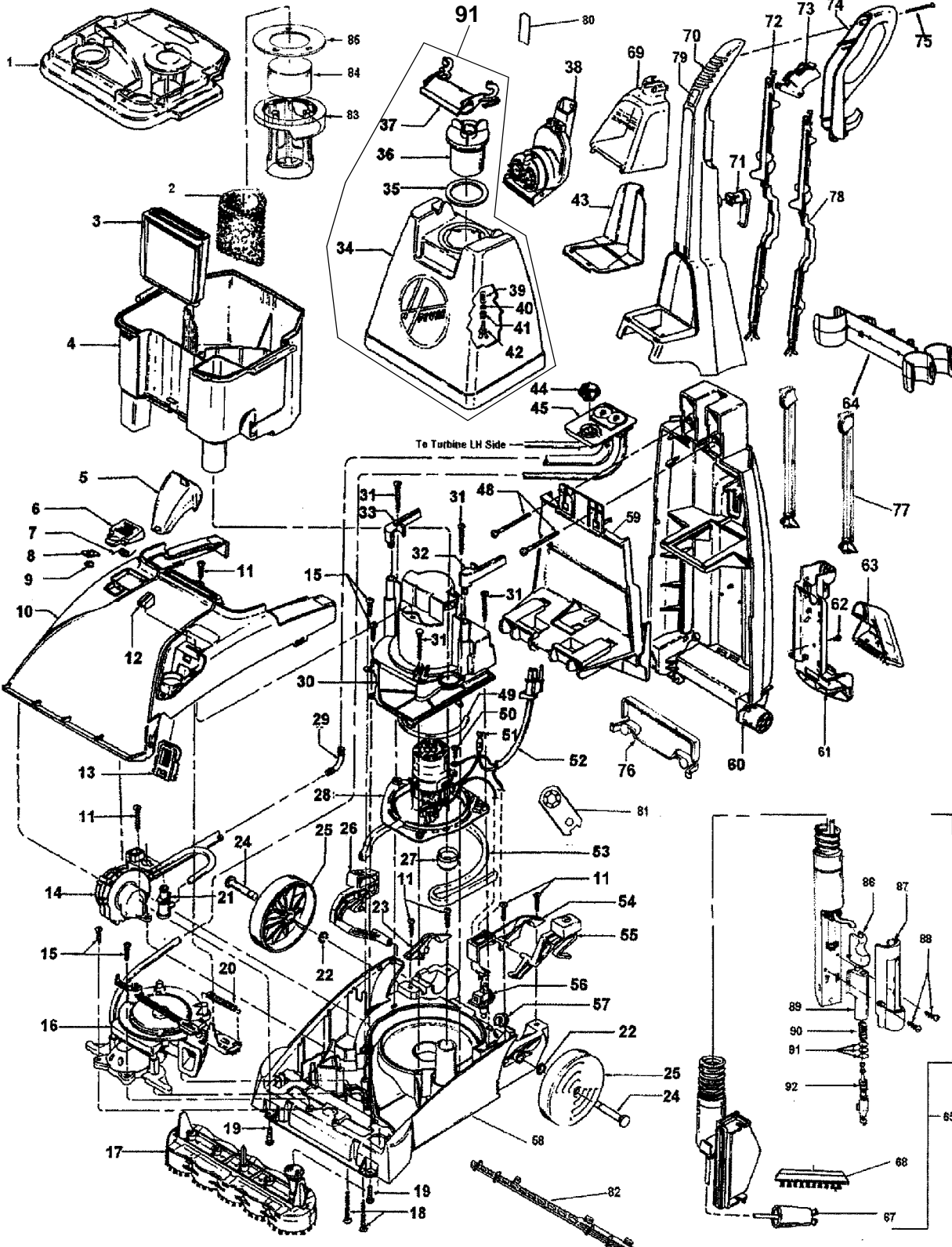
SpinScrub
The Multiple Brush System only from Hoover



SteamVac
with
CLEAN
SURGE™

15

ASSEMBLY SCHEMATIC



MODEL NO.

F5914-900

F5915-900

F5917-900

FH50045



SteamVac

SpinScrub
The Multiple Brush System only from Hoover



SteamVac

with
CLEAN SURGE™

15

PART LISTING / PRICE LIST

ITEM	PART NUMBER	MODELS TO FIT	PART DESCRIPTION	LIST COST
1	42272111	F5914900, F5918900	RECOVERY TANK LID WITH FILTER	34.01
	42272146	F5915900, F5917900, FH50045	RECOVERY TANK LID WITH FILTER	PENDING
2	90001398	ALL	TANK FILTER	4.19
3	38661004	ALL	DUCT	2.94
4	38777081	F5914900, F5918900	RECOVERY TANK COMPLETE	49.67
	38777087	F5915900, F5917900	RECOVERY TANK COMPLETE	PENDING
	38777106	FH50045	RECOVERY TANK COMPLETE	PENDING
5	39383106	ALL	LENS	2.82
6	37257307	F5914900	HOSE ACCESS DOOR - PATRIOT BLUE	3.39
	37257321	F5915900	HOSE ACCESS DOOR - BERMUDA BLUE	N.A.
	37257297	F5917900, FH50045	HOSE ACCESS DOOR - BLACK	3.39
	37257326	F5918900	HOSE ACCESS DOOR - WINTER GREEN	N.A.
7	38351017	ALL	ACCESS DOOR SPRING	1.12
8	38783021	ALL	SEAL	1.54
9		ALL	SPEED NUT	N.A.
10	37271110	F5914900	NOZZLE / HOOD - PATRIOT BLUE	31.04
	37271143	F5915900	NOZZLE / HOOD - BERMUDA BLUE	PENDING
	37271160	F5917900, FH50045	NOZZLE / HOOD - BLACK	PENDING
	37271167	F5918900	NOZZLE / HOOD - WINTER GREEN	N.A.
11	21447020	ALL	SCREW	.57
12	38421127	ALL	INDICATOR KNOB	.88
13	43613009	ALL	SCREEN ASSEMBLY	2.59
14	43582018	ALL	PUMP ASSEMBLY COMPLETE	16.43
15	21447217	ALL	SCREW - SELF TAPPING	1.12
16	90001356	ALL	TURBINE AND GEAR ASSMBLY - 5 BRUSH	34.01
17	48437022	ALL	BRUSH BLOCK - 5 BRUSH	27.21
18	21479438	ALL	SCREW	1.12
19	21447072	ALL	SCREW	.57
20	38333009	ALL	SPRING	1.12
21	43523004	ALL	QUICK DISCONNECT ASSEMBLY	5.24
22	160017--	ALL	LOCK RING	.58
23	36131085	F5914900	TRUNNION COVER - RIGHT	2.26
	36131124	F5915900, F5917900, F5918900, FH50045	TRUNNION COVER - RIGHT MAG GRAY	PENDING
24	32434007	ALL	REAR AXLE	1.12
25	38522091	ALL	REAR WHEEL	1.47

MODEL No.

F5914-900
F5915-900
F5917-900
F5918-900
FH50045



SteamVac

SpinScrub
The Multiple Brush System only from Hoover



SteamVac

with
CLEAN
SURGE™

15

PART LISTING / PRICE LIST

MODEL No.

ITEM	PART NUMBER	MODELS TO FIT	PART DESCRIPTION	LIST COST
26	38458042	ALL	HANDLE RELEASE LEVER	4.07
27	38784063	ALL	STANDPIPE SEAL	3.39
28	43576197	F5914900	MOTOR ASSEMBLY	80.99
	27212074	F5915900, F5917900, F5918900, FH50045	MOTOR ASSEMBLY	56.39
29	33241001	ALL	ELBOW CONNECTOR	2.26
30	40309027	F5914900	MOTOR COVER	21.54
	37196190	F5915900, F5917900, F5918900, FH50045	MOTOR COVER	9.63
31	21447232	ALL	SCREW - SELF TAPPING	.57
32	90001229	ALL	TANK RELEASE LATCH - LEFT MAG GRAY	2.26
33	90001228	ALL	TANK RELEASE LATCH - RIGHT MAG GRAY	2.26
34	42272134	ALL	SOLUTION TANK WITH CAP	34.01
35	38784062	ALL	GASKET	1.46
36	90001288	ALL	CAP ASSEMBLY - BLACK	1.69
37	39457053	ALL	SOLUTION TANK HANDLE	2.17
38	48439002	F5914900 (ALL)	TURBINE NOZZLE WITH RELEASE	56.69
39	38312014	ALL	SPRING	1.12
40		ALL	VALVE RING	N.A.
41	38784061	ALL	VALVE SEAL	1.12
42	38717009	ALL	VALVE STEM	2.26
43	36433212	ALL	TOOL HOLDER	1.89
44	38784060	ALL	SOLUTION TANK SEAL	1.46
45	43526018	ALL	RESERVOIR REGULATOR	8.93
46	40309002	ALL	TUBING	3.73
48	40201245	ALL	HANDLE HARDWARE ASSEMBLY	2.94
49	34113004	ALL	MOTOR SEAL	1.12
50		ALL	SCREW	N.A.
51	012227--	ALL	TERMINALS	.79
52	93002227	ALL	POWER CORD - 24'	14.16
53	38781048	ALL	MOTOR BASE SEAL	2.59
54	36131086	F5914900	TRUNNION COVER - LEFT	2.94
	36131125	F5915900, F5917900, F5918900, FH50045	TRUNNION COVER - LEFT MAG GRAY	.93
55	38434025	ALL	SWITCH ACTUATOR LEVER	3.39
56	28218061	ALL	SWITCH	2.80
57	90001281	ALL	CORD RETAINER - BLACK	.85

F5914-900
F5915-900
F5917-900
F5918-900
FH50045



SteamVac

SpinScrub
The Multiple Brush System only from Hoover



SteamVac

with
CLEAN
SURGE™

15

PART LISTING / PRICE LIST

ITEM	PART NUMBER	MODELS TO FIT	PART DESCRIPTION	LIST COST
58	42274005	F5914900	NOZZLE BASE ASSEMBLY	21.54
	37272117	F5915900, F5917900, F5918900, FH50045	NOZZLE BASE ASSEMBLY - MAG GRAY	18.48
59	37276022	F5914900	HANDLE COVER	10.20
	37276037	F5915900, F5917900, F5918900, FH50045	HANDLE COVER - MAGNESIUM GRAY	PENDING
60	39466114	F5914900, F5915900	LOWER HANDLE ASSEMBLY	47.07
	39466127	F5917900, F5918900, FH50045	LOWER HANDLE ASSEMBLY	PENDING
61	90001346	ALL	LOWER TOOL HOLDER	4.86
62	21447041	ALL	SCREW	.58
63	38613040	ALL	NOZZLE BODY WITH BRUSH	9.30
64	36433219	ALL	UPPER HOSE HOLDER	2.22
65	90001336	F5914900	COMPLETE HOSE ASSEMBLY	56.69
	43491075	F5915900, F5917900, F5918900, FH50045	COMPLETE HOSE ASSEMBLY	PENDING
66	38613040	ALL	NOZZLE BODY WITH BRUSH	9.30
67	43513010	ALL	CONNECTOR COUPLER	3.73
68	48445003	ALL	BRUSH BLOCK ASSEMBLY - HOSE TOOL	1.54
69	37276011	ALL	TOOL COVER	4.86
70	39466113	F5914900, F5915900	UPPER HANDLE	27.54
	39466130	F5917900, F5918900, FH50045	UPPER HANDLE - MAGNESIUM GRAY	27.54
71	39442043	F5914900	CORD WRAP	2.03
	39442048	F5915900, F5917900, F5918900, FH50045	CORD WRAP - MAGNESIUM GRAY	1.14
72	38458056	ALL	CONTROL ROD - UPPER	3.73
73	38434029	ALL	CONTROL LEVER	2.03
74	39458007	F5914900	UPPER HANDLE LEVER GUARD	6.79
	39458060	F5915900, F5917900, F5918900, FH50045	UPPER HANDLE LEVER GUARD - MAG GRAY	2.66
75	21447255	ALL	SCREW - SELF TAPPING	1.12
76	37276035	ALL	SOLUTION TUBE COVER	.70
77	38458033	ALL	CONTROL ROD - LOWER	1.46
78	38458055	ALL	CONTROL ROD - UPPER BACK	3.73
79	38433079	ALL	SOLUTION BUTTON	1.12
80	51639165	ALL	LABEL - CLEAN SURGE	5.09
81	36132004	ALL	TUBING RETAINER	1.12

MODEL No.

F5914-900
F5915-900
F5917-900
F5918-900
FH50045



SteamVac

SpinScrub
The Multiple Brush System only from Hoover



SteamVac

with
**CLEAN
SURGE™**

15

PART LISTING / PRICE LIST

ITEM	PART NUMBER	MODELS TO FIT	PART DESCRIPTION	LIST COST
82	38769028	ALL	EXHAUST DUCT	2.59
83	38719027	ALL	FLOAT RETAINER	2.59
84	43538001	ALL	FLOAT ASSEMBLY	3.73
85	38784070	ALL	FLOAT RETAINER SEAL	2.59
86	38433074	ALL	TRIGGER	1.12
87	37276006	ALL	WAND COVER	1.12
88	21447239	ALL	SCREW	.57
89	91001060	ALL	WAND VALVE ASSEMBLY - LARGER NIPPLE	1.69
90	38312019	ALL	SPRING	1.12
91	42272134	ALL	SOLUTION TANK WITH CAP	34.01
	43412007	ALL	NOZZLE/VALVE ASSEMBLY	4.53
	51638055	ALL	LABEL - HANDLE RELEASE	.89
	51639124	F5914900	LABEL - DOOR	1.12
	51639196	F5915900, F5917900, F5918900, FH50045	LABEL - DOOR	PENDING
	51855030	F5914900	LABEL - SPEED ACTUATOR	4.01
	51639192	F5915900, F5917900, F5918900, FH50045	LABEL - BRUSH SPEED	2.26
	51865024	ALL	LABEL - ON/OFF	.89
	49811079	ALL	LEAD WIRE - WHITE	1.12
	49811080	ALL	LEAD WIRE - PURPLE	1.12
	49811081	ALL	LEAD WIRE - RED	1.12
	57333023	F5914900 (ALL)	CARPET CLEANING SOLUTION 16 OZ	2.59 NON DISC
	40301448	F5914900 (ALL)	DETERGENT 32 OZ	7.14 NON DISC
	40322016	F5914900 (ALL)	PRE-CLEANER 16 OZ	2.74 NON DISC
	40311048	F5917900, FH50045 (ALL)	CARPET / UPHOLSTERY DETERGENT CLEANING SOLUTION 48 OZ	5.76
	40301432	FH50045 (ALL)	ULTRA DETERGENT 32 OZ	PENDING
	40303037	FH50045 (ALL)	FLOOR DETERGENT 32 OZ	PENDING
	43412003	FH50045 (ALL)	SPRAYER	3.39
	90001331	FH50045 (ALL)	SPRAYER	6.23
	57335024	F5918900 (ALL)	PREMIUM PET DETERGENT	PENDING

MODEL No.

F5914-900
F5915-900
F5917-900
F5918-900
FH50045