



Floor MATE™ FloorMate



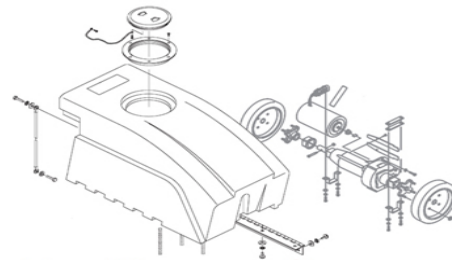
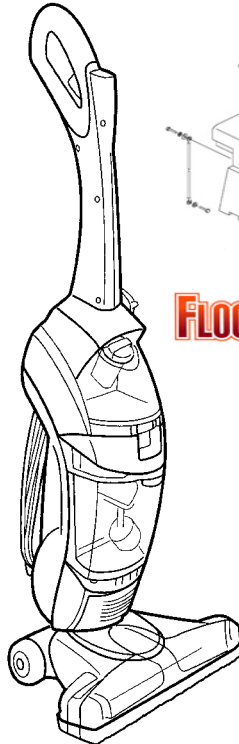
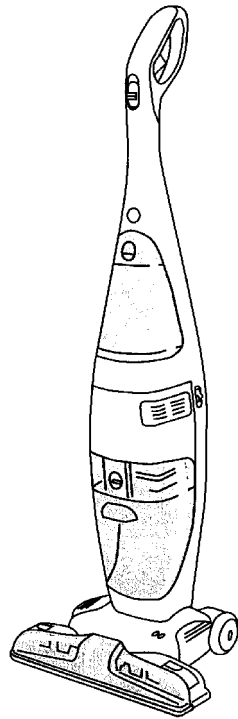
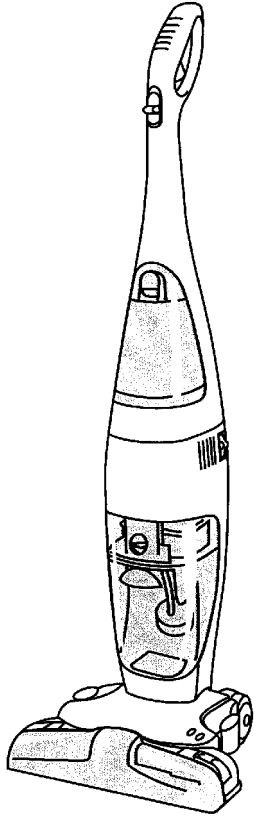
12

SECTION CONTENTS

<u>MODEL NO.</u>	<u>PAGE NO.</u>
H2800	12-2 THRU 12-6
H2850	12-7 THRU 12-12
H3000	12-13 THRU 12-20
H3030	12-19 THRU 12-26
H3032	12-19 THRU 12-26
H3040	12-27 THRU 12-34
H3044	12-27 THRU 12-34
H3045	12-27 THRU 12-34
H3050	12-35 THRU 12-44
H3060	12-35 THRU 12-44

MODEL No.

- H2800
- H2850
- H3000
- H3030
- H3032
- H3040
- H3044
- H3045
- H3050
- H3060



FLOOREQUIPMENTPARTS.COM

- * PRICING, SPECIFICATION'S, AND PRODUCT AVAILABILITY ARE SUBJECT TO CHANGE WITHOUT NOTICE. PRICING IS FOB FACTORY, CANTON, OH
- * ALL INFORMATION CONTAINED WITHIN THIS SERVICE MANUAL IS PROPRIETARY INFORMATION OF TTI FLOOR CARE NORTH AMERICA.
- * **WARNING:** TO REDUCE THE RISK OF ELECTRICAL SHOCK OR INJURY, ALWAYS DISCONNECT THE APPLIANCE CORD FROM THE ELECTRICAL OUTLET OR REMOVE BATTERY PRIOR TO SERVICING THE UNIT.

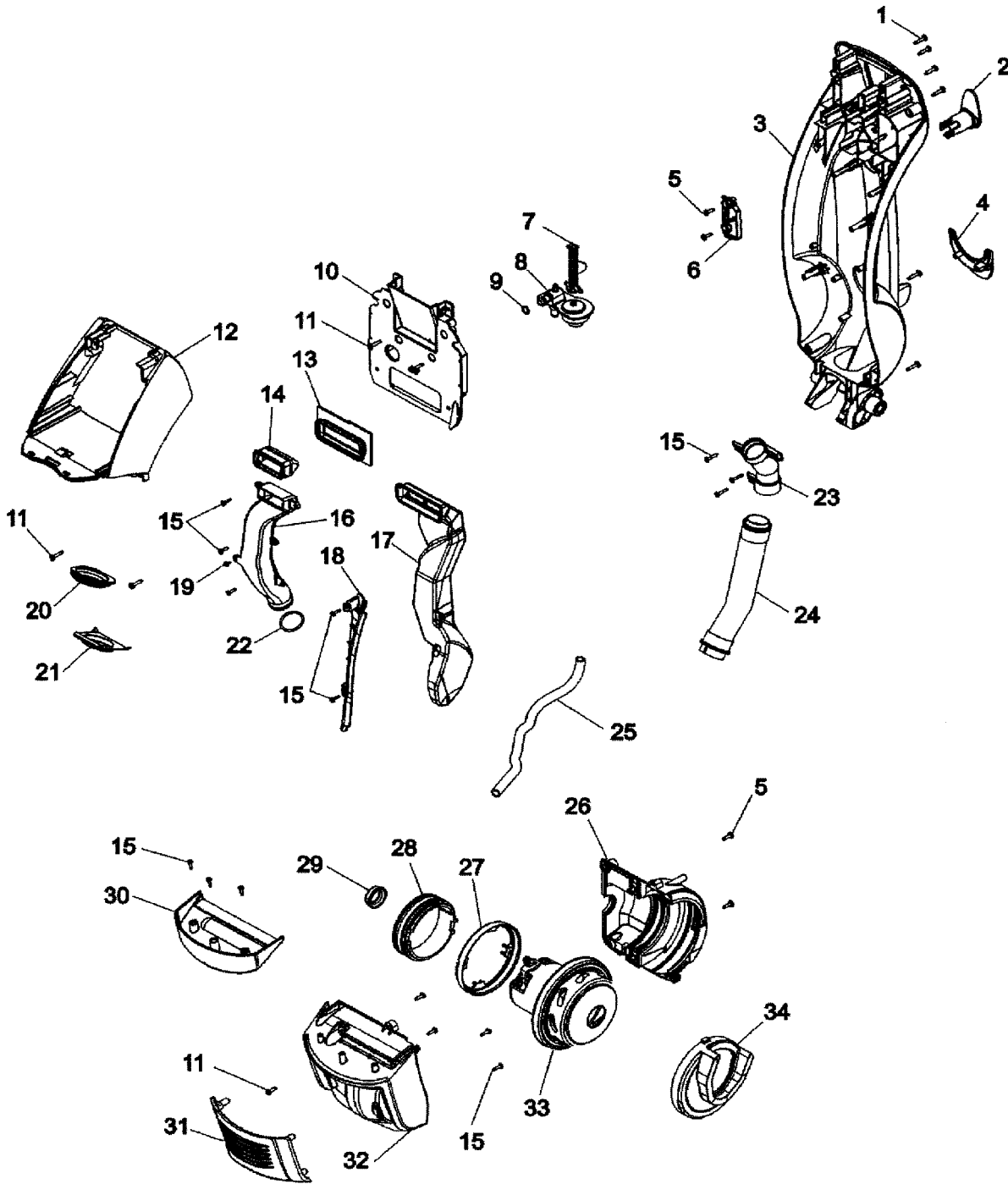


12

ASSEMBLY SCHEMATIC

MODEL NO.

H2850





12

PART LISTING / PRICE LIST

MODEL No.

H2850

ITEM	PART NUMBER	MODELS TO FIT	PART DESCRIPTION	LIST COST
1	93001736	H2850	SCREW #8 x 12.75"	.57
2	93001130	H2850	UPPER CORD WRAP	1.13
3	93001989	H2850	TANK HOUSING	16.43
4	93001131	H2850	LOWER CORD HOOK	1.13
5	93001733	H2850	SCREW #8 x 12.5"	.57
6	93001127	H2850	CORD RETAINER	.57
	93002309	H2850	POWER CORD	N.L.A.
7	93001161	H2850	CONTROL ROD LOWER	.57
8	93001829	H2850	RESERVOIR ASSEMBLY	7.31
9	93001155	H2850	O-RING	.57
10	93001990	H2850	HANDLE RETAINER	3.39
11	93001736	H2850	SCREW #8 x 12.75"	.57
12	93001988	H2850	SOLUTION TANK SUPPORT	6.23
13	93001174	H2850	SEAL - SUCTION DUCT	1.13
14	93001175	H2850	SEAL - RECOVERY DUCT	1.13
15	93001734	H2850	SCREW #6 x 10.5"	.57
16		H2850	RECOVERY DUCT	N.A.
17	93001167	H2850	SUCTION DUCT	3.96
18		H2850	CORD COVER - TANK HOUSING	N.A.
19	93001735	H2850	SCREW #6 x 24-3/8"	.57
20	93001743	H2850	SEAL	1.12
21	93001995	H2850	RECOVERY SEAL PLATE	1.12
22		H2850	RING RECOVERY DUCT	N.A.
23	93001987	H2850	HOSE CONNECTOR	1.12
24	93001192	H2850	HOSE ASSEMBLY	4.53
25	93001165	H2850	TUBING - 28"	1.13
26	93001173	H2850	MOTOR COVER - REAR	5.09
27	93001186	H2850	MOTOR RETAINER SEAL	1.13
28	93001185	H2850	MOTOR MOUNT SEAL	2.82
29	93001184	H2850	END BEARING	.57
30	93001200	H2850	MOTOR COVER CAP	2.59
31	93001194	H2850	MOTOR COVER VENT	1.46
32	93001193	H2850	MOTOR COVER	4.53
33	93001828	H2850	MOTOR ASSEMBLY	68.03
34	93001190	H2850	MOTOR FAN SEAL	4.53

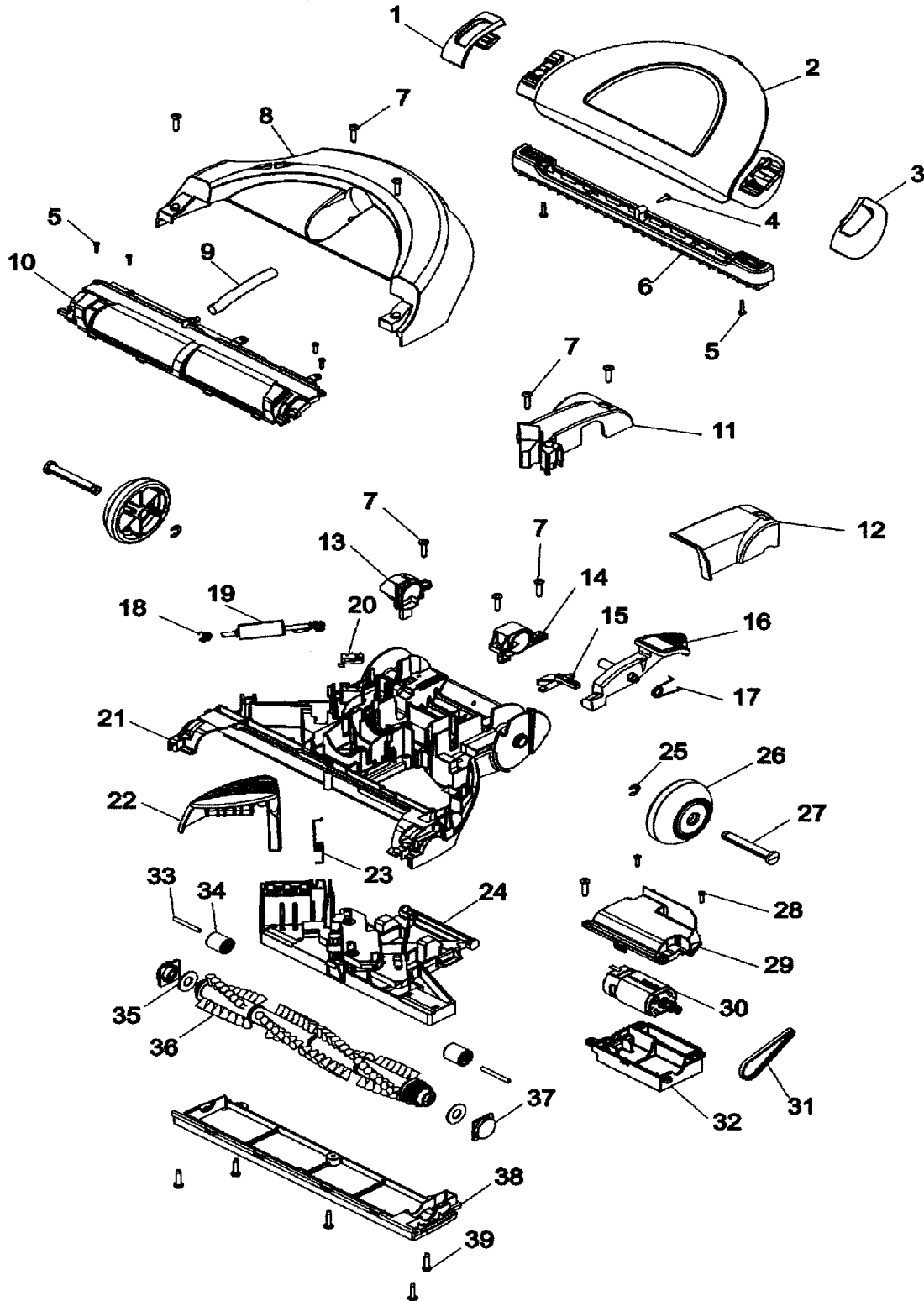


12

ASSEMBLY SCHEMATIC

MODEL NO.

H2850





12

PART LISTING / PRICE LIST

MODEL No.

H2850

ITEM	PART NUMBER	MODELS TO FIT	PART DESCRIPTION	LIST COST
1	93001984	H2850	NOZZLE LATCH - RIGHT	1.12
2	93001981	H2850	NOZZLE ASSEMBLY	14.16
3	93001983	H2850	NOZZLE LATCH - LEFT	1.12
4	93001741	H2850	SCREW #6 x 10-7/16" TOREX	.57
5	93001742	H2850	SCREW #6 x 10-3/4"	.57
6	93001982	H2850	SQUEEGEE OVERMOLDED	9.06
7	93001736	H2850	SCREW #8 x 12-3/4"	.57
8	93001994	H2850	HOOD / NOZZLE COVER	5.66
9		H2850	TUBING PROTECTOR JACKET	N.A.
10	93001978	H2850	DISTRIBUTOR ASSEMBLY	10.99
11	93001993	H2850	HOOD / REAR COVER - RIGHT	2.26
12	93001039	H2850	HOOD / REAR COVER - LEFT	1.69
13	93001056	H2850	TRUNNION COVER - RIGHT	.57
14	93001055	H2850	TRUNNION COVER - LEFT	.57
15	93001050	H2850	HANDLE RELEASE	.89
16	93001046	H2850	HANDLE RELEASE PEDAL	2.03
17	93001049	H2850	SPRING HANDLE RELEASE PEDAL	.57
18		H2850	SPRING - TENSION MODE INDICATOR	N.A.
19		H2850	MODE INDICATOR	N.A.
20		H2850	SWITCH - MODE CONTROL	N.A.
21	93001992	H2850	MAIN BODY / NOZZLE BASE	20.40
22		H2850	CONTROL PEDAL	N.A.
23		H2850	SPRING - CONTROL PEDAL	N.A.
24	93001979	H2850	FRONT WHEEL CARRIAGE ASSEMBLY	12.80
25	59177088	H2850	LOCK RING	.57
26	93001060	H2850	REAR WHEEL ASSEMBLY	2.82
27	93001059	H2850	REAR WHEEL AXLE	1.46
28	93001740	H2850	SCREW 36 x 10-3/4"	.57
29	93002001	H2850	AGITATOR MOTOR HOUSING - UPPER	2.03
30	93002005	H2850	MOTOR AGITIATOR DRIVE	28.34
31	93002000	H2850	AGITATOR DRIVE BELT	2.61
32	93002002	H2850	AGITATOR MOTOR HOUSING - LOWER	2.03
33	93001065	H2850	FRONT WHEEL SHAFT	.57
34		H2850	FRONT WHEEL OVERMOLDED	N.A.
35	93002008	H2850	WASHER - THRUST AGITATOR	.57
36	93001985	H2850	AGITATOR ASSEMBLY	25.50
37	93002007	H2850	THREAD GUARD	1.12
38	93002009	H2850	BOTTOM PLATE / NOZZLE GUARD	2.26
39	93001733	H2850	SCREW #8 x 12-1/2"	.57

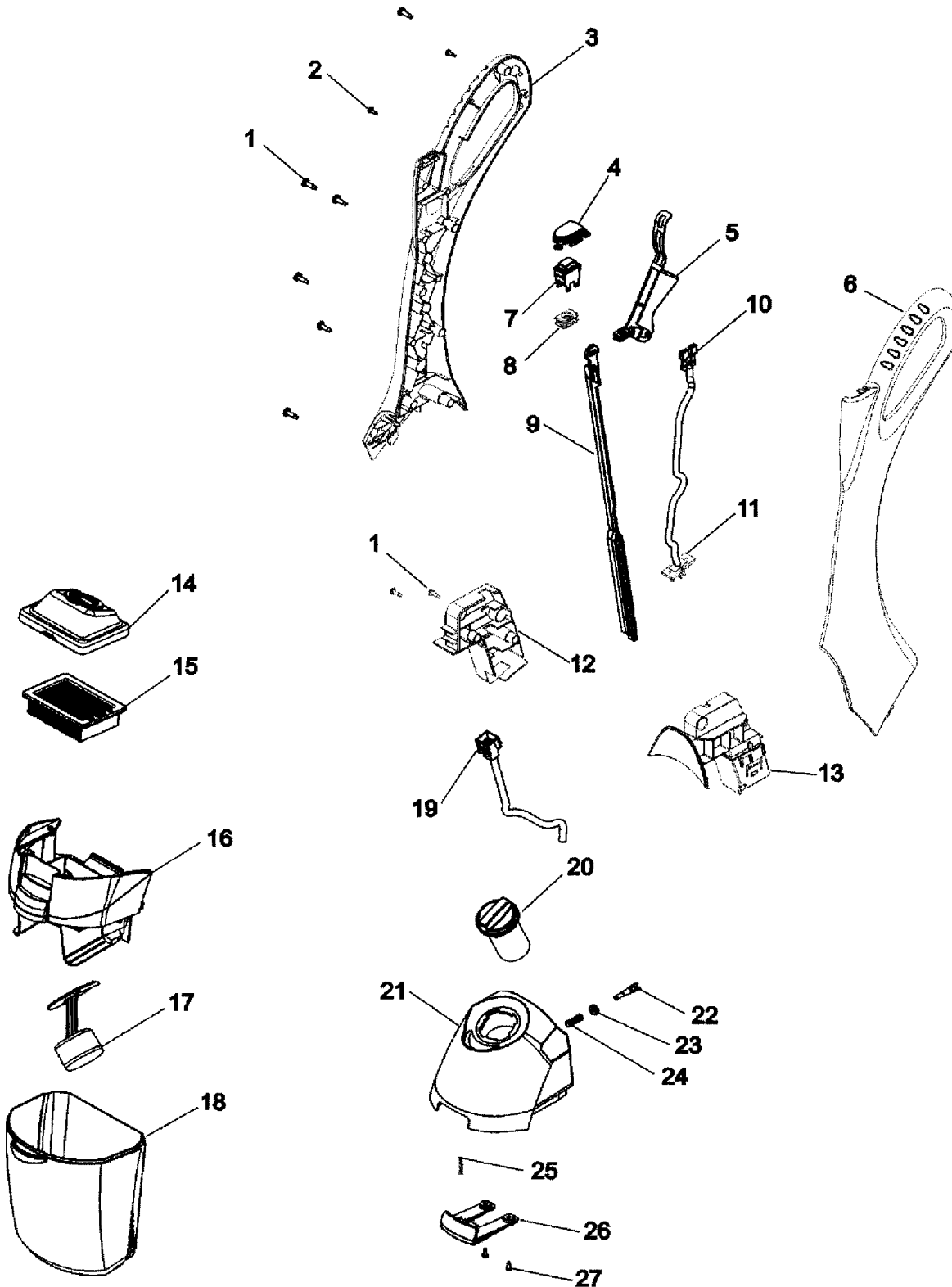


12

ASSEMBLY SCHEMATIC

MODEL NO.

H2850





12

PART LISTING / PRICE LIST

MODEL No.

H2850

ITEM	PART NUMBER	MODELS TO FIT	PART DESCRIPTION	LIST COST
1	93001733	H2850	SCREW #8 x 12-1/2"	.57
2	93001734	H2850	SCREW #6 x 10-1/2"	.57
3	93001967	H2850	UPPER HANDLE - RIGHT	10.20
4	93001969	H2850	SWITCH BOOT	2.03
5	93001109	H2850	CONTROL LEVER	1.13
6	93001966	H2850	UPPPER HANDLE - LEFT	10.66
7	93001972	H2850	SWITCH - DOUBLE POLE/TAPE	5.66
8	93001968	H2850	UPPER GROMMET	.85
9	93001110	H2850	UPPER CONTROL ROD	1.42
10		H2850	TERMINAL - MALE	N.A.
11		H2850	QUICK CONNECT RECEPTACLE	N.A.
12		H2850	UPPER HANDLE CORE - LEFT	N.A.
13	93001974	H2850	UPPER HANDLE CORE - RIGHT	3.96
14	93001179	H2850	FILTER LID	1.46
15	40112050	H2850	TANK FILTER (1 PER)	4.99 NON DISC
16	93002063	H2850	RECEIVING TANK LID ASSEMBLY	17.00
17	93001183	H2850	FLOAT - HINGED SIDE	2.59
18	93002062	H2850	RECEIVING TANK ASSEMBLY	19.83
19	93001141	H2850	WIRING HARNESS	3.16
20	59178813	H2850	SOLUTION TANK CAP ASSEMBLY	8.32
21	59178802	H2850	SOLUTION TANK ASSEMBLY	26.07
22	93001148	H2850	VALVE STEM	.57
23	93001149	H2850	VALVE SEAL	.57
24	93001150	H2850	SPRING	.57
25	93001976	H2850	SPRING - SOLUTION TANK LATCH	.57
26	93002040	H2850	LATCH - SOLUTION TANK	1.46
27	93001735	H2850	SCREW #6 x 24-3/8"	.57