



# Floor MATE™ FloorMate

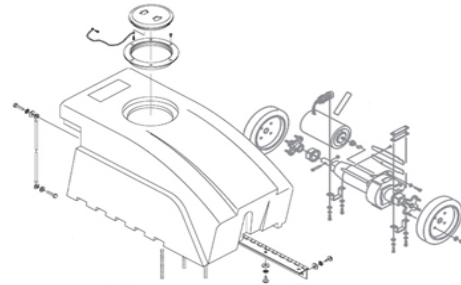
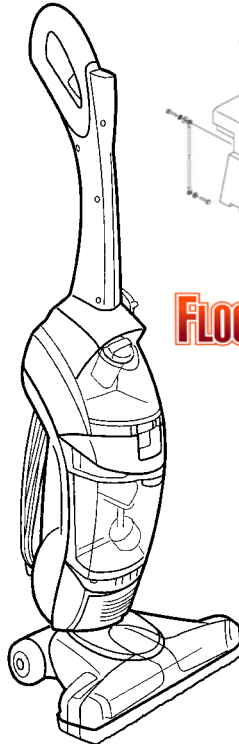
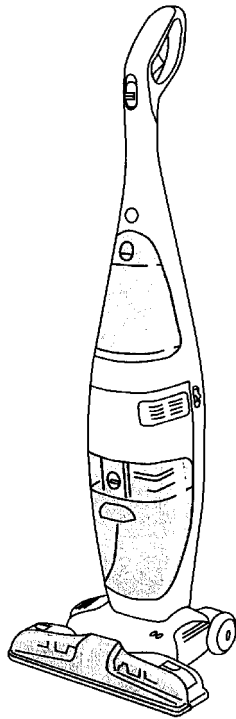
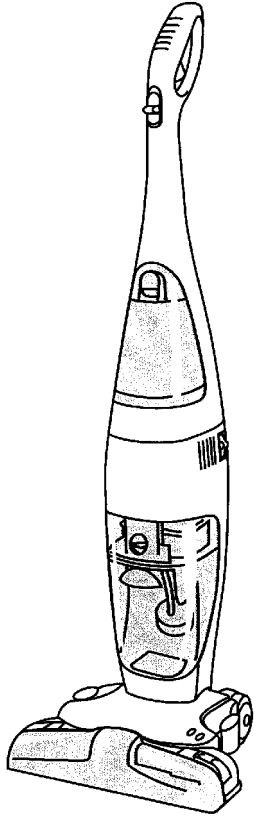


## SECTION CONTENTS

<u>MODEL NO.</u>	<u>PAGE NO.</u>
H2800	12-2 THRU 12-6
H2850	12-7 THRU 12-12
H3000	12-13 THRU 12-20
H3030	12-19 THRU 12-26
H3032	12-19 THRU 12-26
H3040	12-27 THRU 12-34
H3044	12-27 THRU 12-34
H3045	12-27 THRU 12-34
H3050	12-35 THRU 12-44
H3060	12-35 THRU 12-44

## MODEL NO.

- H2800
- H2850
- H3000
- H3030
- H3032
- H3040
- H3044
- H3045
- H3050
- H3060



**FLOOR-EQUIPMENT-PARTS.COM**

- \* PRICING, SPECIFICATION'S, AND PRODUCT AVAILABILITY ARE SUBJECT TO CHANGE WITHOUT NOTICE. PRICING IS FOB FACTORY, CANTON, OH
- \* ALL INFORMATION CONTAINED WITHIN THIS SERVICE MANUAL IS PROPRIETARY INFORMATION OF TTI FLOOR CARE NORTH AMERICA.
- \* **WARNING:** TO REDUCE THE RISK OF ELECTRICAL SHOCK OR INJURY, ALWAYS DISCONNECT THE APPLIANCE CORD FROM THE ELECTRICAL OUTLET OR REMOVE BATTERY PRIOR TO SERVICING THE UNIT.



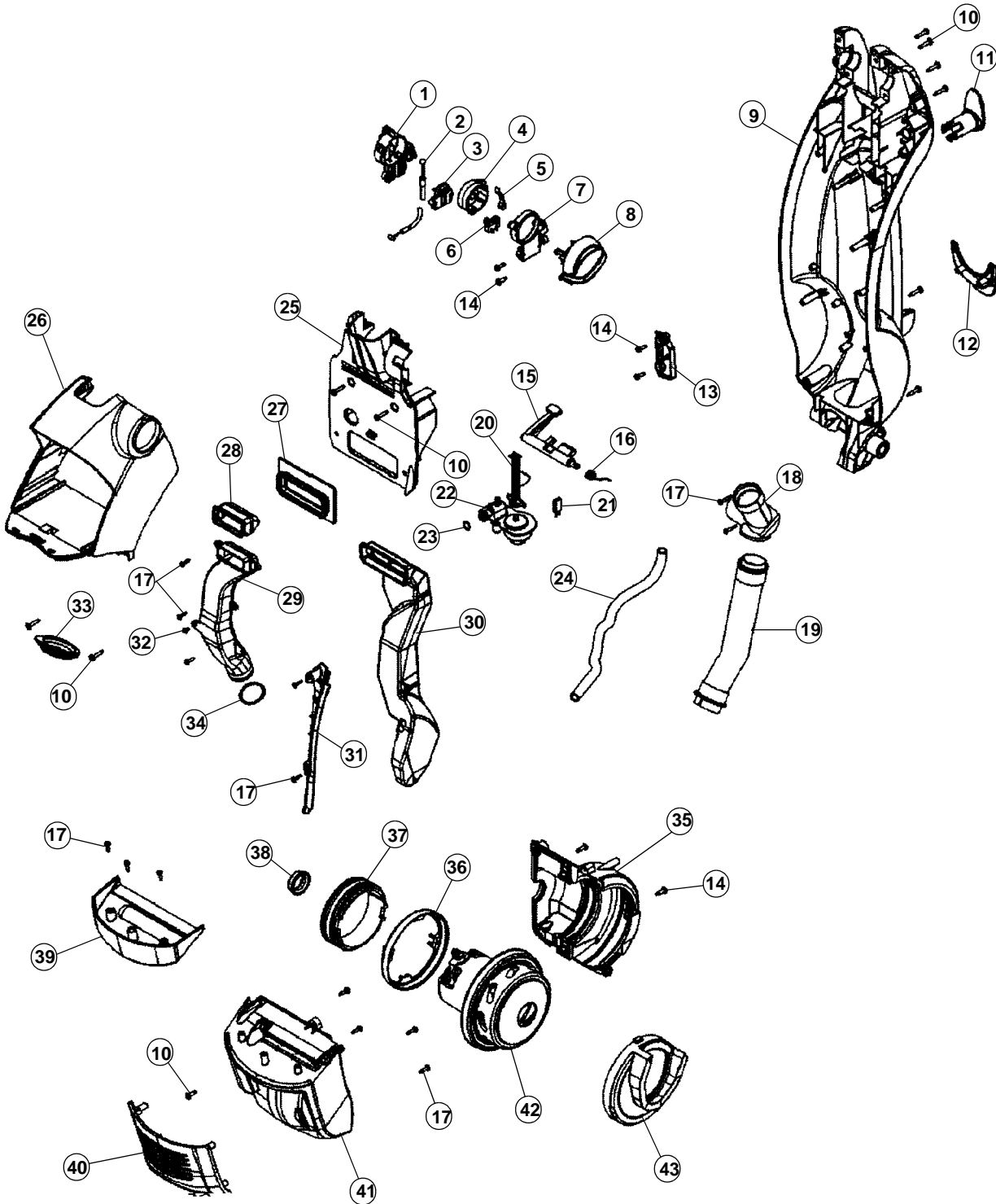
# FloorMate

12

## ASSEMBLY SCHEMATIC

### MODEL NO.

H3040  
H3044  
H3045





# FloorMate

12

## PART LISTING / PRICE LIST

### MODEL No.

H3040  
H3044  
H3045

ITEM	PART NUMBER	MODELS TO FIT	PART DESCRIPTION	LIST COST
1	93001119	H3040, H3044, H3045	BEARING - MODE CONTROL RIGHT	1.13
2	93001120	H3040, H3044, H3045	CABLE - MODE CONTROL	5.09
	93002293	H3040, H3044, H3045	CABLE RETAINER - FOOT	.89
3	93001136	H3040, H3044, H3045	CABLE RETAINER	.57
4	93001121	H3040, H3044, H3045	ACTUATOR - MODE CONTROL	1.13
5	93001122	H3040, H3044, H3045	SPRING - MODE CONTROL	.57
6	59178361	H3040, H3044, H3045	SWITCH - MODE CONTROL	PENDING
7	93001123	H3040, H3044, H3045	BEARING - MODE CONTROL LEFT	1.13
8	59178552	H3040, H3044	KNOB - MODE CONTROL CRYSTAL BLUE	PENDING
	59178907	H3045	KNOB - MODE CONTROL IMPERIAL RED	1.05
9	93001129	H3040, H3044, H3045	TANK HOUSING	13.03
10	93001736	H3040, H3044, H3045	SCREW #8 x 12-3/4"	.57
11	93001130	H3040, H3044, H3045	UPPER CORD WRAP	1.13
12	93001131	H3040, H3044, H3045	LOWER CORD HOOK	1.13
13	93001127	H3040, H3044, H3045	CORD RETAINER	.57
14	93001733	H3040, H3044, H3045	SCREW #8 x 12-1/2"	.57
15	59178535	H3040, H3044	LATCH - UPPER HANDLE/RIGHT CRYSTAL BLUE	PENDING
	59178910	H3045	LATCH - UPPER HANDLE IMPERIAL RED	.88
16	93001159	H3040, H3044, H3045	SPRING	.57
17	93001734	H3040, H3044, H3045	SCREW #6 x 10-1/2"	.57
18	93001172	H3040, H3044, H3045	LOWER SUCTION DUCT	.57
19	59178830	H3040, H3044	HOSE ASSEMBLY - CRYSTAL BLUE	.88
	59178899	H3045	HOSE ASSEMBLY - IMPERIAL RED	4.26
20	93001161	H3040, H3044, H3045	CONTROL ROD - LOWER	.57
21	93001160	H3040, H3044, H3045	RESET SWITCH	2.82
22	93001829	H3040, H3044, H3045	RESERVOIR ASSEMBLY	7.31
23	93001155	H3040, H3044, H3045	O-RING	.57
24	93001165	H3040, H3044, H3045	TUBING - 28"	1.13
25	93001154	H3040, H3044, H3045	HANDLE RETAINER	3.96
26	93001176	H3040, H3044	CARRY HANDLE	6.79
	59178909	H3045	CARRY HANDLE	11.06
27	93001174	H3040, H3044, H3045	SEAL - SUCTION DUCT	1.13
28	93001175	H3040, H3044, H3045	SEAL - RECOVERY DUCT	1.13
29	93002026	H3040, H3044, H3045	RECOVERY DUCT	4.76
30	59178291	H3040, H3044, H3045	SUCTION DUCT	PENDING
31	93001166	H3040, H3044, H3045	CORD COVER - TANK HOUSING	7.77



# FloorMate

12

## PART LISTING / PRICE LIST

ITEM	PART NUMBER	MODELS TO FIT	PART DESCRIPTION	LIST COST
32	93001735	H3040, H3044, H3045	SCREW #6 x 24-3/8"	.57
33	93001743	H3040, H3044, H3045	SEAL	1.12
	93001995	H3040, H3044, H3045	RECOVERY SEAL PLATE	1.12
34	93001202	H3040, H3044, H3045	O-RING	.57
35	93001173	H3040, H3044, H3045	MOTOR COVER REAR	5.09
36	93001186	H3040, H3044, H3045	MOTOR SEAL RETAINER	1.13
37	93001185	H3040, H3044, H3045	MOTOR MOUNT	2.82
38	93001184	H3040, H3044, H3045	SEAL - MOTOR END BEARINGS	.57
39	59178507	H3040, H3044	MOTOR COVER CAP - CRYSTAL BLUE	PENDING
	59178915	H3045	MOTOR COVER CAP - CLEAR	5.67
40	93001194	H3040, H3044, H3045	MOTOR COVER VENT	1.46
41	93001193	H3040, H3044, H3045	MOTOR COVER	4.53
42	93001828	H3040, H3044, H3045	MOTOR ASSEMBLY	68.03
43	93001190	H3040, H3044, H3045	SEAL - MOTOR FAN	4.53
	93001203	H3040, H3044, H3045	ATTACHMENT CORD	10.20

### MODEL No.

H3040  
H3044  
H3045



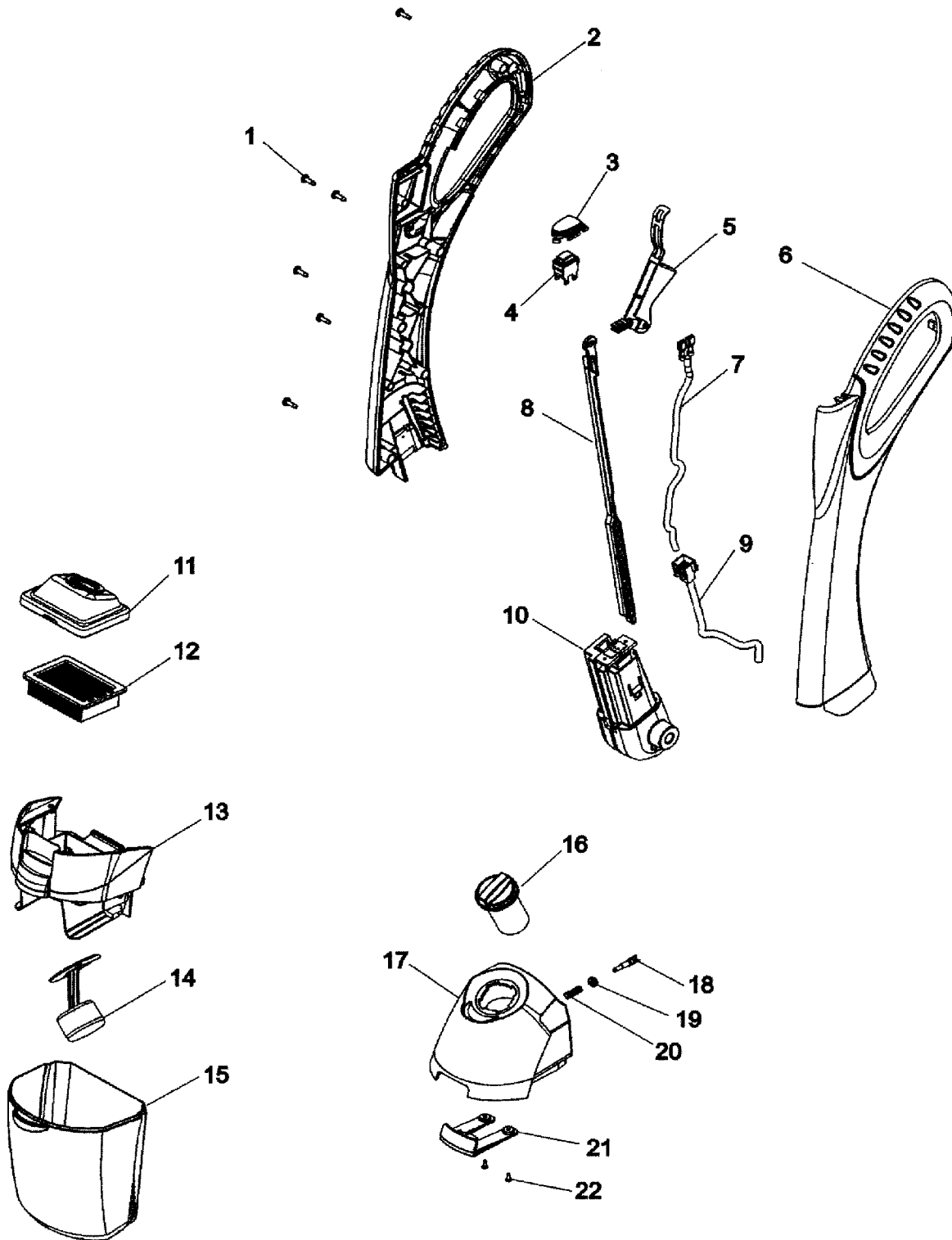
# FloorMate

12

## ASSEMBLY SCHEMATIC

### MODEL NO.

H3040  
H3044  
H3045





# FloorMate

12

## PART LISTING / PRICE LIST

### MODEL No.

H3040  
H3044  
H3045

ITEM	PART NUMBER	MODELS TO FIT	PART DESCRIPTION	LIST COST
1	93001733	H3040, H3044, H3045	SCREW #8 x 12-1/2"	.57
2	59178565	H3040, H3044	UPPER HANDLE - RIGHT CRYSTAL BLUE	8.96
	59178914	H3045	UPPER HANDLE - RIGHT IMPERIAL RED	9.17
3	93001113	H3040, H3044	SWITCH BOOT - CRYSTAL BLUE	1.13
	59178906	H3045	SWITCH BOOT - IMPERIAL RED	1.96
4	93001972	H3040, H3044, H3045	SWITCH	5.66
5	93001109	H3040, H3044, H3045	CONTROL LEVER	1.13
6	59178564	H3040, H3044	UPPER HANDLE - LEFT CRYSTAL BLUE	9.09
	59178913	H3045	UPPER HANDLE - LEFT IMPERIAL RED	9.17
7	93001115	H3040, H3044, H3045	WIRING HARNESS - UPPER HANDLE	5.09
8	93001110	H3040, H3044, H3045	CONTROL ROD UPPER	1.42
9	93001141	H3040, H3044, H3045	WIRING HARNESS - UPPER HANDLE CORE	3.16
10	93001137	H3040, H3044, H3045	UPPER HANDLE CORE ASSEMBLY	5.09
11	93001179	H3040, H3044, H3045	FILTER LID	1.46
12	40112050	H3040, H3044, H3045	TANK FILTER (1 PER)	4.99 NON DISC
13	93001181	H3040, H3044	RECOVERY TANK LID ASSEMBLY - C BLUE	17.00
	59178875	H3045	RECOVERY TANK LID ASSEMBLY - CLEAR	26.39
14	59178801	H3040, H3044, H3045	FLOAT - HINGED FRONT	PENDING
15	59178791	H3040, H3044	RECOVERY TANK - CRYSTAL BLUE	28.34
	59178873	H3045	RECOVERY TANK - CLEAR	28.34
16	93001143	H3040, H3044	SOLUTION TANK CAP ASSEMBLY - CRYSTAL BLUE	4.06
	59178885	H3045	SOLUTION TANK CAP ASSEMBLY - IMPERIAL RED	4.06
17	93001146	H3040, H3044	SOLUTION TANK ASSEMBLY - CRYSTAL BLUE	24.84
	59178884	H3045	SOLUTION TANK ASSEMBLY - IMPERIAL RED	24.84
18	93001148	H3040, H3044, H3045	VALVE STEM	.57
19	93001149	H3040, H3044, H3045	VALVE SEAL	.57
20	93001150	H3040, H3044, H3045	SPRING - SOLUTION TANK VALVE	.57
21	59178493	H3040, H3044	LATCH - SOLUTION TANK CRYSTAL BLUE	PENDING
	59178882	H3045	LATCH - SOLUTION TANK IMPERIAL RED	.63
22	93001735	H3040, H3044, H3045	SCREW #6 x 24-3/8"	.57
	93001976	H3040, H3044, H3045	SPRING - SOLUTION TANK LATCH	.57



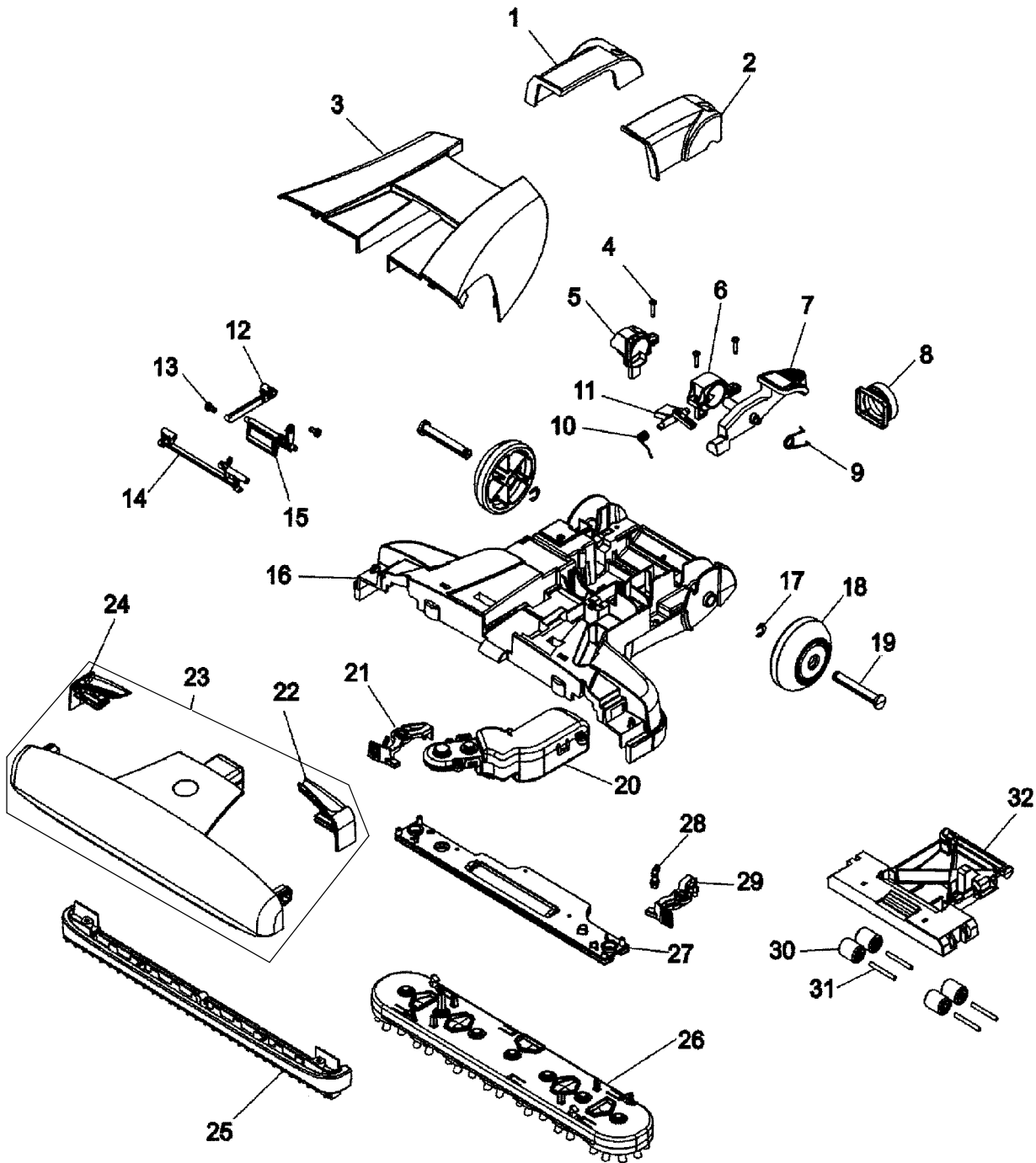
# FloorMate

12

## ASSEMBLY SCHEMATIC

### MODEL NO.

H3040  
H3044  
H3045







# FloorMate

# 12

## PART LISTING / PRICE LIST

### MODEL No.

H3040  
H3044  
H3045

ITEM	PART NUMBER	MODELS TO FIT	PART DESCRIPTION	LIST COST
1	93001041	H3040, H3044	HOOD REAR COVER - RIGHT	1.69
	59178904	H3045	HOOD REAR COVER - RIGHT CLEAR	1.26
2	93001038	H3040, H3044	HOOD REAR COVER - LEFT	1.69
	59178905	H3045	HOOD REAR COVER - LEFT CLEAR	1.26
3	93001057	H3040, H3044, H3045	HOOD / NOZZLE COVER	6.79
4	93001736	H3040, H3044, H3045	SCREW #8 x 12-3/4"	.57
5	93001056	H3040, H3044, H3045	TRUNNION COVER - RIGHT	.57
6	93001055	H3040, H3044, H3045	TRUNNION COVER - LEFT	.57
7	59178543	H3040, H3044	HANDLE RELEASE PEDAL - CRYSTAL BLUE	PENDING
	59178903	H3045	HANDLE RELEASE PEDAL - IMPERIAL RED	.98
8	59178534	H3040, H3044	GROMMET - WATER CHANNEL CRYSTAL BLUE	PENDING
	59178901	H3045	GROMMET - WATER CHANNEL IMPERIAL RED	.49
9	93001049	H3040, H3044, H3045	SPRING - HANDLE RELEASE PEDAL	.57
10	93001051	H3040, H3044, H3045	SPRING - HANDLE RELEASE	.57
11	93001050	H3040, H3044, H3045	HANDLE RELEASE	.89
12	93001068	H3040, H3044, H3045	LIFTER LINK	.57
13	93001066	H3040, H3044, H3045	FASTENER - PINCH PIN	.57
14	93001069	H3040, H3044, H3045	CAM ARM - BRUSH BLOCK	.89
15	93001067	H3040, H3044, H3045	CAM ARM - FRONT WHEEL CARRIAGE	.57
16	93001044	H3040, H3044	MAIN BODY / NOZZLE BASE - CRYSTAL BLUE	20.40
	59178911	H3045	MAIN BODY / NOZZLE BASE - IMPERIAL RED	20.40
17	59177088	H3040, H3044, H3045	LOCK RING	.57
18	93001061	H3040, H3044	REAR WHEEL ASSEMBLY - CRYSTAL BLUE	2.82
	59178902	H3045	REAR WHEEL ASSEMBLY - BLACK	2.31
19	93001059	H3040, H3044, H3045	REAR WHEEL AXLE	1.46
20	93001079	H3040, H3044, H3045	BRUSH MOTOR ASSEMBLY	31.74
21	59178518	H3040, H3044	LATCH - BRUSH BLOCK RIGHT CRYSTAL BLUE	PENDING
	59178898	H3045	LATCH - BRUSH BLOCK RIGHT IMPERIAL RED	.87
22	93001071	H3040, H3044	NOZZLE LATCH - LEFT CRYSTAL BLUE	1.13
	59178892	H3045	NOZZLE LATCH - LEFT IMPERIAL RED	1.68
23	59178924	H3040, H3044	NOZZLE ASSEMBLY - CRYSTAL BLUE	18.54
	59178888	H3045	NOZZLE ASSEMBLY - IMPERIAL RED	18.54
24	93001074	H3040, H3044	NOZZLE LATCH - RIGHT CRYSTAL BLUE	1.13
	59178890	H3045	NOZZLE LATCH - RIGHT IMPERIAL RED	1.68
25	93001095	H3040, H3044	SQUEEGEE ASSEMBLY - CRYSTAL BLUE	9.06
	59178889	H3045	SQUEEGEE ASSEMBLY - IMPERIAL RED	8.68





# FloorMate

12

## PART LISTING / PRICE LIST

ITEM	PART NUMBER	MODELS TO FIT	PART DESCRIPTION	LIST COST
26	93001090	H3040, H3044, H3045	BRUSH BLOCK ASSEMBLY - 7 BRUSH	28.34
	93001092	H3044, H3045	GROUT BRUSH BLOCK ASSEMBLY	25.50
27	93001084	H3040, H3044	DISTRIBUTOR ASSEMBLY - CRYSTAL BLUE	9.19
	59178894	H3045	DISTRIBUTOR ASSEMBLY - IMPERIAL RED	9.19
28	93001086	H3040, H3044, H3045	ELBOW CONNECTION	N.L.A.
29	93001088	H3040, H3044	LATCH - BRUSH BLOCK LEFT CRYSTAL BLUE	.57
	59178897	H3045	LATCH - BRUSH BLOCK LEFT IMPERIAL RED	.87
30	59178205	H3040, H3044, H3045	FRONT WHEEL	PENDING
31	93001065	H3040, H3044, H3045	FRONT WHEEL SHAFT	.57
32	93001063	H3040, H3044, H3045	FRONT WHEEL ASSEMBLY	6.79

### MODEL No.

H3040  
H3044  
H3045