



# Floor MATE™ FloorMate

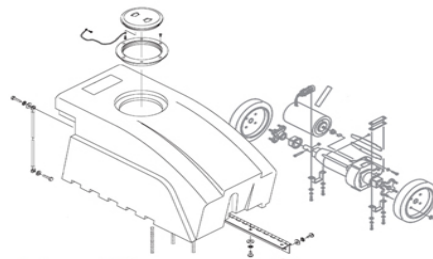
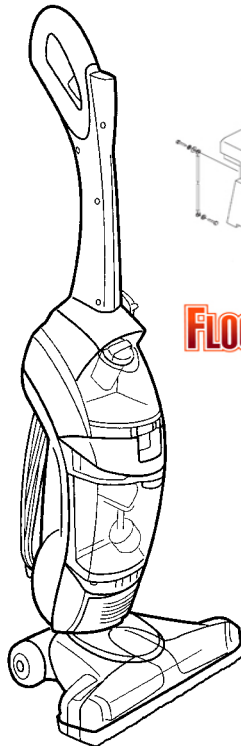
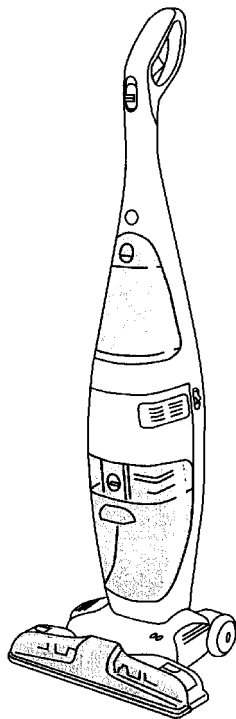
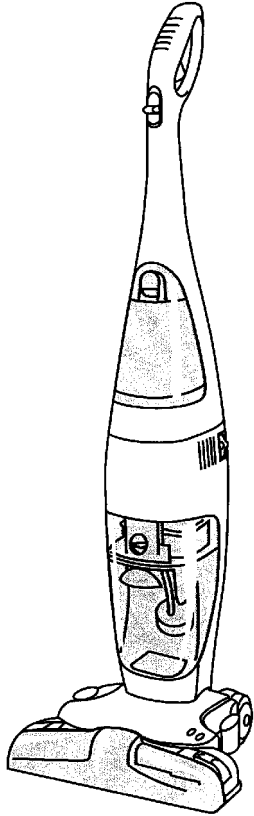


## SECTION CONTENTS

<u>MODEL NO.</u>	<u>PAGE NO.</u>
H2800	12-2 THRU 12-6
H2850	12-7 THRU 12-12
H3000	12-13 THRU 12-20
H3030	12-19 THRU 12-26
H3032	12-19 THRU 12-26
H3040	12-27 THRU 12-34
H3044	12-27 THRU 12-34
H3045	12-27 THRU 12-34
H3050	12-35 THRU 12-44
H3060	12-35 THRU 12-44

## MODEL NO.

- H2800
- H2850
- H3000
- H3030
- H3032
- H3040
- H3044
- H3045
- H3050
- H3060



**FLOOR-EQUIPMENT-PARTS.COM**

- \* PRICING, SPECIFICATION'S, AND PRODUCT AVAILABILITY ARE SUBJECT TO CHANGE WITHOUT NOTICE. PRICING IS FOB FACTORY, CANTON, OH
- \* ALL INFORMATION CONTAINED WITHIN THIS SERVICE MANUAL IS PROPRIETARY INFORMATION OF TTI FLOOR CARE NORTH AMERICA.
- \* **WARNING:** TO REDUCE THE RISK OF ELECTRICAL SHOCK OR INJURY, ALWAYS DISCONNECT THE APPLIANCE CORD FROM THE ELECTRICAL OUTLET OR REMOVE BATTERY PRIOR TO SERVICING THE UNIT.

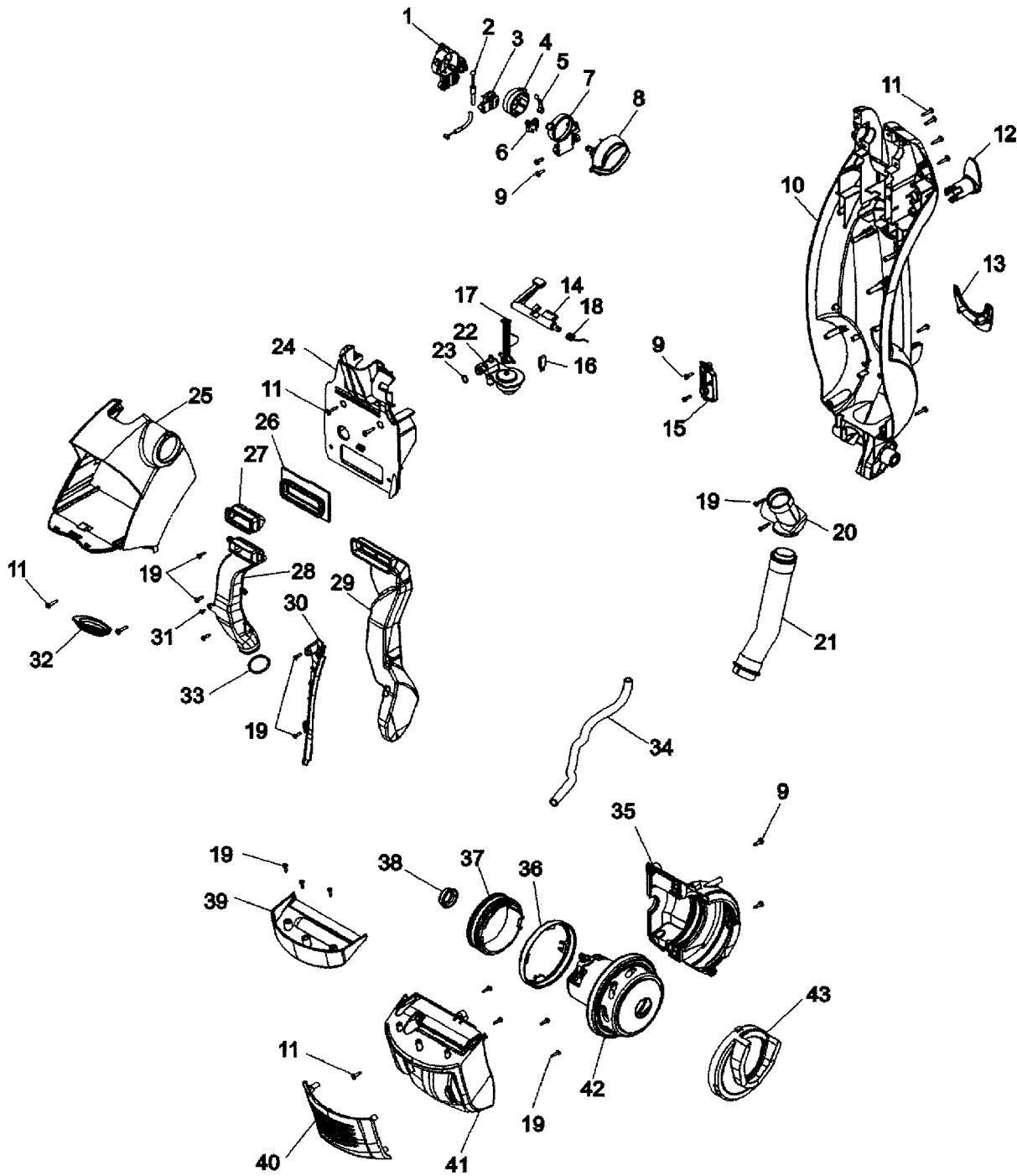


12

### ASSEMBLY SCHEMATIC

MODEL NO.

H3030  
H3032





12

**PART LISTING / PRICE LIST**

MODEL No.

H3030  
H3032

ITEM	PART NUMBER	MODELS TO FIT	PART DESCRIPTION	LIST COST
1	93001119	H3030, H3032	BEARING - MODE CONTROL / RIGHT	1.13
2	93001120	H3030, H3032	CABLE - MODE CONTROL	5.09
	93002293	H3030, H3032	CABLE RETAINER - FOOT	.89
3	93001136	H3030, H3032	CABLE RETAINER	.57
4	93001121	H3030, H3032	ACTUATOR - MODE CONTROL	1.13
5	93001122	H3030, H3032	SPRING - MODE CONTROL	.57
6	93001135	H3050, H3030	SWITCH - MODE CONTROL	5.09
	59178361	H3032	SWITCH - MODE CONTROL	PENDING
7	93001123	H3030, H3032	BEARING - MODE CONTROL / LEFT	1.13
8	93001126	H3030	KNOB - MODE CONTROL	1.69
	93001124	H3032	KNOB - MODE CONTROL ALASKAN GREEN	1.69
9	93001733	H3030, H3032	SCREW #8 x 12-1/2"	.57
10	93001129	H3030, H3032	TANK HOUSING	13.03
11	93001736	H3030, H3032	SCREW #8 x 12-3/4"	.57
12	93001130	H3030, H3032	UPPER CORD WRAP	1.13
13	93001131	H3030, H3032	LOWER CORD HOOK	1.13
14	93001158	H3030	LATCH - UPPER HANDLE	1.13
	93001156	H3032	LATCH - UPPER HANDLE ALASKAN GREEN	1.13
15	93001127	H3030, H3032	CORD RETAINER	.57
16	93001160	H3030, H3032	RESET SWITCH	2.82
17	93001161	H3030, H3032	CONTROL ROD - LOWER	.57
18	93001159	H3030, H3032	SPRING	.57
19	93001734	H3030, H3032	SCREW #6 x 10-1/2"	.57
20	93001172	H3030, H3032	LOWER SUCTION DUCT	.57
21	93001192	H3030	HOSE ASSEMBLY	4.53
	93001191	H3032	HOSE ASSEMBLY	4.53
22	93001829	H3030, H3032	RESERVOIR ASSEMBLY	7.31
23	93001155	H3030, H3032	O-RING - RECOVERY DUCT	.57
24	93001154	H3030, H3032	HANDLE RETAINER	3.96
25	93001178	H3030	CARRY HANDLE	6.79
	93001176	H3032	CARRY HANDLE	6.79
26	93001174	H3030, H3032	SEAL - SUCTION DUCT	1.13
27	93001175	H3030, H3032	SEAL - RECOVERY DUCT	1.13
28	93002026	H3030, H3032	RECOVERY DUCT	4.76
29	93001167	H3030	SUCTION DUCT	3.96
	59178291	H3032	SUCTION DUCT	PENDING



12

PART LISTING / PRICE LIST

MODEL No.

H3030  
H3032

ITEM	PART NUMBER	MODELS TO FIT	PART DESCRIPTION	LIST COST
30	93001166	H3030, H3032	CORD COVER - TANK HOUSING	7.77
31	93001735	H3030, H3032	SCREW #6 x 24-3/8"	.57
32	93001743	H3030, H3032	SEAL	1.12
	93001995	H3030, H3032	RECOVERY SEAL PLATE	1.12
33	93001202	H3030, H3032	O-RING	.57
34	93001165	H3030, H3032	TUBING - 28"	1.13
35	93001173	H3030, H3032	MOTOR COVER - REAR	5.09
36	93001186	H3030, H3032	MOTOR SEAL RETAINER	1.13
37	93001185	H3030, H3032	MOTOR MOUNT	2.82
38	93001184	H3030, H3032	SEAL - MOTOR END BEARING	.57
39	93001200	H3030	MOTOR COVER CAP	2.59
	59178155	H3032	MOTOR COVER CAP - ALASKAN GREEN	PENDING
40	93001194	H3030, H3032	MOTOR COVER VENT	1.46
41	93001193	H3030, H3032	MOTOR COVER	4.53
42	93001828	H3030, H3032	MOTOR ASSEMBLY	68.03
43	93001190	H3030, H3032	SEAL - MOTOR FAN	4.53
	93001203	H3030, H3032	POWER CORD	10.20

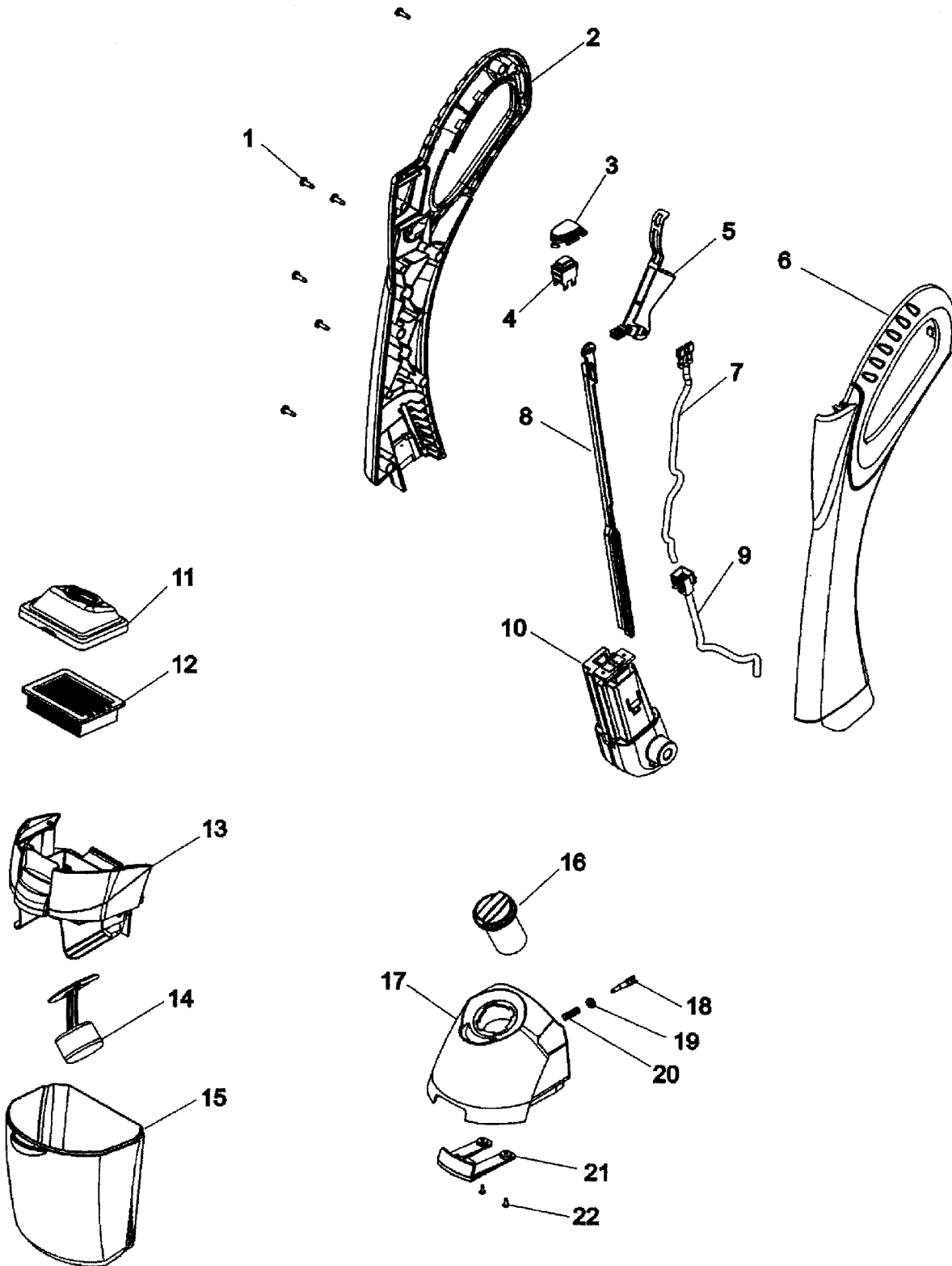


12

ASSEMBLY SCHEMATIC

MODEL NO.

H3030  
H3032





12

PART LISTING / PRICE LIST

MODEL No.

H3030  
H3032

ITEM	PART NUMBER	MODELS TO FIT	PART DESCRIPTION	LIST COST
1	93001733	H3030, H3032	SCREW #8 x 12-1/2"	.57
2	93001140	H3030	UPPER HANDLE - RIGHT	6.23
	93001138	H3032	UPPER HANDLE - RIGHT ALASKAN GREEN	6.23
3	93001113	H3030	SWITCH BOOT	1.13
	93001111	H3032	SWITCH BOOT - ALASKAN GREEN	1.13
4	93001114	H3030	SWITCH	3.96
	93001972	H3032	SWITCH	5.66
5	93001109	H3030, H3032	CONTROL LEVER	1.13
6	93001118	H3030	UPPER HANDLE - LEFT	6.23
	93001116	H3032	UPPER HANDLE - LEFT ALASKAN GREEN	6.23
7	93001115	H3030, H3032	WIRING HARNESS	5.09
8	93001110	H3030, H3032	CONTROL ROD UPPER	1.42
9	93001141	H3030, H3032	WIRING HARNESS	3.16
10	93001137	H3030, H3032	UPPER HANDLE CORE ASSEMBLY	5.09
11	93001179	H3030, H3032	FILTER LID	1.46
12	40112050	H3030, H3032	TANK FILTER (1 PER)	4.99 NON DISC
13	93001182	H3030	RECOVERY TANK LID ASSEMBLY	17.00
	93001180	H3032	RECOVERY TANK LID ASSEMBLY - GREEN	17.00
14	93001183	H3030	FLOAT - HINGED SIDE	2.59
	59178801	H3030, H3032	FLOAT - HINGED FRONT	PENDING
15	93001197	H3030	RECOVERY TANK	28.34
	93001195	H3032	RECOVERY TANK - ALASKAN GREEN	28.34
16	93001144	H3030	SOLUTION TANK CAP ASSEMBLY	4.06
	93001142	H3032	SOLUTION TANK CAP ASSEMBLY - GREEN	4.06
17	93001147	H3030	SOLUTION TANK ASSEMBLY	24.84
	93001145	H3032	SOLUTION TANK ASSEMBLY - ALASKAN GREEN	24.84
18	93001148	H3030, H3032	VALVE STEM	.57
19	93001149	H3030, H3032	VALVE SEAL	.57
20	93001150	H3030, H3032	SPRING	.57
21	93001153	H3030	LATCH - SOLUTION TANK	1.13
	93001151	H3032	LATCH - SOLUTION TANK ALASKAN GREEN	1.13
22	93001735	H3030, H3032	SCREW #6 x 24-3/8"	.57
	93001976	H3030, H3032	SPRING - SOLUTION TANK LATCH	.57

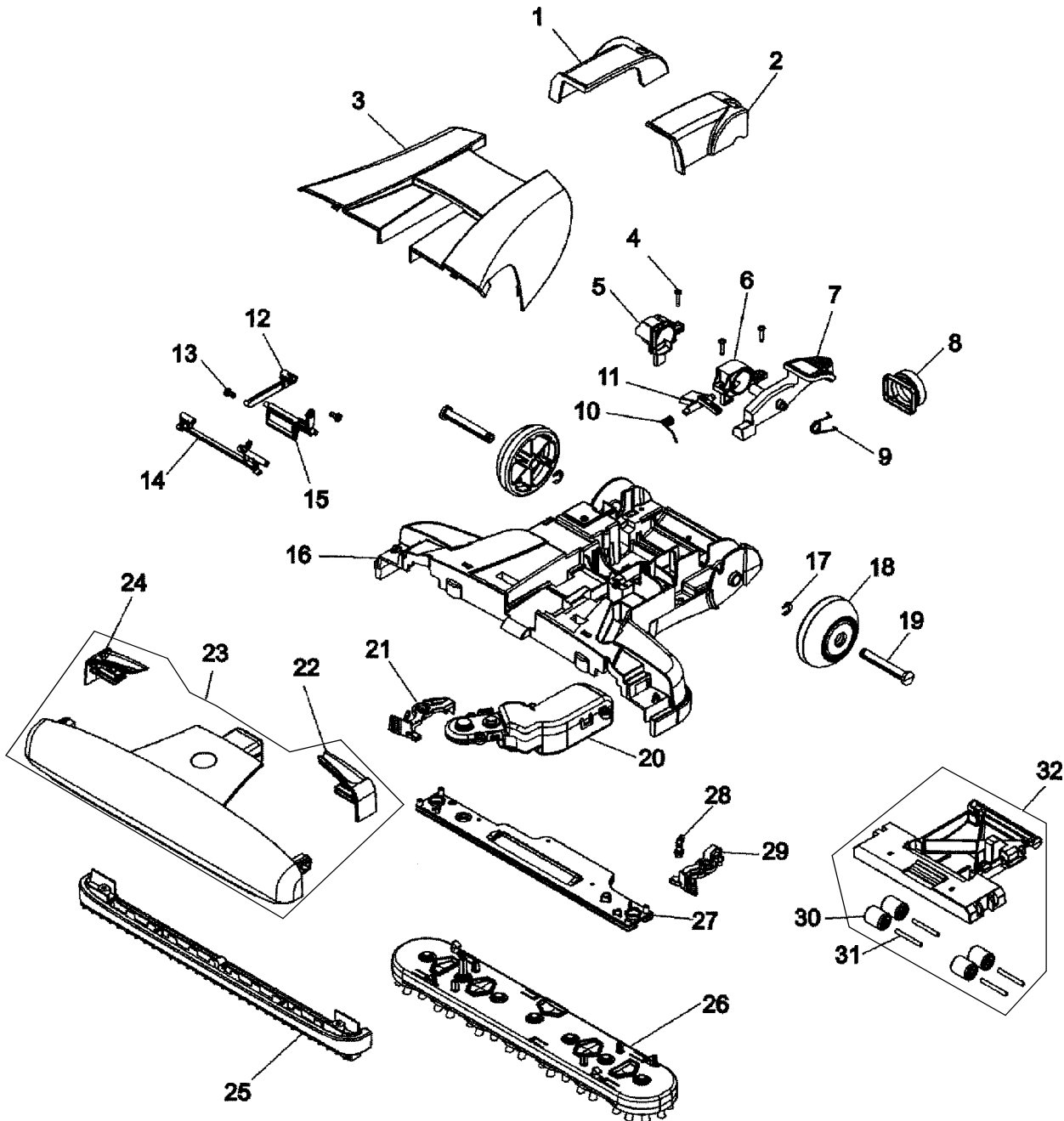


12

ASSEMBLY SCHEMATIC

MODEL NO.

H3030  
H3032





12

PART LISTING / PRICE LIST

MODEL No.

H3030  
H3032

ITEM	PART NUMBER	MODELS TO FIT	PART DESCRIPTION	LIST COST
1	93001042	H3030	HOOD REAR COVER - RIGHT	1.69
	93001037	H3032	HOOD REAR COVER - RIGHT CLEAR	1.69
2	93001039	H3030	HOOD REAR COVER - LEFT	1.69
	93001040	H3032	HOOD REAR COVER - LEFT CLEAR	1.69
3	93001058	H3030	HOOD / NOZZLE COVER	4.53
	93001057	H3032	HOOD / NOZZLE COVER	6.79
4	93001736	H3030, H3032	SCREW #8 x 12-3/4"	.57
5	93001056	H3030, H3032	TRUNNION COVER - RIGHT	.57
6	93001055	H3030, H3032	TRUNNION COVER - LEFT	.57
7	93001048	H3030	HANDLE RELEASE PEDAL	2.03
	93001046	H3032	HANDLE RELEASE PEDAL	2.03
8	93001054	H3030	GROMMET - WATER CHANNEL	.74
	59178921	H3032	GROMMET - WATER CHANNEL ALASKAN GREEN	.56
9	93001049	H3030, H3032	SPRING - HANDLE RELEASE PEDAL	.57
10	93001051	H3030, H3032	SPRING - HANDLE RELEASE	.57
11	93001050	H3030, H3032	HANDLE RELEASE - ARCTIC WHITE	.89
12	93001068	H3030, H3032	LIFTER LINK	.57
13	93001066	H3030, H3032	FASTENER - PINCH PIN	.57
14	93002049	H3030	CAM ARM - BRUSH BLOCK	1.12
	93001069	H3032	CAM ARM - BRUSH BLOCK	.89
15	93001067	H3030, H3032	CAM ARM - FRONT WHEEL CARRIAGE	.57
16	93001045	H3030	MAIN BODY / NOZZLE BASE	20.40
	59178863	H3032	MAIN BODY / NOZZLE BASE - ALASKAN GREEN	20.40
17	59177088	H3030, H3032	LOCK RING	.57
18	93001062	H3030	REAR WHEEL ASSEMBLY - PURPLE FROST	2.82
	93001060	H3032	REAR WHEEL ASSEMBLY - ALASKAN GREEN	2.82
19	93001059	H3030, H3032	REAR WHEEL AXLE	1.46
20	93001079	H3030, H3032	BRUSH MOTOR ASSEMBLY	31.74
21	93001082	H3030	LATCH - BRUSH BLOCK RIGHT	.57
	93001080	H3032	LATCH - BRUSH BLOCK RIGHT	.57
22	93001072	H3030	NOZZLE LATCH - LEFT	1.13
	59178856	H3030	NOZZLE LATCH - LEFT ALASKAN GREEN	1.13
23	93001078	H3030	NOZZLE	10.20
	59178166	H3030	NOZZLE ASSEMBLY - PURPLE FROST	24.29
	59178852	H3032	NOZZLE ASSEMBLY - ALASKAN GREEN	15.12





12

PART LISTING / PRICE LIST

MODEL No.

H3030  
H3032

ITEM	PART NUMBER	MODELS TO FIT	PART DESCRIPTION	LIST COST
24	93001075	H3030	NOZZLE LATCH - RIGHT	1.13
	59178858	H3032	NOZZLE LATCH - RIGHT ALASKAN GREEN	1.13
25	93001096	H3030	SQUEEGEE	9.06
	59178855	H3032	SQUEEGEE - ALASKAN GREEN	8.68
26	93001091	H3030, H3032	BRUSH BLOCK ASSEMBLY - 6 BRUSH	28.34
	93001093	H3030	GROUT BRUSH BLOCK ASSEMBLY	22.67
27	93001085	H3030	DISTRIBUTOR ASSEMBLY	9.19
	59178660	H3032	DISTRIBUTOR ASSEMBLY - ALASKAN GREEN	N.A.
28	93001086	H3030, H3032	ELBOW CONNECTOR	N.L.A.
29	93001089	H3030	LATCH - BRUSH BLOCK LEFT	.57
	93001087	H3032	LATCH - BRUSH BLOCK LEFT ALASKAN GREEN	.57
30	93001064	H3030	FRONT WHEEL	1.13
	59178205	H3032	FRONT WHEEL	PENDING
31	93001065	H3030, H3032	FRONT WHEEL SHAFT	.57
32	93001063	H3030, H3032	FRONT WHEEL ASSEMBLY	6.79