



Floor MATE™ FloorMate

12

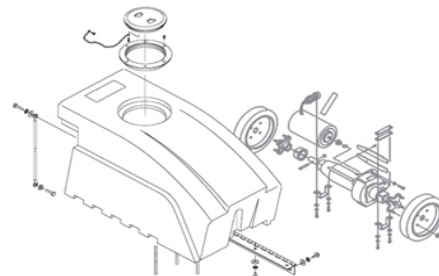
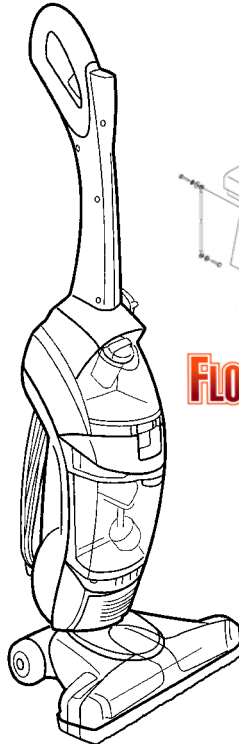
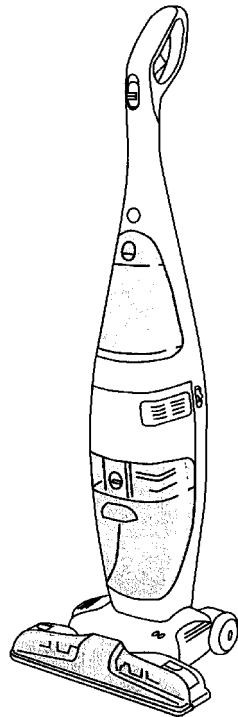
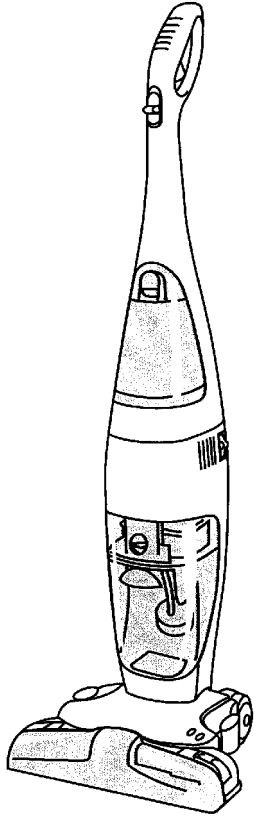


SECTION CONTENTS

<u>MODEL NO.</u>	<u>PAGE NO.</u>
H2800	12-2 THRU 12-6
H2850	12-7 THRU 12-12
H3000	12-13 THRU 12-20
H3030	12-19 THRU 12-26
H3032	12-19 THRU 12-26
H3040	12-27 THRU 12-34
H3044	12-27 THRU 12-34
H3045	12-27 THRU 12-34
H3050	12-35 THRU 12-44
H3060	12-35 THRU 12-44

MODEL NO.

- H2800
- H2850
- H3000
- H3030
- H3032
- H3040
- H3044
- H3045
- H3050
- H3060



FLOOREQUIPMENTPARTS.COM

- * PRICING, SPECIFICATION'S, AND PRODUCT AVAILABILITY ARE SUBJECT TO CHANGE WITHOUT NOTICE. PRICING IS FOB FACTORY, CANTON, OH
- * ALL INFORMATION CONTAINED WITHIN THIS SERVICE MANUAL IS PROPRIETARY INFORMATION OF TTI FLOOR CARE NORTH AMERICA.
- * **WARNING:** TO REDUCE THE RISK OF ELECTRICAL SHOCK OR INJURY, ALWAYS DISCONNECT THE APPLIANCE CORD FROM THE ELECTRICAL OUTLET OR REMOVE BATTERY PRIOR TO SERVICING THE UNIT.



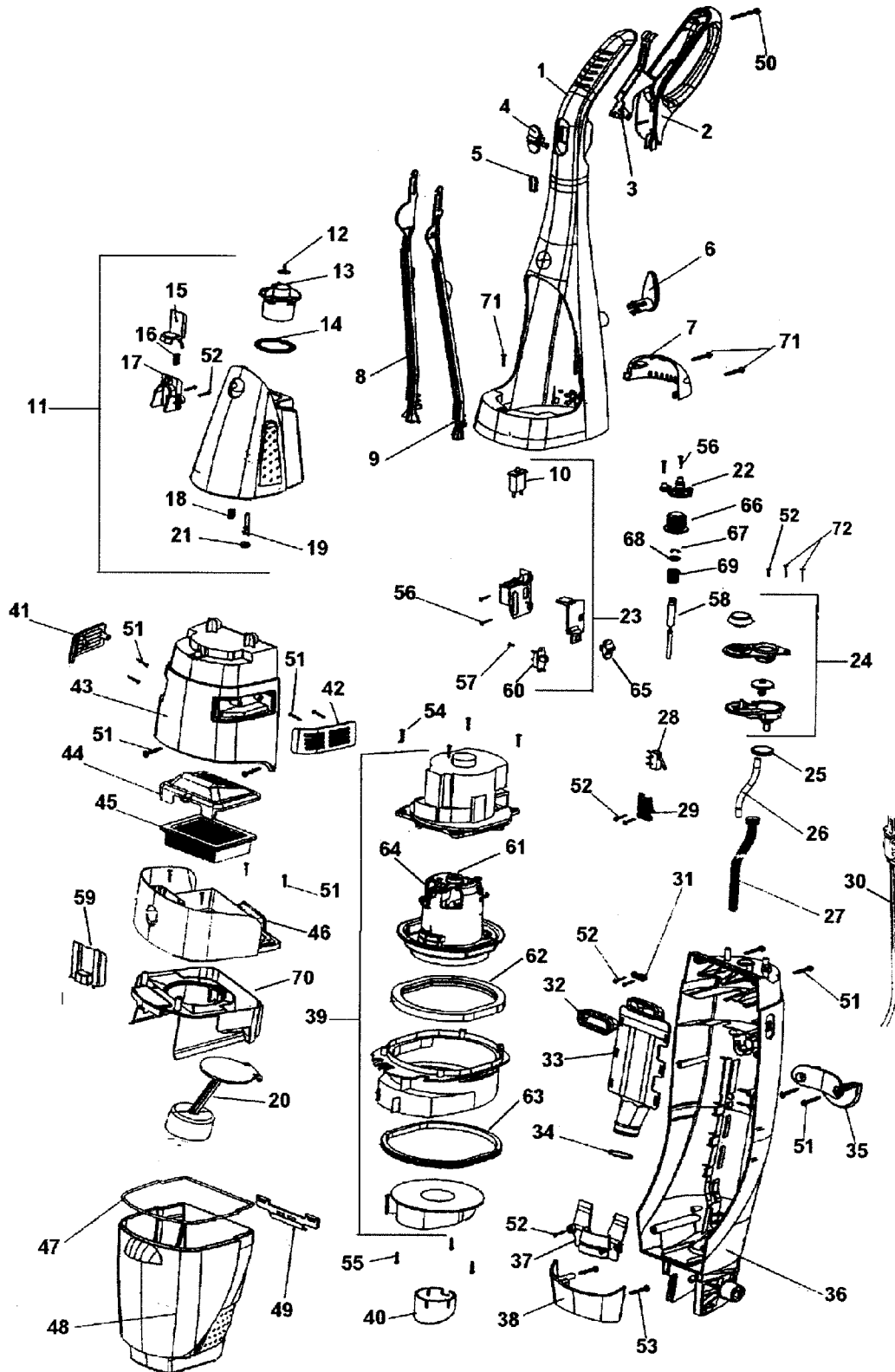
FloorMATE™ with SpinScrub™ Brushes The Hard Floor Cleaner

12

ASSEMBLY SCHEMATIC

MODEL NO.

H3000





FloorMATE™ with SpinScrub™ Brushes The Hard Floor Cleaner

12

PART LISTING / PRICE LIST

MODEL No.

H3000

ITEM	PART NUMBER	MODELS To FIT	PART DESCRIPTION	LIST COST
1	59177055	H3000	UPPER HANDLE	21.54
2	59177056	H3000	HANDLE LEVER GUARD	4.53
3	59177058	H3000	CONTROL LEVER	3.39
4	59177061	H3000	BRUSH CONTROL BUTTON	1.12
5	59177062	H3000	CONTROL BUTTON SPRING	1.12
	59177170	H3000	CONTROL BUTTON SPRING - SCREW IN	1.46
6	59177059	H3000	UPPER CORD WRAP	1.81
7	59177063	H3000	CARRYING HANDLE	2.26
8	59177057	H3000	UPPER CONTROL ROD	4.86
9	59177060	H3000	BRUSH CONTROL ROD	N.L.A.
	59177167	H3000	BRUSH CONTROL ROD - AFTER 4/02	4.86
10	59177049	H3000	CIRCUIT BREAKER	22.67
11	59177076	H3000	SOLUTION TANK ASSEMBLY	26.07
12		H3000	ORDER #13	N.A.
13	59177071	H3000	SOLUTION TANK CAP	4.06
14		H3000	O-RING / ORDER #13	N.A.
15	59177070	H3000	SOLUTION TANK LATCH	1.12
16	38312014	H3000	SPRING	1.12
17	59177068	H3000	LATCH RETAINER	2.82
18	38312014	H3000	SPRING	1.12
19	38717009	H3000	VALVE STEM	2.26
20	59177115	H3000	FLOAT	3.39
21	38784061	H3000	VALVE SEAL	1.12
22	59177113	H3000	BRUSH MOUNT SPRING CONTROL	1.12
	59177168	H3000	BRUSH MOUNT RETAINER - AFTER 4/02	1.12
23	59177072	H3000	SWITCH / HOLDER ASSEMBLY	16.75
24	59177075	H3000	RESERVOIR ASSEMBLY	4.07
25		H3000	GASKET	N.A.
26	59177006	H3000	SOLUTION TUBE	2.94
27	59177093	H3000	PROTECTOR JACKET	1.46
28	59177111	H3000	MICROSWITCH	7.48
29	59177016	H3000	SWITCH COVER	1.12
30	59177001	H3000	POWER CORD	27.21
31	59177094	H3000	CORD CLAMP	1.12
32	59177012	H3000	HOSE SEALING GASKET	3.39
33	59177011	H3000	RECOVERY HOSE	4.53



FloorMATE™ with SpinScrub™ Brushes The Hard Floor Cleaner

12

PART LISTING / PRICE LIST

MODEL No.

H3000

ITEM	PART NUMBER	MODELS TO FIT	PART DESCRIPTION	LIST COST
34	59177015	H3000	O-RING	1.12
35	59177007	H3000	LOWER CORD WRAP	2.26
36	59177005	H3000	LOWER HOUSING	27.21
37	59177014	H3000	HOSE DUCT MOUNT	1.69
38	59177008	H3000	TANK BASE	3.39
39	59177074	H3000	MOTOR ASSEMBLY	79.37
40	59177095	H3000	FAN CHAMBER GASKET	1.65
41	59177018	H3000	LOUVER COVER - RIGHT	1.46
42	59177017	H3000	LOUVER COVER - LEFT	1.46
43	59177009	H3000	FRONT COVER	13.15
44	59177096	H3000	FILTER LID	3.39
45	40112050	H3000	TANK FILTER (1 PER)	4.99 NON DISC
46	59177053	H3000	RECEIVING TANK LID WITH OUT GASKET	12.46
47	59177097	H3000	TANK LID GASKET	1.46
48	59177050	H3000	RECOVERY TANK	29.47
49	59177098	H3000	RECOVERY TANK LID LOCK	2.26
50	59177054	H3000	SCREW #8 x 45	1.12
51	59177099	H3000	SCREW 3.5 x 20	.57
52	59177100	H3000	SCREW 3.5 x 10	.57
53	59177101	H3000	SCREW #8 x 30	.57
54	59177102	H3000	SCREW 3.5 x 10 z	.57
55	59177103	H3000	SCREW 3.5 x 10 z	.57
56	59177104	H3000	SCREW 3.5 x 17	.57
57	59177105	H3000	SCREW 2.6 x 5	.57
58	59177029	H3000	CABLE ASSEMBLY	6.79
	59177169	H3000	TENSION WIRE - AFTER 4/02	6.79
59	59177052	H3000	RECEIVING TANK RELEASE BUTTON	1.81
60	59177048	H3000	ON-OFF SWITCH	4.29
61		H3000	ORDER #64	N.A.
62	59177108	H3000	MOTOR MOUNT INSULATOR	5.66
63	59177109	H3000	WATER SEAL	N.L.A.
64	59177092	H3000	MOTOR BRUSHES	7.93
65	59177010	H3000	SWITCH BUTTON	1.12
66	59177046	H3000	BRUSH CONTROL CAP	1.12
67		H3000	E-CLIP	
68	59177110	H3000	WASHER	.57



FloorMATE™
with SpinScrub™ Brushes
The Hard Floor Cleaner

12

PART LISTING / PRICE LIST

ITEM	PART NUMBER	MODELS TO FIT	PART DESCRIPTION	LIST COST
69	59177112	H3000	SPRING	1.12
70	59177114	H3000	RECOVERY CHANNEL	6.79
71	59177120	H3000	SCREW PACKAGE	1.46
72	59177069	H3000	SCREW WITH WASHER	.62
	40303048	H3000	BARE/WOOD FLOOR CLEANER - 48 OZ	4.61

MODEL No.

H3000



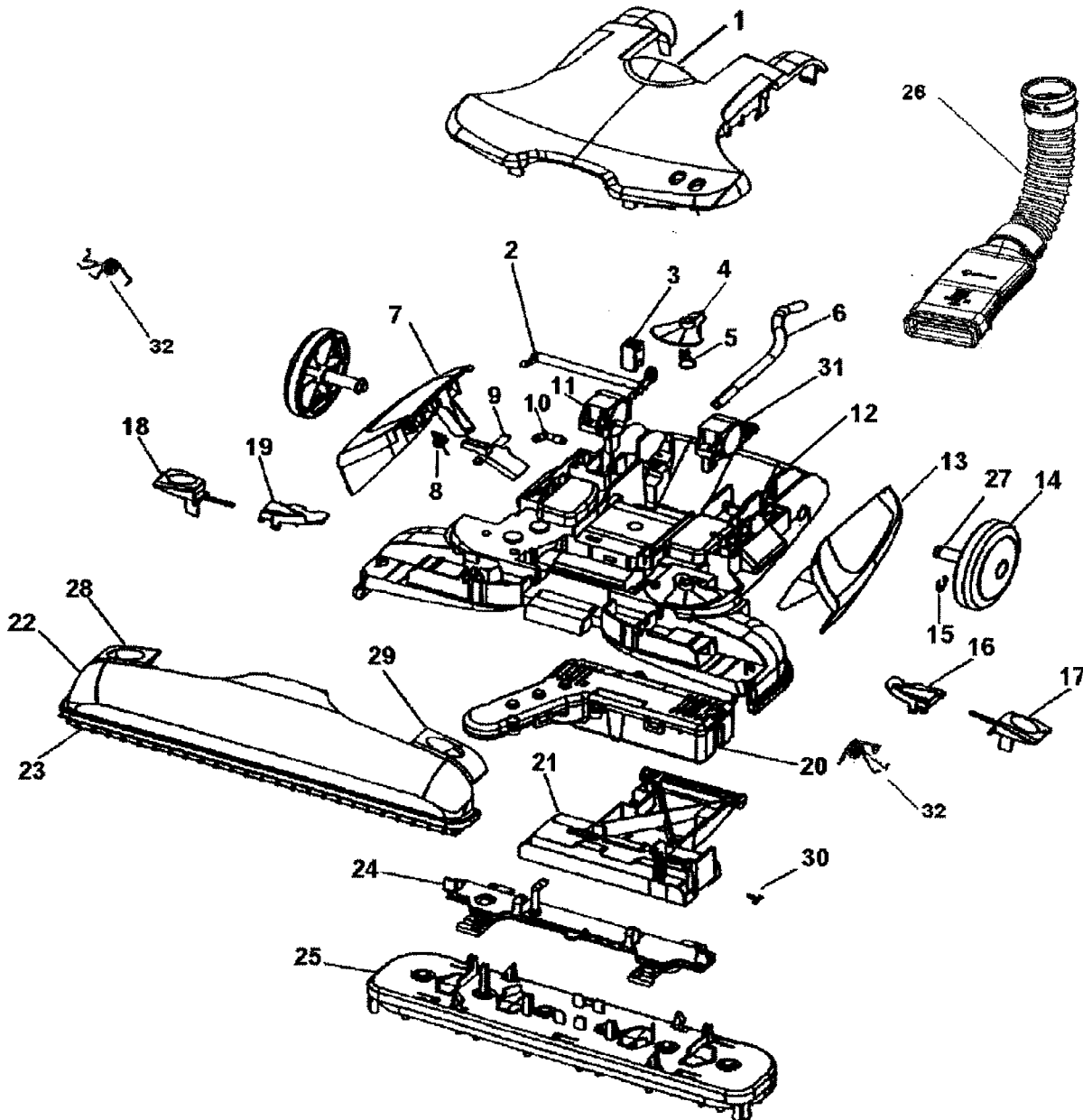
FloorMATE™ with SpinScrub™ Brushes The Hard Floor Cleaner

12

ASSEMBLY SCHEMATIC

MODEL NO.

H3000





FloorMATE™ with SpinScrub™ Brushes The Hard Floor Cleaner

12

PART LISTING / PRICE LIST

ITEM	PART NUMBER	MODELS TO FIT	PART DESCRIPTION	LIST COST
1	59177022	H3000	HOOD / NOZZLE COVER ASSEMBLY	11.33
2	59177028	H3000	BRUSH LIFTING LEVER	1.81
3	59177036	H3000	BRUSH ACTIVATOR	1.12
4	59177030	H3000	INDICATOR - UP/DOWN	1.12
5	59177032	H3000	INDICATOR SPRING	1.12
6	59177006	H3000	SOLUTION TUBE	2.94
7	59177020	H3000	HANDLE RELEASE PEDAL	6.00
8	59177037	H3000	LOCK PLATE SPRING	1.12
9	59177472	H3000	LOCK PLATE	1.12
10	59177035	H3000	ELBOW SLEEVE	1.12
11	59177024	H3000	TURNING CAP - RIGHT	1.46
12	59177025	H3000	MAIN BODY / NOZZLE BASE w/BUMPER	27.56
13	59177021	H3000	SQUEEGEE PEDAL	6.79
14	59177044	H3000	REAR WHEEL ASSEMBLY	6.79
15	59177088	H3000	LOCK RING	.57
16	59177033	H3000	CAP - BRUSH BLOCK BUTTON - LEFT	1.12
17	59177026	H3000	BRUSH BLOCK BUTTON - LEFT	1.12
18	59177027	H3000	BRUSH BLOCK BUTTON - RIGHT	1.12
19	59177034	H3000	CAP - BRUSH BLOCK BUTTON - RIGHT	1.12
20	59177039	H3000	BRUSH MOTOR ASSEMBLY	56.69
21	59177041	H3000	FRONT WHEEL ASSEMBY	20.40
	59177085	H3000	FRONT WHEEL SHAFT - ONLY	3.73
	59177086	H3000	FRONT WHEEL - ONLY	5.66
22	59177043	H3000	NOZZLE ASSEMBLY	22.67
23	59177047	H3000	RETAINER/SQUEEGEE	9.06
24	59177153	H3000	DISTRIBUTOR ASSEMBLY	4.07
25	59177038	H3000	BRUSH BLOCK ASSEMBLY	39.68
	59177607	H3000	GROUT BRUSH BLOCK ASSEMBLY	49.67
26	59177042	H3000	WATER CHANNEL/HOSE	9.74
27	59177087	H3000	REAR AXLE - 2 PER	3.73
28	59177089	H3000	NOZZLE LATCH - RIGHT	1.13
29	59177090	H3000	NOZZLE LATCH - LEFT	1.13
30	59177084	H3000	SNAP PIN	1.12
31	59177023	H3000	TURNING CAP - LEFT	1.46
32	59177276	H3000	PEDAL SPRING	1.12
	59177091	H3000	SCREW - MOTOR MOUNT / TURNING	1.12

MODEL No.

H3000