

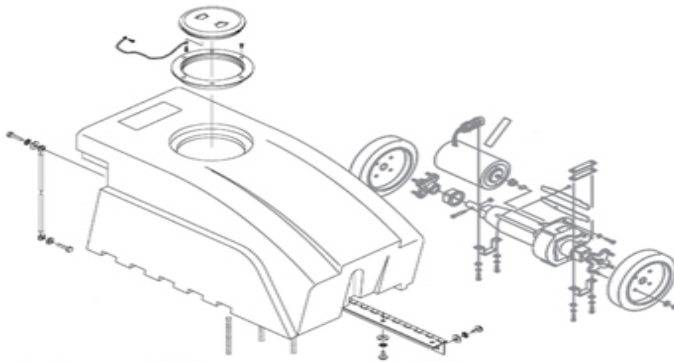
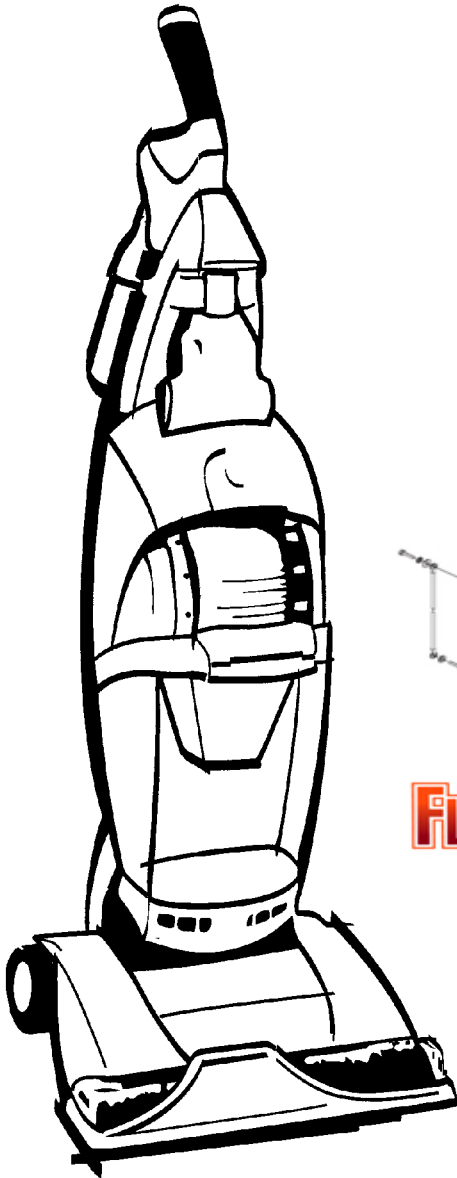


SECTION CONTENTS

<u>MODEL NO.</u>	<u>PAGE NO.</u>
U8347-900	11-2 THRU 11-11
U8351-900	11-2 THRU 11-11
U8351-950	11-2 THRU 11-11
U8361-900	11-12 THRU 11-20
U8371-900	11-21 THRU 11-29

[MODEL No.](#)

- U8347-900
- U8351-900
- U8351-950
- U8361-900
- U8371-900



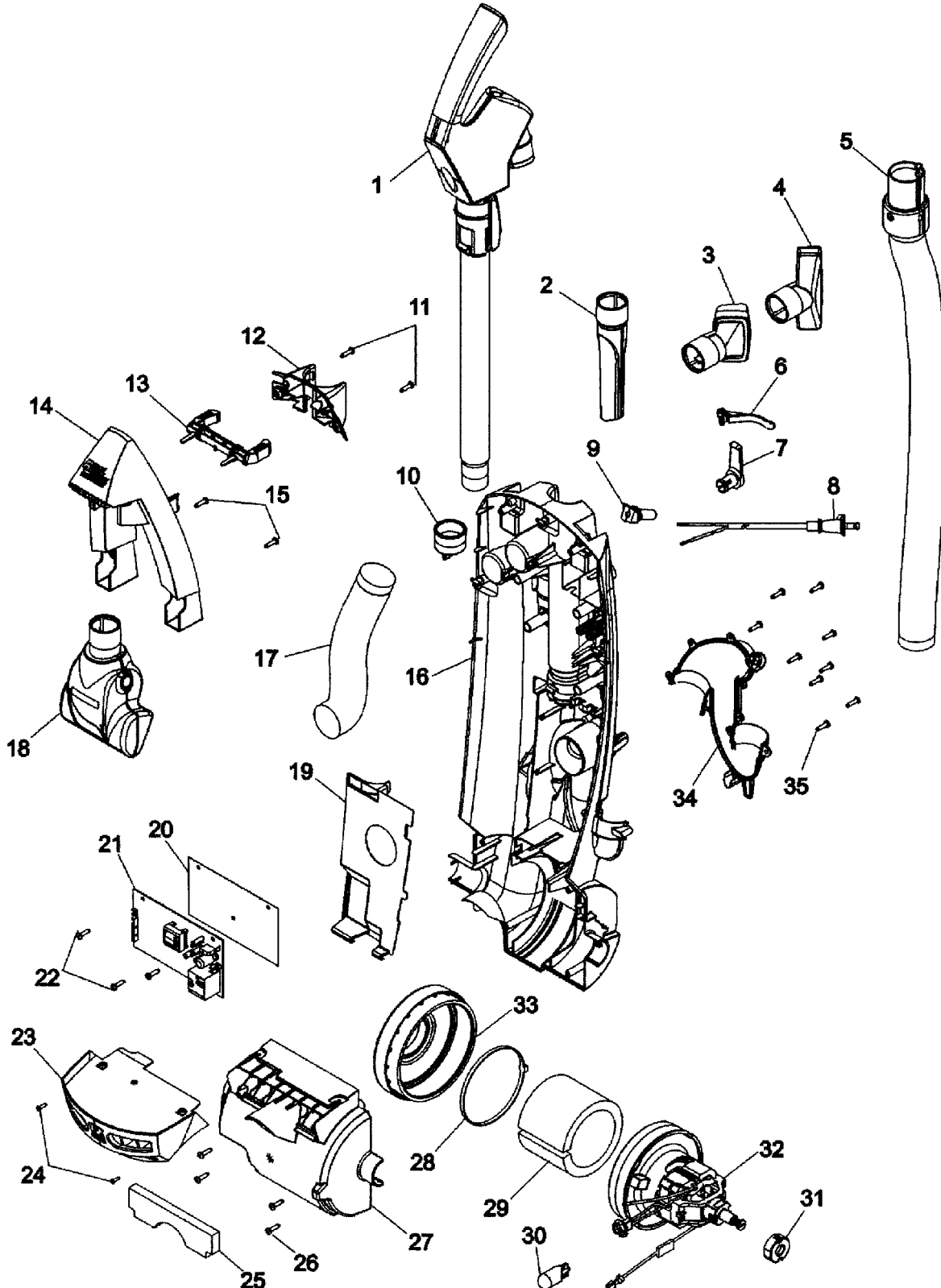
FLOOREQUIPMENTPARTS.COM

- * PRICING, SPECIFICATION'S, AND PRODUCT AVAILABILITY ARE SUBJECT TO CHANGE WITHOUT NOTICE. PRICING IS FOB FACTORY, CANTON, OH
- * ALL INFORMATION CONTAINED WITHIN THIS SERVICE MANUAL IS PROPRIETARY INFORMATION OF TTI FLOOR CARE NORTH AMERICA.
- * **WARNING:** TO REDUCE THE RISK OF ELECTRICAL SHOCK OR INJURY, ALWAYS DISCONNECT THE APPLIANCE CORD FROM THE ELECTRICAL OUTLET OR REMOVE BATTERY PRIOR TO SERVICING THE UNIT.



11

ASSEMBLY SCHEMATIC



MODEL NO.

U8347-900

U8351-900

U8351-950



11

PART LISTING / PRICE LIST

MODEL No.

U8347-900
U8351-900
U8351-950

ITEM	PART NUMBER	MODELS TO FIT	PART DESCRIPTION	LIST COST
1	91001184	ALL	UPPER HANDLE / WAND ASSEMBLY - RED	28.34
2	38617033	ALL	CREVICE TOOL - 7"	3.39
3	43414197	ALL	DUSTING BRUSH	2.68
4	92001196	ALL	FURNITURE NOZZLE - BLACK	3.39
5	43431232	ALL	HOSE ASSEMBLY	17.00
	43434275	ALL	HOSE ASSEMBLY - BONUS HOSE	25.50
6	91001117	ALL	HOSE CLIP	.57
7	91001153	ALL	CORD WRAP	1.12
8	46383334	ALL	POWER CORD - 35'	15.87
9	36215028	ALL	CORD PROTECTOR	1.81
10	92001290	ALL	WAND RETAINER - BLACK	1.12
11	21447242	ALL	SCREW - SELF TAPPING	1.12
12	91001121	ALL	RELEASE LATCH / WAND RETAINER - SILVER SAND MEDIUM	1.46
13	91001139	ALL	WAND RELEASE LATCH - SANDSTONE GRAY	2.59
14	91001154	ALL	UPPER HANDLE COVER - SILVER SAND MEDIUM	5.66
15	21447242	ALL	SCREW - SELF TAPPING	1.12
16	92001291	ALL	UPPER HOUSING / BACK PANEL - SILVER SAND MEDIUM	22.67
17	91001177	ALL	LOWER HOSE	4.53
18	91001185	ALL	TURBINE TOOL	28.34
19	91001113	ALL	WIRE COVER	N.A.
20	91001123	ALL	INSULATOR	1.12
21	91001164	ALL	PCB - POWER BOARD	56.69
22	21447242	ALL	SCREW - SELF TAPPING	1.12
23	91001150	ALL	DIRT LENS	4.53
24	21447228	ALL	SCREW - SELF TAPPING	.57
25	38769032	ALL	FINAL / EXHAUST FILTER	2.61
26	21447242	ALL	SCREW - SELF TAPPING	1.12
27	91001125	ALL	MOTOR COVER	5.66
28	91001178	ALL	LEAD WIRE TIE	.57
29	91001152	ALL	FOAM MOTOR MUFFLER	2.26
30	27313107	ALL	BULB	3.09



11

PART LISTING / PRICE LIST

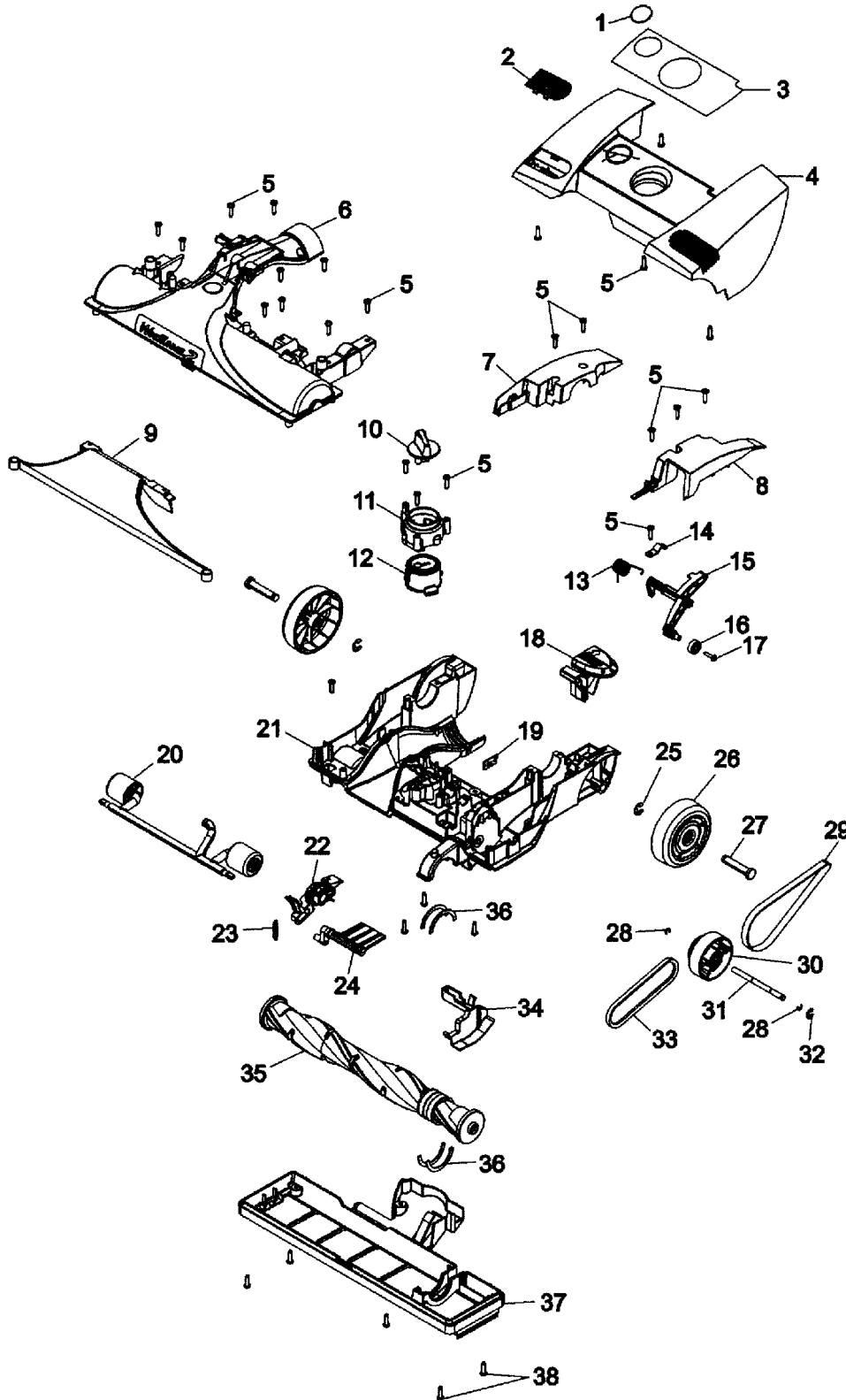
ITEM	PART NUMBER	MODELS TO FIT	PART DESCRIPTION	LIST COST
31	36322030	ALL	MOTOR MOUNT - SMALL	1.12
32	91001108	ALL	MOTOR ASSEMBLY	56.69
33	91001148	ALL	MOTOR SEAL - BLACK	5.66
34	91001141	ALL	DIRT DUCT COVER	2.26
35	21447242	ALL	SCREW - SELF TAPPING	1.12

MODEL No.

U8347-900
U8351-900
U8351-950



ASSEMBLY SCHEMATIC



MODEL NO.

U8347-900
U8351-900
U8351-950



11

PART LISTING / PRICE LIST

MODEL No.

U8347-900
U8351-900
U8351-950

ITEM	PART NUMBER	MODELS TO FIT	PART DESCRIPTION	LIST COST
1	51661020	ALL	MEDALLION	1.46
2	91001127	ALL	NON-EDF COVER	1.12
3	91001169	ALL	HOOD / NOZZLE COVER NAME PLATE	N.A.
4	91001131	ALL	HOOD / NOZZLE COVER	9.06
5	21447242	ALL	SCREW - SELF TAPPING	1.12
6	92001286	ALL	AGITATOR / BRUSH ROLL HOUSING - CLEAR	22.67
7	36131139	ALL	TRUNNION COVER - RIGHT SILVER SAND MEDIUM	1.33
8	91001112	ALL	TRUNNION COVER - LEFT SILVER SAND MEDIUM	1.12
9	91001179	ALL	NOZZLE LINER - CHERRY RED	3.73
10	91001134	ALL	HEIGHT ADJUSTMENT KNOB - SAND STONE GRAY	1.12
11	91001138	ALL	HEIGHT ADJUSTMENT CAM - BLACK	1.05
12	91001122	ALL	CAM HOLDER - BLACK	N.A.
13	38356014	ALL	TORSION SPRING	1.12
14	91001116	ALL	ACTUATOR ARM HOLDER	.89
15	91001136	ALL	IDLER PULLEY ARM	1.69
16	91001105	ALL	BEARING	2.82
17	91001103	ALL	SCREW - TAPPING	.57
18	38434026	ALL	HANDLE RELEASE LEVER - BLACK	2.26
19	91001165	ALL	PCB HALL ASSEMBLY	6.79
20	91001159	ALL	FRONT AXLE ASSEMBLY	14.16
21	91001156	ALL	MAIN BODY / NOZZLE BASE	22.67
22	42246150	ALL	VALVE ARM AND AGITATOR HOUSING INCLUDES #6	12.46
23	38331006	ALL	AGITATOR HOUSING VALVE ARM SPRING	1.12
24	91001142	ALL	VALVE DOOR	1.12
25	160017--	ALL	LOCK RING	.58
26	92001287	ALL	REAR WHEEL ASSEMBLY	5.66
27	32434007	ALL	REAR AXLE	1.12
28	91001106	ALL	RETAINING RING	.57
29	91001137	ALL	V-BELT	8.39
30	43241009	ALL	TRANSFER PULLY	16.65
31	91001110	ALL	TRANSFER PULLEY SHAFT	2.03
32	91001107	ALL	RETAINING RING	.57



11

PART LISTING / PRICE LIST

ITEM	PART NUMBER	MODELS TO FIT	PART DESCRIPTION	LIST COST
33	38528034	ALL	V - BELT	1.50 NON DISC
34	91001128	ALL	BELT COVER	.69
35	48414153	ALL	AGITATOR / BRUSH ROLL ASSEMBLY	14.62
36	38781053	ALL	AGITATOR / BRUSH ROLL PULLEY SEAL	.93
37	91001157	ALL	BOTTOM PLATE / NOZZLE GUARD	7.36
38	214793DA	ALL	SCREW - 5/8"	.57
	91001162	ALL	WIRE HARNESS	6.79
	59156137	ALL	BARE FLOOR BRUSH - 12"	12.46
	47811008	ALL	STATIC WIRE ASSEMBLY	8.13

MODEL No.

U8347-900

U8351-900

U8351-950

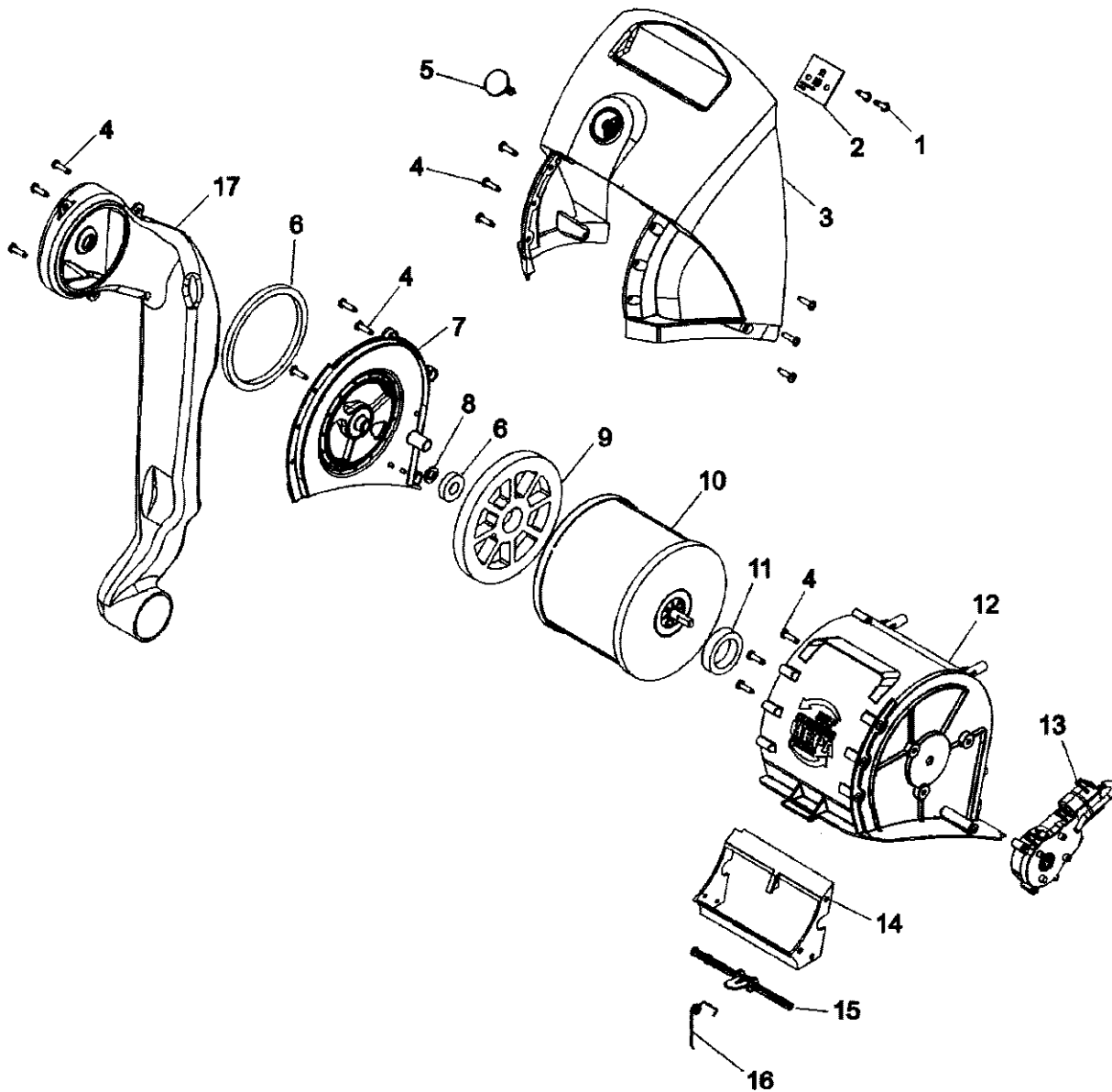


11

ASSEMBLY SCHEMATIC

MODEL NO.

U8347-900
U8351-900
U8351-950





11

PART LISTING / PRICE LIST

ITEM	PART NUMBER	MODELS TO FIT	PART DESCRIPTION	LIST COST
1	21447242	ALL	SCREW - SELF TAPPING	1.12
2	91001163	ALL	ON/OFF SWITCH	7.36
3	37258199	ALL	CARRY HANDLE COVER	10.47
4	214793DA	ALL	SCREW - 5/8"	.57
5	90001353	ALL	POWER BUTTON	2.03
6	91001147	ALL	GASKETS	2.82
7	12002820	ALL	FILTER KIT ASSEMBLY	57.74
8	91001171	ALL	THRUST WASHER	.57
9	91001172	ALL	FILTER GASKET	7.36
10	12002820	ALL	FILTER KIT ASSEMBLY	57.74
11	91001173	ALL	FILTER SPRING GASKET	2.03
12	91001181	ALL	FILTER HOUSING - CHERRY RED TRANSPNT	11.33
13	91001109	ALL	PRIMARY FILTER TRANSMISSION	15.74
14	91001143	ALL	FILTER PARTITION	1.46
15	91001155	ALL	FILTER FLICKER	1.69
16	91001175	ALL	FLICKER TORSION SPRING	.89
17	91001140	ALL	CLEAN AIR DUCT	6.79

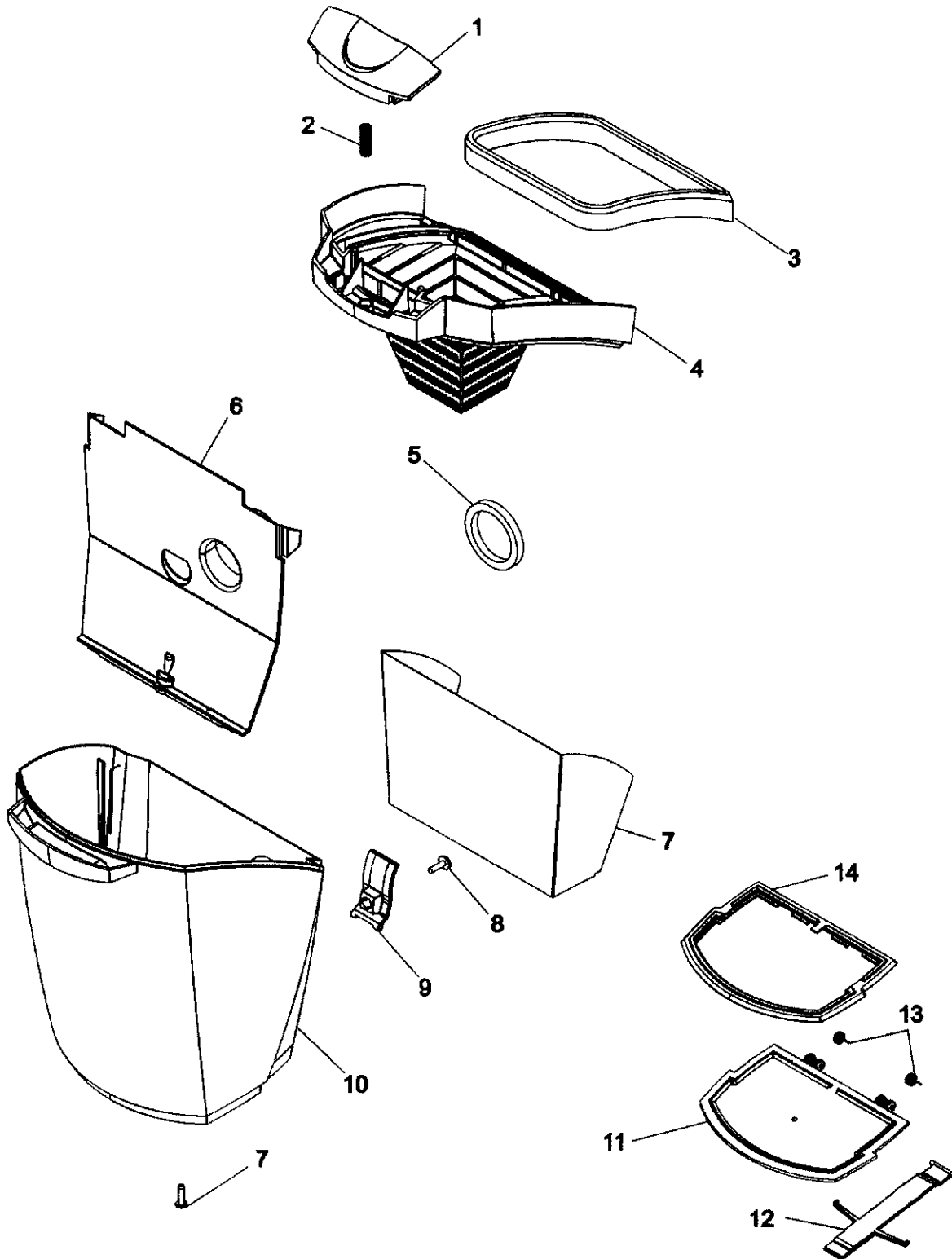
MODEL No.

U8347-900
U8351-900
U8351-950



11

ASSEMBLY SCHEMATIC



MODEL NO.

U8347-900

U8351-900

U8351-950



11

PART LISTING / PRICE LIST

ITEM	PART NUMBER	MODELS TO FIT	PART DESCRIPTION	LIST COST
1	91001115	ALL	DIRT CUP LATCH	.89
2	90001037	ALL	LATCH SPRING	1.12
3	92001288	ALL	DIRT CUP LID GASKET	7.36
4	91001182	ALL	DIRT CUP LID - CHERRY RED	14.16
5	91001147	ALL	GASKET	2.82
6	91001144	ALL	DIRT CUP PARTITION	4.53
7	92001289	ALL	DIRT CUP INSERT	1.12
8	21447242	ALL	SCREW - SELF TAPPING	1.12
9	91001135	ALL	DIRT CUP DOOR RELEASE BUTTON	1.69
10	91001183	U8351-900, U8351-950	DIRT CUP	34.01
	91001145	U8347-900	DIRT CUP	22.67
11	91001130	ALL	DIRT CUP DOOR	3.39
12	91001114	ALL	DIRT CUP DOOR LATCH LEVER	1.46
13	91001176	ALL	TORSION SPRING	.89
14	91001149	ALL	DIRT CUP DOOR GASKET	2.26
	12002864	ALL	DIRT CUP LID ASSEMBLY - KIT NEW DESIGN	14.97

MODEL No.

U8347-900
U8351-900
U8351-950