

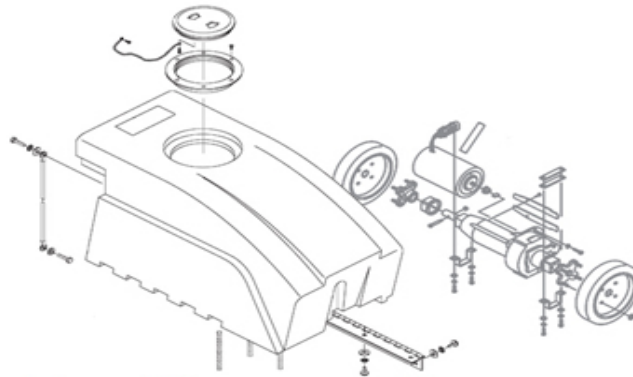
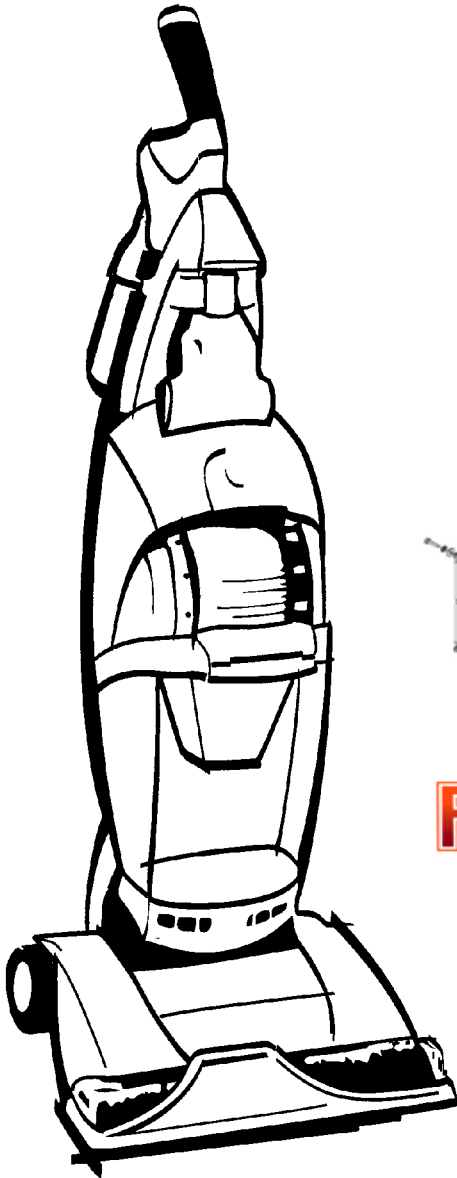


SECTION CONTENTS

<u>MODEL NO.</u>	<u>PAGE NO.</u>
U8347-900	11-2 THRU 11-11
U8351-900	11-2 THRU 11-11
U8351-950	11-2 THRU 11-11
U8361-900	11-12 THRU 11-20
U8371-900	11-21 THRU 11-29

[MODEL No.](#)

- U8347-900
- U8351-900
- U8351-950
- U8361-900
- U8371-900



FLOOREQUIPMENTPARTS.COM

- * PRICING, SPECIFICATION'S, AND PRODUCT AVAILABILITY ARE SUBJECT TO CHANGE WITHOUT NOTICE. PRICING IS FOB FACTORY, CANTON, OH
- * ALL INFORMATION CONTAINED WITHIN THIS SERVICE MANUAL IS PROPRIETARY INFORMATION OF TTI FLOOR CARE NORTH AMERICA.
- * **WARNING:** TO REDUCE THE RISK OF ELECTRICAL SHOCK OR INJURY, ALWAYS DISCONNECT THE APPLIANCE CORD FROM THE ELECTRICAL OUTLET OR REMOVE BATTERY PRIOR TO SERVICING THE UNIT.

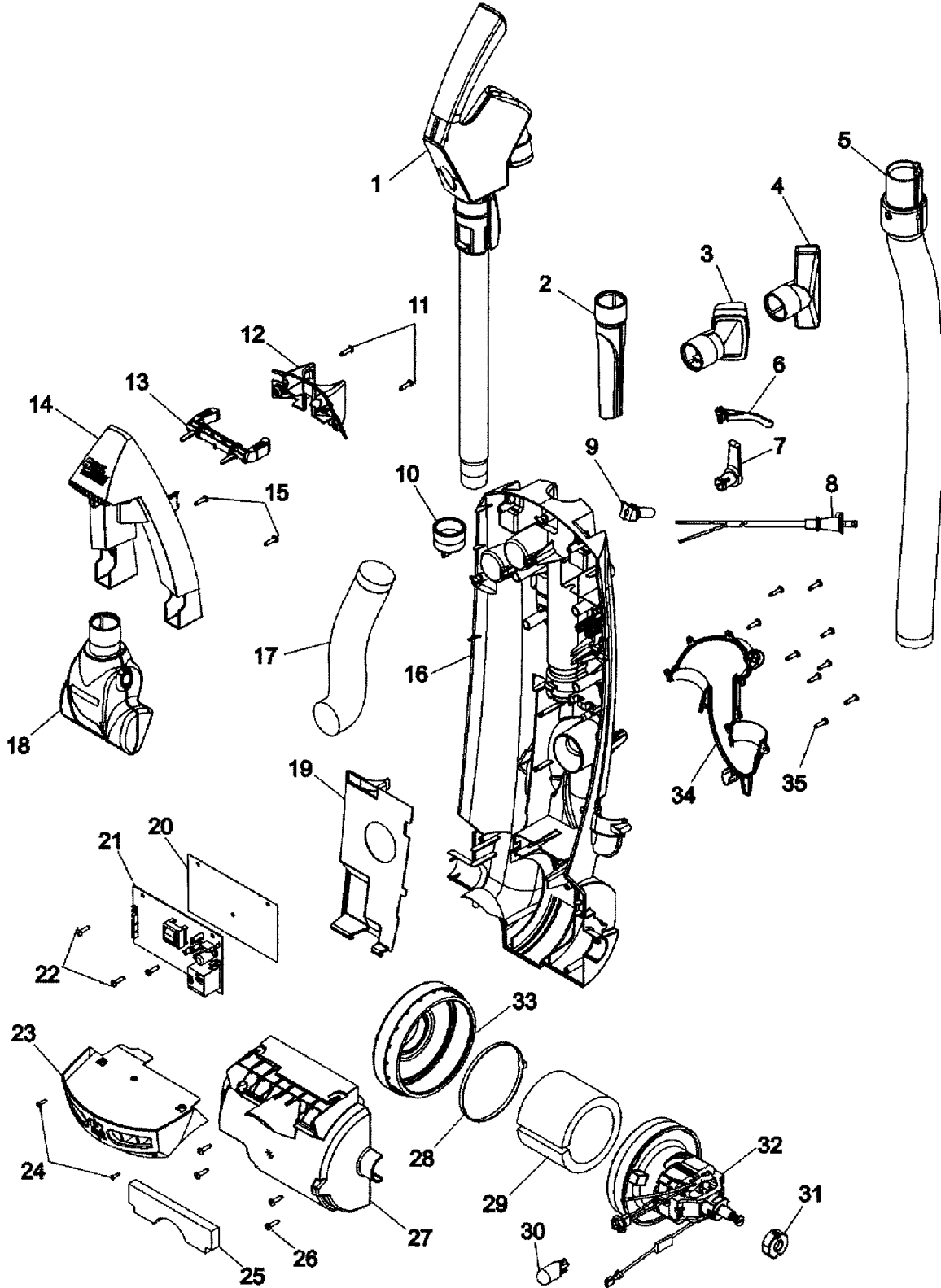


WINDTUNNEL[™] SURFACE COMMAND[™]

11

ASSEMBLY SCHEMATIC

MODEL NO.
U8361-900





11

PART LISTING / PRICE LIST

MODEL No.

U8361-900

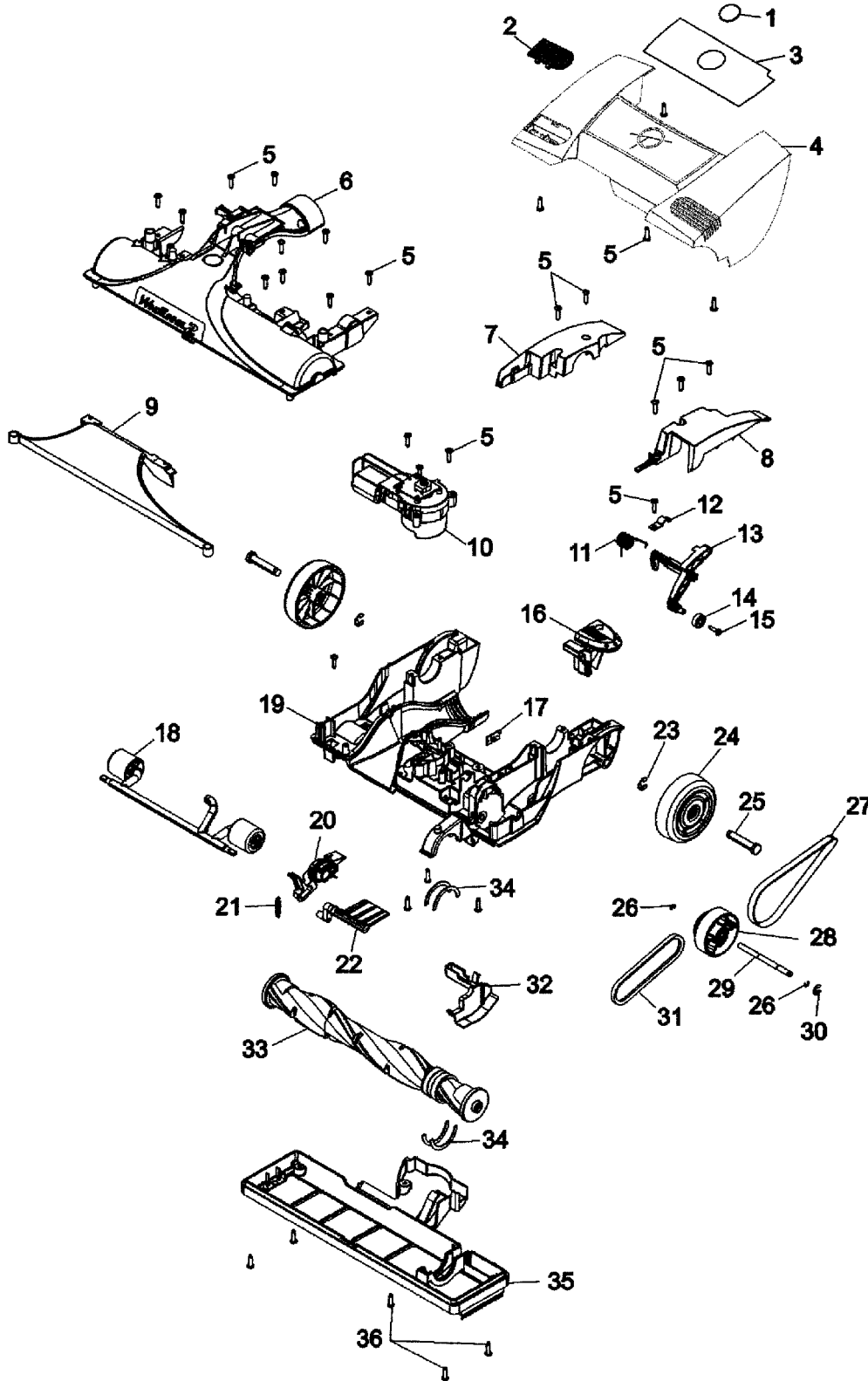
ITEM	PART NUMBER	MODELS TO FIT	PART DESCRIPTION	LIST COST
1	91001190	U8361-900	UPPER HANDLE / WAND ASSEMBLY	25.50
2	38617033	U8361-900	CREVICE TOOL - 7"	3.39
3	43414197	U8361-900	DUSTING BRUSH	2.68
4	92001196	U8361-900	FURNITURE NOZZLE	3.39
5	43431232	U8361-900	HOSE ASSEMBLY	17.00
	43434275	U8361-900	HOSE ASSEMBLY - BONUS HOSE	25.50
6	91001117	U8361-900	HOSE CLIP	.57
7	91001153	U8361-900	CORD WRAP	1.12
8	46383334	U8361-900	POWER CORD - 35'	15.87
9	36215028	U8361-900	CORD PROTECTOR	1.81
10	92001290	U8361-900	WAND RETAINER	1.12
11	21447242	U8361-900	SCREW - SELF TAPPING	1.12
12	91001121	U8361-900	RELEASE LATCH / WAND RETAINER	1.46
13	91001139	U8361-900	WAND RELEASE LATCH	2.59
14	91001154	U8361-900	UPPER HANDLE COVER	5.66
15	21447242	U8361-900	SCREW - SELF TAPPING	1.12
16	92001291	U8361-900	UPPER HOUSING / BACK PANEL	22.67
17	91001177	U8361-900	LOWER HOSE	4.53
18	49129032	U8361-900	TURBINE TOOL	14.62
19		U8361-900	WIRE COVER	
20	91001123	U8361-900	INSULATOR	1.12
21	46851068	U8361-900	PCB - POWER BOARD	62.24
22	21447242	U8361-900	SCREW - SELF TAPPING	1.12
23	91001150	U8361-900	DIRT LENS	4.53
24	21447228	U8361-900	SCREW - SELF TAPPING	.57
25	38769032	U8361-900	FINAL / EXHAUST FILTER	2.61
26	21447242	U8361-900	SCREW - SELF TAPPING	1.12
27	91001125	U8361-900	MOTOR COVER	5.66
28	91001178	U8361-900	LEAD WIRE TIE	.57
29	91001152	U8361-900	FOAM MOTOR MUFFLER	2.26
30	27313107	U8361-900	BULB	3.09
31	36322030	U8361-900	MOTOR MOUNT - SMALL	1.12
32	91001108	U8361-900	MOTOR ASSEMBLY	56.69
33	91001148	U8361-900	MOTOR SEAL	5.66
34	91001141	U8361-900	DIRT DUCT COVER	2.26
35	21447242	U8361-900	SCREW - SELF TAPPING	1.12



WINDTUNNEL[™] SURFACE COMMAND[™] 2

11

ASSEMBLY SCHEMATIC



MODEL NO.
U8361-900



11

PART LISTING / PRICE LIST

MODEL No.

U8361-900

ITEM	PART NUMBER	MODELS TO FIT	PART DESCRIPTION	LIST COST
1	51661020	U8361-900	MEDALLION	1.46
2	91001127	U8361-900	NON-EDF COVER	1.12
3	91001187	U8361-900	HOOD / NOZZLE COVER NAME PLATE	4.07
4	92001292	U8361-900	HOOD / NOZZLE COVER - SPLIT	8.49
5	21447242	U8361-900	SCREW - SELF TAPPING	1.12
6	92001286	U8361-900	AGITATOR / BRUSH ROLL HOUSING	22.67
7	36131139	U8361-900	TRUNNION COVER - RIGHT	1.33
8	91001112	U8361-900	TRUNNION COVER - LEFT	1.12
9	92001294	U8361-900	NOZZLE LINER - NEURON ORANGE	3.73
10	91001188	U8361-900	HEIGHT ADJUSTMENT TRANSMISSION	19.83
11	38356014	U8361-900	TORSION SPRING	1.12
12	91001116	U8361-900	ACTUATOR ARM HOLDER	.89
13	91001136	U8361-900	IDLER PULLEY ARM	1.69
14	91001105	U8361-900	BEARING	2.82
15	91001103	U8361-900	SCREW - TAPPING	.57
16	38434026	U8361-900	HANDLE RELEASE LEVER	2.26
17	91001165	U8361-900	PCB HALL ASSEMBLY	6.79
18	91001159	U8361-900	FRONT AXLE ASSEMBLY	14.16
19	91001156	U8361-900	MAIN BODY / NOZZLE BASE	22.67
20	42246150	U8361-900	VALVE ARM AND AGITATOR HOUSING INCLUDES #6	12.46
21	38331006	U8361-900	VALVE ARM SPRING	1.12
22	91001142	U8361-900	VALVE DOOR	1.12
23	160017--	U8361-900	LOCK RING	.58
24	92001287	U8361-900	REAR WHEEL ASSEMBLY	5.66
25	32434007	U8361-900	REAR AXLE	1.12
26	91001106	U8361-900	RETAINING RING	.57
27	91001137	U8361-900	V-BELT	8.39
28	43241009	U8361-900	TRANSFER PULLEY	16.65
29	91001110	U8361-900	TRANSFER PULLEY SHAFT	2.03
30	91001107	U8361-900	RETAINING RING	.57
31	38528034	U8361-900	V - BELT	1.50 NON DISC
32	91001128	U8361-900	BELT COVER	.69
33	48414153	U8361-900	AGITATOR / BRUSH ROLL ASSEMBLY	14.62
34	38781053	U8361-900	AGITATOR / BRUSH ROLL PULLEY SEAL	.93
35	91001157	U8361-900	BOTTOM PLATE / NOZZLE GUARD	7.36



11

PART LISTING / PRICE LIST

ITEM	PART NUMBER	MODELS TO FIT	PART DESCRIPTION	LIST COST
36	214793DA	U8361-900	SCREW	.57
	91001193	U8361-900	WIRE HARNESS	N.L.A.
	59156137	U8361-900	BARE FLOOR BRUSH - 12"	12.46
	47811008	U8361-900	STATIC WIRE ASSEMBLY	8.13

MODEL No.

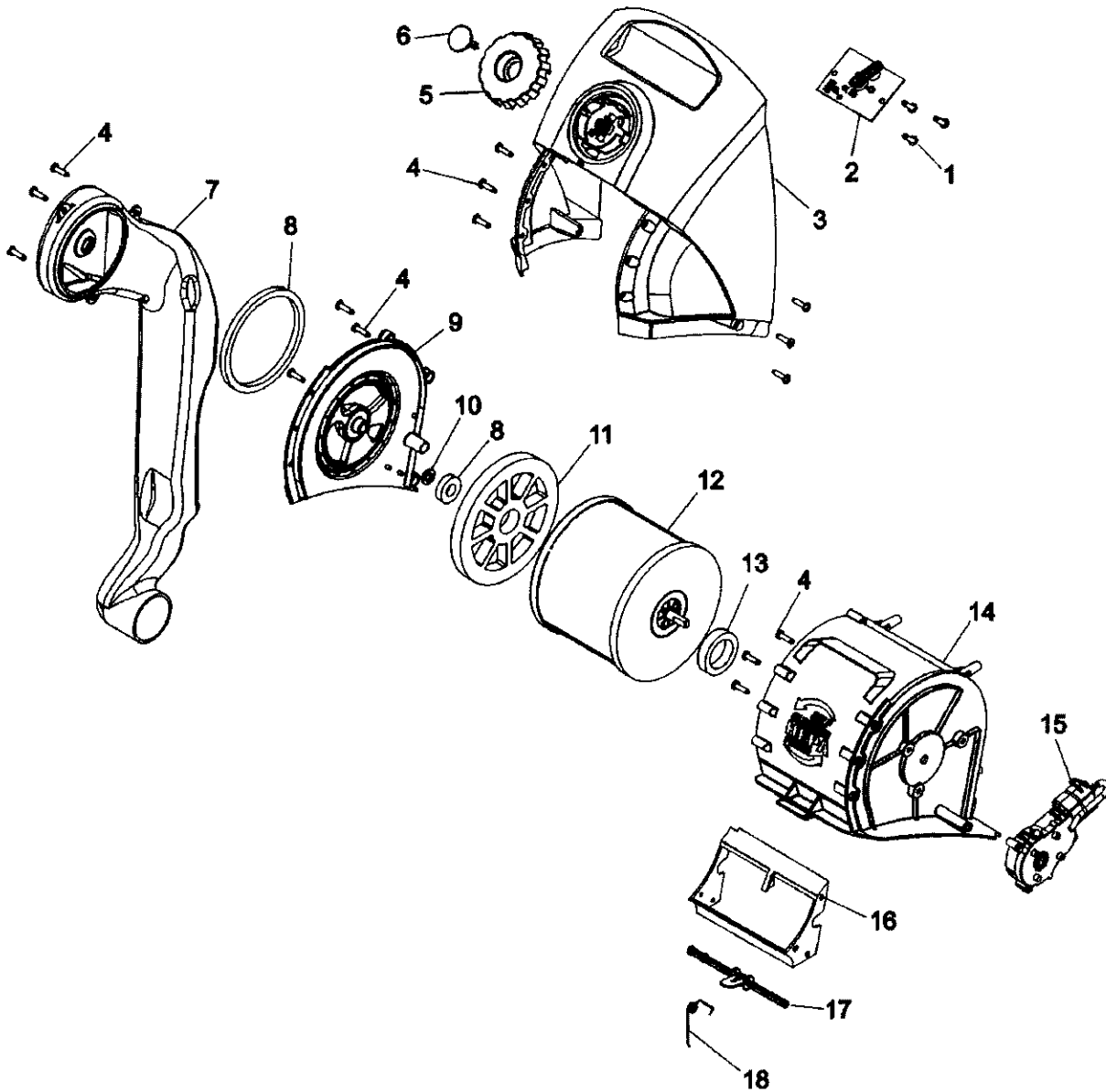
U8361-900



11

ASSEMBLY SCHEMATIC

MODEL NO.
U8361-900





11

PART LISTING / PRICE LIST

MODEL No.

U8361-900

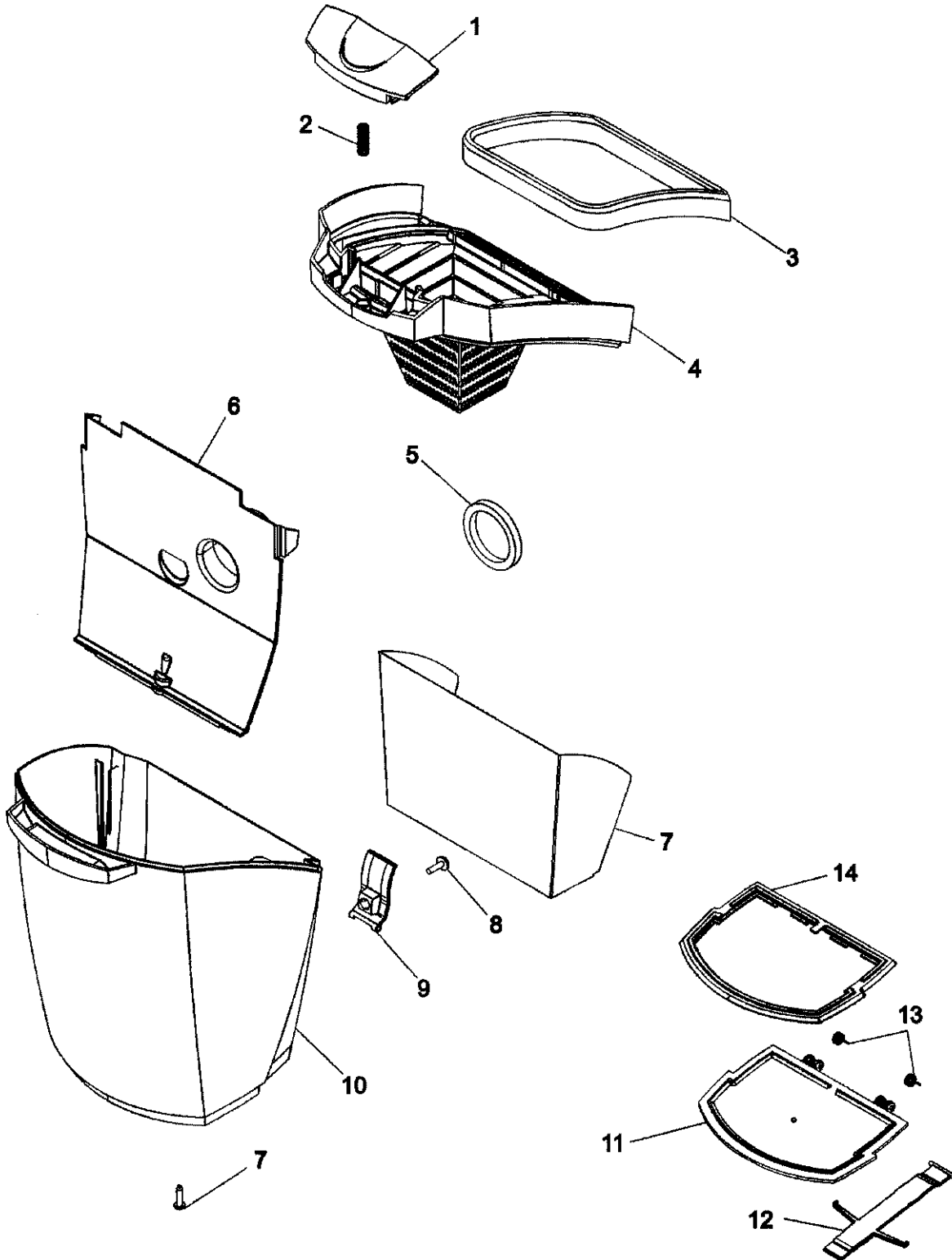
ITEM	PART NUMBER	MODELS TO FIT	PART DESCRIPTION	LIST COST
1	21447242	U8361-900	SCREW - SELF TAPPING	1.12
2	91001189	U8361-900	PCB HEIGHT ADJUSTMENT BOARD	8.49
3	37258198	U8361-900	CARRY HANDLE COVER	19.79
4	214793DA	U8361-900	SCREW	.57
5	38411041	U8361-900	HEIGHT ADJUSTMENT KNOB	9.01
6	90001353	U8361-900	POWER BUTTON	2.03
7	91001140	U8361-900	CLEAN AIR DUCT	6.79
8	91001147	U8361-900	GASKET	2.82
9	12002820	U8361-900	FILTER KIT ASSEMBLY	57.74
10	91001171	U8361-900	THRUST WASHER	.57
11	91001172	U8361-900	FILTER GASKET	7.36
12	12002820	U8361-900	FILTER KIT ASSEMBLY	57.74
13	91001173	U8361-900	FILTER SPRING GASKET	2.03
14	92001296	U8361-900	FILTER HOUSING	9.06
15	91001109	U8361-900	PRIMARY FILTER TRANSMISSION	15.74
16	91001143	U8361-900	FILTER PARTITION	1.46
17	91001155	U8361-900	FILTER FLICKER	1.69
18	91001175	U8361-900	FLICKER TORSION SPRING	.89



11

ASSEMBLY SCHEMATIC

MODEL NO.
U8361-900





11

PART LISTING / PRICE LIST

MODEL No.

U8361-900

ITEM	PART NUMBER	MODELS TO FIT	PART DESCRIPTION	LIST COST
1	91001115	U8361-900	DIRT CUP LATCH	.89
2	90001037	U8361-900	LATCH SPRING	1.12
3	92001288	U8361-900	DIRT CUP LID GASKET	7.36
4	92001298	U8361-900	DIRT CUP LID - NEURON ORANGE	13.03
5	91001147	U8361-900	GASKET	2.82
6	91001144	U8361-900	DIRT CUP PARTITION	4.53
7	92001289	U8361-900	DIRT CUP INSERT	1.12
8	21447242	U8361-900	SCREW - SELF TAPPING	1.12
9	91001135	U8361-900	DIRT CUP DOOR RELEASE BUTTON	1.69
10	92001299	U8361-900	DIRT CUP	14.16
11	91001130	U8361-900	DIRT CUP DOOR	3.39
12	91001114	U8361-900	DIRT CUP DOOR LATCH LEVER	1.46
13	91001176	U8361-900	TORSION SPRING	.89
14	91001149	U8361-900	DIRT CUP DOOR GASKET	2.26
	12002864	U8361-900	DIRT CUP LID ASSEMBLY - KIT NEW DESIGN	14.97