

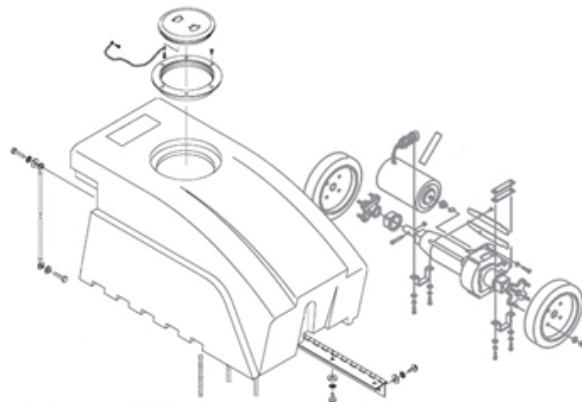


SECTION CONTENTS

<u>MODEL No.</u>	<u>PAGE No.</u>
U8311900	10-2 THRU 10-7

[MODEL No.](#)

U8311900



FLOOREQUIPMENTPARTS.COM

- * PRICING, SPECIFICATION'S, AND PRODUCT AVAILABILITY ARE SUBJECT TO CHANGE WITHOUT NOTICE. PRICING IS FOB FACTORY, CANTON, OH
- * ALL INFORMATION CONTAINED WITHIN THIS SERVICE MANUAL IS PROPRIETARY INFORMATION OF TTI FLOOR CARE NORTH AMERICA.
- * **WARNING:** TO REDUCE THE RISK OF ELECTRICAL SHOCK OR INJURY, ALWAYS DISCONNECT THE APPLIANCE CORD FROM THE ELECTRICAL OUTLET OR REMOVE BATTERY PRIOR TO SERVICING THE UNIT.

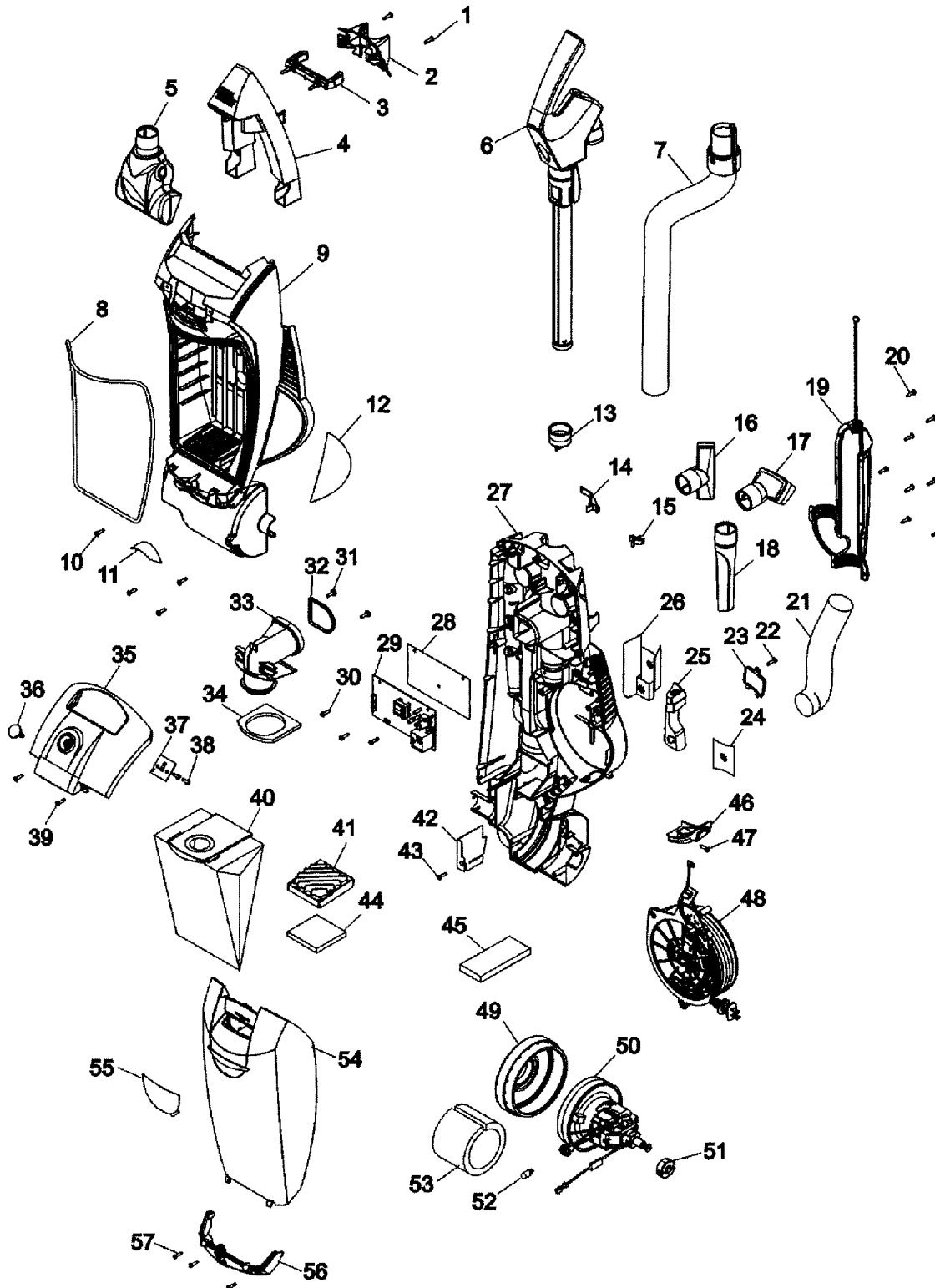


WINDTUNNEL™ 2

10

ASSEMBLY SCHEMATIC

MODEL NO.
U8311900





10

PART LISTING / PRICE LIST

MODEL No.

U8311900

ITEM	PART NUMBER	MODELS To FIT	PART DESCRIPTION	LIST COST
1	21447242	U8311900	SCREW - SELF TAPPING	1.12
2	91001121	U8311900	WAND RELEASE LATCH RETAINER	1.46
3	91001139	U8311900	WAND RELEASE LATCH - SANDSTONE GRAY	2.59
4	91001154	U8311900	UPPER HANDLE COVER	5.66
5	49129032	U8311900	TURBINE TOOL	14.62
6	48642100	U8311900	UPPER HANDLE / WAND ASSEMBLY	22.67
7	43431232	U8311900	HOSE ASSEMBLY	17.00
8	38781107	U8311900	BAG DOOR SEAL	2.87
9	37255042	U8311900	FRONT BAG HOUSING	29.52
10	21447242	U8311900	SCREW - SELF TAPPING	1.12
11	91001151	U8311900	REFLECTOR	N.L.A.
12	51639209	U8311900	CORD REEL NAME PLATE	1.07
13	92001290	U8311900	WAND RETAINER	1.12
14	91001117	U8311900	HOSE CLIP	.57
15	36172039	U8311900	CORD CLIP	.89
16	92001196	U8311900	FURNITURE NOZZLE	3.39
17	43414197	U8311900	DUSTING BRUSH ASSEMBLY	2.68
18	38617033	U8311900	CREVICE TOOL	3.39
19	47823014	U8311900	MICRO / DUCT ASSEMBLY	6.79
20	21447242	U8311900	SCREW - SELF TAPPING	1.12
21	91001177	U8311900	LOWER HOSE	4.53
22	21447242	U8311900	SCREW - SELF TAPPING	1.12
23	37257317	U8311900	FILTER COVER PLATE	.40
24	36913045	U8311900	INSULATOR	.44
25	38422134	U8311900	CORD REEL RELEASE LEVER	.85
26	36913044	U8311900	WIRE INSULATOR	.73
27		U8311900	BACK BAG HOUSING	N.A.
28	91001123	U8311900	INSULATOR	1.12
29	46851065	U8311900	PCB BOARD - POWER	45.35
30	21447242	U8311900	SCREW - SELF TAPPING	1.12
31		U8311900	TAPPING SCREW	N.A.
32	38781108	U8311900	UPPER DIRT DUCT SEAL	2.26
33	38643024	U8311900	UPPER DIRT DUCT	2.03
34	38785027	U8311900	DIRT DUCT GASKET	1.12
35	37246163	U8311900	CONTROL PANEL COVER	3.96
36	90001353	U8311900	POWER BUTTON	2.03



10

PART LISTING / PRICE LIST

MODEL No.

U8311900

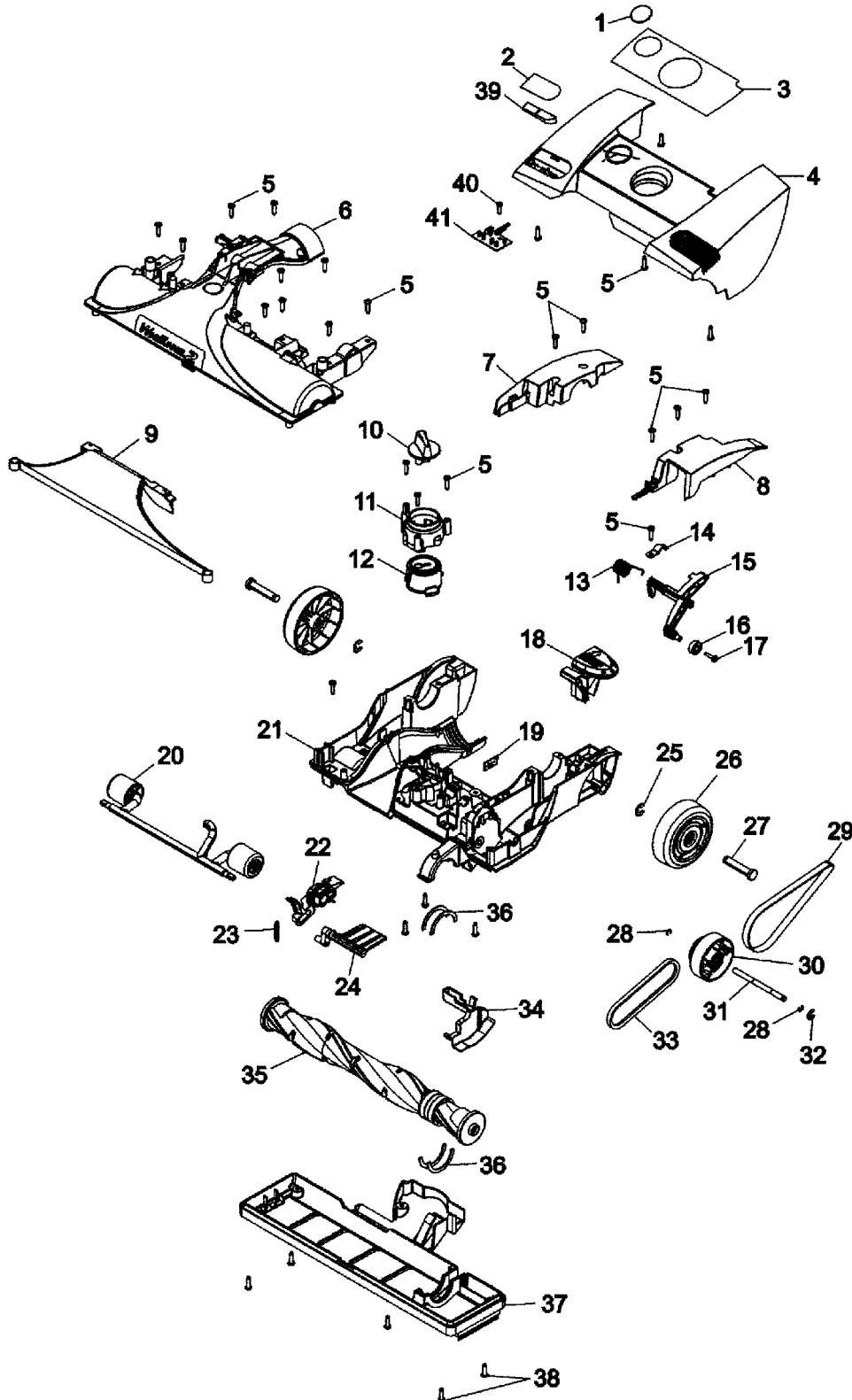
ITEM	PART NUMBER	MODELS To FIT	PART DESCRIPTION	LIST COST
37	91001163	U8311900	PCB BOARD - ON/OFF SWITCH	7.36
38	21447242	U8311900	SCREW - SELF TAPPING	1.12
39	21447242	U8311900	SCREW - SELF TAPPING	1.12
40	43655114	U8311900	TYPE W2 HEPA BAG	7.34
	36425086	U8311900	BAG MOUNTING PLATE	4.83
41	38765029	U8311900	SECONDARY / INLET FILTER RETAINER	1.12
42	36913046	U8311900	WIRE INSULATOR	.73
43	21447242	U8311900	SCREW - SELF TAPPING	1.12
44	38765031	U8311900	SECONDARY / INLET FILTER	2.09
45	38765030	U8311900	FINAL / EXHAUST FILTER	2.09
46		U8311900	CORD CATCH	N.A.
47	21447242	U8311900	SCREW - SELF TAPPING	1.12
48	46833002	U8311900	CORD REEL ASSEMBLY	30.04
49	91001148	U8311900	MOTOR SEAL	5.66
50	91001108	U8311900	MOTOR ASSEMBLY	56.69
51	36322030	U8311900	MOTOR MOUNT - SMALL	1.12
52	27313107	U8311900	BULB	3.09
53	91001152	U8311900	FOAM MOTOR MUFFLER	2.26
54	37254273	U8311900	FRONT BAG DOOR ASSEMBLY	22.67
55	51632019	U8311900	FRONT BAG DOOR NAME PLATE	.93
56		U8311900	LENS	N.A.
57	21447228	U8311900	SCREW - SELF TAPPING	.57



10

ASSEMBLY SCHEMATIC

MODEL NO.
U8311900





10

PART LISTING / PRICE LIST

MODEL No.

U8311900

ITEM	PART NUMBER	MODELS TO FIT	PART DESCRIPTION	LIST COST
1	51661020	U8311900	MEDALLION	1.46
2	51464005	U8311900	EDF LABEL	.55
3	91001169	U8311900	HOOD / NOZZLE COVER NAME PLATE	N.A.
4	91001131	U8311900	HOOD / NOZZLE COVER	9.06
5	21447242	U8311900	SCREW - SELF TAPPING	1.12
6	92001286	U8311900	AGITATOR / BRUSH ROLL HOUSING	22.67
7	36131139	U8311900	TRUNNION COVER - RIGHT	1.33
8	91001112	U8311900	TRUNNION COVER - LEFT	1.12
9	37243065	U8311900	NOZZLE HOUSING LINER	3.73
10	91001134	U8311900	HEIGHT ADJUSTMENT KNOB	1.12
11	91001138	U8311900	HEIGHT ADJUSTMENT CAM	1.05
12		U8311900	CAM HOLDER	N.A.
13	38356014	U8311900	TORSION SPRING	1.12
14	91001116	U8311900	ACTUATOR ARM TRUNNION	.89
15	91001136	U8311900	IDLER PULLEY ARM	1.69
16	91001105	U8311900	BEARING	2.82
17	91001103	U8311900	SCREW - SELF TAPPING	.57
18	38434026	U8311900	HANDLE RELEASE LEVER	2.26
19	91001165	U8311900	PCB HALL ASSEMBLY	6.79
20	91001159	U8311900	FRONT AXLE ASSEMBLY	14.16
21	91001156	U8311900	MAIN BODY / NOZZLE BASE	22.67
22	42246150	U8311900	VALVE ARM AND AGITATOR HOUSING INCLUDES #6	12.46
23	38331006	U8311900	SPRING - TURBINE ACTUATOR	1.12
24	91001142	U8311900	VALVE DOOR - BLACK	1.12
25	160017--	U8311900	LOCK RING	.58
26	92001287	U8311900	REAR WHEEL ASSEMBLY	5.66
27	32434007	U8311900	REAR AXLE	1.12
28	91001106	U8311900	RETAINING RING	.57
29	91001137	U8311900	V-BELT	8.39
30	43241009	U8311900	TRANSFER PULLEY	16.65
31	91001110	U8311900	TRANSFER PULLEY SHAFT	2.06
32	91001107	U8311900	RETAINING RING	.57
33	38528034	U8311900	V - BELT	1.50 NON DISC
34	91001128	U8311900	BELT COVER - BLACK	.69
35	48414153	U8311900	AGITATOR / BRUSH ROLL ASSEMBLY	14.62



10

PART LISTING / PRICE LIST

MODEL No.

U8311900

ITEM	PART NUMBER	MODELS TO FIT	PART DESCRIPTION	LIST COST
36	38781053	U8311900	AGITATOR / BRUSH ROLL PULLEY SEAL	.93
37	91001157	U8311900	BOTTOM PLATE / NOZZLE GUARD	7.36
38	214793DA	U8311900	SCREW	.57
39		U8311900	EDF LENS	N.A.
40	214793DA	U8311900	SCREW	.57
41	46851060	U8311900	EDF CIRCUIT BOARD	7.70
	47811008	U8311900	STATIC WIRE ASSEMBLY	8.13



10

NOTES

MODEL NO.

U8311900