



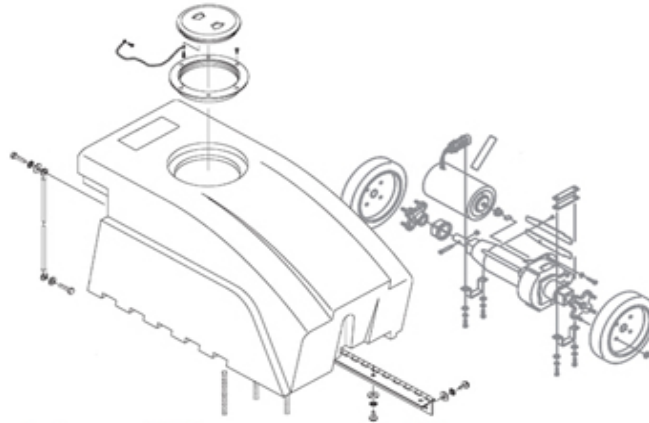
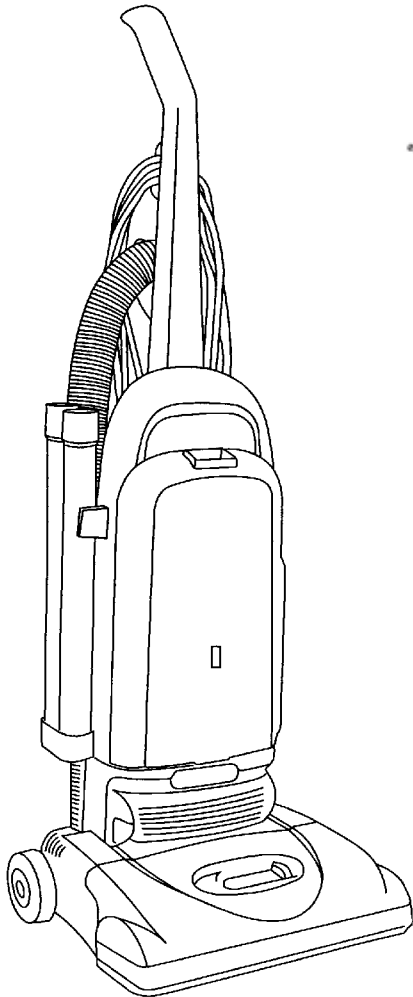
1

SECTION CONTENTS

<u>MODEL No.</u>	<u>PAGE No.</u>
U5140-900	1-2 THRU 1-6

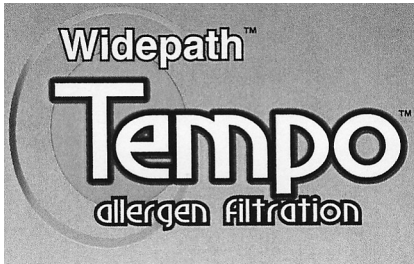
MODEL No.

U5140-900



FLOOREQUIPMENTPARTS.COM

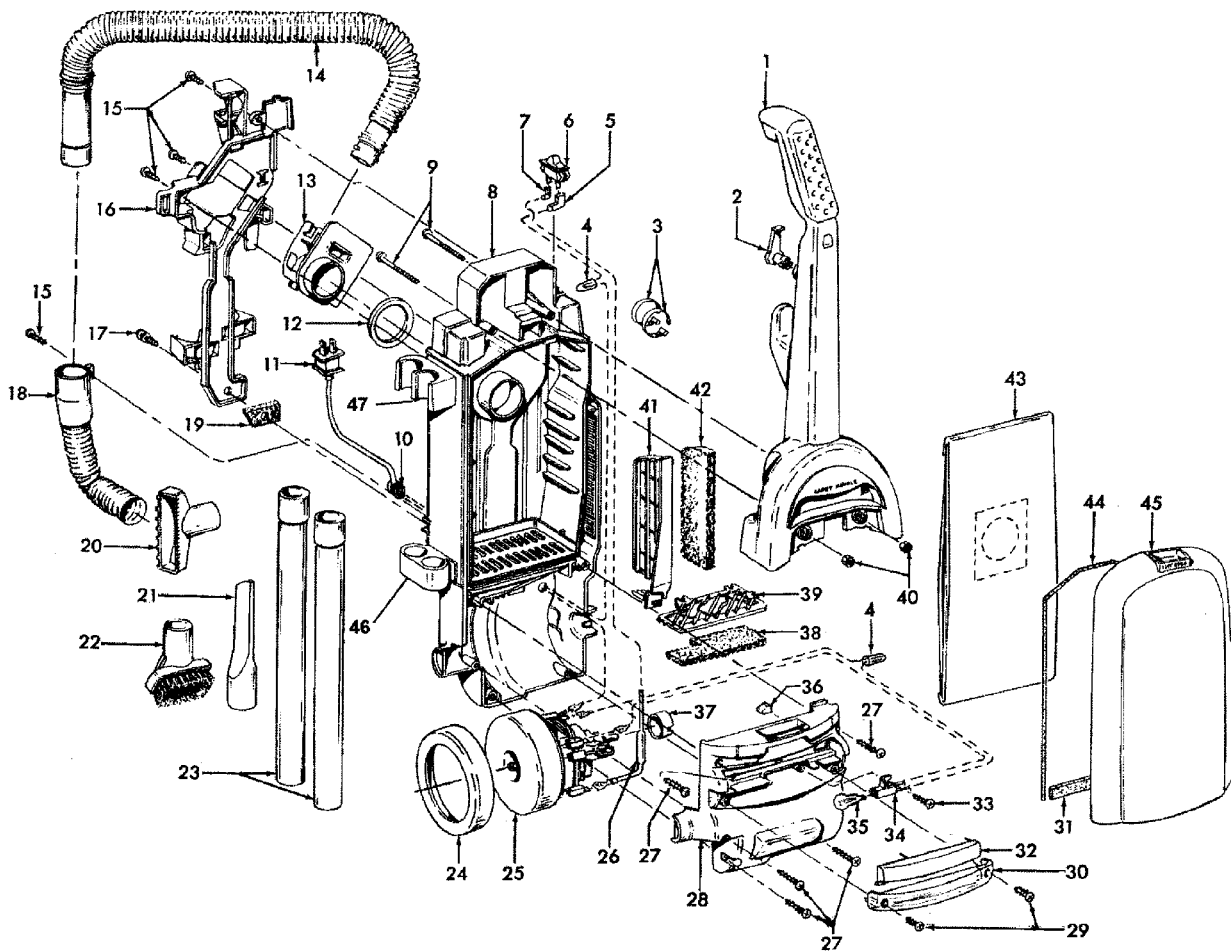
- * PRICING, SPECIFICATION'S, AND PRODUCT AVAILABILITY ARE SUBJECT TO CHANGE WITHOUT NOTICE. PRICING IS FOB FACTORY, CANTON, OH
- * ALL INFORMATION CONTAINED WITHIN THIS SERVICE MANUAL IS PROPRIETARY INFORMATION OF TTI FLOOR CARE NORTH AMERICA.
- * **WARNING:** TO REDUCE THE RISK OF ELECTRICAL SHOCK OR INJURY, ALWAYS DISCONNECT THE APPLIANCE CORD FROM THE ELECTRICAL OUTLET OR REMOVE BATTERY PRIOR TO SERVICING THE UNIT.



1

ASSEMBLY SCHEMATIC

MODEL NO.
U5140-900





1

PART LISTING / PRICE LIST

ITEM	PART NUMBER	MODELS TO FIT	PART DESCRIPTION	LIST COST
1	48663206	U5140-900	HANDLE ASSEMBLY	15.87
2	39442048	U5140-900	CORD WRAP - MAHNESIUM GRAY	1.14
3	27479307	U5140-900	CABLE TIE	.45
4	27618508	U5140-900	WIRE CONNECTOR	1.12
5	N.A.	U5140-900		
6	28161067	U5140-900	SWITCH	2.63
	40309033	U5140-900	SWITCH KIT - ORDER 28161067 / 49811075 / 018972--	N.L.A.
7	N.A	U5140-900		
8	37259026	U5140-900	UPPER/BACK HOUSING	29.20
9	40201149	U5140-900	HANDLE HARDWARE ASSEMBLY SCREWS	2.26
10	27482230	U5140-900	STRAIN RELIEF	1.12
11	46383334	U5140-900	POWER CORD - 35'	15.87
12	31178017	U5140-900	HOSE CONNECTOR GASKET	1.12
13	38641005	U5140-900	DIRT DUCT	2.59
14	43434248	U5140-900	HOSE ASSEMBLY COMPLETE	9.74
15	21447242	U5140-900	SCREW - SELF TAPPING	1.12
16	92001070	U5140-900	TOOL/HOSE HOLDER	3.96
17	23149002	U5140-900	SCREW - SELF TAPPING	.57
18	43431005	U5140-900	HOSE DOOR ASSEMBLY	9.06
19	34311004	U5140-900	WIRE OPENING SEAL	1.12
20	38614044	U5140-900	FURNITURE NOZZLE	5.66
21	38617027	U5140-900	CREVICE TOOL	6.20
22	43414197	U5140-900	DUSTING BRUSH ASSEMBLY - BLACK	2.68
23	38634078	U5140-900	EXTENSION TUBE	6.79
24	36322037	U5140-900	MOTOR MOUNT - LARGE	2.59
25	27212057	U5140-900	MOTOR ASSEMBLY COMPLETE	62.09
	90001206	U5140-900	FAN	3.39
	41311017	U5140-900	MOTOR BRUSH	4.86
26	28382086	U5140-900	THERMAL PROTECTOR	7.48
27	21447230	U5140-900	SCREW - SELF TAPPING	1.12
28	37196158	U5140-900	MOTOR COVER	9.06
29	21447228	U5140-900	SCREW - SELF TAPPING	.57
30	39383107	U5140-900	LENS	2.59
31	34123050	U5140-900	BAG DOOR GASKET - BOTTOM	1.12
32	37944010	U5140-900	COVER	1.13
33	21447072	U5140-900	SCREW	.57

MODEL No.

U5140-900



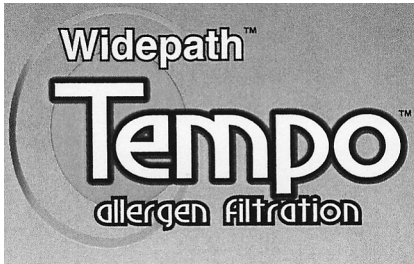
1

PART LISTING / PRICE LIST

MODEL No.

U5140-900

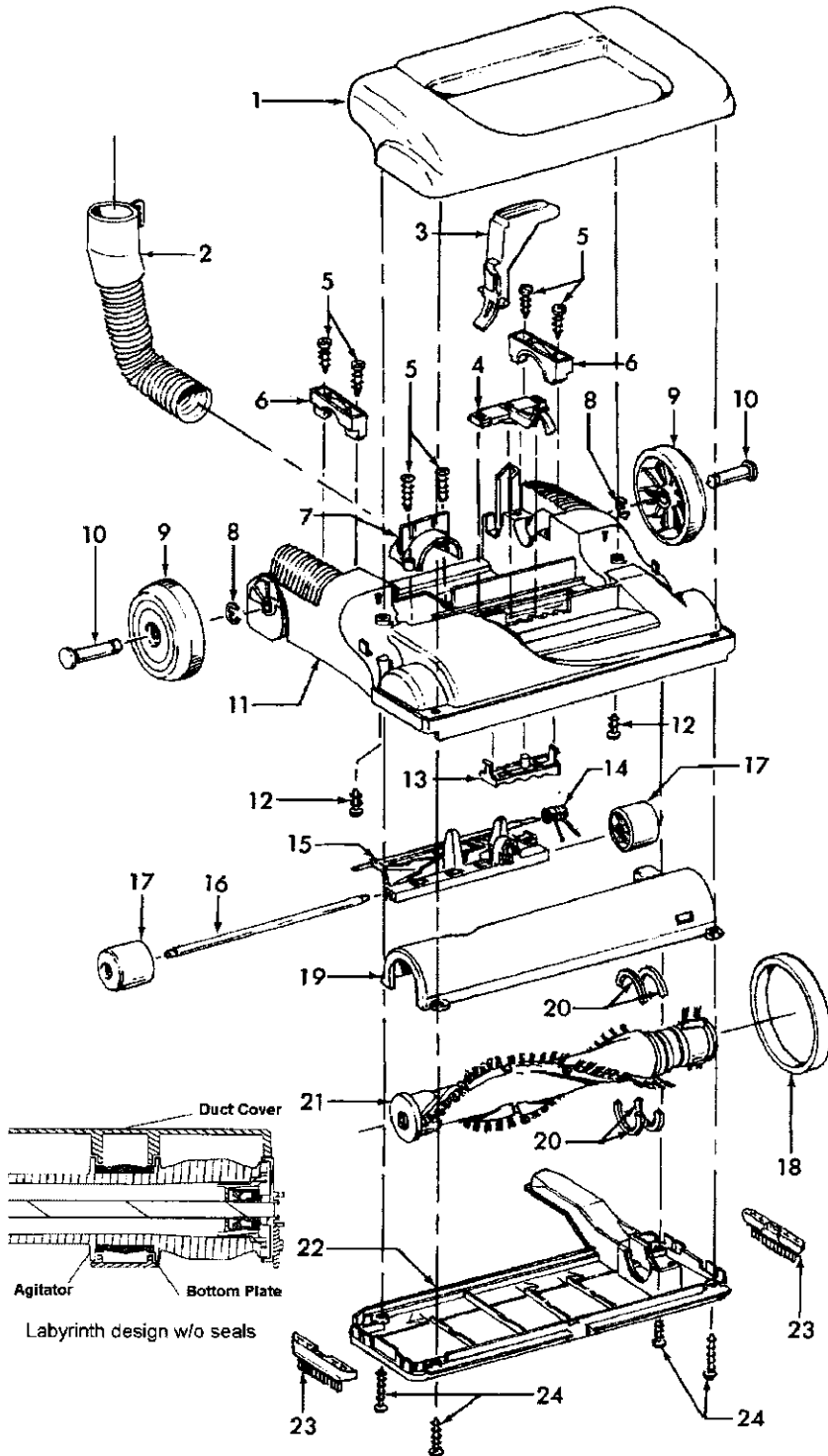
ITEM	PART NUMBER	MODELS TO FIT	PART DESCRIPTION	LIST COST
34	47173023	U5140-900	WIRING HARNESS	N.L.A.
35	27313101	U5140-900	LAMP	2.26
36	34131019	U5140-900	WIRING OPENING PLUG	1.12
37	36322030	U5140-900	MOTOR MOUNT - SMALL	1.12
38	38765019	U5140-900	SECONDARY / INLET FILTER	3.44
39	36426034	U5140-900	FILTER RETAINER	1.46
40	40201149	U5140-900	HANDLE HARDWARE ASSEMBLY - NUTS	2.26
41	36426060	U5140-900	EXHAUST FILTER HOLDER	1.81
42	38766008	U5140-900	FINAL / EXHAUST FILTER	1.21
	40110004	U5140-900	FINAL / EXHAUST FILTER - 12 PACK	3.49 NON DISC
43	4010100Y	U5140-900	TYPE Y ALLERGY - 3 PACK	3.62 NON DISC
44	38781057	U5140-900	BAG DOOR GASKET - 34.5"	1.46
45	42227187	U5140-900	BAG HOUSING DOOR	22.94
46	36433116	U5140-900	LOWER WAND HOLDER	2.59
47	36433117	U5140-900	UPPER WAND HOLDER	2.59



1

ASSEMBLY SCHEMATIC

MODEL NO.
U5140-900





1

PART LISTING / PRICE LIST

MODEL No.

U5140-900

ITEM	PART NUMBER	MODELS TO FIT	PART DESCRIPTION	LIST COST
1	92001062	U5140-900	HOOD / NOZZLE COVER	9.40
2	43431005	U5140-900	HOSE DOOR ASSEMBLY	9.06
3	38458043	U5140-900	HANDLE RELEASE LEVER	2.26
4	40309004	U5140-900	NOZZLE ADJUSTMENT LEVER & CAM KIT	3.16
5	21447072	U5140-900	SCREW	.57
6	36131094	U5140-900	TRUNNION COVER	1.12
7	36171044	U5140-900	HOSE CLAMP	1.12
8	160017--	U5140-900	LOCK RING	.58
9	38522077	U5140-900	REAR WHEEL	2.26
10	32434007	U5140-900	REAR AXLE	1.12
11	92001061	U5140-900	MAIN BODY NOZZLE BASE WITH GUARD	15.30
12	21447228	U5140-900	SCREW - SELF TAPPING	.57
13	ORDER #4	U5140-900	ADJUSTMENT LEVER / CAM KIT	N.L.A.
14	38355010	U5140-900	TORSION SPRING	1.12
15	43248064	U5140-900	FRONT WHEEL ASSEMBLY COMPLETE	9.06
	36432027	U5140-900	FRONT WHEEL SUPPORT	2.26
16	32541007	U5140-900	WHEEL SHAFT	1.12
17	38521009	U5140-900	FRONT WHEEL	2.26
18	38528033	U5140-900	BELT	1.50 NON DISC
19	40309026	U5140-900	BOTTOM PLATE AND DUCT ASSEMBLY	19.27
20	38781053	U5140-900	AGITATOR PULLY SEAL	.93
21	48414132	U5140-900	AGITATOR / BRUSH ROLL - 15"	22.67
22	ORDER #19	U5140-900	BOTTOM PLATE AND DUCT ASSEMBLY	N.L.A.
23	36235089	U5140-900	FURNITURE GUARD FILLER	.35
24	21447121	U5140-900	SCREW	.57