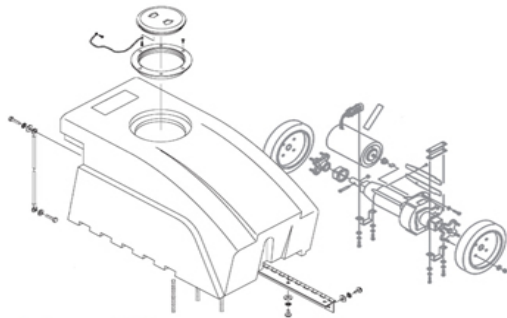


Part No.	Description
2-SZ2990-000	CHARGER
1-SZ1400-000	RUBBER STRIP
1-SZ1500-000	BELT
1-SZ1600-000	BRUSH END CAP
2-SZ1000-000	HANDLE ASSEMBLY
2-SZ2200-000	DIRT CUP ASSEMBLY
2-SZ1300-000	BRUSHROLL ASSEMBLY
2-SZ2800-000	BATTERY PACK ASSEMBLY
1-SZ2805-000	BATTERY COVER
59144003	INSTRUCTION MANUAL



**FLOOR EQUIPMENT PARTS.COM**

