

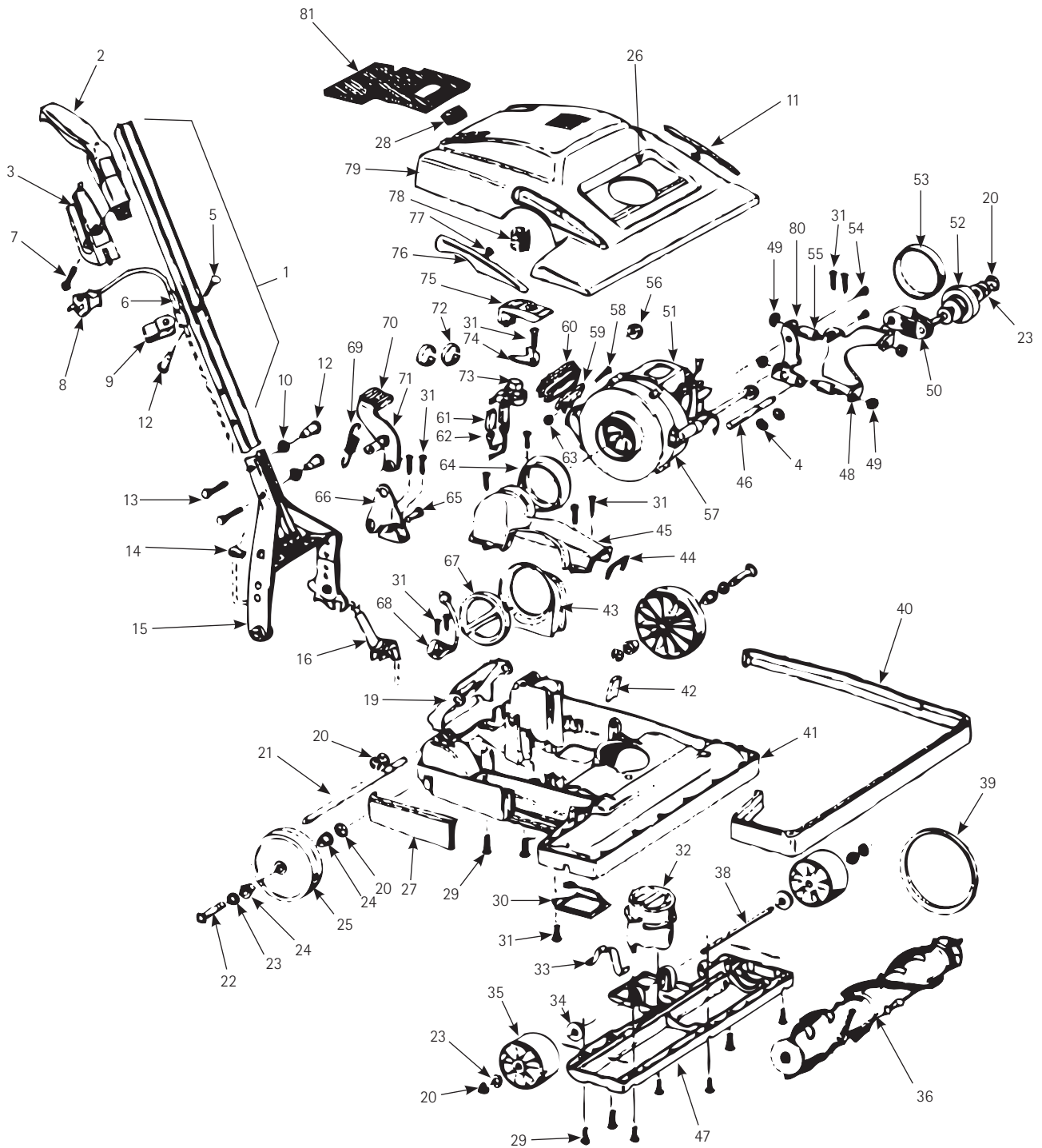


# Parts List

Model C1810-010, 020

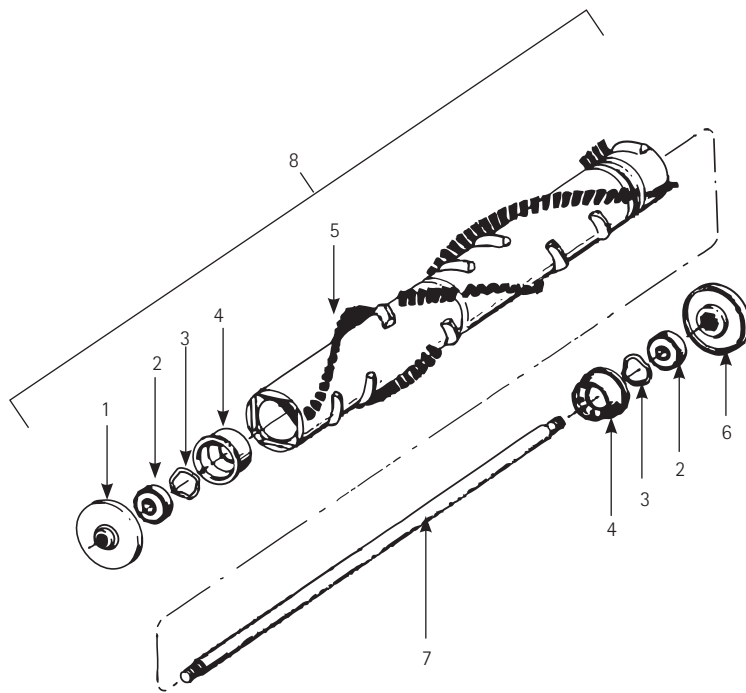
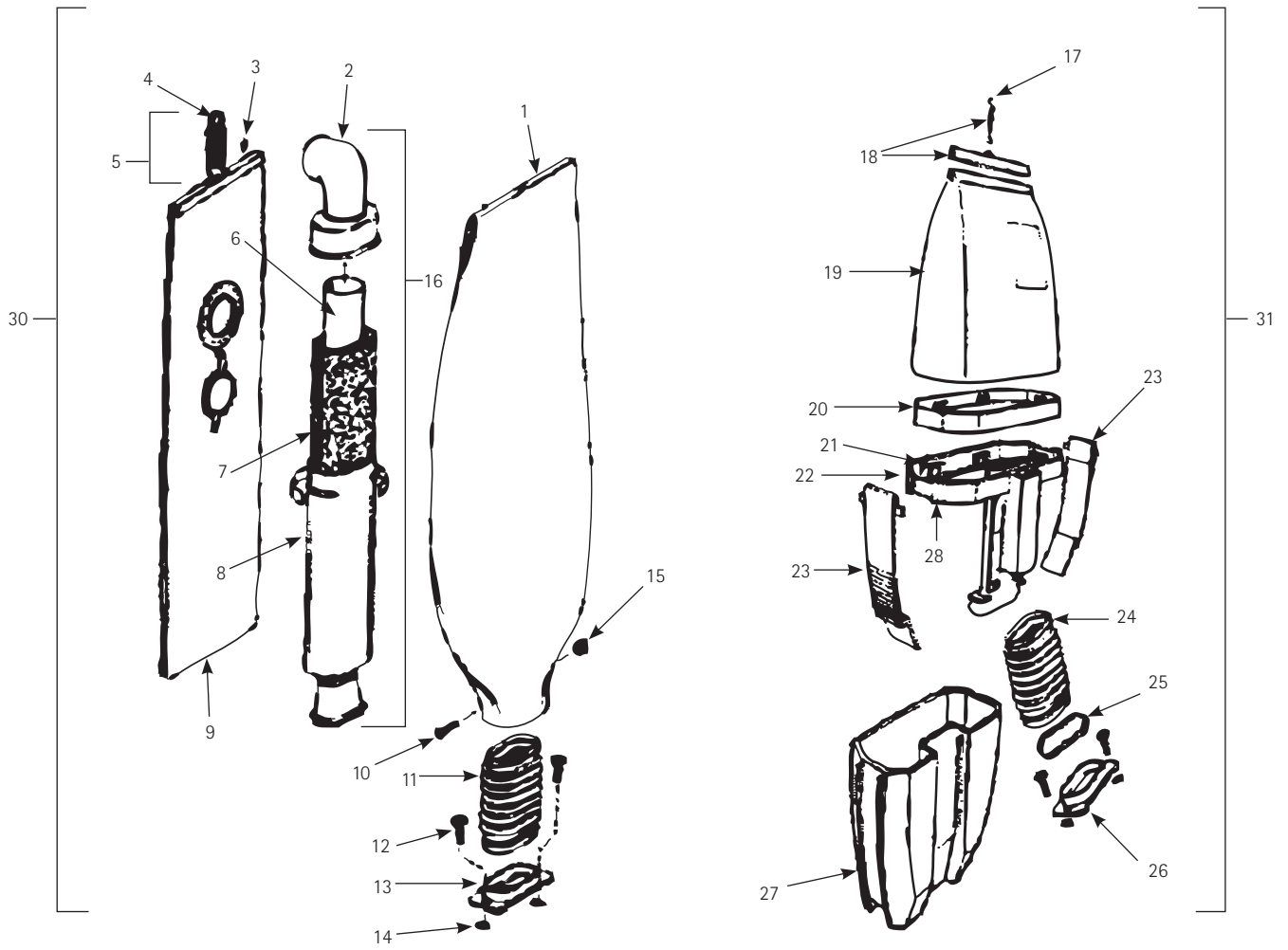
www.hoover.com

FLOOREQUIPMENTPARTS.COM



Model C1810-010, 020

Ref No.	Part No.	Description	Ref No.	Part No.	Description
1	48631149	Handle Assembly Complete	44	34253013	Air Duct Gasket
2	39454060	Handle Grip	45	38657020	Air Duct
3	39442017	Cord Hook	46	31534001	Shaft Pulley Arm
4	013730--	Lock Ring	47	37245064	Bottom Plate / Nozzle Guard
5	21631301	Handle Clamp Bolt	48	36321006	Motor Support Bracket
6	36215025	Cord Protector	49	21852158	Nut
7	21447215	Screw - Self Tapping	50	43256007	Pulley Arm And Shaft
8	91001025	Power Cord	51	37257086	Air Intake Duct
9	36172040	Cord Retainer Clamp	52	43256002	Pulley Assembly
10	013704--	Lock Washer	53	38528036	Belt
11	36222014	Wear Strip - Left	54	017001FW	Screw
12	32277008	Handle Clamp Nut	55	32724010	Sandwich Mount
13	21831024	Handle Bolt	56	21652005	Hex Nut
14	36172015	Cord Retainer	57	43574106	Motor - 6.5
15	41416022	Bail / Handle Fork Assembly	58	21765140	Screw
16	36216008	Cord Protector	59	34797008	Clamp Band
19	42256106	Exhaust Flange	60	38671008	Exhaust Flange Bellow
20	160017--	Lock Ring	61	162961--	Insulating Pod
21	32563009	Bail / Handle Fork Shaft	62	163055--	Terminal
22	32512001	Rear Wheel Shaft	63	015854EF	Nut
23	163110--	Washer	64	38671005	Duct Boot
24	162143--	Rear Wheel Bearing	65	32215002	Shaft
25	38522036	Rear Wheel	66	35214009	Foot Lever Support
26	51353002	Hood / Nozzle Cover Name Plate	67	37257282	Cap
27	36231154	Furniture Guard - Short	68	27478611	Strain Relief
28	34132019	Motor Cushion	69	38335008	Spring
29	21447215	Screw - Self Tapping	70	38426030	Foot Pad
30	35121001	Access Door	71	43151006	Handle Lever
31	21447003	Screw	72	27479307	Cable Tie
32	36436005	Height Adjustment Cap	73	59156686	Switch
33	38381005	Spring	74	36171030	Switch Clamp
34	21312754	Washer	75	38426047	Switch Pedal
35	38522034	Front Wheel	76	36222021	Wear Strip - Right
36	48416036	Agitator Complete	77	21364102	Speed Nut
38	32543005	Front Axle	78	31164004	Motor Cushion
39	38528013	V-Belt	79	37252031	Hood / Nozzle Cover
40	36231061	Furniture Guard - Long	80	36321002	Mounting Bracket
41	37241115	Main Body / Nozzle Base	81	38783005	Intake Duct Gasket
42	34141005	Motor Cushion			
43	41119008	Cap Lock Assembly			



Cloth Bag and Dirt Container Assemblies

Agitator Assemblies

Ref No.	Part No.	Description	Ref No.	Part No.	Description
1	43674055	Outer Bag Assembly	1	41435066	Thread Guard Assembly
2	38657012	Top Fill Tube	2	59156681	Bearing
3	36425033	Bag Closure Clip	3	59156682	Wave Spring Washer
4	38336019	Bag Closure Clip Spring	4	59156683	Agitator End
5	41128016	Bag Spring And Clip Assembly	5	48416017	Agitator Body And Ends 18"
6	31746020	Muffler Liner	6	41435061	Thread Guard Assembly
7	34133005	Foam Muffler	7	32873004	Agitator Shaft - 18"
8	37257083	Muffler Housing	8	48416036	Agitator Complete - 18"
9	43667054	Inner Cloth Bag Assembly			
	4010100A	Allergen Paper Bag 3 Pack			OR
10	017206--	Screw			
11	38673010	Bellows			
12	36112002	Screw			
13	36425005	Bag Flange			
14	013759--	Lock Ring			
15	015854EF	Nut			
16	42256012	Muffler Assembly			
17	38336019	Bag Closure Clip Spring			
18	41128016	Bag Spring / Clip Assembly			
19	43667056	Cloth Bag			
20	35173001	Bag Expander			
21	34122009	Seal			
22	41427012	Cup Support			
23	36155011	Latch			
24	38673001	Bellows			
25	015854EF	Nut			
	017206--	Screw			
	049044--	Clamp Band			
26	41424018	Bag Flange			
27	38775001	Dirt Cup			
28	34123020	Gasket			
30	43678060	Outer Bag Complete			
31	58642015	Dirt Cup Assembly Kit			