

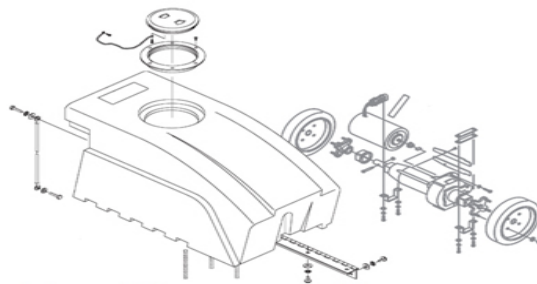
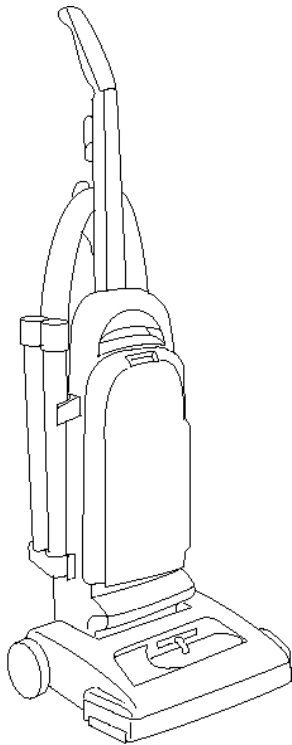
Commercial WindTunnel™ by Hoover

OPERATING INSTRUCTIONS

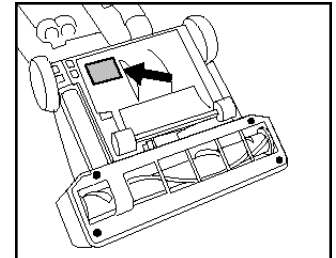
ENGLISH → pp. 1-12

ESPAÑOL → pp. 13-18

FRANÇAIS → pp. 19-24



FLOOR-EQUIPMENT-PARTS.COM



Review these instructions before operating cleaner

Index

Assembling Cleaner	2-3
Cleaner Descriptions.....	4
How To Use	
Cleaning Tools	6
Upright Cleaner	5-6
If You Have a Problem	11
Important Safeguards	1
Lubrication	12
Maintenance	
Authorized Service.....	12
Cleaning Filters.....	8
Clearing Blockages	11
Emptying Cloth Bag	6-7
Replacing Agitator	10
Replacing Belt	9-10
Replacing Edge Groomers	10
Replacing Headlight.....	9
Replacing Paper Bag	8
Thermal Protector	11
Unpacking Cleaner.....	4
Warranty	12

Important Safeguards!

When using an electrical appliance, always follow basic precautions, including the following:

READ ALL INSTRUCTIONS BEFORE USING THIS APPLIANCE

Warning:

To reduce the risk of fire, electric shock, or injury:

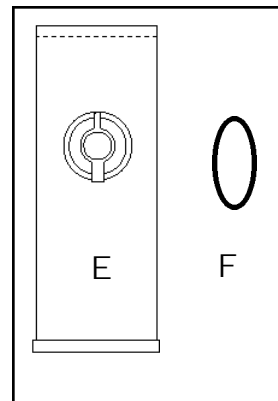
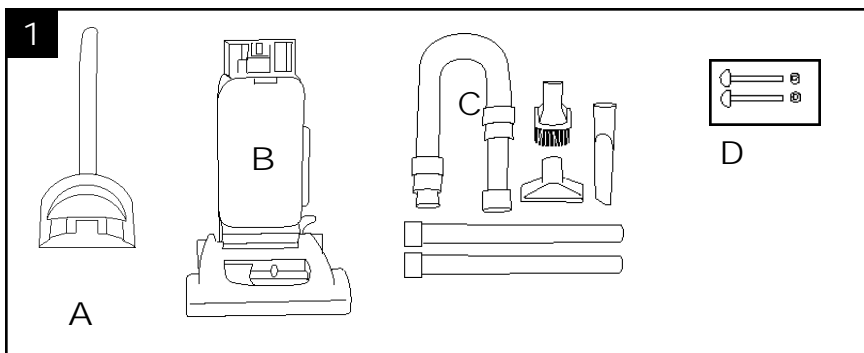
- Do not use outdoors or on wet surfaces.
- Connect to a properly grounded outlet only. See "Grounding Instructions".
- Close supervision is necessary when any appliance is used by or near children. Do not allow vacuum cleaner to be used as a toy or to run unattended at any time.
- Keep hair, loose clothing, fingers, feet and all parts of body away from openings, rotating agitator and other moving parts. Do not operate cleaner in bare feet or when wearing open toe shoes or sandals.
- Do not pick up anything that is burning or smoking, such as cigarettes, matches, or hot ashes.
- Do not use to pick up flammable or combustible liquids such as gasoline or fine wood sandings or use in areas where they may be present.
- Avoid picking up hard, sharp objects with the cleaner. They may damage the cleaner and the bag.
- Always turn off this appliance before connecting or disconnecting hose.
- Do not use without dust bag or filters in place. Change bag frequently when picking up very fine materials such as powder.
- Use extra care when cleaning on stairs.
- Do not put any object into openings. Do not use with any opening blocked; keep free of dust, lint, hair, or anything that may reduce air flow.
- Do not pull or carry by cord, use cord as a handle, close door on cord or pull cord around sharp edges or corners. Do not run appliance over cord. Keep cord away from heated surfaces.
- Always disconnect cord from electrical outlet before servicing the cleaner.
- Unplug cleaner when not in use. Turn off all controls before unplugging.
- Do not unplug by pulling on cord. To unplug, grasp the plug, not the cord. Never handle plug or appliance with wet hands.
- The use of an extension cord is not recommended.
- Do not use with damaged cord or plug. If appliance is not working as it should, has been dropped, damaged, left outdoors, or dropped into water, take it to a Hoover Factory Service Center or Authorized Hoover Warranty Service Dealer (Depot).
- Use vacuum cleaner only for its intended use as described in the instructions. Use only attachments recommended by The Hoover Company; others may cause hazards.



Save these instructions!

© 1997 The Hoover Company

STEP 1 Unpack carton



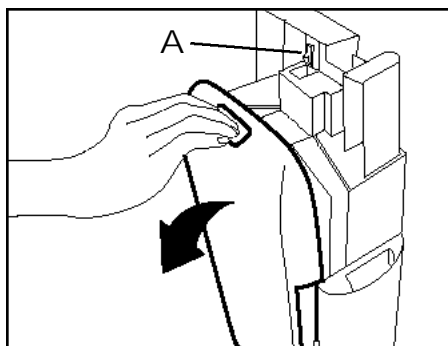
1 Remove all parts from carton and identify each item shown. Make sure all parts are located before disposing of packing.

A. Handle section
B. Cleaner body
C. Hose, cleaning tools and wands
D. Handle bolts and nuts packet
(in bag with operating instructions)

Not required for assembly:

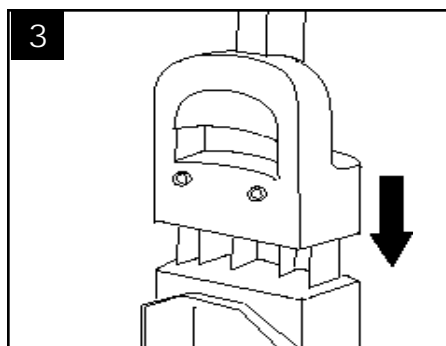
E. Optional Paper filter bag
(Cloth bag already installed in cleaner)
F. Extra belt
(One already installed in cleaner)

STEP II Attach handle

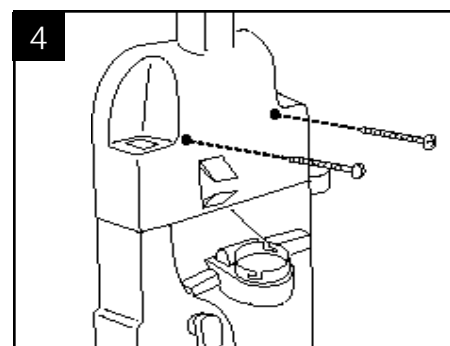


2 Remove bag door on cleaner body by pushing down at top of door and pulling door outward.

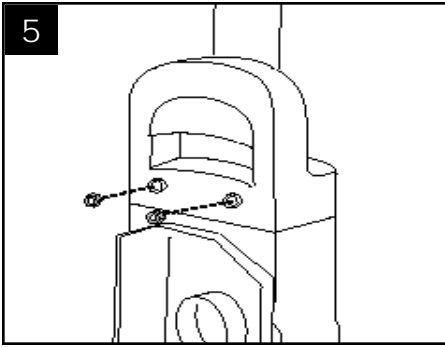
Switch (A) above bag door should be in OFF position.



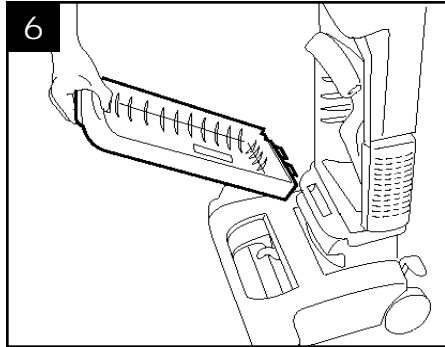
3 Slide handle onto cleaner body.



4 Push bolts into holes on back of handle.



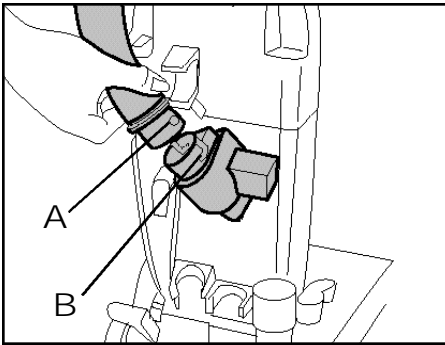
5 Place nuts in recessed areas on front of handle. Hold each nut in place while tightening each bolt securely with a Phillips screw driver.



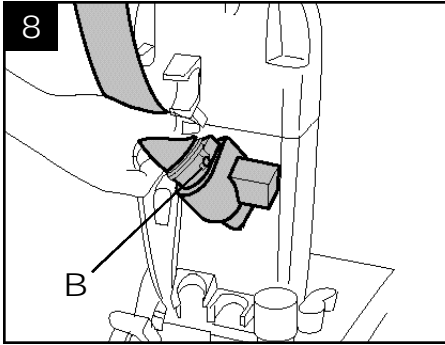
6 Reposition bag door by fitting tabs on bottom of door into opening. Press top of door to snap securely shut.

STEP III Attach Hose

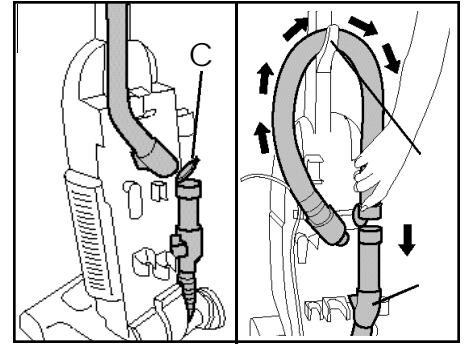
NOTE: HOSE MUST BE CONNECTED AS SHOWN FOR ALL OPERATIONS



7 Align end of hose with projections (A) over slots (B) in dirt duct.

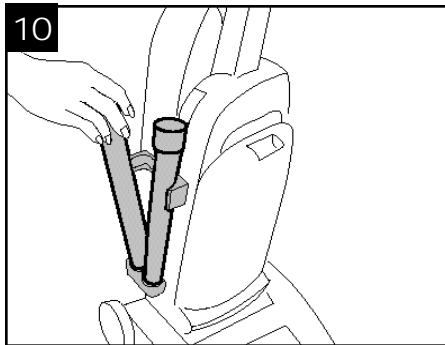


8 Slide hose into (B) and twist hose to lock it into place.

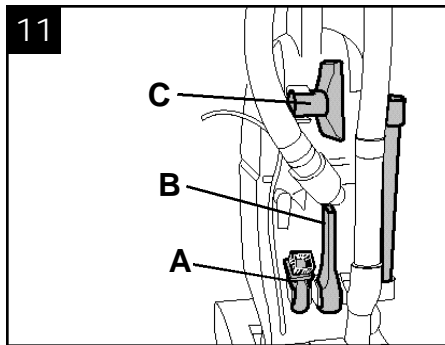


9 Lift hose tube cover (C). Position hose over hose hook (D) and onto hose tube (E).

STEP IV Position Tools

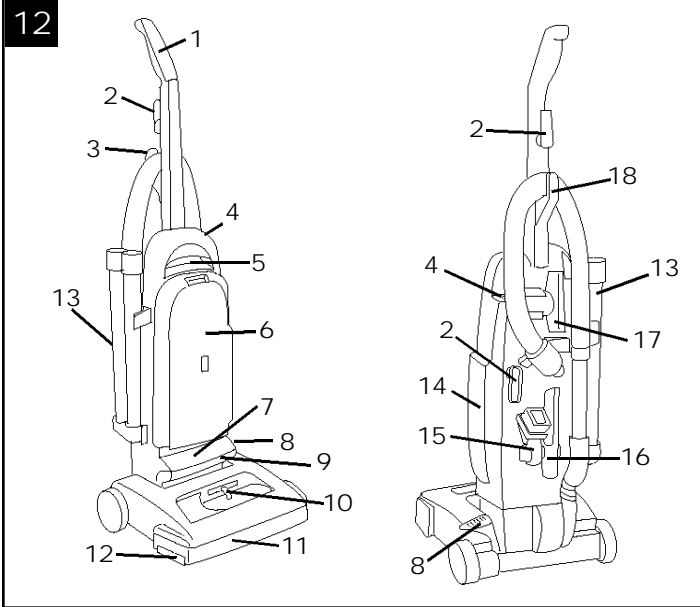


10 Place smaller unridged end of wand into bottom of rack. Snap wand into clip. Repeat with other wand.



11 Snap ends of dusting brush (A) crevice tool (B) and furniture nozzle (C) into clips as shown.

Cleaner description



12 The assembled cleaner will look like the drawing.

- 1. Handle**
- 2. Cord hooks:** wrap cord around hooks for storage. The top hook can be rotated right or left for easy cord release.
- 3. Hose**
- 4. ON/OFF Switch:** located on left rear corner of cleaner body.
- 5. Carrying handle**

- 6. Bag door**
- 7. Stair cleaning handle:** located on lower edge of bag door.
- 8. Handle release lever:** step on lever to lower to operating or low positions.
- 9. Headlight**
- 10. Nozzle control knob:** slide knob to correct setting for height of carpet being cleaned.

- 11. Furniture guard:** helps prevent cleaner from marking furniture.
- 12. Edge groomers**
- 13. Wands**
- 14. Final exhaust filter**
- 15. Dusting brush**
- 16. Crevice tool**
- 17. Furniture nozzle**
- 18. Hose hook**

How to use

Operate cleaner only at voltage specified on data plate on bottom of cleaner.

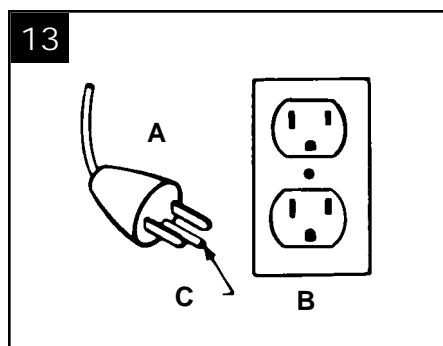
WARNING: Electric shock could occur if used outdoors or on wet surfaces

Grounding instructions

13 This appliance must be grounded. If it should malfunction or breakdown, grounding provides a path of least resistance for electrical current to reduce the risk of electric shock. This appliance is equipped with a cord having an equipment-grounding conductor (C) and grounding plug (A). The plug must be plugged into an appropriate outlet (B) that is properly installed and grounded in accordance with all local codes and ordinances.

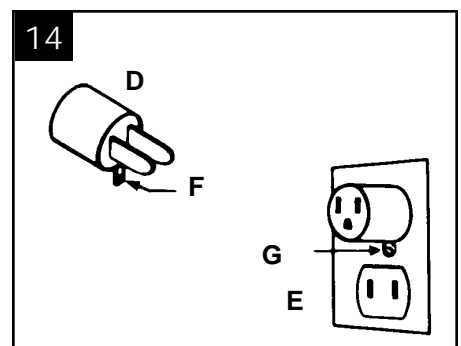
DANGER –

Improper connection of the equipment-grounding conductor can result in the risk of electric shock. Check with a qualified



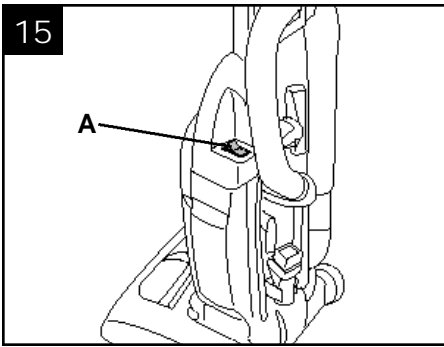
electrician or service person if you are in doubt as to whether the outlet is properly grounded. Do not modify the plug provided with the appliance - if it will not fit the outlet have a proper outlet installed by a qualified electrician. This appliance is for use on a nominal 120 volt circuit and has a grounding plug that looks like the plug illustrated in sketch (A).

14 A temporary adapter (D) may be used to connect this plug to a 2-pole receptacle (E) if a properly grounded outlet is not available. The temporary adapter

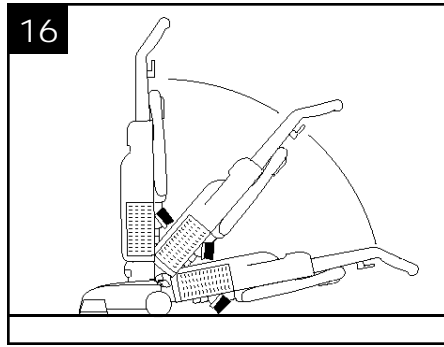


should be used only until a properly grounded outlet (B) can be installed by a qualified electrician. The green colored rigid ear, lug, or the like (F) extending from the adapter must be connected to a permanent ground (G) such as a properly grounded outlet box cover. Whenever the adapter is used, it must be held in place by a metal screw.

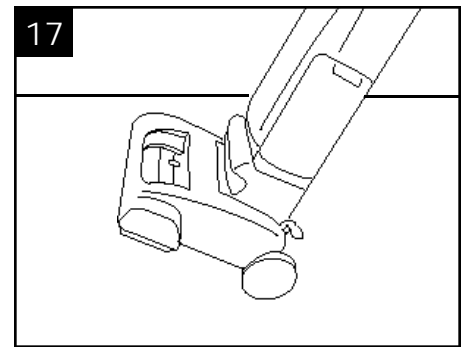
Note: In Canada, the use of a temporary adapter is not permitted by the Canadian Electrical Code.



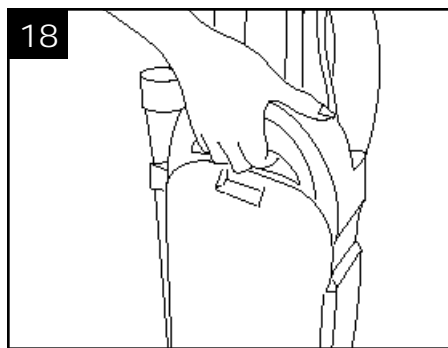
15 Plug cord into electrical outlet. To turn cleaner ON, push switch (A) toward front of cleaner. To turn cleaner OFF, push (A) toward back of cleaner.



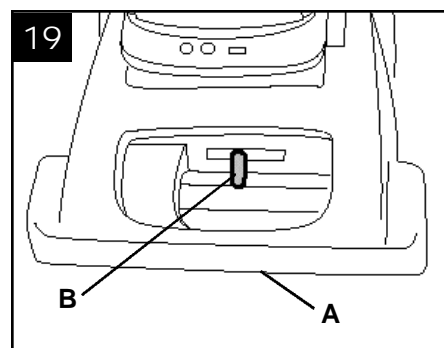
16 The handle of your cleaner has three positions; **upright** for storage and when using cleaning tools; **operating position** for general operation on carpet and floors; **low** for reaching under low furniture. Step on handle release lever to lower handle.



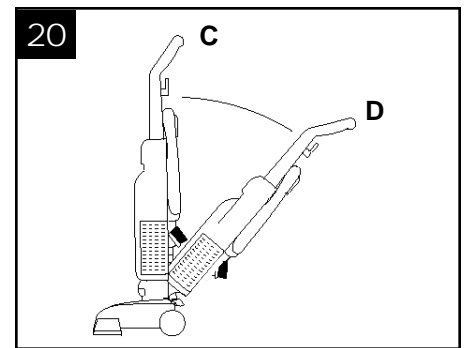
17 To move your cleaner from room to room, put handle in upright position, tilt cleaner back on rear wheels and push forward.



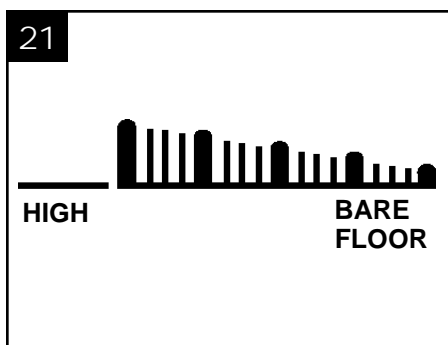
18 The cleaner can also be moved by using carrying handle.



19 The cleaning of carpet and rugs takes place at the nozzle (A). When it is necessary to raise and lower the nozzle for various carpet pile heights, slide the nozzle control knob (B) to the desired setting.



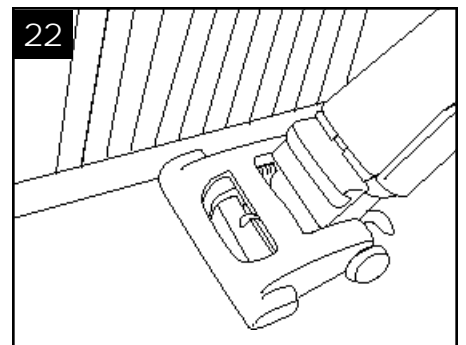
20 For ease in sliding knob, the handle should be in the upright position (C). **The nozzle will not move into the adjusted position until the cleaner handle is lowered to the operating position (D).**



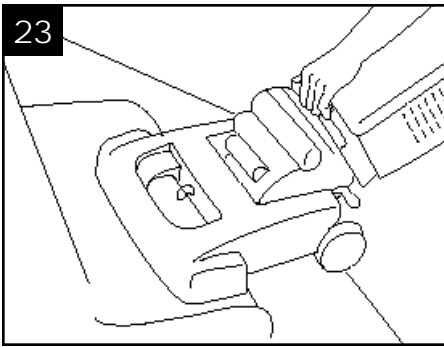
21 For maximum cleaning performance, the following carpet height settings are recommended.

- **Lowest setting:** for all types of carpet
- **Higher settings:** for very deep pile carpet where easier pushing effort is desired, while maintaining good cleaning performance.

Note: If the cleaner is difficult to push, slide knob to the next higher setting.



22 Special edge groomers are provided on both sides of the nozzle to remove dirt in carpet near baseboards and furniture. Guide either side of nozzle parallel to edge of carpet or furniture.



Stair cleaning

23 A stair cleaning handle has been designed for ease in using your cleaner on stairs. With handle in operating position, place fingers under the edge of stair cleaning handle and guide cleaner with the other hand on upper handle.

As an alternative, you may use the hose and furniture nozzle for stair cleaning. Clean from bottom to top.

When using cleaning tools, the agitator will continue to rotate.

CAUTION: To avoid personal injury or unnecessary wear to carpet, and to prevent the cleaner from falling, always place it at bottom of stairs.

Cleaning tools

Tools allow for cleaning surfaces above the floor and for reaching hard to clean areas.

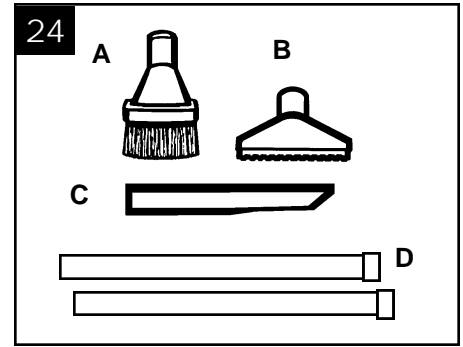
Suction will automatically be diverted to the hose when handle is in **upright position** and cleaner is turned ON.

CAUTION: Agitator continues to rotate while cleaner handle is in upright position. Avoid tipping cleaner or setting it on furniture, fringed area rugs or carpeted stairs during tool use.

How to clean tools

To clean hose, wipe off dirt with a cloth dampened in a mild detergent. Rinse with a damp cloth.

Cleaning tools may be washed in warm water with a detergent. Rinse and air dry before using.



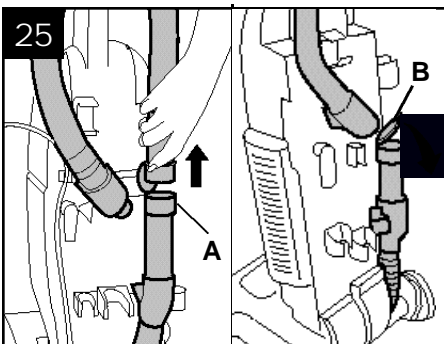
24 Select proper tool

A. Dusting brush may be used for carved furniture, table tops, books, lamps, lighting fixtures, venetian blinds, baseboards, shutters, and registers.

B. Furniture nozzle may be used for upholstered furniture, draperies, mattresses, clothing, automobile interiors, and carpeted stairs.

C. Crevice tool may be used in tight spaces, corners and along edges in such places as dresser drawers, upholstered furniture, stairs and baseboards.

D. Wands are used to give extra length to your hose. Use them with any of the above tools.

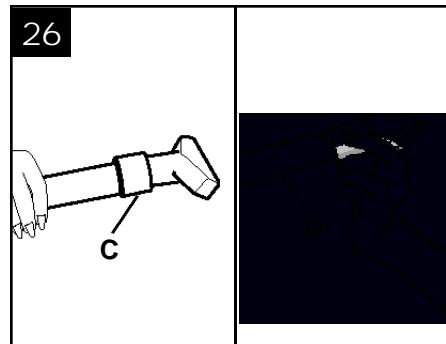


Attach wand and tools

When using cleaning tools, **cleaner should be in upright position.** Also, **turn cleaner OFF before disconnecting and connecting hose to hose tube (A).**

25 To use hose, lift hose end as shown. Lower cover (B) on hose tube.

When you are finished cleaning with the tools, **be sure to lift cover from hose tube and reposition hose end into tube.**



26 Attach tool or wand to the hose (C) by pushing it firmly into hose.

Attach second wand or tool to wand (D) by pushing it firmly onto the wand.

Twist wand or tool slightly to tighten or loosen the connection.

Maintenance

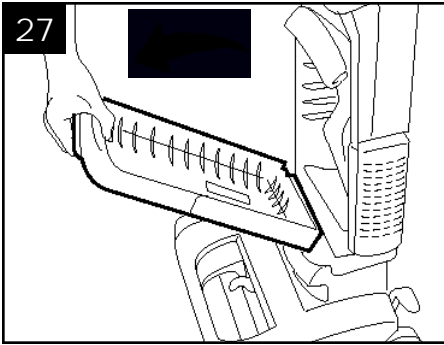
Disconnect cleaner from electrical outlet before attempting to service it in any manner.

Do not operate cleaner without either cloth filter bag or paper filter bag in place.

The cloth filter bag

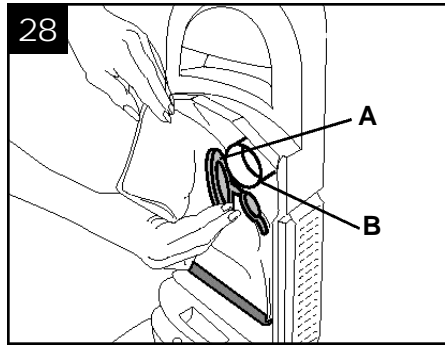
When to empty

Check filter bag from time to time. It should be emptied often. If the filter bag is allowed to overfill, the cleaner will not operate effectively.

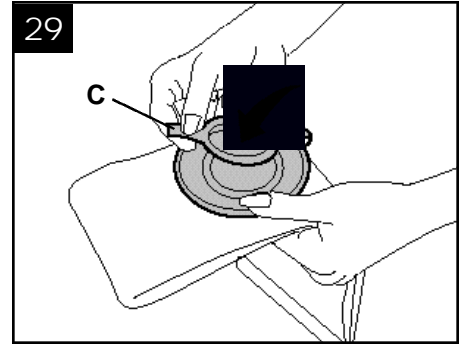


How to empty

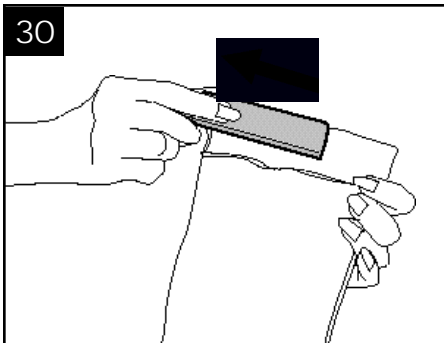
27 Push down at top of bag door and pull forward. Remove door.



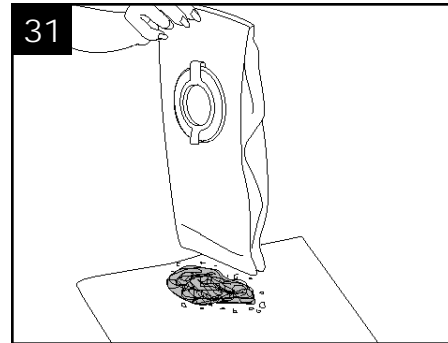
28 Grasp filter bag collar (A) and pull collar from tube (B).



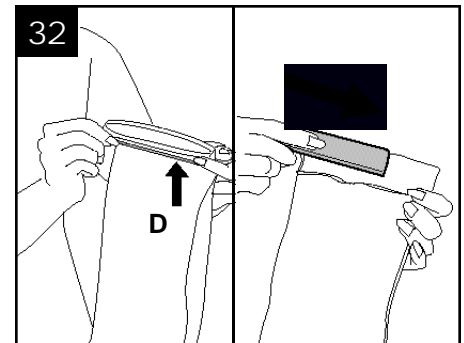
29 Snap cap (C) into collar opening.



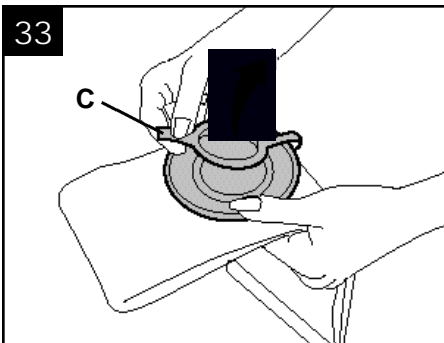
30 Slide filter bag clip from bottom of bag.



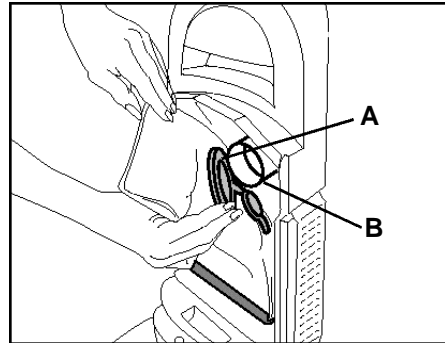
31 Empty filter bag over paper, shaking bag until clean.



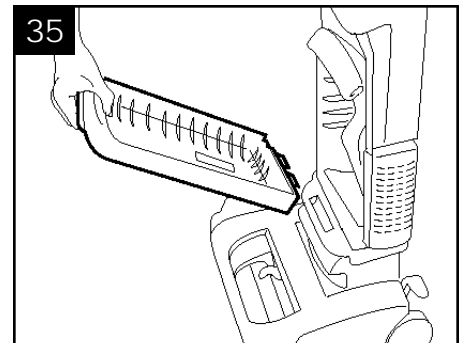
32 To replace filter bag clip, first fold down top of bag over plastic strip (D). Push clip over edge.



33 After replacing clip, open bag cap (C).



34 Hold filter bag as shown in Fig. 28 aligning opening in bag with (B). Push (A) firmly onto (B). Fit bottom of filter bag into bag compartment.



35 Reposition bag door by placing tabs on bottom of door into opening. Press top of door to snap securely shut. Should you want to replace the cloth filter bag, ask for **Hoover part No. 43667-050**.

Optional paper filter bag

A **Genuine Hoover® Allergen Filtration Type Y** disposable paper bag may be used with the cleaner in place of the cloth filter bag.

How to install

Disconnect cleaner from electrical outlet.

1. Remove cloth filter bag from cleaner following Figs. 27-29.
2. Hold paper filter bag collar as shown in Fig. 28, aligning opening in bag with tube (B). Push collar firmly onto tube.
3. Tuck in filter bag and reposition bag door as shown in Fig. 35.

When to replace

It is recommended that you change the paper filter bag when dirt reaches the dotted line. If more dirt than this accumulates, the cleaner will not operate effectively.

CAUTION: Very fine materials such as face powder, cornstarch, fireplace ashes or fireplace soot, may seal the filter bag and may cause it to burst even though it is only partially full of dirt. When cleaner is used to remove material of this nature, change filter bag often.

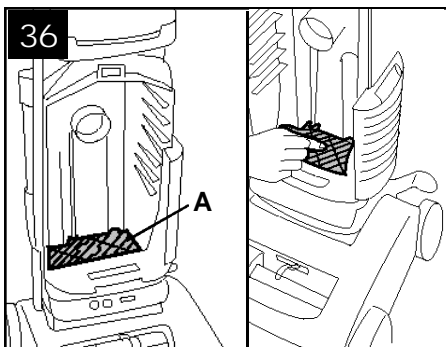
Where to buy

Filter bags may be purchased from your Authorized Hoover Dealer (Depot) or from a Hoover Factory Service Center. **When ordering paper filter bags, be sure to give the model number of your cleaner.**

What to buy

To assure cleaning effectiveness, use only **Genuine HOOVER® Allergen Filtration Type Y disposable** filter bags.

To assure that your cleaner operates at peak performance, it is imperative that you use only genuine HOOVER filter bags made by The Hoover Company. HOOVER bags can be identified by these trademarks —



The secondary & final filters

How to clean

Disconnect cleaner from electrical outlet.

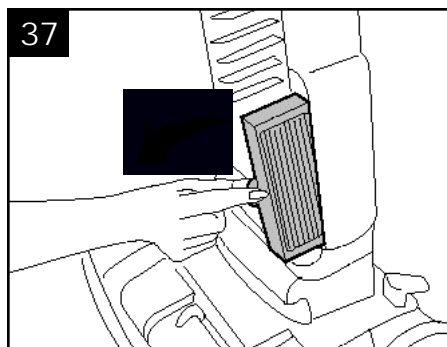
36 The **secondary filter (A)**, located behind the grill in the bottom of bag compartment, protects the motor from dirt particles.

To clean the filter when it becomes dirty, remove bag door, pull off grill and lift out filter.

Hand wash filter in cold water with mild detergent, then air dry.

Reposition **dry** filter and grill.

Should you want to replace this filter, ask for **HOOVER part No. 38765-022.**



37 The **final filter** assists in the filtration process to return clean air to the room.

To remove this filter when it becomes dirty, pull out filter as shown.

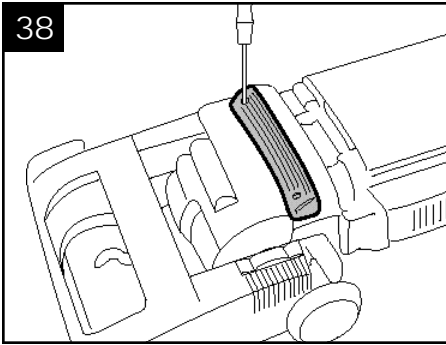
Hand wash the filter in cold water with mild detergent.

Let filter air **dry and reposition it on the side of cleaner.**

Reposition bag door.

Should you want to replace this filter, ask for **Hoover part No. 43613-006.**

Do not operate cleaner without either the secondary or final filter in place.



The headlight

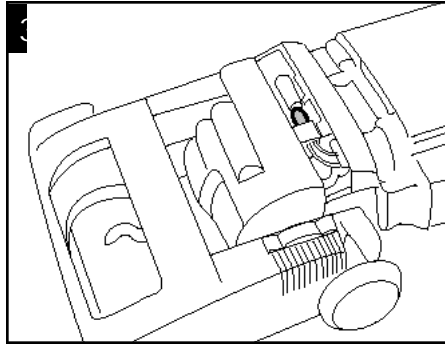
What to buy

This cleaner uses a 12 volt, wedge base type 912 bulb, **Hoover part No. 27313-101.**

How to replace

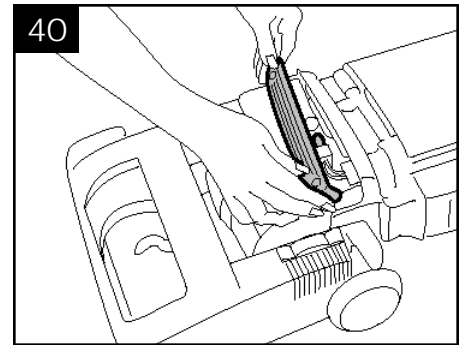
Disconnect cleaner from electrical outlet.

38 Using a screwdriver, remove the two screws as shown and lift off lens.



39 Pull old bulb straight out of socket. Push new bulb straight into socket until locked into place.

Excessive force is not required.



40 Reposition the lens and secure with the two screws.

The belt

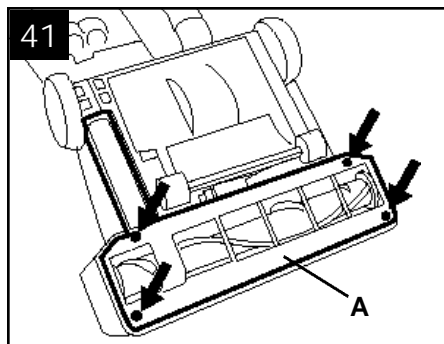
The belt on your HOOVER cleaner causes the agitator to rotate and is important for the effective operation of the cleaner. The belt is located under the bottom plate of the cleaner and should be checked from time to time to be sure it is in good condition.

When to replace

To check belt, remove bottom plate and hood as shown in "How to replace belt." Replace belt if it is stretched, cut or broken.

What to buy

To assure effective operation, use only genuine HOOVER belts with your cleaner. When purchasing a new belt, ask for **Hoover part No. 38528-033.**

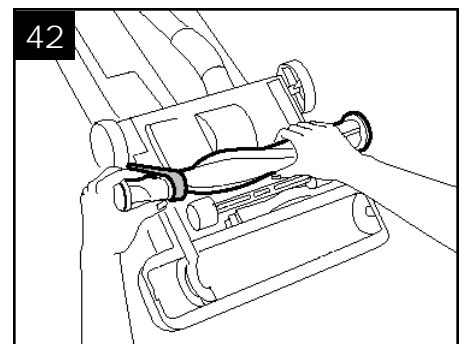


How to replace

Disconnect cleaner from electrical outlet.

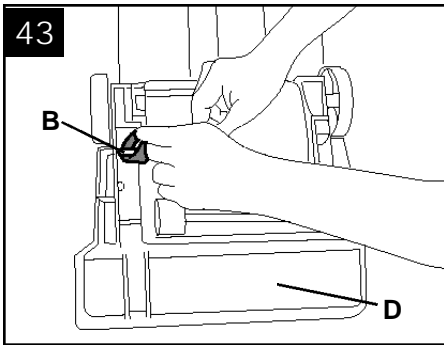
Place handle in low position and turn cleaner over so bottom side is up.

41 Remove the 4 screws as shown with a Phillips head screw driver. Lift off bottom plate (A).

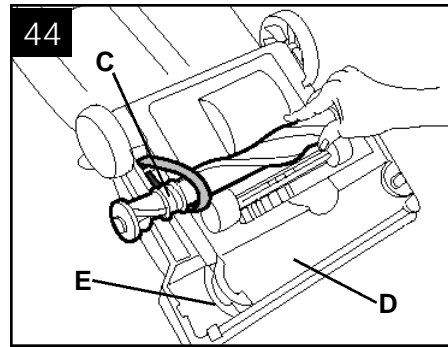


42 Remove agitator and used belt. Discard used belt.

Continued →

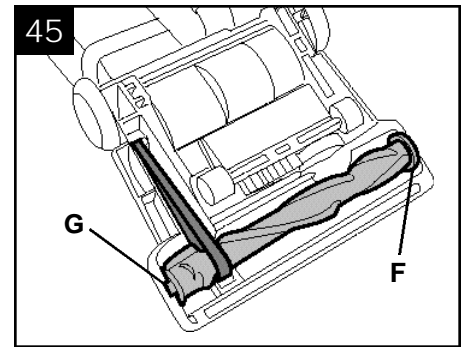


43 With lettering on outside of belt and positioned as shown in box on (D), slide new belt over motor pulley (B).



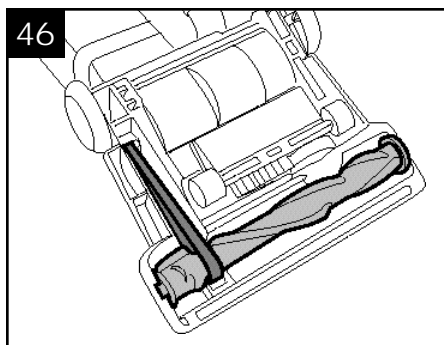
44 Insert agitator through belt and place belt in belt guide (C) on agitator.

Should the agitator shield (D) become dislodged while replacing the belt or the agitator, reposition it as shown noting the placement of its belt guide (E).



45 Grasp agitator firmly and fit it into position by first sliding end opposite the belt into the rectangular slot (F) on side of cleaner. Pull other side of agitator (G) into place.

Turn agitator making sure belt is not pinched between agitator and agitator shield.



46 Reposition bottom plate and 4 Phillips head screws. Tighten screws securely.

The edge groomers

When to replace

The edge groomers located on both sides of the nozzle should be replaced when they appear worn.

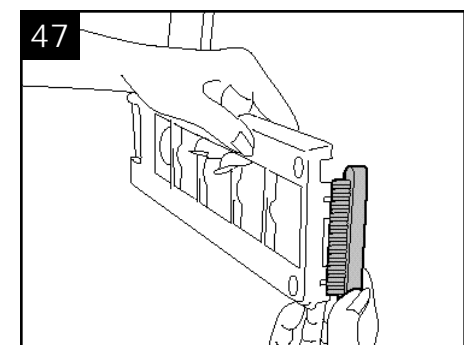
What to buy

When purchasing a pair of edge groomers, ask for **HOOVER part No. 39511006**.

How to replace

Disconnect cleaner from electrical outlet.

Remove bottom plate as described in "The belt" section (Fig. 41).



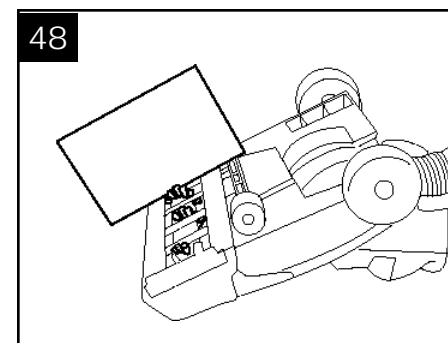
47 Lift off both old edge groomers and slide new edge groomers into position as shown.

Reposition bottom plate and secure with 4 Phillips head screws.

The agitator brush roll

When to replace

48 To check condition of brushes, move edge of a card across bottom plate while turning agitator. To maintain cleaning effectiveness, replace agitator if brushes do not touch card.



What to buy

Your cleaner requires either a 13" or a 15" agitator. When purchasing a new agitator, ask for one of the following:

13" - HOOVER part No. 48414-11 0 .

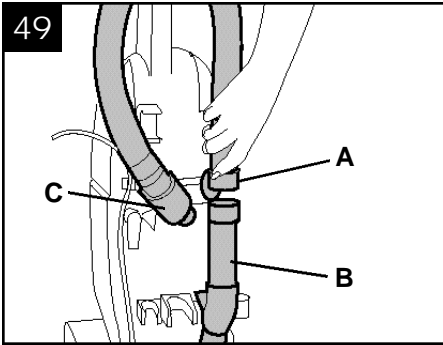
15" - HOOVER part No. 48414-11 5 .

How to replace

Disconnect cleaner from electrical outlet.

Remove bottom plate, belt and agitator following directions in "The belt" section beginning with Fig. 41. Discard old agitator.

Continue following the directions in "The belt" section to reposition belt, new agitator and bottom plate.



Clearing blockages

Disconnect cleaner from electrical outlet.

Low suction or pick up may be due to a blockage in the system. Refer to the following steps to check for blockages **continuing with each step until the blockage is found:**

1. Check fullness of filter bag; change if needed.

49 2. Plug cleaner in and turn ON. Check for suction at end of hose (A).

a. If there is **suction**, turn cleaner OFF and continue with step 3.

b. If there is **no suction**, turn cleaner OFF and check for blockage in hose and dirt tube as follows:

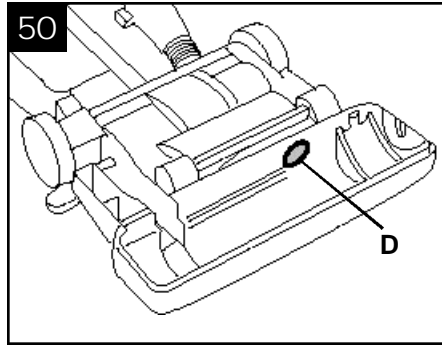
1) Disconnect hose from dirt duct (C) by reversing procedure for "Attach hose" on pg. 3 Fig. 7 and 8.

2) Clear out hose

3) Look into (C) and remove any blockage

3. Check connection at hose tube (B); remove any blockage.

4. Turn cleaner OFF and unplug.



5. Remove bottom plate, belt and agitator (see "The belt" section).

50 Look into opening (D) for blockages and remove.

6. Remove agitator shield (see Fig. 44) and remove any loose debris which may have accumulated under it.

Thermal Protector

An internal thermal protector has been designed into your cleaner to protect it from overheating.

When the thermal protector activates the cleaner will stop running. If this happens proceed as follows:

1. Turn cleaner OFF and disconnect it from the electrical outlet.

2. Check secondary and final filters for dirt accumulation.

3. Refer to "Clearing blockages" section.

4. **When cleaner is unplugged and motor cools for 30 minutes**, the thermal protector automatically resets and cleaning may continue.

If the thermal protector continues to activate after following the above steps, your cleaner may need servicing (see "Service" section).

If you have a problem

If a minor problem occurs, it usually can be solved quite easily when the cause is found by using the check list below.

Problem: Cleaner won't run

Possible cause

Possible solution

- **Not firmly plugged in**
- Plug unit in firmly
- **No voltage in wall plug**
- Check fuse or breaker
- **Blown fuse or tripped breaker**
- Replace fuse or reset breaker
- **Thermal protector activated**
- Allow cleaner to cool for 30 minutes (this will reset the thermal protector)

Problem: Cleaner/tools won't pick up

Possible cause

Possible solution

- **Broken or worn belt**
- Replace belt
- **Agitator brush roll worn**
- Replace brush roll
- **Cloth/paper filter bag full**
- Empty/change filter bag
- **Incorrect carpet height setting**
- Move nozzle control knob to lower setting
- **Blockage in air flow passage**
- Clear blockage

Problem: Cleaner hard to push

Possible cause

Possible solution

- **Incorrect carpet height setting**
- Move nozzle control knob to lower setting

Lubrication

The motor is equipped with bearings that contain sufficient lubrication for the life of the motor. The addition of lubricant could cause damage.

Therefore, do not add lubricant to motor bearings.

The agitator is equipped with two ball bearings that should be lubricated periodically by a Hoover Factory Service Center or an Authorized Hoover Warranty Service Dealer (Depot).

Service

To obtain approved HOOVER service and genuine HOOVER parts, locate the nearest **Authorized Factory Service Center or Authorized Hoover Warranty Service Dealer (Depot)** by:

- checking the Yellow Pages under "Vacuum Cleaners - Household" OR
- checking the list of Factory Service Centers provided with this cleaner OR
- calling 1-800-944-9200 for an automated referral of authorized service locations (U.S. only)

Do not send your cleaner to The Hoover Company in North Canton for service, this will only result in delay.

If further assistance is needed, contact The Hoover Company Consumer Response Center, North Canton, Ohio 44720, Phone (330) 499-9499

In Canada, contact Hoover Canada, Burlington, Ontario L7R 4A8, Phone 1-800-263-6376

Always identify your cleaner by the **complete** model number when requesting information or ordering parts. (The model number appears on the bottom of the cleaner).

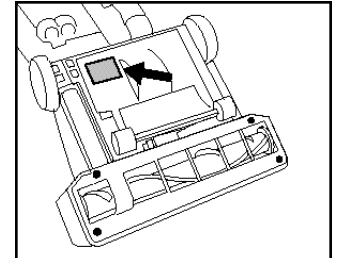
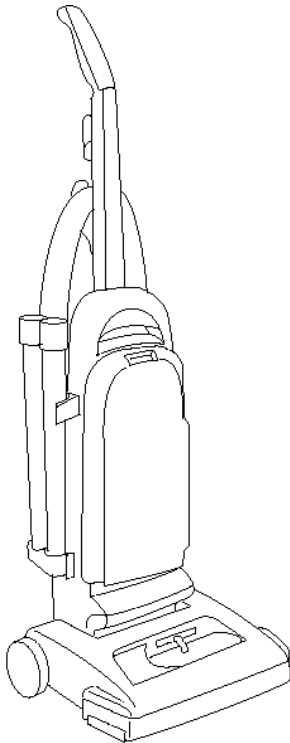
WindTunnel™ de uso comercial por Hoover

INSTRUCCIONES DE OPERACION

ENGLISH → pp. 1-12

ESPAÑOL → pp. 13-18

FRANÇAIS → pp. 19-24



Número de modelo _____

Número de serie _____

(Ubicados en la parte inferior de la aspiradora,
como se muestra)

Lea estas
instrucciones
antes de usar la
aspiradora

Índice

Ensamblado de la aspiradora.....	14
Descripción de la aspiradora.....	14
Cómo usar	
Accesorios de limpieza.....	15
Aspiradora vertical.....	14-15
Si tiene un problema	17
Salvaguardias importantes.....	13
Lubricación.....	18
Mantenimiento	
Servicio autorizado	18
Limpieza de los filtros.....	16
Desatascamiento de obstrucciones.....	17
Vacío de la bolsa de tela	15-16
Reemplazo del agitador.....	17
Reemplazo de la correa.....	17
Reemplazo de los limpiaorillas.....	17
Reemplazo de la luz delantera.....	16
Reemplazo de la bolsa de filtro de papel.....	16
Protector térmico.....	17
Desempaque de la aspiradora.....	14

¡Salvaguardias importantes!

Al usar un artefacto eléctrico observe siempre las precauciones básicas,
incluyendo la siguientes:

LEA TODA LAS INSTRUCCIONES ANTES DE USAR ESTE ARTEFACTO

Advertencia: Para reducir el riesgo de incendio, choque
eléctrico o lesiones:

- No use el artefacto a la intemperie o sobre superficies mojadas.
- Conecte solamente a una toma de corriente adecuadamente conectada a tierra. Vea "Instrucciones de conexión a tierra."
- Es necesaria una supervisión estricta cuando cualquier artefacto es utilizado por o cerca de los niños. No permita que la aspiradora sea usada como un juguete ni que funcione sin atención en ningún momento.
- Mantenga el cabello, las ropas holgadas, los dedos, los pies y todas las partes del cuerpo alejados de las aberturas, el agitador rotatorio o de otras piezas móviles. No opere la aspiradora con los pies descalzos o cuando use zapatos con los dedos descubiertos o sandalias.
- No aspire nada que esté ardiendo o humeando, tal como cigarrillos, fósforos o cenizas ardientes.
- No use este aparato para aspirar líquidos inflamables o combustibles como gasolina o restos de madera lijada, ni en áreas donde pudieran encontrarse presentes.
- Evite aspirar objetos duros o filosos con la aspiradora. Los mismos pueden dañar la aspiradora y la bolsa.
- Siempre apague el artefacto antes de conectar o desconectar la manguera.
- No la use sin la bolsa para polvo o los filtros. Cambie la bolsa frecuentemente al aspirar materiales muy finos tales como polvo.
- Ejerza más cuidado al limpiar escaleras.
- No coloque ningún objeto en las aberturas. No la use con ninguna abertura bloqueada; manténgala libre de polvo, pelusa, cabello, ni nada que pueda reducir el flujo de aire.
- No tire del, ni la transporte por el cordón, no use el cordón como un mango, no cierre la puerta sobre el cordón ni tire del cordón alrededor de los cantos agudos ni esquinas. No pase el artefacto sobre el cordón. Mantenga el cordón alejado de las superficies calientes.
- Desconecte siempre el cordón de la toma de corriente antes de prestar servicio a la aspiradora.
- Desenchufe la aspiradora cuando no se usa. Apague todos los controles antes de desenchufar.
- No desenchufe tirando del cordón. Para desenchufar, tome el enchufe, no el cordón. Nunca manipulee el enchufe ni el artefacto con las manos húmedas.
- No se recomienda el uso de un cordón de extensión.
- No use con un cordón ni con un enchufe dañado. Si el artefacto no está funcionando como debe, se ha caído, se ha averiado, se ha dejado al aire libre, o se ha caído al agua, llévelo al Centro de Servicio de Fábrica Hoover, o al Concesionario Autorizado de Servicio de Garantía de Hoover (Depósito).
- Use la aspiradora sólo para su uso específico según se describe en las instrucciones. Use solamente los accesorios recomendados por The Hoover Company; otros pueden causar riesgos.



¡Guardé estas instrucciones!

Use estas instrucciones en español junto con las figuras paso-a-paso provistas en el manual inglés.

PASO I Desempaque la caja

- 1 Saque todos los componentes de la caja e identifique cada pieza que se muestra. Asegúrese de ubicar todas las piezas antes de desechar el embalaje de cartón.
A. Sección del mango
B. Cuerpo de la aspiradora
C. Manguera, accesorios de limpieza y tubos
D. Paquete de pernos y tuercas del mango (en la bolsa con las instrucciones de operación)

No se requiere para el ensamble:
E. Bolsa de filtro de papel opcional (Bolsa de tela ya instalada en la aspiradora)
F. Correa de repuesto (una instalada en la aspiradora)

PASO II Coloque el mango

- 2 Saque la puerta de bolsa del cuerpo de la aspiradora empujando hacia abajo la parte superior de la puerta y tirándola hacia fuera.
El interruptor (A) ubicado encima de la puerta de la bolsa debe estar en la posición OFF (apagado).
- 3 Deslice el mango en el cuerpo de la aspiradora.
- 4 Introduzca los pernos en los agujeros en la parte posterior del mango.
- 5 Coloque las tuercas en las áreas huecas de la parte anterior del mango. Sujete cada tuerca en su lugar mientras aprieta cada perno firmemente con un destornillador Phillips (de cruz).
- 6 Vuelva a colocar la puerta de la bolsa encajando las lengüetas de la parte inferior de la puerta en el hueco. Empuje la parte superior de la puerta encajándola para que cierre firmemente.

PASO III Conecte la manguera

NOTA: Para todas las operaciones, la manguera debe conectarse como se muestra.

- 7 Alinee el extremo de la manguera con las proyecciones (A) encima de las ranuras (B) en el tubo de tierra.
- 8 Deslice la manguera (B) y tuerca la manguera para trabarla en su lugar.
- 9 Levante la tapa de la manguera (C).
Pase la manguera por encima del gancho (D) e insértela en el tubo para manguera (E).

PASO IV Coloque los accesorios

- 10 Coloque el extremo liso del tubo de extensión en la parte inferior del soporte. Encaje el tubo en la grapa. Repita con el otro tubo.
- 11 Encaje los extremos del cepillo para polvo (A), la boquilla para hendiduras (B) y la boquilla para muebles (C) en las grapas como se muestra.

Descripción de la aspiradora

- 12 La aspiradora ensamblada se verá como se muestra en el dibujo.
1. Mango
2. Ganchos para el cordón: enrosque el cordón alrededor de los ganchos, para guardarlo. El gancho superior se puede girar a la derecha o a la izquierda para soltar el cordón con facilidad.
3. Manguera
4. Interruptor ON/OFF: ubicado en la esquina trasera izquierda del cuerpo de la aspiradora.
5. Asa de transporte
6. Puerta de la bolsa
7. Mango para limpieza de escalones: ubicado debajo del borde inferior de la puerta.
8. Palanca para destrabar el mango: pise la palanca para bajar el mango a la posición operativa o inferior.
9. Luz delantera
10. Botón controlador de la boquilla: deslice el botón adecuándolo a la altura de la alfombra que se desea limpiar.
11. Protector de muebles: impide que la aspiradora marque los muebles.
12. Limpiaorillas
13. Tubos de extensión
14. Escape del filtro final
15. Cepillo para polvo
16. Boquilla para hendiduras
17. Boquilla para muebles
18. Gancho para la manguera

Cómo usar

Haga funcionar la aspiradora solamente al voltaje especificado en la plaquita de datos ubicada en la parte inferior de la aspiradora.

ADVERTENCIA: Si se usa al aire libre o sobre superficies mojadas se corre peligro de sufrir un choque eléctrico.

Instrucciones de conexión a tierra

- 13 Este artefacto debe conectarse a tierra. Si funciona mal o se descompone, la conexión a tierra provee una trayectoria de menor resistencia para que la corriente eléctrica reduzca el riesgo de choque eléctrico. Este artefacto está equipado con un cordón que tiene un conductor (C) de conexión a tierra del equipo y un enchufe de conexión a tierra (A). El enchufe debe enchufarse a una toma de corriente adecuada (B) que esté correctamente instalada y conectada a tierra de acuerdo con todos los códigos y ordenanzas locales.

PELIGRO

La conexión incorrecta del conductor de conexión a tierra puede resultar en el riesgo de choque eléctrico. Consulte con un electricista o técnico de servicio calificado si tiene dudas acerca de la conexión correcta de la toma de corriente. No modifique el enchufe provisto con el artefacto - si no calza en la toma de corriente, haga instalar una adecuada por un electricista calificado. Este artefacto es para usar en circuito nominal de 120 voltios y tiene un enchufe de conexión a tierra que se parece al enchufe ilustrado en el esquema (A).

- 14 Puede usarse un adaptador provisional (D) para conectarse este enchufe a una toma de corriente de 2 polos (E) de no estar disponible una toma de corriente adecuadamente conectada a tierra. El adaptador provisional debe usarse solamente hasta que pueda instalarse una toma de corriente adecuadamente conectada a tierra (B) por un electricista calificado. La orejeta, aleta, o algo similar, rígida de color verde (F), que se extiende desde el adaptador debe conectarse a una conexión permanente a tierra (G) tal como una cubierta de caja de la toma de corriente adecuadamente conectada a tierra. Siempre que se use el adaptador, debe mantenerse en su lugar mediante un tornillo de metal.

Nota: En Canadá, el uso de un adaptador provisional no está permitido por el Código Eléctrico Canadiense.

15 Enchufe el cordón en una toma de corriente eléctrica.
Para encender la aspiradora, empuje el interruptor (A) hacia la parte delantera de la aspiradora. Para apagarla, empuje (A) hacia la parte trasera de la aspiradora.

Posiciones del mango

16 El mango de la aspiradora tiene tres posiciones: **vertical** para guardarla y cuando se usan los accesorios de limpieza; **operativa para** el manejo general sobre alfombras y pisos; **baja** para meterla debajo de los muebles bajos. Pise la palanca para destrabar el mango para bajarlo.

Transporte de la aspiradora

17 Para trasladar la aspiradora de una habitación a otra, ponga el mango en la posición vertical, incline la aspiradora hacia atrás sobre las ruedas traseras y empujela hacia delante.

18 La aspiradora también puede ser trasladada usando el mango para sostenerla.

Ajuste según la altura de la alfombra

19 La aspiración de las alfombras y tapetes se lleva a efecto en la boquilla (A).

En caso de ser necesario elevar y bajar la boquilla para las distintas alturas del pelo de la alfombra, deslice el botón controlador de la boquilla (B) a la posición deseada.

20 Para facilitar el deslizamiento del botón, el mango debe estar en la posición vertical (C).

La boquilla no se moverá a la posición ajustada hasta después de bajar el mango de la aspiradora a la posición operativa (D).

21 **Para obtener el máximo de eficiencia de limpieza,** se recomiendan los ajustes siguientes:

- **Ajuste más bajo:** para todo tipo de alfombra
- **Ajustes más altos:** para alfombra de pelo muy denso donde se desea empujar haciendo menos fuerza, pero al mismo tiempo mantener una buena limpieza.

Nota: Si le cuesta mucho empujar la aspiradora, deslice el botón a la posición más alta siguiente.

Limpieza de los bordes

22 Se suministran limpiaorillas especiales en ambos costados de la boquilla para aspirar la alfombra

cerca de los zócalos y los muebles. Pase cualquiera de los costados de la boquilla paralelo a la orilla de la alfombra o el mueble.

Limpieza de escaleras

23 Se ha diseñado un mango para limpiar los escalones. Con el mango en la posición operativa, coloque los dedos debajo del borde del mango para limpiar escalones y pase la aspiradora con la otra mano puesta en el mango superior.

Como alternativa, en la limpieza de los escalones puede usar la manguera y la boquilla para muebles. Limpie empezando de abajo hacia arriba.

Durante el uso de los accesorios de limpieza, el agitador continúa girando.

PRECAUCION: Para evitar lesiones personales o el desgaste innecesario de la alfombra, y para impedir la falla de la aspiradora, ponga más cuidado al apoyar la aspiradora en los escalones.

Accesorios de limpieza

Los accesorios permiten limpiar las superficies encima del piso y para alcanzar lugares difíciles de limpiar.

La aspiradora está lista para usar un accesorio cuando el mango está en posición vertical.

PRECAUCION: Mientras el mango de la aspiradora está en posición vertical, el agitador continúa girando. Evite inclinar la aspiradora o apoyarla en los muebles, tapetes con flequillos o escalones alfombrados mientras está usando los accesorios.

Cómo limpiar los accesorios

Para limpiar la manguera, quite la suciedad con un trapo humedecido en un detergente líquido. Enjuague con un trapo húmedo. Puede lavar los accesorios de limpieza en agua caliente con detergente. Enjuague y deje secar al aire antes de usar.

Escoja el accesorio adecuado

24 **A. Cepillo para polvo** - se puede usar para muebles tallados, cubiertas de mesas, libros, lámparas, apliqués, persianas venecianas, zócalos, celosías y tomas de aire.

B. Boquilla para muebles - se puede usar para muebles tapizados, cortinas, colchones, interior de automóviles y escalones alfombrados.

C. Boquilla para hendiduras - se puede usar en espacios estrechos, rincones y a lo largo de los bordes en lugares como cajones de cómodas,

muebles tapizados, escaleras y zócalos.

D. Tubos - se usan para alargar la manguera. Puede usarlos con cualquiera de los accesorios antes mencionados.

Conecte los tubos de extensión y los accesorios

Cuando use los accesorios de limpieza, **el mango de la aspiradora debe estar en posición vertical. Antes de desconectar o conectar la manguera al tubo (A), APAGUE la aspiradora.**

25 Para usar la manguera, levante su extremo como se muestra.

Baje la tapa (B) sobre el tubo de la manguera. Después de terminar de limpiar con el accesorio, **no se olvide de levantar la tapa del tubo y volver a insertar el extremo de la manguera en el tubo.**

26 Conecte el accesorio o tubo de extensión a la manguera (C) insertándolo firmemente en la manguera.

Conecte el segundo tubo o accesorio al tubo de extensión (D) empujándolo firmemente en el tubo.

Tuerza ligeramente el tubo o el accesorio para apretar o soltar la conexión.

Mantenimiento

Desenchufe la aspiradora de la toma de corriente eléctrica antes de intentar hacerle cualquier reparación.

No use la aspiradora sin que tenga instalada la bolsa de filtro de tela o de papel.

Bolsa de filtro de tela

Cuándo reemplazarla

Revise de vez en cuando la bolsa de filtro. Vacíela frecuentemente. Si deja que la bolsa se llene demasiado, la aspiradora no funcionará eficientemente.

Cómo vaciar

27 Empuje en la parte superior de la puerta de la bolsa y tire hacia adelante. Saque la puerta.

28 Tome el collar (A) de la bolsa de filtro y tire el collar del tubo (B).

29 Encaje la tapa (C) en el hueco del collar.

30 Deslice la pinza de la bolsa de filtro desde la parte inferior de la bolsa.

31 Vacíe la bolsa de filtro sobre un papel, y sacúdala hasta que quede limpia.

32 Para volver a colocar la pinza de la bolsa, primero pliegue la parte superior de la bolsa sobre la tira de plástico (D).

Empuje la pinza sobre el borde.

33 Después de colocar la pinza, abra la tapa (C) de la bolsa.

34 Sujete la bolsa de filtro como se muestra en la figura 28, alineando la boca de la bolsa con (B).

Empuje (A) firmemente sobre (B).

Acomode la parte inferior de la bolsa en el compartimiento de la bolsa.

35 Vuelva a colocar la puerta de la bolsa introduciendo las lengüetas de su parte inferior en el hueco.

Oprima la parte superior de la puerta para que encaje y cierre firmemente.

En caso de necesitar una bolsa de tela de repuesto, solicitar el **No. de pieza 43667-050 de Hoover.**

Bolsa de filtro de papel opcional

Con esta aspiradora se puede usar una bolsa de papel desechable de **filtración de alérgenos tipo Y original Hoover®** en lugar de la bolsa de filtro de tela.

Cómo instalar

Desenchufe la aspiradora de la toma de corriente eléctrica.

1. Saque la bolsa de filtro de tela de la aspiradora de acuerdo a las figuras 27-29.

2. Sujete el collar de la bolsa de filtro de papel como se muestra en la figura 28, alineando la boca de la bolsa con el tubo (B). Empuje firmemente el collar contra el tubo.

3. Acomode la bolsa de filtro y vuelva a colocar la puerta como se muestra en la figura 35.

Cuándo reemplazar

Se recomienda cambiar la bolsa de filtro de papel cuando esté llena hasta la línea de puntos. Si se acumula más suciedad, la aspiradora no funcionará eficientemente.

PRECAUCION: Los materiales muy finos como el polvo de maquillaje, el almidón, las cenizas u el hollín de la chimenea, pueden obstruir la bolsa de filtro y hacerla explotar aunque esté parcialmente llena. Cuando use la aspiradora para extraer material de esa naturaleza, cambie la bolsa de filtro más frecuentemente.

Dónde comprarlas

Las bolsas de filtro puede comprarlas del Concesionario Autorizado de Servicio de Garantía de Hoover (Depósito) o de un Centro de Servicio de Fábrica Hoover. **Cuando haga el pedido de bolsas de filtro, no se olvide de dar el número de modelo de su aspiradora.**

Qué comprar

Para una limpieza mejor, use solamente bolsas de papel desechables filtros **Tipo Y de alérgeno filtración originales HOOVER®.**

Para tener la seguridad que su aspiradora funcione óptimamente, utilice solamente bolsas de filtro originales HOOVER fabricadas por The Hoover Company. Las bolsas de filtro HOOVER se identifican por estas marcas comerciales -



Filtros secundario y final

Cómo limpiar

Desenchufe la aspiradora de la toma de corriente eléctrica.

36 El **filtro secundario (A)**, ubicado detrás de la rejilla en la parte inferior del compartimiento de la bolsa, protege el motor contra las partículas de suciedad.

Si el filtro se ensucia, extraiga la rejilla y saque el filtro.

Lave el filtro a mano en agua fría con un detergente suave, déjelo secar al aire.

Vuelva a colocar el filtro seco y la rejilla.

En caso de querer reemplazar el filtro, pida la **pieza no. 38765022 de HOOVER.**

37 El **filtro final** ayuda durante el proceso de filtración para devolver el aire puro a la habitación.

Para sacar este filtro cuando está sucio, tírelo hacia fuera como se muestra.

Lávelo a mano en agua fría con un detergente suave.

Deje secar al aire y después colóquelo de vuelta en el costado de la aspiradora.

Vuelva a colocar la puerta de la bolsa.

Si desea cambiar este filtro, pida el no. de **pieza 43613066 de HOOVER.**

No pase la aspiradora sin que tenga instalados el filtro secundario o final.

La luz delantera

Qué comprar

Esta aspiradora usa una bombilla de 12 voltios, con base de cuña 912, **pieza no. 27313-101 de Hoover.**

Cómo reemplazar

Desenchufe la aspiradora de la toma de corriente eléctrica.

38 Con un destornillador, saque los dos tornillos como se muestra y saque el cristal.

39 Extraiga la bombilla tirándola recta fuera del receptáculo.

Empuje la bombilla nueva dentro del receptáculo hasta que encaje en su lugar.

No se requiere mucha fuerza.

40 Vuelva a colocar el cristal y sujételo con los dos tornillos.

La correa

La correa de su aspiradora HOOVER hace posible que el agitador gire, y es importante para el funcionamiento eficaz de la aspiradora. La correa está localizada debajo de la placa inferior de la aspiradora, y debe ser revisada de vez en cuando para asegurarse que esté en buen estado.

Cuándo reemplazar

Desenchufe la aspiradora de la toma de corriente eléctrica.

Para inspeccionar la correa, extraiga la placa inferior según se muestra en "Cómo reemplazar la correa." Si la correa está estirada, cortada o rota, reemplácela.

Qué comprar

Para asegurar un buen funcionamiento, use solamente correas originales HOOVER con su aspiradora. Al comprar una correa nueva solicite la **pieza no. 38528-033 de Hoover.**

Cómo reemplazar

Desenchufe la aspiradora de la toma de corriente eléctrica.

Coloque el mango en la posición operativa e invierta la aspiradora.

41 Saque los 4 tornillos como se muestra usando un destornillador Phillips. Saque la placa inferior (A).

42 Extraiga el agitador y la correa rota del agitador. Tire a la basura la correa vieja.

43 Con las letras en el lado exterior de la correa y colocada como se muestra en el encuadre en (D), deslice la correa nueva por encima de la polea (B) del motor.

44 Deslice el agitador a través de la correa nueva y coloque la correa en la guía (C) en el agitador.

Si el escudo protector (D) del agitador se llegara a salir mientras se reemplaza la correa o el agitador, vuelva a colocarlo como se muestra, observando la colocación de su guía (E) para la correa.

45 Tome firmemente el agitador y encájelo en su lugar deslizando primero el extremo opuesto de la correa en la ranura rectangular (F) en el costado de la aspiradora.

Encaje el otro lado del agitador (G) en su lugar.

Haga girar el agitador para asegurarse que la correa no queda comprimida entre el agitador y el escudo protector del agitador.

46 Vuelva a colocar la placa inferior y los 4 tornillos de cabeza Phillips. Apriete firmemente los tornillos.

Los limpiaorillas

Cuándo reemplazar

Los limpiaorillas de bordes situados a ambos lados de la boquilla se deben reemplazar cuando aparecen desgastados.

Qué comprar

Cuando compre los limpiaorillas, pida la **pieza No. 39511004 de HOOVER**.

Cómo reemplazar

Desenchufe la aspiradora de la toma de corriente eléctrica.

Saque la placa inferior como se describe en la sección "La correa" (Fig. 41).

47 Extraiga los dos limpiaorillas viejos y deslice los nuevos a su lugar como se muestra.

Vuelva a colocar la placa inferior y fijela con los 4 tornillos de cabeza Phillips.

El rodillo agitador

Cuándo reemplazar

48 Cuando las escobillas del agitador estén gastadas, se lo debe reemplazar. Para inspeccionar la condición de las escobillas, pase el borde de una tarjeta a lo ancho de la placa inferior mientras hace girar el agitador. Para mantener una limpieza eficaz, reemplace el agitador si las escobillas no tocan la tarjeta.

Qué comprar

La aspiradora necesita un agitador de 13 ó 15 pulgadas. Cuando compre un agitador nuevo, pida uno de los siguientes:

13 pulgadas - **No. de pieza 48414110 de HOOVER**

15 pulgadas - **No. de pieza 48414115 de HOOVER**

Cómo reemplazar

Desenchufe la aspiradora de la toma de corriente eléctrica.

Saque la placa inferior, la correa y el agitador según lo indicado en la sección "La correa" empezando con la figura 41.

Descarte el agitador viejo.

Continúa según las indicaciones en la sección "La correa" para volver a colocar la correa, el agitador nuevo y la placa inferior.

Desatascamiento de obstrucciones

Desenchufe la aspiradora de la toma de corriente eléctrica.

Si la aspiradora está aspirando débilmente se puede deber a un atascamiento u obstrucción en el sistema. Vea los pasos siguientes para inspeccionar los atascamientos **continúe con cada uno de los pasos hasta encontrarlos**:

1. Vea si la bolsa de filtro está llena; cámbiela si es necesario.

49 2. Enchufe la aspiradora y ENCIENDALA. Pruebe la succión en el extremo de la manguera

(A).

a. Si hay **succión**, continúe con el paso 3.

b. Si **no hay succión**, vea si hay atascamiento en la manguera y el tubo de tierra, de la manera siguiente:

1) Desconecte la manguera del tubo de tierra (C) procedimiento en orden inverso a lo indicado en "Conecte la manguera" en la página 3, figuras 8 y 9.

2) Despeje la manguera.

3) Mire el interior (C) y quite el atascamiento.

3. Inspeccione la conexión en el tubo (B) de la manguera; quite el atascamiento.

4. Apague la aspiradora y desenchúfela.

5. Saque la placa inferior, la correa y el agitador (vea la sección "La correa").

50 Mire el interior de la abertura (D) en busca de obstrucciones y extraígalas.

6. Quite el protector del agitador (vea la figura 44) y saque la basura que se pueda haber acumulado.

Protector térmico

Su aspiradora tiene incorporado un protector térmico para impedir que se sobrecaliente.

Cuando el protector térmico se activa, la aspiradora se apaga. Si esto sucede, proceda de la manera siguiente:

1. **APAGUE** la aspiradora y desconéctela de la toma de corriente eléctrica.

2. Revise si se ha acumulado suciedad en los filtros secundario y final.

3. Consulte la sección "Desatascamiento de obstrucciones".

4. **Una vez que la aspiradora esté sin obstrucciones y el motor se haya enfriado para 30 minutos**, el protector térmico se reposiciona automáticamente y se puede seguir pasando la aspiradora.

Si el protector térmico sigue activándose después de efectuar los pasos anteriores, es probable que su aspiradora necesita servicio (vea la sección "Servicio").

Si usted tiene un problema

Si ocurre un problema menor, generalmente puede resolverse con bastante facilidad cuando se halla la causa, utilizando la lista de verificación siguiente.

Problema: La aspiradora no funciona Causa posible

Solución posible

- **No está firmemente enchufada**
- Enchufe firmemente el enchufe
- **No hay voltaje en la toma de corriente de la pared**
- Inspeccione el fusible o el interruptor
- **Fusible quemado o se disparó el interruptor**
- Cambie el fusible o reconecte el interruptor
- **Protector térmico activado**
- Deje que la aspiradora se enfríe por 30 minutos (esto reposicionará el protector térmico)

Problema: La aspiradora/ accesorios no aspiran

Causa posible

Solución posible

- **La correa está rota**
- Cambie la correa
- **Las escobillas del rodillo están desgastadas**
- Cambie el rodillo de escobillas
- **La bolsa de filtro está llena**
- Cambie la bolsa de filtro
- **Ajuste incorrecto para la altura de la alfombra**
- Mueva el botón controlador de la boquilla a una posición más baja
- **Atascamiento en el conducto de flujo de aire**
- Despeje el atascamiento

Problema: Cuesta mucho empujar la aspiradora

Causa posible

Solución posible

- **Ajuste incorrecto para la altura de la alfombra**
- Mueva el botón controlador de la boquilla a una posición de ajuste más alto

Lubricación

No es necesaria ninguna lubricación pues los cojinetes del motor y del rodillo de escobillas están permanentemente lubricados. **La adición de lubricante podría causar daños. Por lo tanto, no añada lubricante a los cojinetes del motor.**

El agitador tiene dos cojinetes de bolas lo que deberá lubricar periódicamente un Centro de Servicio de Fábrica Hoover o un Concesionario Autorizado de Servicio de Garantía Hoover (Depósito).

Servicio

Para obtener el servicio aprobado HOOVER y piezas originales HOOVER, localice el Centro de Servicio de Fábrica **Hoover o el Concesionario Autorizado de Servicio de Garantía de Hoover (Depósito) más cercano:**

- buscando en las Páginas Amarillas bajo "Vacuum Cleaners - Household" ("Aspiradoras - Artículos del Hogar") O -
- buscando en la lista de Centros de Servicio de Fábrica provista con esta aspiradora O -
- llamando al 1-800-944-9200 para una referencia automática de la ubicación de los centros de servicio autorizados (EE.UU. solamente)

No envíe su aspiradora a The Hoover Company en North Canton para servicio, esto sólo resultará en demoras.

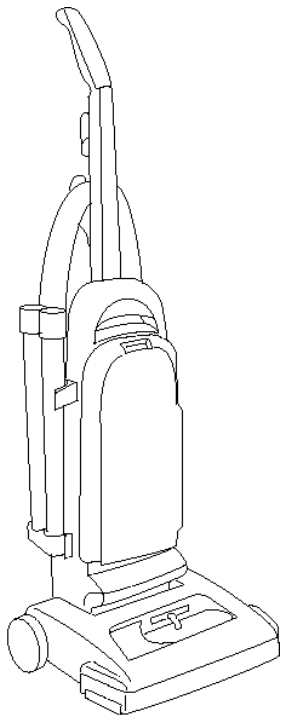
Si requiere asistencia adicional, consulte con The Hoover Company Consumer Response Center, North Canton, Ohio 44720: Teléfono (330) 499-9499.

En Canadá, consulte con Hoover Canada, Burlington, Ontario L7R 4A8. Teléfono 1-800-263-6376.

Al solicitar información o pedir piezas, identifique siempre su aspiradora por el número **completo** de modelo. (El número de modelo figura en la parte inferior de la aspiradora.)

Aspirateur commercial WindTunnel^{MC} de Hoover

MODE D'EMPLOI
 ENGLISH → pp. 1-12
 ESPAÑOL → pp. 13-18
 FRANÇAIS → pp. 19-24



Lire ces instructions avant d'utiliser l'aspirateur

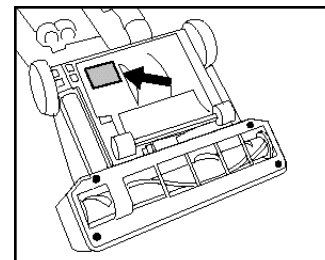
Index

Assemblage de l'aspirateur.....	20
Description de l'aspirateur	20
Utilisation	
Accessoires de nettoyage	21
Aspirateur-balai.....	21
En cas de problème.....	23
Conseils de sécurité	19
Graissage	24
Entretien	
Réparations	24
Nettoyage des filtres.....	22
Débouchages.....	23
Vider le sac en tissu	21-22
Remplacement de l'agitateur	23
Remplacement de la courroie	22
Remplacement des peignes latéraux	23
Remplacement de l'ampoule d'éclairage	22
Remplacement du sac-filtre en papier	21-22
Protection thermique	23
Déballage de l'aspirateur.....	20

Numéro de modèle : _____

Numéro de série : _____

(en bas de l'aspirateur comme illustré)



Conseils de sécurité!

En utilisant un appareil électrique, il faut toujours prendre certaines précautions, dont les suivantes.

LISEZ TOUT LE MODE D'EMPLOI AVANT D'UTILISER L'APPAREIL

Attention: Pour réduire les risques d'incendie, de décharges électriques et de blessures :

- N'utilisez pas cet appareil à l'extérieur ou sur une surface humide.
- Ne branchez que sur une prise correctement mise à la terre. Voir "Instructions de mise à la terre."
- Une surveillance rigoureuse est nécessaire lorsqu'un appareil électrique est utilisé par des enfants ou près d'eux. Ne les laissez pas jouer avec l'aspirateur et ne laissez jamais fonctionner l'appareil sans surveillance.
- Gardez vos mains, pieds, vêtements et cheveux éloignés des ouvertures de l'appareil, de l'agitateur et de toute autre pièce en mouvement. N'utilisez jamais l'aspirateur pieds nus ou en portant des chaussures à ajours ou des sandales.
- N'aspirez aucun objet qui brûle ou qui fume : cigarette, allumette ou cendres chaudes.
- Évitez d'aspirer des liquides inflammables ou des combustibles comme de l'essence ou de la sciure, et d'utiliser l'appareil dans des endroits où l'on en trouve.
- Évitez d'aspirer des objets durs ou tranchants, car ils risquent d'endommager l'aspirateur et le sac à poussière.
- Éteignez toujours l'appareil avant de raccorder ou de détacher le boyau.
- Débranchez toujours la fiche de la prise de courant avant de procéder à l'entretien de l'aspirateur.
- N'utilisez pas l'appareil sans les sacs et filtres prévus. Remplacez souvent le sac jetable si vous aspirez des matières fines, telles que de la poudre.
- Faites très attention en nettoyant des escaliers.
- Ne placez aucun objet dans les ouvertures et n'utilisez pas l'appareil si certaines ouvertures sont bouchées. Débarrassez souvent les ouvertures de ce qui pourrait réduire le débit d'air : poussière, charpie, cheveux.
- Ne tirez ni ne portez jamais l'appareil par son cordon; n'utilisez pas ce dernier comme une poignée; ne refermez pas de porte sur lui et ne le tirez pas autour d'un objet ou d'un coin vif. Ne faites pas rouler l'aspirateur sur le cordon. Gardez le cordon éloigné de toute surface chaude.
- Débranchez toujours l'appareil avant de procéder à des réparations.
- Débranchez l'aspirateur lorsqu'il ne sert pas. Éteignez l'appareil avant de le débrancher.
- Ne débranchez pas en tirant sur le fil. Pour débrancher, saisissez la prise et non le fil. Ne maniez jamais un appareil ou une fiche avec des mains mouillées.
- L'emploi d'une rallonge n'est pas recommandé.
- N'utilisez pas l'aspirateur en cas de dégâts au cordon ou à la fiche. Si l'aspirateur ne fonctionne pas correctement, est tombé, endommagé, a été laissé à l'extérieur ou a été immergé, apportez-le à un centre de service Hoover ou chez un réparateur agréé par Hoover.
- L'aspirateur ne doit servir que pour ses utilisations prévues, telles que décrites dans le mode d'emploi. Utilisez seulement les accessoires recommandés par le fabricant. En utiliser d'autres peut être dangereux.

Conservez ce mode d'emploi !



Utilisez les instructions en français avec les schémas étape par étape du manuel d'instruction en anglais.

ÉTAPE I Déballage

1 Sortez toutes les pièces de l'emballage et identifiez chaque article illustré. Assurez-vous d'avoir trouvé toutes les pièces avant de jeter l'emballage.

- A. Manche
- B. Aspirateur
- C. Boyau, accessoires et raccords
- D. Visserie du manche (dans le sac avec le mode d'emploi)

Pas nécessaire pour l'assemblage:

- E. Sac filtrant en papier optionnel (sac en tissu déjà installé dans l'aspirateur)
- F. Courroie de rechange (il y en a un dans l'aspirateur)

ÉTAPE II Montage du manche

2 Déposez la porte du compartiment de sac de l'aspirateur en poussant sur le haut de la porte et en tirant vers l'extérieur.

Le commutateur (A) au-dessus de la porte du compartiment de sac doit être dans la position d'arrêt (OFF).

- 3** Glissez le manche sur l'aspirateur.
- 4** Poussez les boulons dans les trous au dos du manche.
- 5** Placez les écrous dans les renfoncements sur le devant du manche. Tenez chaque écrou en place tout en serrant fermement chaque boulon avec un tournevis cruciforme.
- 6** Repositionnez la porte du compartiment du sac en ajustant les languettes en bas de la porte dans l'ouverture. Appuyez sur le haut de la porte pour bien emboîter.

ÉTAPE III Fixation du boyau

REMARQUE: Le boyau doit être connecté comme indiqué pendant la marche.

- 7** Alignez l'extrémité du boyau avec les projections (A) sur les fentes (B) dans le conduit de saleté.
- 8** Glissez le boyau dans (B) et tournez-le pour le bloquer en place.
- 9** Soulevez le couvercle du tube de boyau (C).

Positionnez le boyau sur le crochet de boyau (D) et dans le tube du boyau (E).

ÉTAPE IV Rangement des accessoires

- 10** Placez la plus petite extrémité lisse du raccord dans le bas du porte-accessoires. Emboîtez le raccord dans la pince. Répétez la procédure avec l'autre raccord.
- 11** Emboîtez dans les pinces les extrémités de la brosse à dépolisier (A), du suceur étroit (B) et du suceur à mobilier (C), conformément aux illustrations.

Description de l'appareil

12 L'aspirateur assemblé ressemble au dessin.

- 1. Manche**
- 2. Crochets de fil :** enroulez le fil autour des crochets pour le ranger. Le crochet supérieur peut être tourné vers la droite ou la gauche pour dégager le fil.
- 3. Boyau**
- 4. Commutateur MARCHE/ARRÊT (ON/OFF):** au coin arrière gauche de l'aspirateur.
- 5. Poignée de transport**
- 6. Porte de compartiment de sac**
- 7. Manche de nettoyage des escaliers :** sous le bord inférieur de la porte.
- 8. Levier de dégagement de manche :** appuyez du pied sur le levier pour abaisser le manche en position de fonctionnement ou basse.
- 9. Éclairage**
- 10. Bouton de contrôle de suceur :** glissez le bouton pour corriger le réglage en fonction de l'épaisseur de la moquette à nettoyer.
- 11. Protection de mobilier :** empêche l'aspirateur d'abîmer le mobilier.
- 12. Peignes latéraux**
- 13. Raccords**
- 14. Filtre final de sortie**
- 15. Brosse dépolisier**
- 16. Suceur**
- 17. Suceur à mobilier**
- 18. Crochet de boyau**

Utilisation

Utiliser l'aspirateur uniquement à la tension spécifiée sur la plaque signalétique en bas de l'aspirateur.

AVERTISSEMENT : Il y a risque d'électrocution si l'appareil est utilisé dehors ou sur des surfaces mouillées.

Instructions de mise à la terre

13 Cet appareil doit être mis à la terre. En cas de défaillance ou de panne, la mise à la terre offre une voie de moindre résistance pour le courant électrique pour réduire le risque d'électrocution. Cet appareil est équipé d'un fil ayant un conducteur (C) de mise à la terre de l'équipement et une prise de mise à la terre (A). La prise doit être branchée dans une prise femelle appropriée (B) correctement installée et mise à la terre conformément aux règlements en vigueur.

DANGER

Une connexion incorrecte du conducteur de mise à la terre de l'équipement peut causer le risque d'électrocution.

Consulter un électricien ou un réparateur qualifié en cas de doute sur la mise à la terre de la prise. Ne pas modifier la prise fournie avec l'appareil - si elle ne rentre pas dans la prise murale, faire installer une prise appropriée par un électricien qualifié. Cet appareil doit fonctionner sur un circuit de 120 volts nominal et a une prise de mise à la terre semblable à celle du schéma (A).

14 Un adaptateur temporaire (D) peut être utilisé pour connecter cette prise à une prise à 2 fentes (E) s'il n'y a pas de prise correctement mise à la terre. L'adaptateur temporaire ne doit être utilisé que jusqu'à ce qu'une prise correctement mise à la terre (B) puisse être installée par un électricien qualifié. La patte rigide verte (F) dépassant de l'adaptateur doit être connectée à une terre permanente (G) comme un couvercle de boîtier de prise correctement mis à la terre. Chaque fois que l'adaptateur est utilisé, il doit être tenu en place par une vis métallique.

REMARQUE: Au Canada, l'utilisation d'un adaptateur temporaire n'est pas permis par le code électrique canadien.

15 Pour mettre en marche l'aspirateur, poussez l'interrupteur (A) vers l'avant. Pour l'arrêter (A), poussez l'interrupteur vers l'arrière.

Positions du manche

16 Le manche de l'aspirateur comporte trois positions : **verticale** pour le rangement ou l'utilisation d'accessoires de nettoyage; **utilisation** pour l'entretien général des moquettes et planchers; **basse** pour permettre de nettoyer sous les meubles bas. Appuyez sur le levier de déblocage du manche pour l'abaisser.

Transport de l'aspirateur

17 Pour transporter l'aspirateur d'une pièce à une autre, placez le manche en position verticale, inclinez l'aspirateur vers l'arrière sur ses roues, et poussez-le.

18 On peut également transporter l'aspirateur en le soulevant par la poignée.

Réglage selon l'épaisseur des tapis

19 L'aspiration des moquettes et des tapis a lieu au niveau du suceur (A).

S'il s'avère nécessaire de lever et d'abaisser le suceur pour diverses épaisseurs de moquette, glissez le bouton de contrôle de suceur (B) sur le réglage désiré.

20 Pour faciliter le glissement du bouton, le manche doit être dans la position verticale (C).

Le suceur ne se met pas dans la position réglée avant que le manche de l'aspirateur ne soit abaissé en position de fonctionnement (D).

21 Pour une performance maximum d'aspiration, les réglages suivants d'épaisseur de moquette sont recommandés.

• **Réglage le plus bas** : pour tous les types de moquette

• **Réglages plus hauts** : pour faciliter le nettoyage des moquettes très épaisses tout en assurant une bonne performance d'aspiration.

Remarque : S'il est difficile de pousser l'aspirateur, glissez le bouton au réglage en position plus haute.

Nettoyage sur les côtés

22 Des peignes latéraux spéciaux sont fournis sur les deux côtés pour retirer la saleté de la moquette près des plinthes et du mobilier. Guidez chaque côté du suceur parallèlement au bord de moquette ou de mobilier.

Nettoyage des escaliers

23 Une poignée a été spécialement conçue pour faciliter le nettoyage des escaliers. Tout en gardant le manche en position de marche, placez les doigts sous la poignée et guidez l'appareil de l'autre main avec le haut du manche.

Vous pouvez également vous servir du boyau et du bec pour mobilier pour ce type de nettoyage.

L'agitateur continue de tourner lors de l'urllisation des accessoires.

ATTENTION : Afin d'éviter tout danger de blessures, de chute de l'appareil, et pour ne pas user la moquette inutilement, soyez très vigilant lorsque l'appareil est placé sur des marches d'escalier.

Accessoires de nettoyage

Les accessoires permettent le nettoyage de surface au-dessus du sol et d'atteindre des zones difficiles à nettoyer.

L'aspirateur est prêt à utiliser un accessoire lorsque le manche est vertical.

ATTENTION : L'agitateur continue de tourner lorsque le manche de l'aspirateur est en position verticale. Évitez de basculer l'aspirateur ou de le poser sur le mobilier, les franges de tapis ou les escaliers recouverts de moquette pendant l'utilisation d'accessoire.

Nettoyage des accessoires

Pour nettoyer le boyau, épongez la saleté à l'aide d'un chiffon humidifié avec un nettoyant liquide. Rincez avec un chiffon humide. Vous pouvez nettoyer les accessoires dans de l'eau chaude avec un produit nettoyant. Rincez et séchez avant de les réutiliser.

Sélection des accessoires

24 **A. Brosse à épousseter** à utiliser pour les meubles sculptés, dessus de table, livres, lampes, appareils d'éclairage, stores, plinthes, volets et registres.

B. Bec pour mobilier, pour les meubles capitonnés, tentures, tapisseries, matelas, vêtements, intérieurs d'automobiles et escaliers en moquette.

C. Bec suceur, pour les recoins, coins et rebords, tiroirs de commode, meubles capitonnés, escaliers et plinthes.

D. Rallonges du boyau. Attachez-y un des accessoires ci-dessus.

Fixation de raccord et d'accessoires

Lors de l'utilisation des outils de nettoyage, **le manche doit être dans la position droite. Amenez l'interrupteur sur OFF avant de débrancher et de connecter le boyau sur le tube (A).**

25 Pour utiliser le boyau, soulevez l'extrémité du boyau comme illustré.

Abaissez le couvercle (B) sur le tube de boyau. Lorsque vous avez terminé de nettoyer avec les accessoires, **assurez-vous de soulever le couvercle du tube**

de boyau et de replacer l'extrémité du boyau dans le tube.

Fixez l'accessoire ou le raccord au boyau (C) en l'enfonçant fermement dans le boyau.

26 Fixez le second raccord ou accessoire au raccord (D) en l'enfonçant fermement sur le raccord.

Tournez légèrement le raccord ou l'accessoire pour serrer ou desserrer la connexion.

Entretien

Débrancher l'aspirateur de la prise électrique avant de l'entretenir. Ne pas utiliser l'aspirateur sans un sac filtrant en tissu ou en papier en place.

Le sac filtrant en tissu

Fréquence de empty

Inspecter le sac filtrant de temps en temps. Il faut le vider souvent. Si le sac filtrant déborde, l'aspirateur ne peut pas fonctionner efficacement.

Pour vider le sac

27 Appuyer en haut de la porte du sac et tirer vers soi. Déposer la porte.

28 Tenir le collier du sac filtrant (A) et tirer le collier du tube (B).

29 Emboîter le bouchon dans l'ouverture du collier.

30 Glisser la pince du sac filtrant du bas du sac.

31 Vider le sac filtrant au-dessus d'un papier, en secouant le sac jusqu'à ce qu'il soit vide.

32 Pour remettre en place la pince de sac filtrant, commencer par plier le haut du sac sur la bande en plastique (D).

Pousser la pince sur le bord.

33 Après avoir remis la pince en place, ouvrir le bouchon du sac (C).

34 Tenir le sac filtrant comme indiqué à la figure 28 en alignant l'ouverture du sac avec (B). Pousser (A) fermement sur (B). Rentrer le bas du sac filtrant dans le compartiment de sac.

35 Remettre la porte du sac en place en plaçant les languettes du bas de la porte dans l'ouverture.

Appuyer le haut de la porte pour bien l'emboîter et la fermer.

Pour remplacer le sac filtrant en tissu, veuillez demander la pièce Hoover N° 43667-050.

Sac filtrant en papier optionnel

Un sac en papier jetable de **filtration de particules allergisantes de type Y Hoover d'origine peut être** utilisé avec l'aspirateur à la place du sac filtrant en tissu.

Installation

Débranchez l'aspirateur de la prise électrique.

1. Retirer le sac filtrant en tissu de l'aspirateur conformément aux instructions des figures 27 à 29.
2. Tenir le collier du sac filtrant en papier comme illustré à la figure 28, en alignant l'ouverture du sac avec le tube (B). Pousser fermement le collier sur le tube.
3. Rentrer le sac filtrant et remettre en place la porte du sac conformément à la figure 35.

Quand changer le sac en papier

Il est recommandé de changer le sac filtrant en papier lorsque la saleté atteint le trait en pointillés. Si de la saleté s'accumule au-dessus de ce trait, l'aspirateur ne fonctionne pas efficacement.

ATTENTION : Des matières très fines comme la poudre à maquillage, l'amidon de maïs, les cendres ou la suie, peuvent obstruer le filtre jetable qui peut éclater même s'il n'est pas complètement plein. Si vous aspirez de telles matières, changez souvent le sac-filtre.

Où les trouver

Vous trouverez ces sacs-filtres auprès de votre détaillant Hoover ou d'un centre de réparations Hoover. **Lorsque vous passez commande, assurez-vous de donner le numéro du modèle de votre aspirateur.**

Type de filtre

Afin d'obtenir la propreté maximale, employez les **sacs-filtrant en papier HOOVER® à filtration des allergènes de type Y.**

Afin que l'aspirateur fonctionne au meilleur de son rendement, n'utilisez que les sacs-filtres d'origine HOOVER, distribués par Hoover Canada. Les sacs-filtres HOOVER se repèrent aux marques de commerce ci-contre.

Hoover®



Le filtre secondaire et le filtre final

Nettoyage

Débranchez l'aspirateur de la prise.

Le **filtre secondaire (A)**, derrière la grille en bas du compartiment de sac, **36** protège le moteur contre les particules de saleté.

Si le filtre se salit, écarter la grille et sortez le filtre.

Lavez le filtre à la main sous l'eau froide avec un détergent modéré puis séchez-le à l'air.

Repositionnez le filtre sec et la grille.

Si vous voulez remplacer ce filtre, demandez la pièce **HOOVER N° 387650022**.

Le filtre final contribue au processus de filtration permettant de renvoyer de l'air propre dans la pièce.

37 Pour retirer ce filtre quand il est sale, sortir le filtre conformément à l'illustration.

Laver le filtre à la main sous l'eau froide avec un détergent modéré.

Laisser le filtre **sécher à l'air et le remettre en place sur le côté de l'aspirateur.**

Remettre en place la porte du sac.

Pour replacer le filtre, demandez la pièce **HOOVER N° 43613006**.

N'utilisez pas l'aspirateur sans le filtre final ou le filtre secondaire en place.

Éclairage

Type d'ampoule

Utilisez des ampoules Hoover de 12 volts à culot poussoir, type 912, **N° de pièce 27313-101**.

Mode de remplacement

Débranchez l'aspirateur de la prise électrique.

38 Avec un tournevis, déposez les deux vis comme illustré et soulevez la lentille.

39 Sortez la vieille ampoule de la douille. Enfoncez l'ampoule neuve dans la douille jusqu'à ce qu'elle soit bloquée en place.

Il est superflu d'exercer une force excessive.

40 Repositionnez la lentille et bloquez-la avec les deux vis.

Courroie

La courroie permet à l'agitateur de tourner. Elle est très importante en ce qui concerne le bon fonctionnement de votre aspirateur HOOVER. Elle est placée sous la plaque du dessous de l'appareil et devrait être vérifiée de temps en temps.

Fréquence de remplacement

Débranchez l'aspirateur de la prise électrique.

Pour inspecter la courroie, déposez la plaque inférieure comme illustré dans "Mode de remplacement". Remplacez la courroie si elle est détendue, coupée ou déchirée.

Type

Pour un bon fonctionnement, n'utilisez que des courroies d'origine HOOVER, et demandez le **n° de pièce 38528033**.

Mode de remplacement

Débranchez l'aspirateur de la prise

Placez le manche en position basse et retournez l'aspirateur pour que le dessous en soit dirigé vers le haut.

41 Déposez les 4 vis comme illustré avec un tournevis cruciforme. Soulevez la plaque inférieure (A).

42 Déposez l'agitateur et la courroie usagée. Jetez la courroie usagée.

43 Avec le texte imprimé sur l'extérieur de la courroie comme illustré en (D), glissez la nouvelle courroie sur la poulie du moteur (B).

44 Insérez l'agitateur dans la courroie et placez la courroie dans le guide-courroie (C) sur l'agitateur.

Si la protection d'agitateur (C) se déloge lors du remplacement de la courroie ou de l'agitateur, repositionnez-la comme illustré en notant le positionnement du guide-courroie(E).

45 Tenez fermement l'agitateur et mettez-le en place en glissant l'extrémité opposée à la courroie dans la fente rectangulaire (F) sur le côté de l'aspirateur. Tirez l'autre côté de l'agitateur (G) en place.

Tournez l'agitateur en vous assurant que la courroie ne soit pas pincée entre l'agitateur et la protection d'agitateur.

46 Repositionnez la plaque inférieure et les 4 vis à tête cruciforme. Serrez fermement les vis.

Les peignes latéraux

Fréquence de remplacement

Les balais latéraux situés des deux côtés de la buse doivent être remplacés lorsqu'ils sont usés.

Remplacement

Lors de l'achat les peignes latéraux, demandez la pièce **HOOVER N° 39511006**.

Mode de remplacement

Débranchez l'aspirateur de la prise électrique.

Déposez la plaque inférieure comme décrit dans la section "courroie" (fig. 41).

47 Soulevez les deux vieux peignes latéraux et glissez les nouveaux peignes latéraux en place comme illustré.

Repositionnez la plaque inférieure et bloquez-la avec les 4 vis à tête cruciforme.

Le rouleau-brosse de l'agitateur

Fréquence de remplacement

48 Lorsque les brosses de l'agitateur sont usées, l'agitateur doit être remplacé. Pour vérifier l'état des brosses, déplacez le bord d'une carte en travers de la plaque inférieure tout en tournant l'agitateur. Pour maintenir l'efficacité de nettoyage, remplacez l'agitateur si les brosses ne touchent pas la carte.

Remplacement

L'aspirateur nécessite un agitateur de 13 pouces ou de 15 pouces. Lors de l'achat d'un nouvel agitateur, demandez:

13 pouces - pièce HOOVER N° 48414110

15 pouces - pièce HOOVER N° 48414115

Mode de remplacement

Débranchez l'aspirateur de la prise.

Déposez la plaque inférieure, la courroie et l'agitateur en suivant les instructions de la section "Courroie" en commençant à la figure 41.

Jetez le vieux agitateur.

Continuez en suivant les instructions de la section "Courroie" pour repositionner la courroie, le nouvel agitateur et la plaque inférieure.

Débouchages

Débranchez l'aspirateur de la prise.

Une aspiration faible peut être due à un colmatage. Voir la procédure suivante pour rechercher les colmatages en **continuant avec chaque étape jusqu'à identifier le colmatage** :

1. Inspectez le remplissage du sac filtrant; changez-le le cas échéant.

49 2. Branchez l'aspirateur et mettez-le en marche. Vérifiez l'aspiration au bout du boyau (A).

a. S'il y a de l'**aspiration**, allez à l'étape 3.

b. **Si non**, recherchez le colmatage du boyau et des tubes de saleté de la manière suivante :

1) Débranchez le boyau du conduit de saleté (C) en inversant la procédure de "Fixation du boyau" page 3, figures 7 et 8.

2) Débouchez le boyau.

3) Regardez dans (C) et débouchez.

3. Inspectez la connexion du tube du boyau (B); débouchez le cas échéant.

4. Coupez l'aspirateur et débranchez-le.

5. Déposez la plaque inférieure, la courroie et l'agitateur (voir la section "Courroie").

50 Regardez dans l'ouverture (D) en recherchant les obstructions et retirez-les.

6. Retirer la protection de l'agitateur (voir la figure 42) et retirer les débris qui peuvent s'être accumulés en dessous.

Protection thermique

Votre aspirateur est équipé d'une protection thermique interne pour le protéger contre les surchauffes.

Lorsque la protection thermique est activée, l'aspirateur arrête de fonctionner. Dans ce cas, procédez de la sorte:

1. Coupez l'aspirateur et débranchez-le de la prise électrique.

2. Examinez l'accumulation de saleté dans le filtre secondaire et le filtre final.

3. Reportez-vous à la section "Débouchages".

4. **Lorsque l'aspirateur est débranché et le moteur refroidi pour 30 minutes**, la protection thermique se réinitialise automatiquement et l'aspiration peut reprendre.

Si la protection thermique continue de s'activer après avoir suivi les étapes ci-dessus, l'aspirateur peut avoir besoin d'être réparé (voir la section "Réparation").

En cas de problème

Si un problème mineur se produit, il peut généralement être résolu facilement lorsque la cause en est identifiée grâce à la liste de contrôles ci-dessous.

Problème : L'appareil ne fonctionne pas

Cause possible

Solution possible

- **Fiche mal branchée**
- Branchez la fiche fermement
- **Pas de courant à la prise**
- Vérifiez le fusible ou le disjoncteur
- **Fusible sauté ou disjoncteur déclenché**
- Changez le fusible ou mettez le disjoncteur à zéro
- **Protection thermique en fonctionnement**
- Laissez l'aspirateur se refroidir pendant 30 minutes (cela permet de remettre à zéro la protection thermique)

Problème : l'aspirateur ou les accessoires n'aspirent pas

Cause possible

Solution possible

- **Courroie cassée ou usée**
- Remplacez la courroie
- **Brosses de l'agitateur usées**
- Remplacez le manchon
- **Sac-filtre à poussière plein**
- Changez le sac-filtre jetable
- **Mauvais réglage de la buse**
- Déplacez le bouton de réglage du suceur au réglage le plus bas.
- **Colmatage du passage d'air**
- Débouchez

Problème : Aspirateur difficile à pousser

Cause possible

Solution possible

- **Mauvais réglage de la buse**
- Réglez la buse sur une position supérieure

Graissage

Le moteur est muni de roulements qui sont suffisamment graissés pour bien fonctionner pendant toute la durée de service du moteur. Ajouter de l'huile ne ferait qu'endommager l'appareil. **Il ne faut donc ajouter aucun lubrifiant à aucun des roulements du moteur.**

L'agitateur est muni de deux roulements à billes qui, eux, ont besoin d'être graissés de façon périodique, par un centre de réparations Hoover ou chez un réparateur agréé par Hoover.

Réparations

Pour obtenir des pièces HOOVER d'origine et un service après-vente approuvé HOOVER, repérez le **centre de service après-vente Hoover ou le dépôt de service de garantie Hoover agréé le plus proche** :

- en consultant les pages jaunes de l'annuaire sous "Aspirateurs-domestiques" OU
- en examinant la liste des centres de service en usine fournie avec cet aspirateur OU
- en appelant Hoover Canada au 1-800-463-3923 (Montreal)

N'envoyez pas l'aspirateur pour réparation à Hoover Canada, à Burlington. Ceci n'entraînerait qu'un retard inutile.

Pour tout renseignement complémentaire, veuillez vous adresser à : **Hoover Canada, Burlington, Ontario L7R 4A8. 1-800-463-3923 (Montréal).**

Donnez toujours le numéro **complet** du modèle de votre aspirateur lorsque vous demandez des renseignements ou que vous commandez des pièces de rechange. (Le numéro du modèle se trouve au dos du capot de l'aspirateur.)

HOOVER y  son marcas registradas

HOOVER et  sont des marques déposées

HOOVER and  are registered trademarks