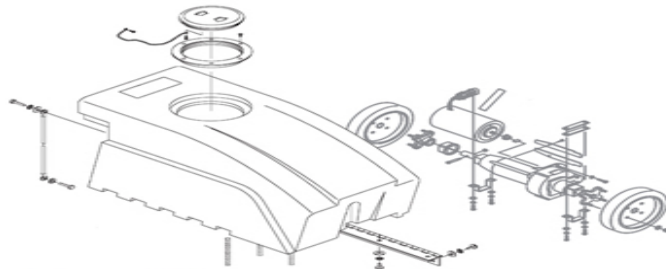
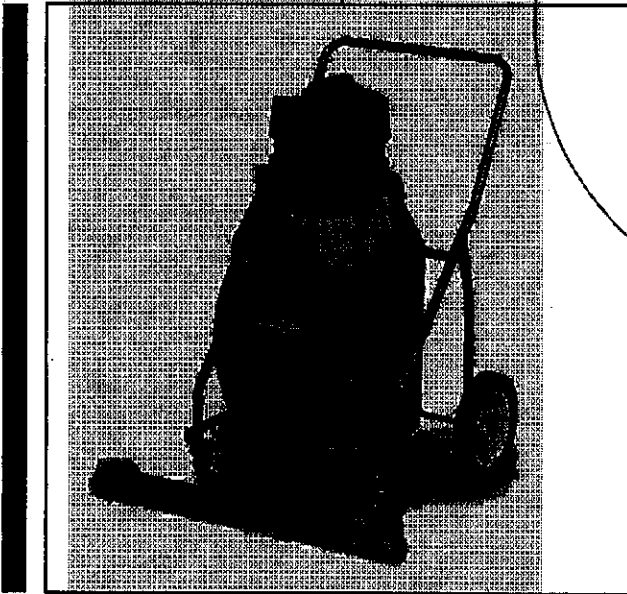


Foreman™ 18TP 18 Gallon Wet/Dry Vacuum

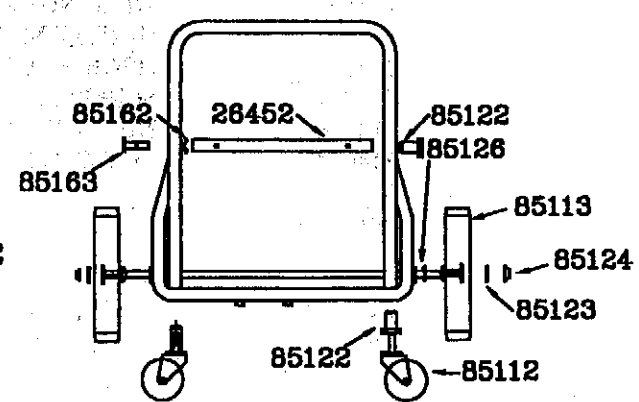
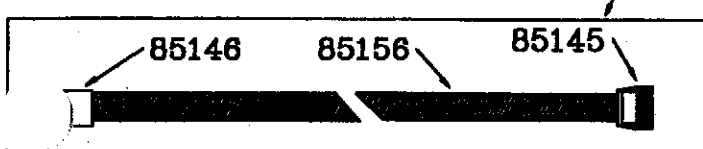
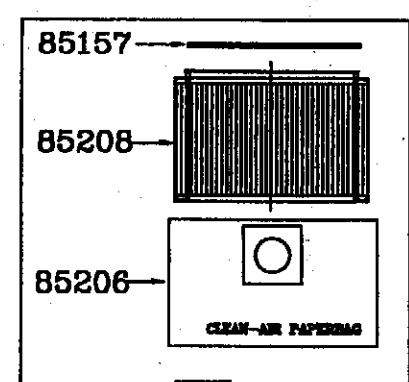
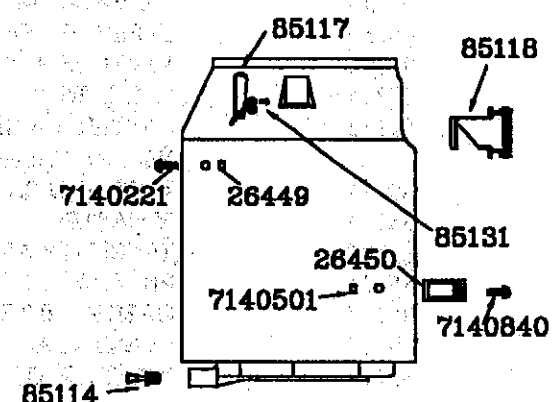
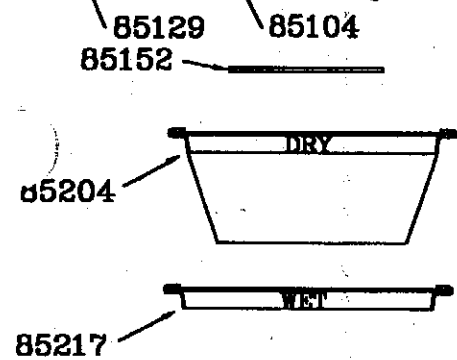
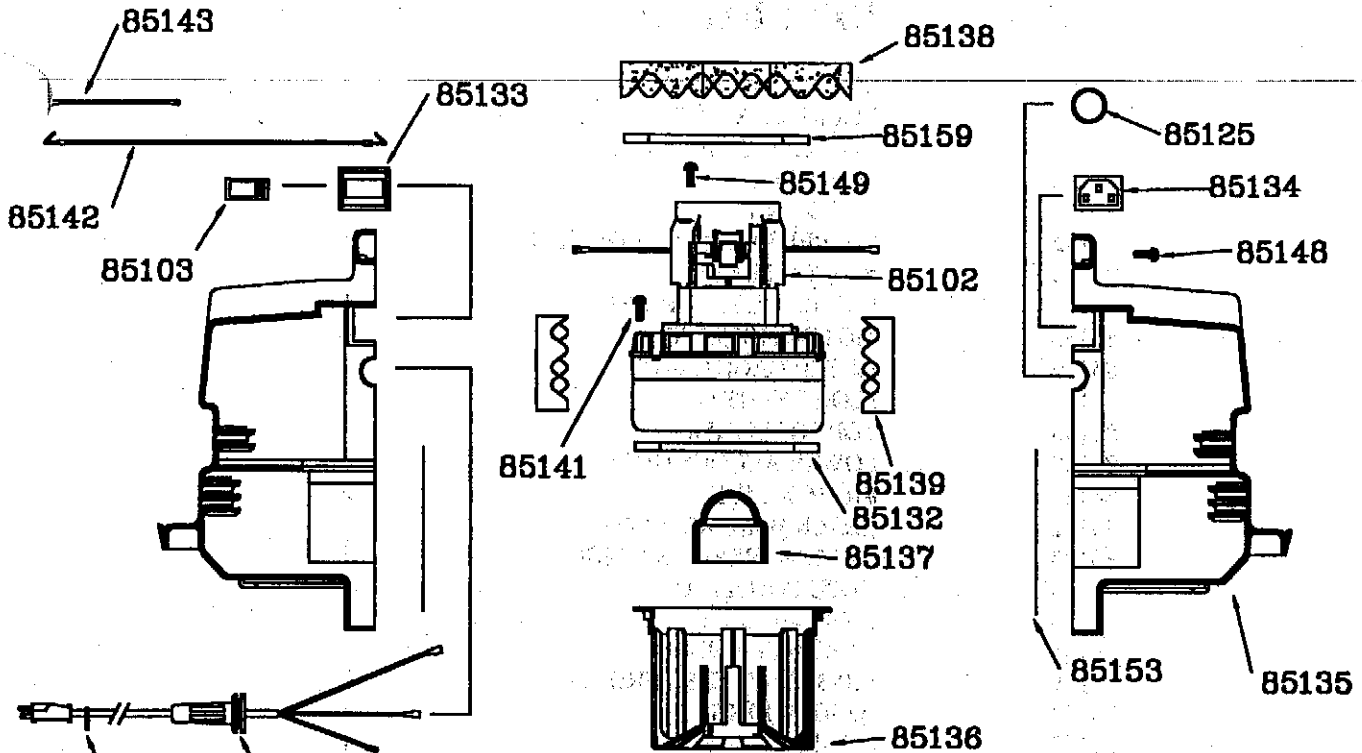
Parts Schematic

Item #85022



FLOOREQUIPMENTPARTS.COM

Better Resources. Better Results.
BETCO®





ITEM	DESCRIPTION	QTY REQ
85102	MOTOR SMALL BI-PASS	1
85103	ROCKER SWITCH	1
85104	CORD ASSEMBLY 16/3 X 50'	1
85125	DOME PLUG	1
85129	CORD GRIP	1
85132	UNIVERSAL MOTOR GASKET	1
85133	SWITCH PLATE	1
85134	POWER OUTLET PLUG	1
85135	MOTOR HOUSING	2
85136	FILTER CAGE LARGE	1
85137	FLOAT SHUT OFF	1
85138	TOP FOAM DISK	1
85139	LOWER ACCOUSTIC FOAM	8
85141	#10-16 X 1 PHS	2
85142	BLACK WIRE ASSEMBLY	1
85143	GROUND WIRE ASSEMBLY	1
85145	HOSE COUPLING	1
85146	1 1/2 HOSE CUFF	1
85148	#8 X 3/4 PHS HI-LO	12
85149	#10-32 X 3/8 PHS - GROUND	2
85152	JOGGER RING	1
85153	HOUSING GASKET	1
85156	1 1/2 VACUUM HOSE	1
85159	UPPER MOTOR GASKET	1
85202	VACUUM HOSE ASSEMBLY	1
85204	LARGE DRY FILTER	1
85122	CASTER SOCKET	4
85123	NYLON WASHER	4
85124	AXLE END CAPS	2
85112	3" CASTER	2
85126	TENSION WASHER	2
85131	#10 X 3/8 PHS HI-LO	4
85217	GASKET FILTER TX	1
85117	CLAMP PLASTIC	2
85118	INLET AIR DEFLECTOR	1
85114	DRAIN PLUG ASSEMBLY	1
85113	10" WHEEL GREY	2
85162	HITCH PIN CLIP SS	2
85163	CLEVIS PIN - TANK HINGE	2
26449	WELD NUT SIZED	2
26450	HANDLE MACHINED	1
26452	HINGE TUBE T & P PTD WWG	1
7140221	SCREW 5/16-18 X 1-1/4 HXHDCP SS	2
7140501	NUT 1/2-20 NYLK SS	2
7140840	SCREW 1/4-20 X 1 RNDPHL SS	2
OPTIONS		
85208	FILTER HEPA LARGE	1
85157	CLAMP HEPA FILTER	1
85206	CLEAN-AIR FILTER BAG (10-PAK)	1