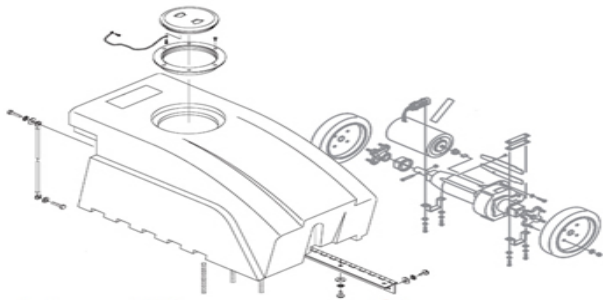
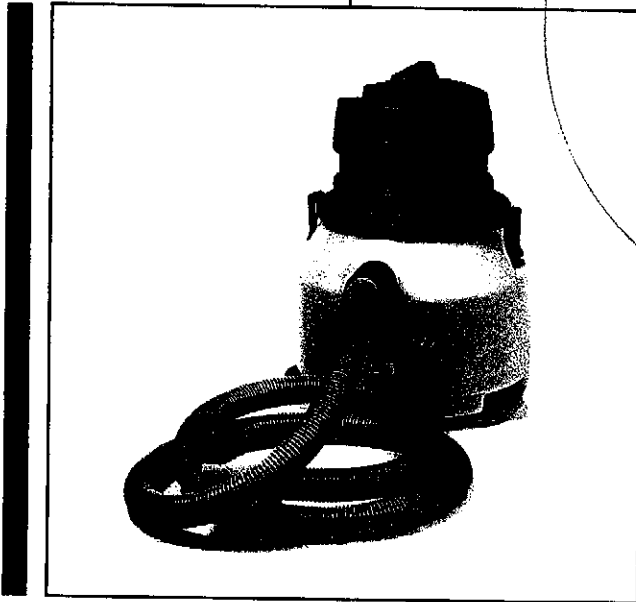


# WD5 5 Gallon Wet/Dry Vacuum

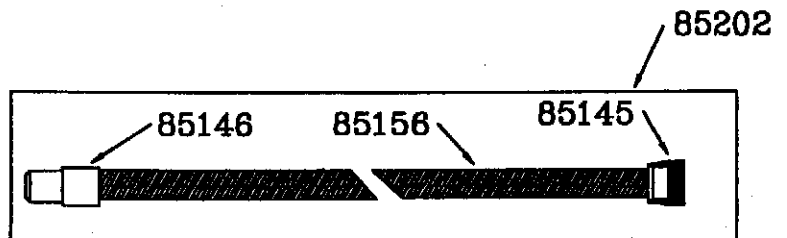
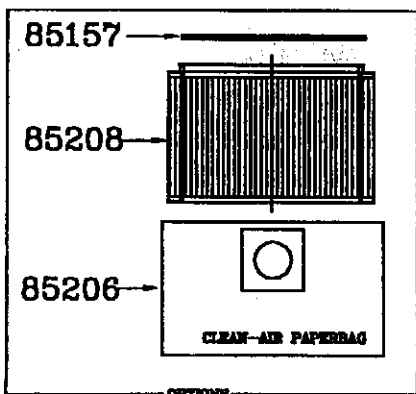
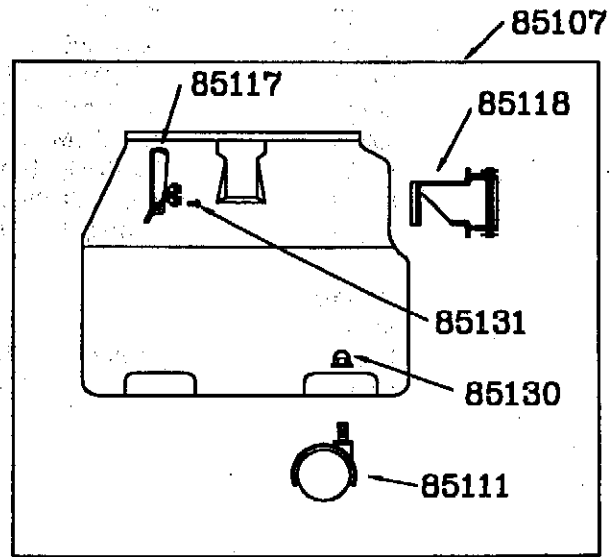
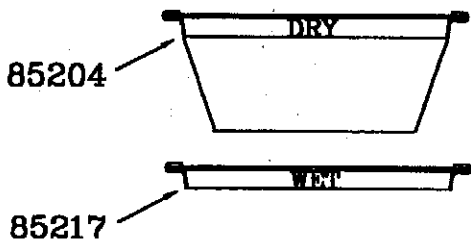
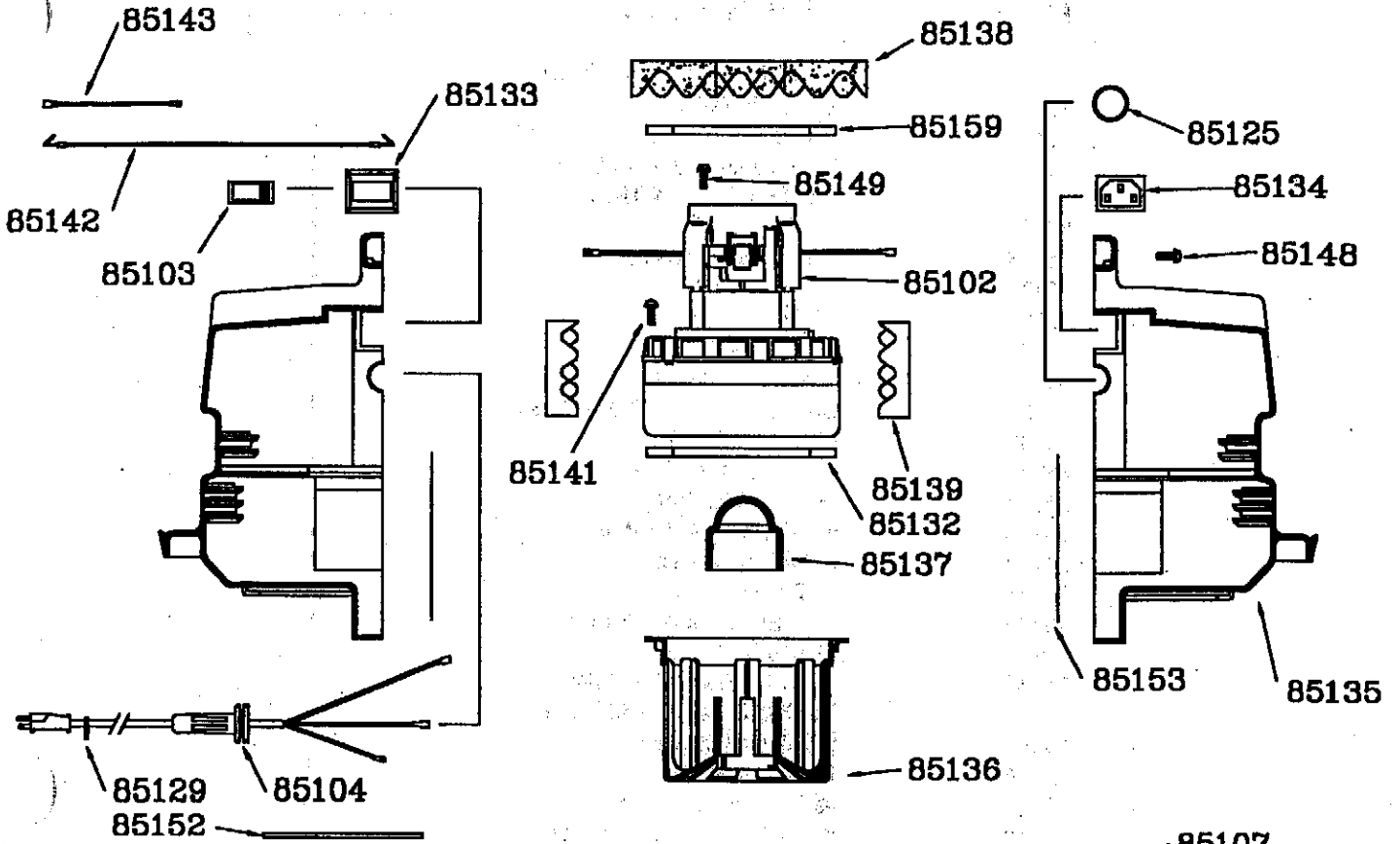
## Parts Schematic

Item #85004



**FLOOREQUIPMENTPARTS.COM**

Better Resources. Better Results.  
**BETCO®**



<b>ITEM</b>	<b>DESCRIPTION</b>	<b>QTY REQ</b>
85102	MOTOR SMALL BY-PASS	1
85103	ROCKER SWITCH	1
85104	CORD ASSEMBLY 16/3 X 50'	1
85107	5 GALLON TANK ASSEMBLY	1
85111	CASTER DUAL WHEEL	5
85117	TANK CLAMP	2
85118	INLET DEFLECTOR	1
85125	DOME PLUG	1
85129	CORD GRIP	1
85130	ACORN NUT	5
85131	#10 X 3/8 PHS HI-LO	4
85132	UNIVERSAL MOTOR GASKET	1
85133	SWITCH PLATE	1
85134	POWER OUTLET PLUG	1
85135	MOTOR HOUSING	2
85136	FILTER CAGE LARGE	1
85137	FLOAT SHUT OFF	1
85138	TOP FOAM DISK	1
85139	LOWER ACOUSTIC FOAM	8
85141	#10-16 X 1" PHS	2
85142	BLACK WIRE ASSEMBLY	1
85143	GROUND WIRE ASSEMBLY	1
85145	HOSE COUPLING	1
85146	1 1/2 HOSE CUFF	1
85148	#8 X 3/4 PHS HI-LO	12
85149	#10 X 3/8 PHS - GROUND	2
85152	JOGGER RING	1
85153	HOUSING GASKET	1
85156	1 1/2 VACUUM HOSE	1
85159	UPPER MOTOR GASKET	1
85202	VACUUM HOSE ASSEMBLY	1
85217	GASKET FILTER TX	1
85204	LARGE DRY FILTER	1
<b>OPTIONS</b>		
85208	LARGE HOSPITAL FILTER	1
85157	HOSPITAL FILTER CLAMP	1
85206	LARGE PAPER BAG - 10 PKG	1

MAY 2002