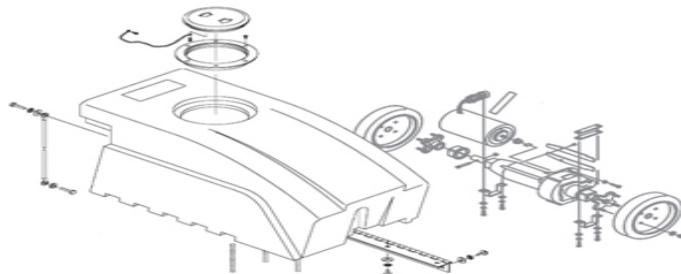
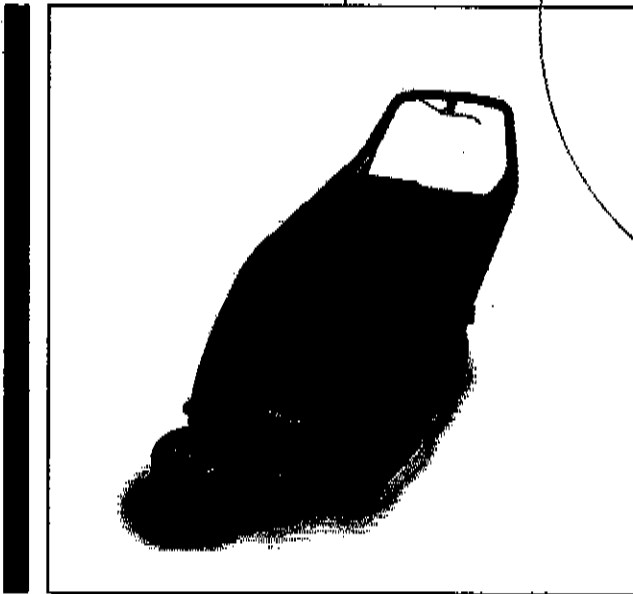


# BPS26 26" Battery Powered Sweeper

## Operator's Manual

Item #89002-00



**FLOOR EQUIPMENT PARTS.COM**

*Chemicals*  
*Equipment*  
*Programs*  
*Process*

**BETCO®**

# **BPS26 Battery Powered Sweeper**

## **Table of Contents**

Technical Information & Safety	Page 3
Unpacking	Page 4
Preparation	Page 5
Operation	Pages 6, 7, 8, 9
Maintenance & Troubleshooting	Pages 10, 11

## BPS26 Battery Powered Sweeper

### Technical Information

Cleaning Path	26"
Brush System	20" Main Brush 10" Side Brush (Overlapping)
Main Motor	.75 hp
Noise Level	70 dB
Filtration	Pleated filter panel (5 micron)
Airflow	250 cfm
Bin Capacity	1 cubic foot
Volts	12 volt system
Batteries	(2) 6 volt
Run Time	Approximately 4 hours
Length	56"
Width	26.5"
Height	29"
Weight	240 lbs (with batteries and charger)
Productivity	26,000 sq. ft. / hr.

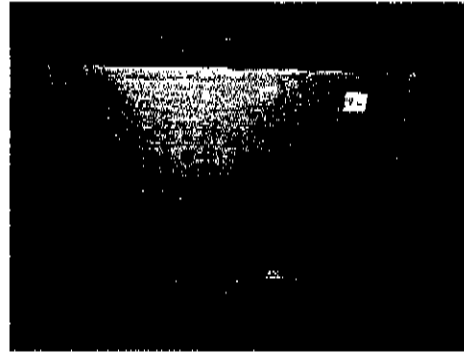
### General Safety Information

- Thoroughly read all labeling on machine. DO NOT remove or replace labels.
- Read operating instructions before operating machine or performing maintenance.
- Turn the machine off and always wear the proper personal protective equipment before performing maintenance or repairs.
- Do not use this machine for transportation.
- Do not use this machine for purposes other than intended.
- Do not use this to sweep up burning materials or toxic dust and debris.
- Do not place anything containing liquids on this machine.
- Always make sure working surface can support the weight of the machine.
- During operation always keep an appropriate safety distance from other people.
- Do not put any foreign object into openings. Do not use with any opening blocked; keep free of dust, lint, hair, & anything that may reduce airflow.
- Keep hair, loose clothing, fingers, & all parts of body away from openings & moving parts.
- Do not use in or around flammable or combustible liquids such as gasoline or use in areas where they may be present.

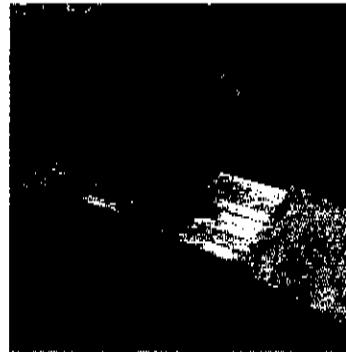
## **BPS26 Battery Powered Sweeper**

### **Unpacking**

- Inspect the shipping carton and report any damage immediately.
- Remove cardboard carton from pallet.



- Carefully remove the machine from the pallet.
- Check to make sure all major components are included:
  - (1) BPS26 Sweeper
  - (1) Battery Charger
  - (2) 6 Volt Batteries (Installed in machine).



## BPS26 Battery Powered Sweeper

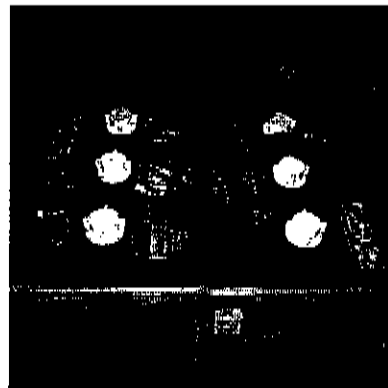
### Preparation

#### Battery Installation

- *NOTE - New machines are shipped with batteries factory installed.*
- Make sure the power button is in the off position.
- Remove the battery cover.



- Place both batteries in the machine as shown in the diagram.
- Connect the positive and negative cables as shown in the diagram.
- Replace the battery cover.



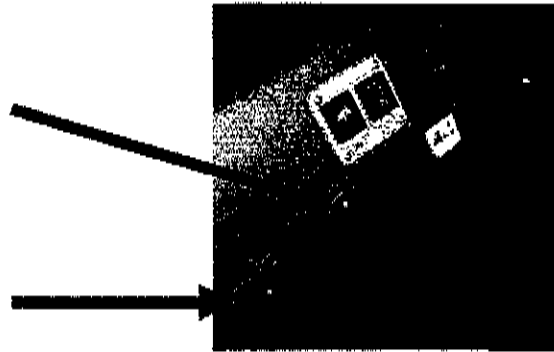
# BPS26 Battery Powered Sweeper

## Operation

### Control Functions

#### Airflow (suction)

- Flap adjustment to control airflow duct. Pull handle out to allow airflow, push handle in to turn airflow off.



#### Filter Shaker

- Manual control to shake (clean) the dust filter.

#### Side Brush Lever

- Pull lever out and lock down to disengage side brush assembly. Pull lever out and release to engage side brush assembly.



#### On/Off Switch

- Main power switch.

#### Battery Level Gauge

- Green light indicates adequate power.
- Red light indicates time to recharge.



#### Hour Meter

- Measures hours of usage.



#### Traction Drive Handle

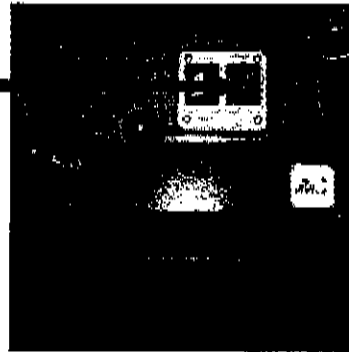
- Squeeze to engage traction drive system.

# BPS26 Battery Powered Sweeper

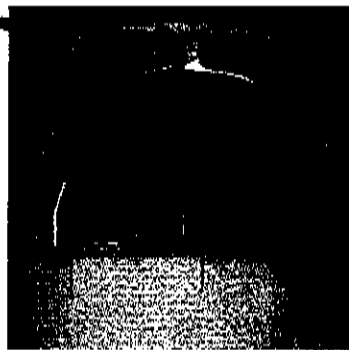
## Operation

### Start Up

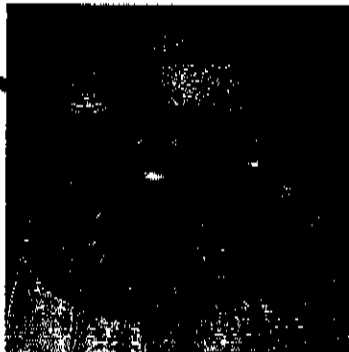
- Turn On/Off switch to the On position.



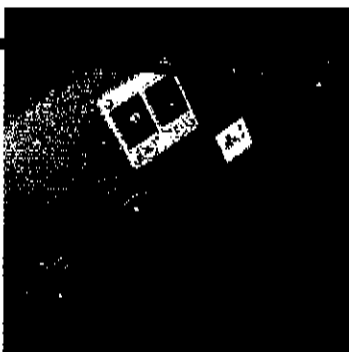
- To move forward engage the traction drive handle.
- To move backward release the traction drive handle and pull machine towards you.



- For edge cleaning utilize the side brush assembly.



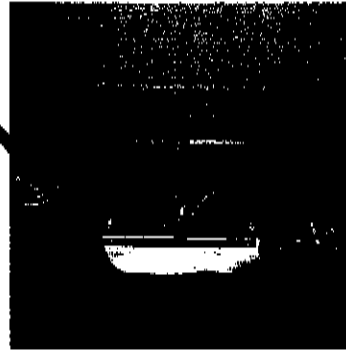
- To engage the side brush assembly pull the side brush lever out and release.
- To disengage pull the side brush lever out and lock down.



## BPS26 Battery Powered Sweeper

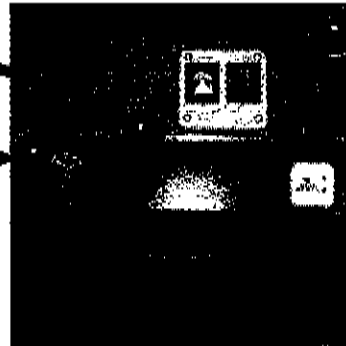
### Operation

- To pick up bulky debris press down on the handle to raise the front of the machine allowing the main brush to sweep it into the debris hopper.

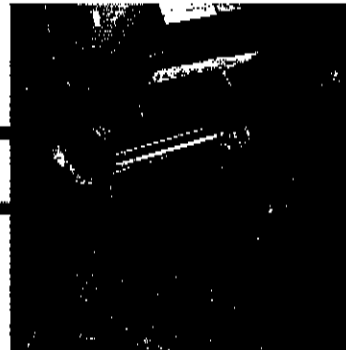


For efficient airflow the filter assembly should be cleaned approximately every 10 minutes.

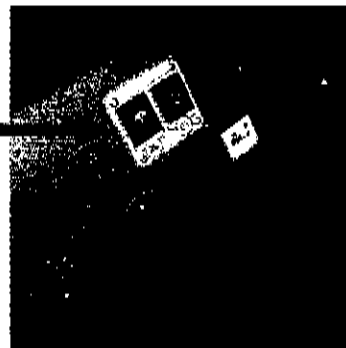
- Make sure the airflow handle is adjusted to the off position.
- Pull and release the filter shaker control several times.



- Periodically check and empty the debris bin.
- Release latches from each side.
- Pull the bin away from the machine.



- Frequently check the battery level gauge. A Green light indicates adequate power. A Red light indicates its time to recharge.



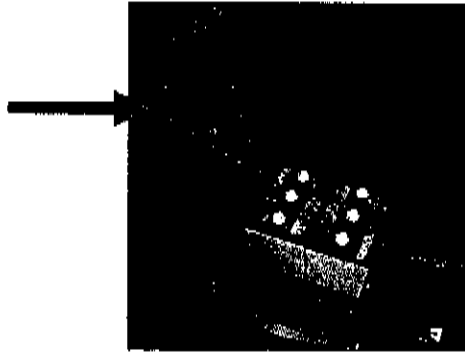


## BPS26 Battery Powered Sweeper

### Operation

#### Charging the batteries

- Remove the battery cover.
- Make sure the battery charger is properly plugged in.
- Connect the charger plug to the battery plug as shown in the diagram.
- To avoid permanent damage to the batteries never allow them to completely discharge.
- Approximate run time per charge is 3-4 hours.
- After charging is complete reconnect the battery plug to the machine plug.
- Close the battery cover.

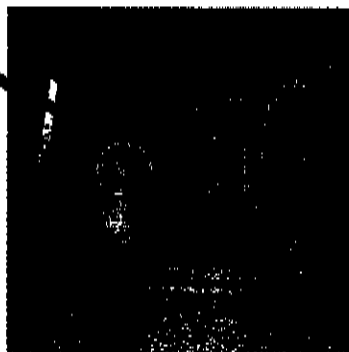
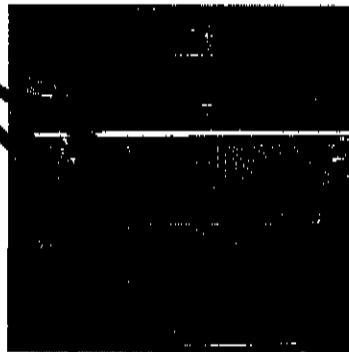
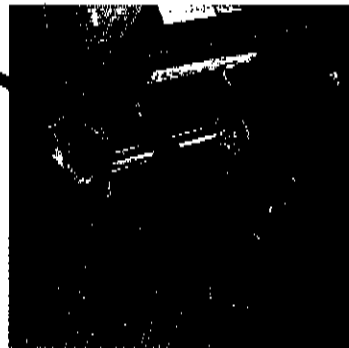
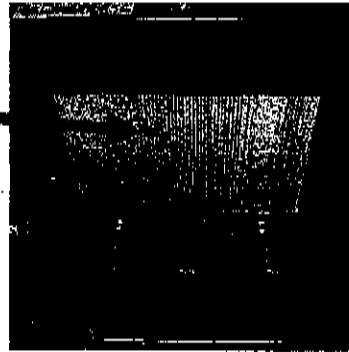


## BPS26 Battery Powered Sweeper

### Maintenance

#### Cleaning the filter

- The filter should be thoroughly cleaned at least once per week. More often if the application demands it.
- Remove the debris hopper.
- Lift the filter shaker lever and secure in the raised position with the provided pin. (The pin is attached to the shaker lever).
- Loosen the filter knobs and remove the filter assembly.
- Carefully vacuum the filter assembly and replace when done.

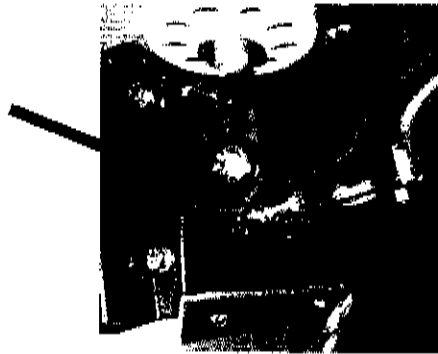


# BPS26 Battery Powered Sweeper

## Maintenance and Troubleshooting

### Adjusting the side brush

- Adjust the side brush height by turning the screw located on the brush bearing bracket. This is located directly behind the side brush assembly.



### Adjusting the main brush

- Adjust the brush height by turning the two screws (one is located on each side of the machine).

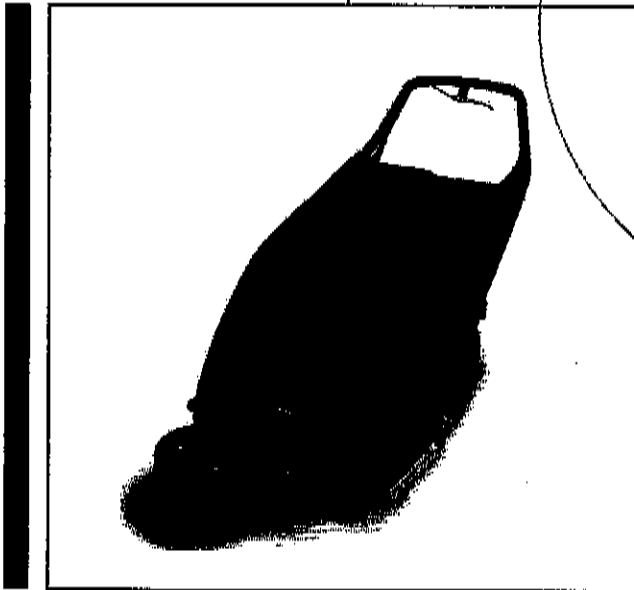


<b>Troubleshooting</b>	
Main brush does not clean properly	Brush is worn or misadjusted - Replace and/or adjust brush. Waste bin is full - Empty waste bin Brush belt is broken – Replace belt
Machine creates airborne dust while operating	Vacuum flaps are torn – Replace vacuum flaps The filter is clogged – Thoroughly clean the filter Front debris flap is torn – Replace front debris flap
Excessive noise from main broom	Debris trapped in main broom – Thoroughly clean the main broom

# BPS26 26" Battery Powered Sweeper

## Parts Schematic

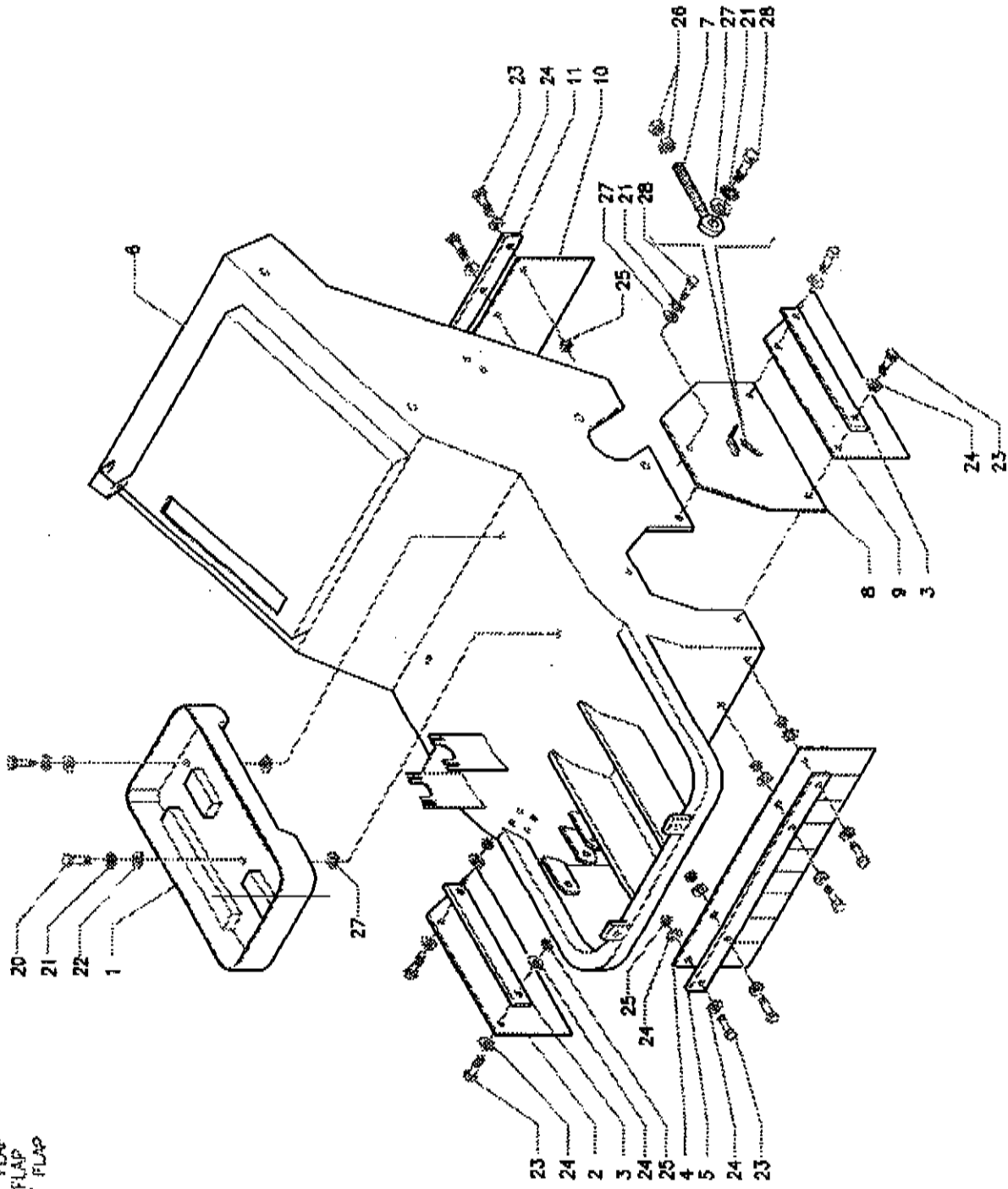
Item #89002-00



*Chemicals*  
*Equipment*  
*Programs*  
*Process*

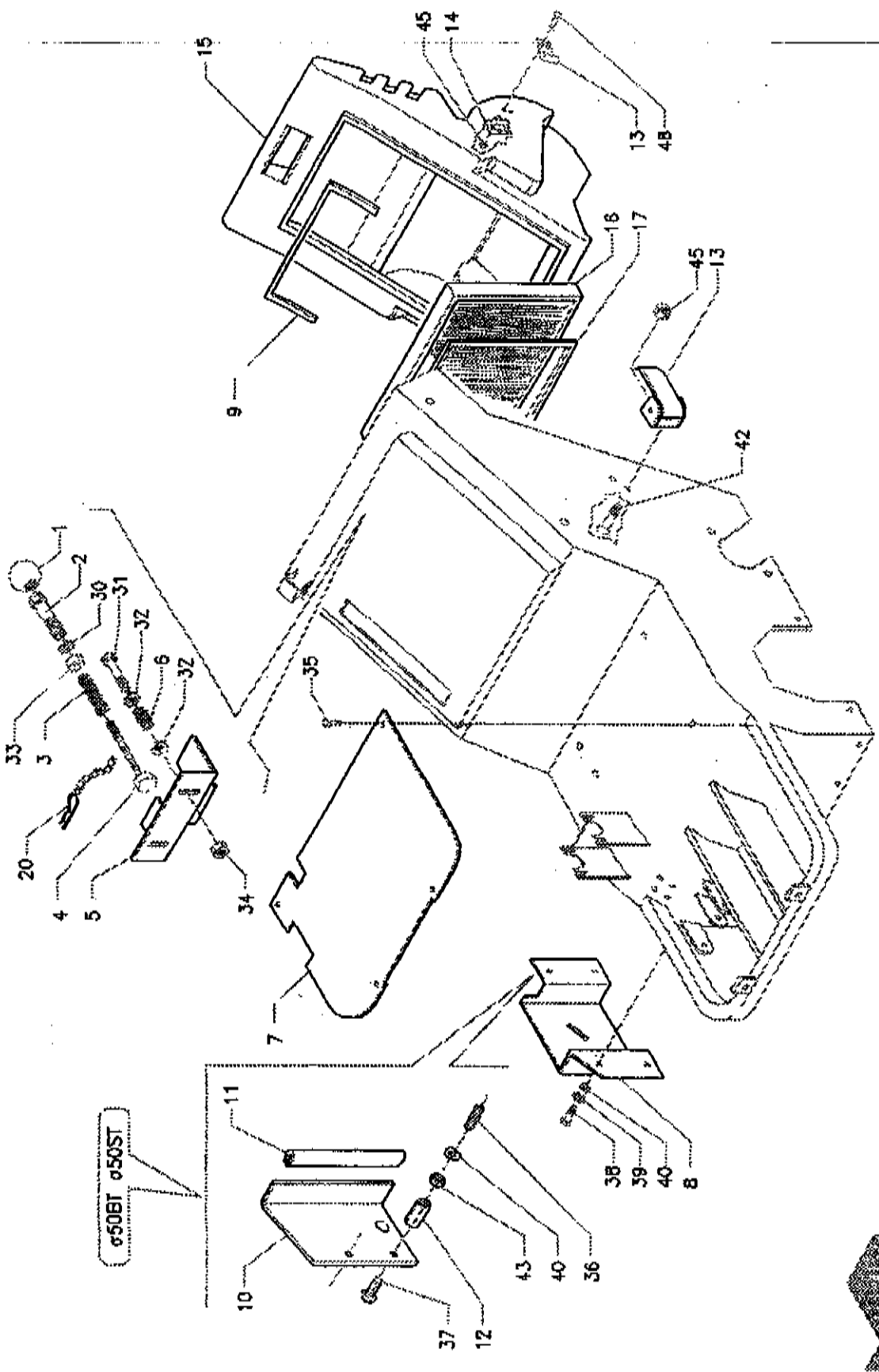
**BETCO**®

GRUPPO TELAIO / FLAP  
 FRAME ASSEMBLY / FLAP  
 GROUPE CHASSIS / FLAP  
 RAHMENGRUPPE / FLAP  
 GRUPPO BASTIDOR / FLAP



Pos.	Mod.	Codice	Denominazione	Q.tà	Denominazione	Description	Benennung	Description
1		R3816030	SOTTOFONDO BATTERIA	1	BASE	BASE	BASE	BASE
2		R3841150	GOMMA FISSA OX	1	RUBBER	CAOUTCHOUC	GUMMI	GOMA
3		R3841180	PREMIGOMMA FISSA LAT	2	BLADE	PLAQUETTE	LEISTE	LISTON
4		R3841120	GOMMA FLAP	1	RUBBER	CAOUTCHOUC	GUMMI	GOMA
5		R3841100	PREMIGOMMA FLAP	1	BLADE	PLAQUETTE	LEISTE	LISTON
6		E9888200	TELAIO	1	FRAME	CHASSIS	FAHRGESTELL	BASTIDOR
7		R3107030	TIRANTE REG. SPAZZ. CENTR.	2	TIE ROD	TIRANT	STANGE	VARILLA
8		R3818010	SUPPORTO TELAIO SX	1	SUPPORT	SUPPORT	LAGER	SOPORTE
9		R3841160	GOMMA FISSA SX	1	RUBBER	CAOUTCHOUC	GUMMI	GOMA
10		R3841130	GOMMA FISSA POST.	1	RUBBER	CAOUTCHOUC	GUMMI	GOMA
11		R3841140	PREMIGOMMA FISSA POST.	1	BLADE	PLAQUETTE	LEISTE	LISTON
20		-	VITE 6X20 UNI 5739	-	SCREW	VIS	SCHRAUBE	TORNILLO
21		-	ROSETTA M6 DIN 6796/A	-	WASHER	RONDELLE	SCHLEIBE	ARANDELA
22		-	ROSETTA M8X24 UNI 6592	-	WASHER	RONDELLE	SCHLEIBE	ARANDELA
23		-	VITE 6X16 UNI 5739	-	SCREW	VIS	SCHRAUBE	TORNILLO
24		-	ROSETTA M5 UNI 6592	-	WASHER	RONDELLE	SCHLEIBE	ARANDELA
25		-	DADO M5 AUT. UNI 7473	-	NUT	ECROU	MUTTER	TUERCA
26		-	DADO M6 UNI 5887	-	NUT	ECROU	MUTTER	TUERCA
27		-	ROSETTA M6 UNI 6592	-	WASHER	RONDELLE	SCHLEIBE	ARANDELA
28		-	VITE 6X16 UNI 5739	-	SCREW	VIS	SCHRAUBE	TORNILLO

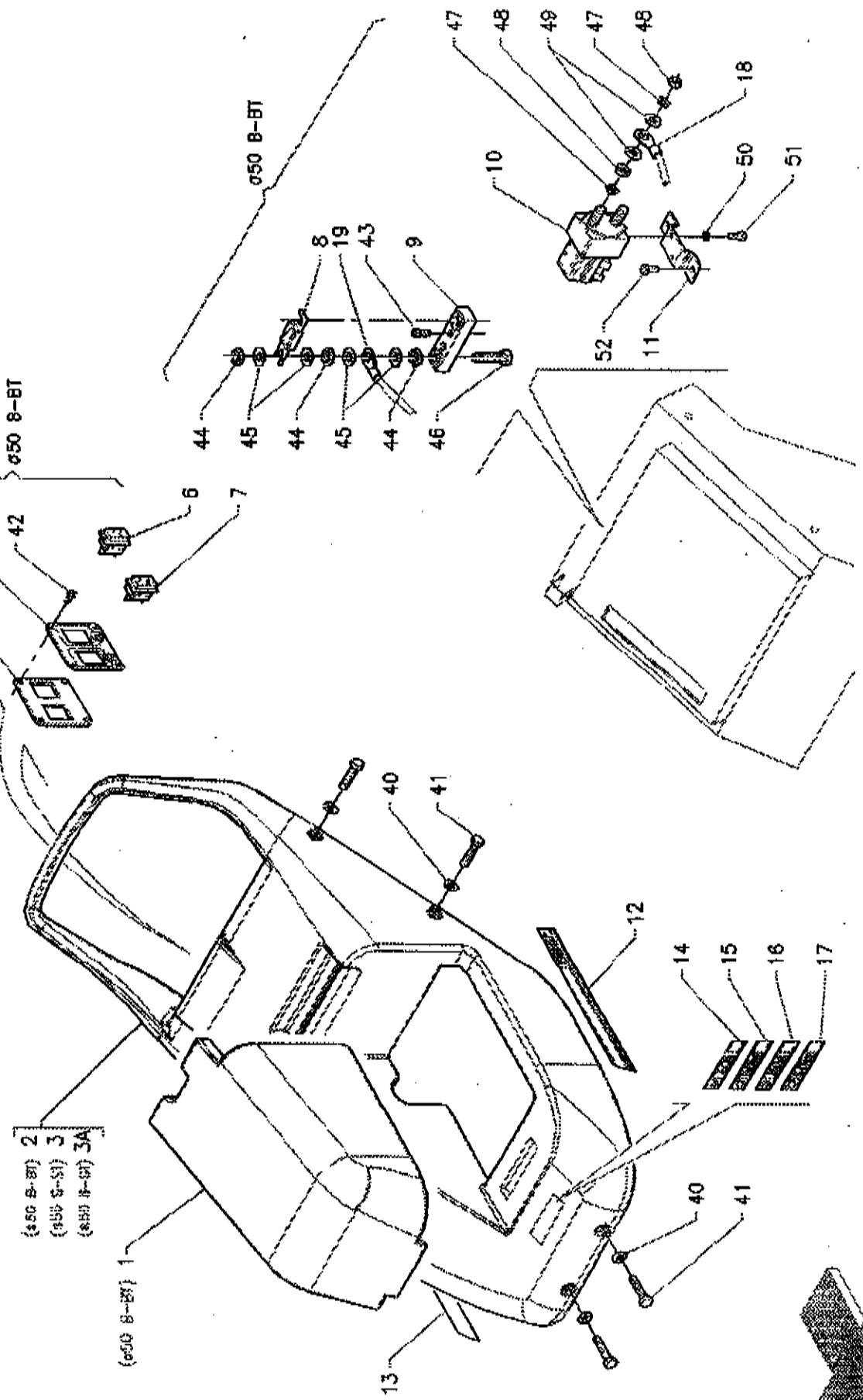
GRUPPO TELAIO / FILTRO  
 FRAME ASSEMBLY / FILTER  
 GROUPE CHASSIS / FILTRE  
 RAHMENGRUPPE / FILTER  
 GRUPO BASTIDOR / FILTRO



Pos.	Mod.	Codice	Q.tà	Denominazione	Denomination	Description	Benennung	Description
1		T4008001	1	POMELLO	KNOB	POIGNEE	KUGELGRIFF	POMO
2		R3158010	1	GUIDA PER SCIOTIFILTRO	GUIDE	GUIDE	HUND	GUIA
3		E9210120	1	MOLLA SCIOTIFILTRO	SPRING	RESSORT	FEDER	RESORTE
4		R3841050	1	SCIOTIFILTRO	FILTERSHAKER	VIBROSECOCQUEUR	FILTRUETTLE	SACUDIDOR DEL FILTRO
5		R3841030	1	STAFFA FILTRO	BRACKET	BRIDE	HALTER	SOPORTE
6		E9210080	2	MOLLA	SPRING	RESSORT	FEDER	RESORTE
7		R3818050	1	CHIUSURA ANTERIORE	COVER	PROTECTION	ABDECKUNG	CARTER
8		R3818090	1	SUPPORTO TELAIO DX	SUPPORT	SUPPORT	LAGER	SOPORTE
9		E7402230	1	GUARNIZIONE CASSETTO	GASKET	GARNITURE	DICHTUNG	JUNTA
10	87-87	R3848060	1	CARTER CINGHIA	COVER	CARTER	CARTER	CARTER
11		E7402220	1	PROFILO A "J"	PROFILE	PROFIL	PROFIL	PERFIL
12	87-87	T1010608	2	DADO DI PROLUNGAMENTO M8	NUT	ECROU	MUTTER	TUERCA
13		T4400001	2	GANCIO CASSETTO	HOOK	PINCE	HAKEN	GANCHO
14		R3841180	2	PIASTRINA CASSETTO	PLATE	PLAQUE	TELLER	PLACA
15		R3841200	1	CASSETTO	BOX	TIROIR	BEHAELTER	CAJON
16		E8500150	1	FILTRO ARIA	FILTER	FILTRE	FILTER	FILTRO
17		E7402310	1	GUARNIZIONE FILTRO	GASKET	GARNITURE	DICHTUNG	JUNTA
18		R0811020	1	CATENELLA CON SPILLO	CHAIN	CHAINE	KETTE	CADENA
19			1	ROSETTA M14 DIN 6798/A	WASHER	RONDELLE	SCHRAUBE	ARANDELA
20			1	VITE 8X35 UNI 6739	SCREW	VIS	SCHRAUBE	TORNILLO
21			1	ROSETTA M8 D18 UNI 6593	WASHER	RONDELLE	SCHRAUBE	ARANDELA
22			1	DADO M14X2 UNI 6589	NUT	ECROU	MUTTER	TUERCA
23			1	DADO M8 UNI 6587	NUT	ECROU	MUTTER	TUERCA
24			1	VITE AUT. 4.8X13	SCREW	VIS	SCHRAUBE	TORNILLO
25			1	GRANO M8X40 UNI 5923	DOWEL	VIS	MADENSCHRAUBE	TORNILLO
26			1	VITE M8X18 TBEI UNI ISO 7380	SCREW	VIS	SCHRAUBE	TORNILLO
27			1	VITE 8X20 UNI 5739	SCREW	VIS	SCHRAUBE	TORNILLO
28			1	ROSETTA M8 DIN 6795/A	WASHER	RONDELLE	SCHRAUBE	ARANDELA
29			1	ROSETTA M8 UNI 6592	WASHER	RONDELLE	SCHRAUBE	ARANDELA
30			1	VITE 3X8 UNI 6109	SCREW	VIS	SCHRAUBE	TORNILLO
31			1	DADO M8 UNI 6588	NUT	ECROU	MUTTER	TUERCA
32			1	DADO M3 AUT. UNI 7473	NUT	ECROU	MUTTER	TUERCA
33			1	VITE 3X16 UNI 6739	SCREW	VIS	SCHRAUBE	TORNILLO



GRUPPO CARROZZERIA - COMPONENTI ELETTRICI  
 BODY ASSEMBLY - ELECTRIC COMPONENTS  
 GROUPE CARROSSERIE - COMPOSANTS ELECTRIQUES  
 KAROSSENGRUPPE - ELEKTROTEILE  
 GRUPO CARROZGERIA - COMPONENTES ELECTRICOS

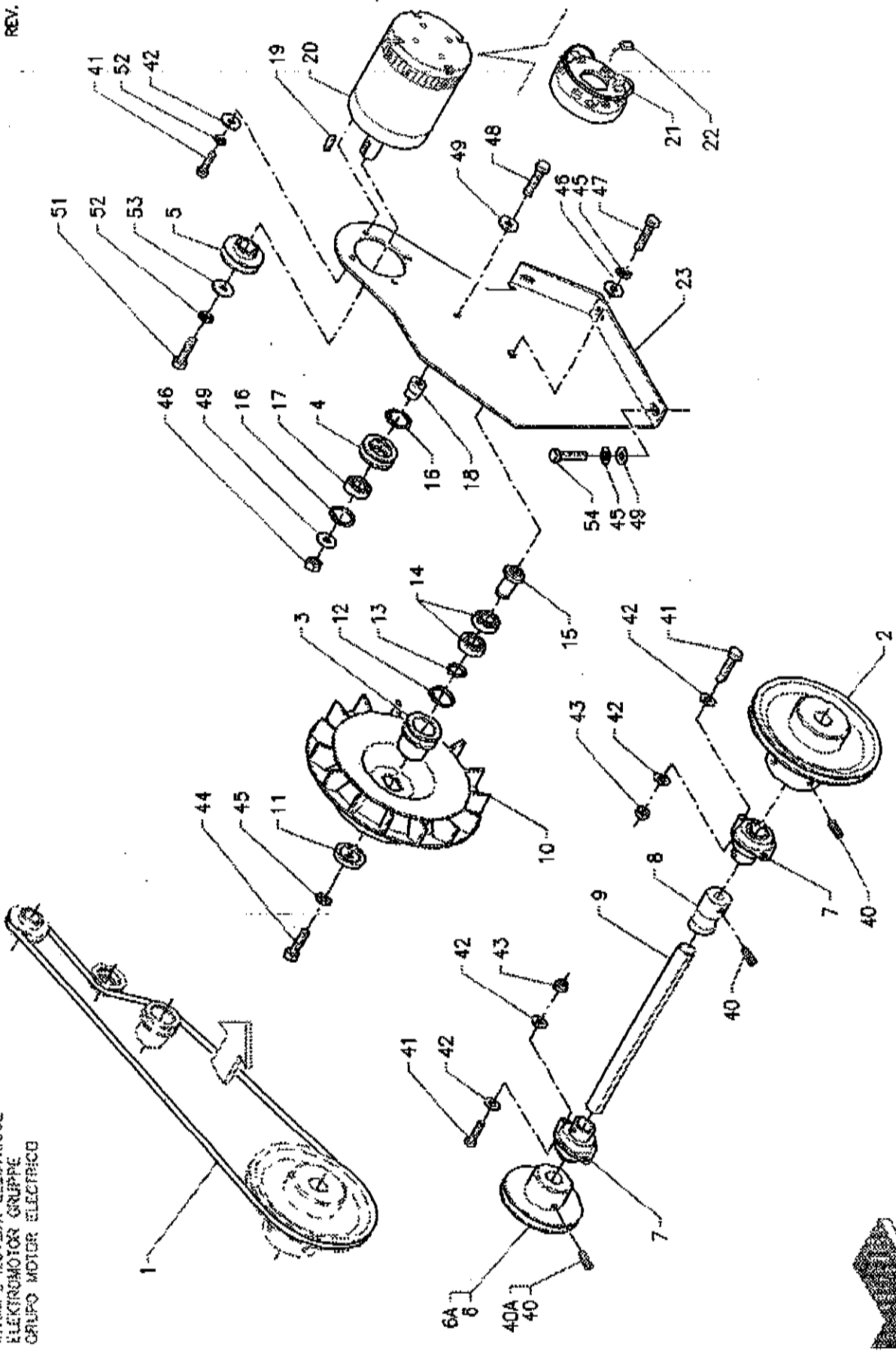


- (ø50 8-BT) 2
- (ø50 8-BT) 3
- (ø50 8-BT) 3A

Pos.	Mod.	Codice	Q.tà	Denominazione	Denominazione	Description	Benennung	Description
1	B-BT	R3846100	1	COPERCHIO BATTERIA	COVER	CARTER	SCHUTZ	CARTER
2	B-BT	R3846070	1	COFANO Ø 50 B-BT	BONNET Ø 50 B-BT	COUVERCLE Ø 50 B-BT	ABDECKHAUBE Ø 50 B-BT	TAPADERA Ø 50 B-BT
3	"	R3846060	1	COFANO Ø 50 S-ST	BONNET Ø 50 S-ST	COUVERCLE Ø 50 S-ST	ABDECKHAUBE Ø 50 S-ST	TAPADERA Ø 50 S-ST
3A	"	R3846150	1	COFANO Ø 50 S-ST	BONNET Ø 50 S-ST	COUVERCLE Ø 50 S-ST	ABDECKHAUBE Ø 50 S-ST	TAPADERA Ø 50 S-ST
4	B-BT	R3846110	1	PIASTRINA CRUSCOTTO	SHEET	TOLE	BLECH	CHAPA
5	B-BT	E8410318	1	ETICHETTA CRUSCOTTO	SWITCH	INTERRUPTEUR	SCHALTER	ETIQUETA
6	B-BT	T2102008	1	INT. BIP. LUM. VERDE 12V	INDICATOR	INDICATEUR	ANZEIGER	INTERRUPTOR
7	B-BT	T2300208	1	SPIA LIVELLO BATTERIA	FUSE	FUSIBLE	SICHERUNG	SEGNAL
8	B-BT	T2408001	1	FUSIBILE LAMELLARE 80A	FUSEHOLDER	PORTE-FUSIBLE	SICHERUNGSHALTER	FUSIBLE
9	B-BT	T2400004	1	PORTAFUSIBILE	REMOTE CONTROL SWITCH	TELEMOTEUR	FERNSTEUER	PORTAFUSIBLE
10	B-BT	E8410003	1	TELERUTTORE	SUPPORT	ATTACHE	HALTERUNG	CONTROL REMOTO
11	B-BT	T2906004	1	STAFFA TELERUTTORE	LABEL	ETIQUETTE	SCHILD	SOPORTE FIADOR
12		E8410004	1	ETICHETTA SX	LABEL	ETIQUETTE	SCHILD	ETIQUETA
13		E8410003	1	ETICHETTA DX	LABEL	ETIQUETTE	SCHILD	ETIQUETA
14	B	E8410118	1	ETICHETTA Ø 50 B	LABEL	ETIQUETTE	SCHILD	ETIQUETA
15	BT	E8410320	1	ETICHETTA Ø 50 BT	LABEL	ETIQUETTE	SCHILD	ETIQUETA
16	B	E8410117	1	ETICHETTA Ø 50 S	LABEL	ETIQUETTE	SCHILD	ETIQUETA
17	ST	E8410321	1	ETICHETTA Ø 50 ST	LABEL	ETIQUETTE	SCHILD	ETIQUETA
18		T3020003	1	CAPOCORDA D. 8,4	CONTACT	CONTACT	KONTAKT	ETIQUETA
19		T3020006	1	CAPOCORDA D. 10,5	CONTACT	CONTACT	KONTAKT	CONTACTO
40		-	1	ROSETTA Ø 6X24 UNI 6863	WASHER	RONDELLE	SCHIBE	ARANDELA
41		-	-	VITE M6X60 TE UNI 5738	SCREW	VIS	SCHRAUBE	TORNILLO
42		-	-	VITE Ø 4,2X13 TCTC AUTOFIL	SCREW	VIS	SCHRAUBE	TORNILLO
43		-	-	VITE Ø 4,8X25 TCTC AUTOFIL	SCREW	VIS	SCHRAUBE	TORNILLO
44		-	-	DADO M10 UNI 6889	NUT	ECROU	MUTTER	TUERCA
45		-	-	RONDELLA Ø 10X21 OTTONE	WASHER	RONDELLE	SCHIBE	ARANDELA
46		-	-	VITE M10X40 TE UNI 5738	SCREW	VIS	SCHRAUBE	TORNILLO
47		-	-	ROSETTA Ø 8 GROWER UNI 1751	WASHER	RONDELLE	SCHIBE	ARANDELA
48		-	-	DADO M8 UNI 6888	NUT	ECROU	MUTTER	TUERCA
49		-	-	RONDELLA Ø 8X17 OTTONE	WASHER	RONDELLE	SCHIBE	ARANDELA
50		-	-	ROSETTA Ø 4 GROWER UNI 1751	WASHER	RONDELLE	SCHIBE	ARANDELA
51		-	-	VITE M4X6 TCTC UNI 7887	SCREW	VIS	SCHRAUBE	TORNILLO
52		-	-	VITE Ø 4,8X13 TCTC UNI 6864	SCREW	VIS	SCHRAUBE	TORNILLO

\* = MOTORE TECUMSEH

\*\* = MOTORE HONDA



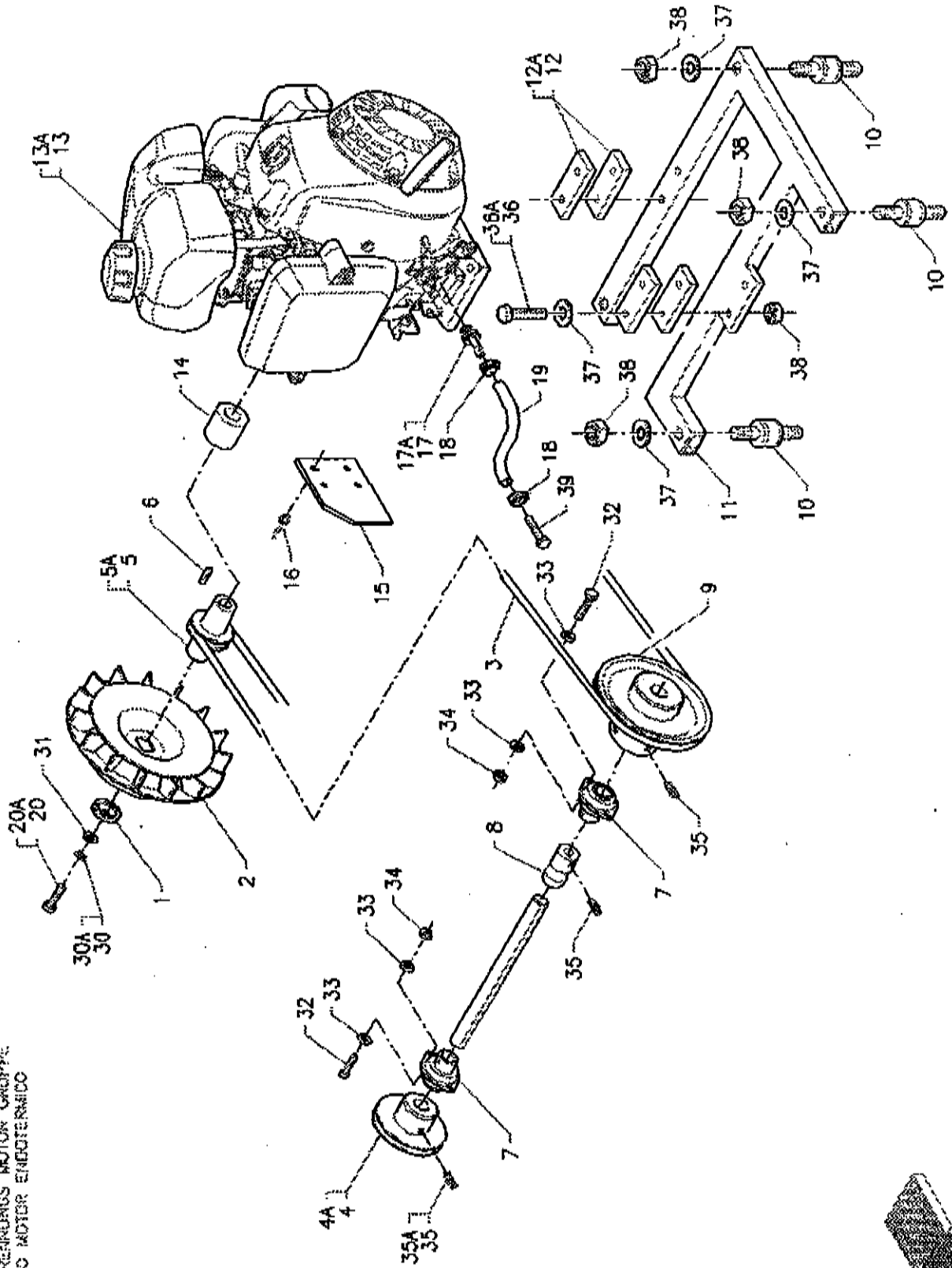
GRUPPO MOTORE ELETTRICO  
ELECTRICAL ENGINE ASSEMBLY  
GRUPE MOTEUR ELECTRIQUE  
ELEKTROMOTOR GRUPPE  
GRUPO MOTOR ELECTRICO



Pos.	Mod.	Codice	Q.tà	Denominazione	Denomination	Description	Benennung	Description
1		T0150010	1	CINGHIA Ø 8X1088	BELT	COURROIE	RIEMEN	CORREA
2		E9431030	1	PULEGGIA	PULLEY	POULIE	RIEMENSCHLEIBE	POLEA
3		E9431060	1	PULEGGIA PORTA VENTOLA	PULLEY	POULIE	RIEMENSCHLEIBE	POLEA
4		E9440060	1	PULEGGIA TENDICINGHIA	PULLEY	POULIE	RIEMENSCHLEIBE	POLEA
5		E9410310	1	PULEGGIA MOTORE	PULLEY	POULIE	RIEMENSCHLEIBE	POLEA
6	B	E9438040	1	PULEGGIA	PULLEY	POULIE	RIEMENSCHLEIBE	POLEA
6A		E9440060	1	PULEGGIA	PULLEY	POULIE	RIEMENSCHLEIBE	POLEA
7	BT	T0541701	2	SUPPORTO BPFL 203 2	SUPPORT	SUPPORT	HALTERUNG	SOPORTE
8		E9438030	1	PULEGGIA SPAZZOLA LAT.	PULLEY	POULIE	RIEMENSCHLEIBE	POLEA
9		R3117040	1	ALBERO RINVIO	SHAFT	ARBRE	WELLE	EJE
10		T0410001	1	VENTOLA	FAN	VENTILATEUR	VENTILADOR	VENTILADOR
11		R3141180	1	RONDELLA	WASHER	RONDELLE	SCHLEIBE	ARANDELA
12		T0210002	1	SEEGER 1 35	SEEGER RING	SERRE CLIPS	SEEGERRING	ANILLO SEEGER
13		T0220001	1	SEEGER E 15	SEEGER RING	SERRE CLIPS	SEEGERRING	ANILLO SEEGER
14		T0511502	2	CUSCINETTO 6202-2RS1	BEARING	ROULEMENT	LAGER	COJINETE
15		R3941210	1	PERNO	PIN	AXE	BOLZEN	PERNO
16		T0210001	2	SEEGER 1 32	SEEGER RING	SERRE CLIPS	SEEGERRING	ANILLO SEEGER
17		T0511501	1	CUSCINETTO 6002-2RS1	BEARING	ROULEMENT	LAGER	COJINETE
18		R3817050	1	PERNO	PIN	AXE	BOLZEN	PERNO
19		T0408051	1	LINGUETTA 8X8X20	TONGUE	LANGUETTE	PASSFEDER	CLAVETA
20		E8210120	1	MOTORE	MOTOR	MOTEUR	MOTOR	MOTOR
21		T1707142	2	SPAZZOLA MOTORE	CARBON BRUSH MOTOR	CHARBON MOTEUR	KOHLEBÜRSTE	ESCOBILLA MOTOR
22		T1700002	1	PORTASPZZOLE	CARBON BRUSH HOLDER	PORTE-CHARBON	KOHLEBÜRSTHALTERUNG	PORTAESCOBILLAS
23		R3817040	1	PIASTRA SUPPORTO MOTORE	PLATE	PLAQUE	TELLER	PLACA
40	B	-	-	GRANO M8X10 UNI 5929	DOWEL	VIS	MADENSCHRAUBE	TORNILLO
41	BT	-	-	VITE M8X20 TE UNI 5739	DOWEL	VIS	MADENSCHRAUBE	TORNILLO
42		-	-	RONDELLA Ø 6X12 UNI 6582	WASHER	VIS	SCHLEIBE	TORNILLO
43		-	-	DADO M8 AUTOBL UNI 7473	NUT	ECROU	MUTTER	TUERCA
44		-	-	VITE M8X20 TE UNI 5739	SCREW	VIS	SCHRAUBE	TORNILLO
45		-	-	RONDELLA Ø 8 DENT.	WASHER	RONDELLE	SCHLEIBE	TORNILLO
46		-	-	RONDELLA Ø 8X24 UNI 6562	WASHER	RONDELLE	SCHLEIBE	TORNILLO
47		-	-	VITE M8X16 TE UNI 5739	SCREW	VIS	SCHRAUBE	TORNILLO
48		-	-	RONDELLA Ø 8X17 UNI 6562	WASHER	RONDELLE	SCHLEIBE	TORNILLO
49		-	-	DADO M8 AUTOBL UNI 7473	NUT	ECROU	MUTTER	TUERCA
50		-	-	VITE M8X16 TE UNI 5739	SCREW	VIS	SCHRAUBE	TORNILLO
51		-	-	RONDELLA Ø 6 DENT.	WASHER	RONDELLE	SCHLEIBE	TORNILLO
52		-	-	RONDELLA Ø 6X18 UNI 6582	WASHER	RONDELLE	SCHLEIBE	TORNILLO
53		-	-	VITE M8X20 TE UNI 5739	SCREW	VIS	SCHRAUBE	TORNILLO
54		-	-					

04A

REV. 0



GRUPPO MOTORE ENDOTERMICO  
ENDOTHERMIC ENGINE ASSEMBLY  
GRUPE MOTEUR ENDOTHERMIQUE  
YERKREMLINGS MOTOR GRUPE  
GRUPO MOTOR ENDOTERMICO



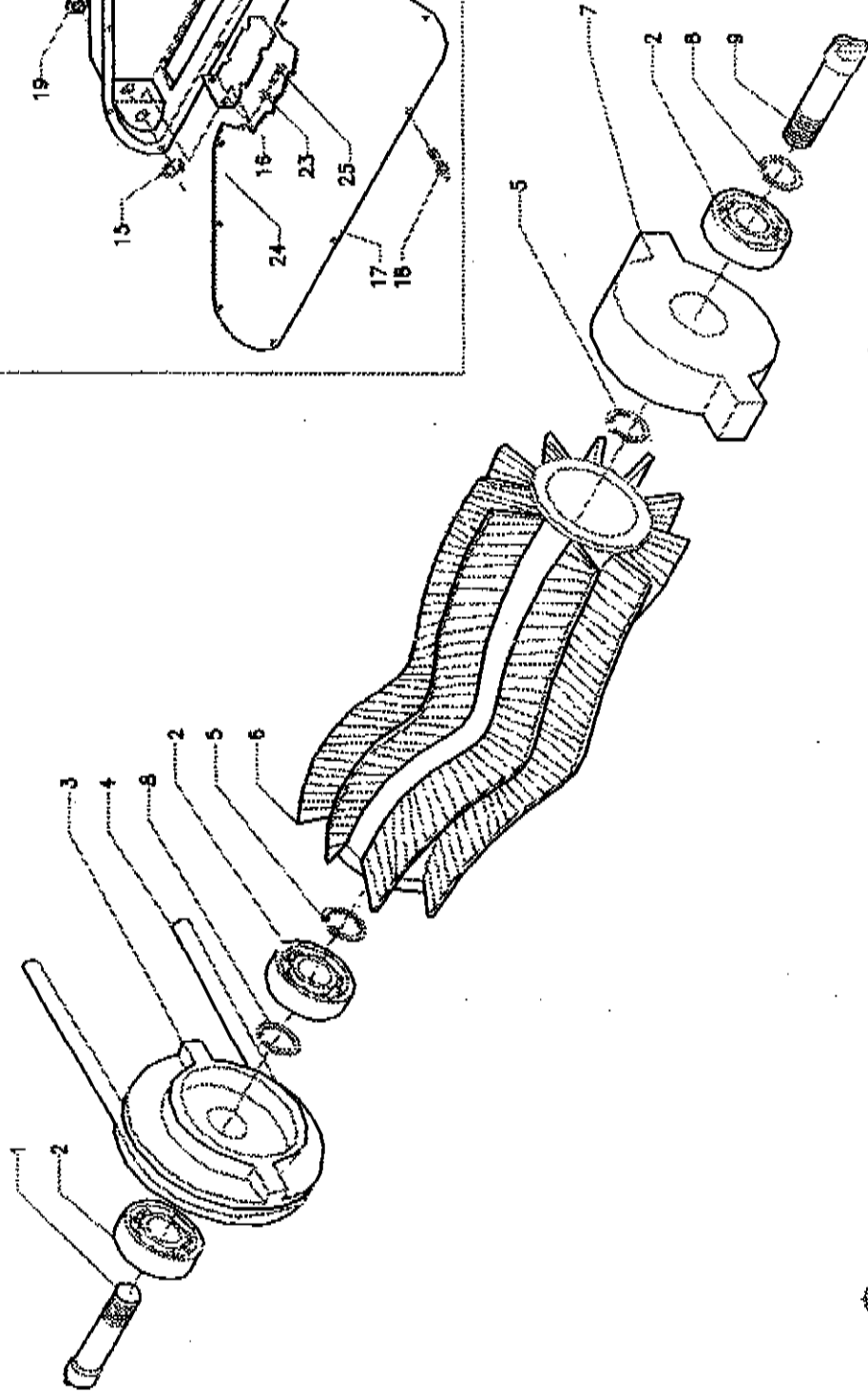
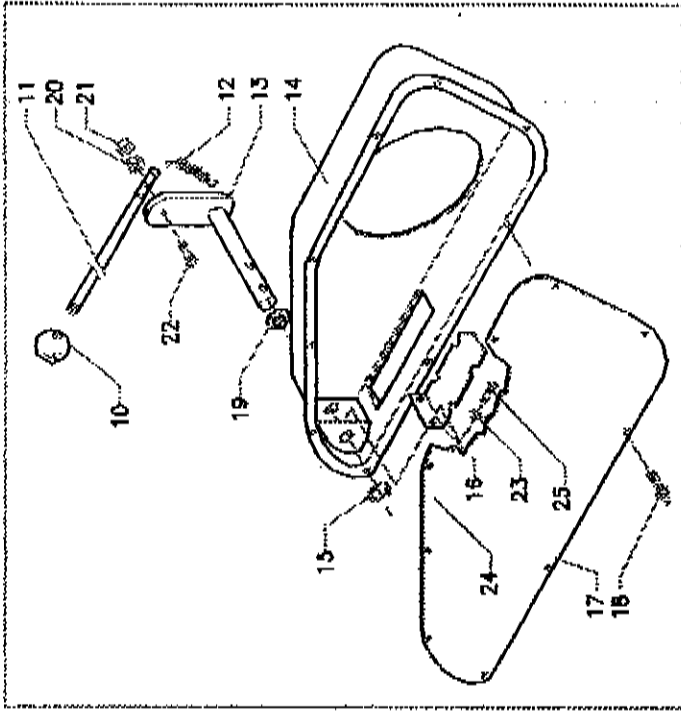
04A REV. 0

Pos.	Mod.	Codice	Q.tà	Denominazione	Denominazione	Description	Benennung	Description
1		R3141190	1	RONDELLA	WASHER	RONDELLE	SCHLEIBE	ARANDELA
2		T5410001	1	VENTOLA	FAN	VENTILATEUR	VENTILATOR	VENTILADOR
3		T0150002	1	GINGHIA Ø 10X700	BELT	COUROIE	RIEMEN	CORREA
4	S	E9438040	1	PULEGGIA	PULLEY	POULIE	RIEMENSCHLEIBE	POLEA
4A	ST	E9440080	1	PULEGGIA	PULLEY	POULIE	RIEMENSCHLEIBE	POLEA
5	*	E9432020	1	PULEGGIA MOTORE	PULLEY	POULIE	RIEMENSCHLEIBE	POLEA
5A	**	E9410870	1	PULEGGIA MOTORE	PULLEY	POULIE	RIEMENSCHLEIBE	POLEA
6		T0400001	1	LINGUETTA MOTORE	TONGUE	LANGUETTE	PASSFEDER	CLAVETA
7		T0541701	2	SUPPORTO BIPOL 203.2	SUPPORT	SUPPORT	HALTERUNG	SOPORTE
8		E9438030	1	SUPPORTO BIPOL 203.2	PULLEY	POULIE	RIEMENSCHLEIBE	POLEA
9		E9431030	1	PULEGGIA	PULLEY	POULIE	RIEMENSCHLEIBE	POLEA
10		E8796010	4	ANTIVIBRANTE	VIBRATION-DAMPING	ANTIVIBRATOIRE	SCHWINGUNGSDAEMPFEND	ANTIVIBRADOR
11		R3816060	1	SUPPORTO	SUPPORT	SUPPORT	HALTERUNG	SOPORTE
12	*	R3230110	2	DISTANZIALE	SPACER	ENTRETOISE	DISTANZHÖLSE	DISTANCIADOR
12A	**	R3230110	4	DISTANZIALE	SPACER	ENTRETOISE	DISTANZHÖLSE	DISTANCIADOR
13	*	E8290008	1	MOTORE TECUMSEH	MOTOR	MOTEUR	MOTOR	MOTOR
13A	**	E9038010	1	MOTORE HONDA	MOTOR	MOTEUR	MOTOR	MOTOR
14	*	R3857010	1	DISTANZIALE	SPACER	ENTRETOISE	DISTANZHÖLSE	DISTANCIADOR
15	**	T1400002	1	DEFLETTORE TUBO MARMITTA	BAFFLE	DEFLECTEUR	ABWEISER	DESVIADOR
16	**	T1400002	4	RIVETTO	RIVET	RIVET	SCHRAUBE	RIVET
17	*	T450001	1	PORTAGOMMA	CONNECTOR	RACCORD	SCHLAUCHANSCHLUSS	EMPALME TUBO DE GOMA
17A	**	T4540008	1	PORTAGOMMA	CONNECTOR	RACCORD	SCHLAUCHANSCHLUSS	EMPALME TUBO DE GOMA
18		T4220006	2	FASCETTA A VITE 11-17	CLAMP	COLLIER	SCHLAUCHANSCHLUSS	EMPALME TUBO DE GOMA
19		E7810340	1	TUBO VITREO Ø 10X450	PIPE	TUYAU	ROHR	TUBO
20	*	T0810004	1	VITE TE SPECIALE	SCREW	VIS	SCHRAUBE	TORNILLO
20A	**	T0810832	1	VITE TE SPECIALE	SCREW	VIS	SCHRAUBE	TORNILLO
30	*		-	RONDELLA Ø 8 GROWER	WASHER	RONDELLE	SCHLEIBE	TORNILLO
30A	**		-	RONDELLA Ø 6 GROWER	WASHER	RONDELLE	SCHLEIBE	ARANDELA
31	*		-	RONDELLA Ø 8X18 UNI 6882	WASHER	RONDELLE	SCHLEIBE	ARANDELA
32	*		-	VITE M8X20 TE UNI 5739	SCREW	VIS	SCHRAUBE	TORNILLO
33	*		-	RONDELLA Ø 8X12 UNI 6892	WASHER	RONDELLE	SCHLEIBE	TORNILLO
34	*		-	DADO M8 AUTOBL UNI 7473	NUT	ECROU	MUTTER	ARANDELA
35	S		-	GRANO M8X10 UNI 5929	DOWEL	VIS	MADENSCHRAUBE	TORNILLO
35A	ST		-	GRANO M8X16 UNI 5929	DOWEL	VIS	MADENSCHRAUBE	TORNILLO
36	*		-	VITE M8X45 TE UNI 5739	SCREW	VIS	SCHRAUBE	TORNILLO
36A	**		-	VITE M8X35 TE UNI 5739	SCREW	VIS	SCHRAUBE	TORNILLO
37	*		-	RONDELLA Ø 8X17 UNI 6892	WASHER	RONDELLE	SCHLEIBE	ARANDELA
38	*		-	DADO M8 AUTOBL UNI 7474	NUT	ECROU	MUTTER	TUERCA
39	*		-	VITE M10X25 TE UNI 5739	SCREW	VIS	SCHRAUBE	TORNILLO

\* = MOTORE TECUMSEH  
 \*\* = MOTORE HONDA

GRUPPO SPAZZOLA CENTRALE  
 CENTRAL BRUSH ASSEMBLY  
 GROUPE BROSSE CENTRALE  
 ZENTRALBORSTENGRUPPE  
 GRUPO CEPILLO CENTRAL

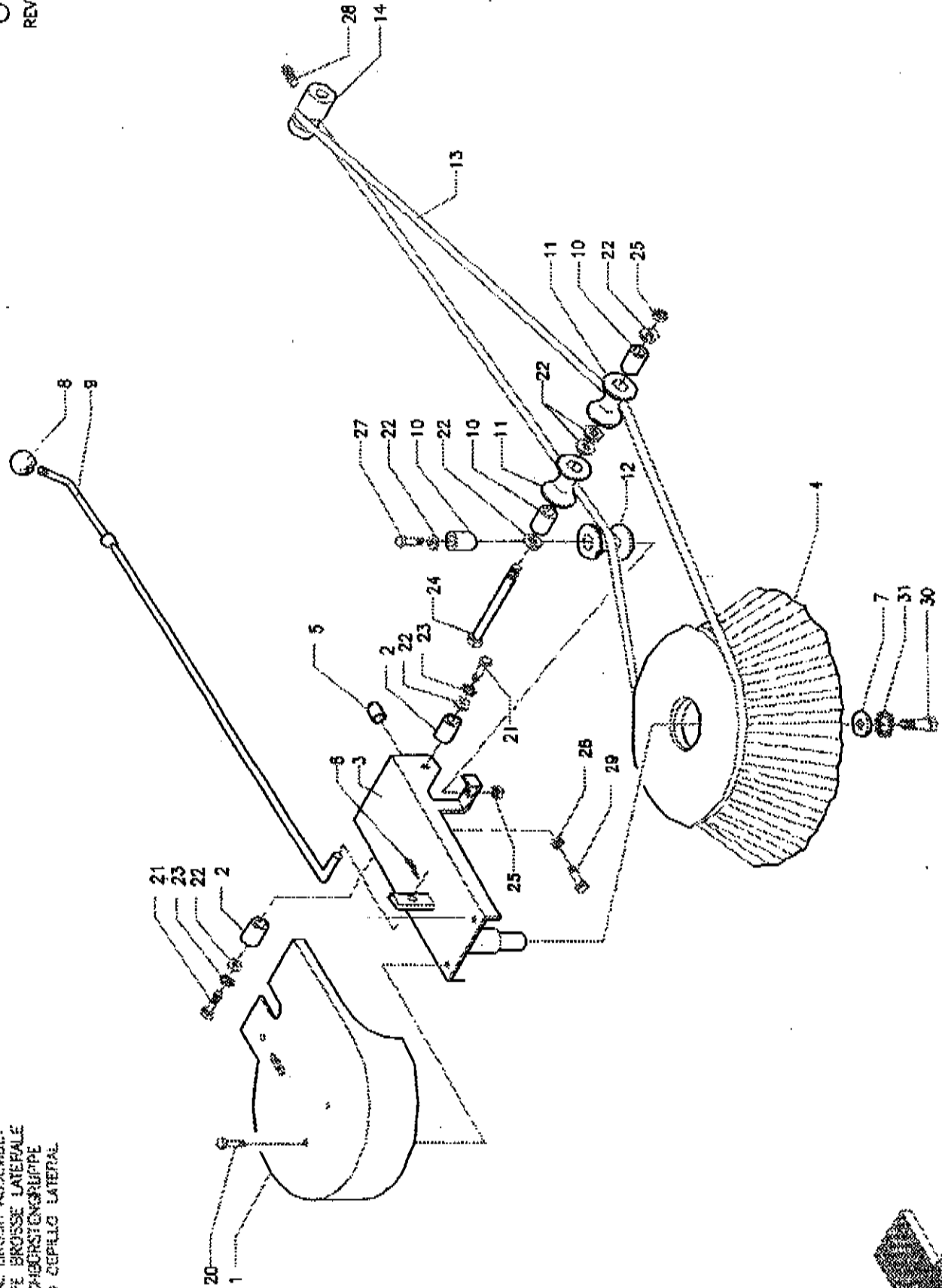
05  
 REV. 0



Pos.	Mod.	Codice	Q.tà	Denominazione	Denominazione	Description	Benennung	Description
1		R3807010	1	PERNO SPAZZOLA DX	PIN	PIVOT	BOLZEN	EJE
2		T0511601	3	CUSCINETTO	BEARING	COUSINET	LAGER	COJNETE
3		E9491060	1	PULEGG.TRASC. SPAZZ. CENTR	PULLEY	POULIE	RIEMENSCHLEIBE	POLEA
4		T0150004	1	CINGHIA	BELT	COURROIE	RIEMEN	CORREA
5		T0220001	2	ANELLO EST. 15	RING	BAGUE	RING	ANILLO
6		E8831010	1	SPAZZOLA CENTRALE	BRUSH	BROSSE	BURSTE	CEPILLO
7		R3197010	1	PORTASPAZZOLA CENTRALE	BRUSH HOLDER	PORTE-BROSSE	BURSTENHALTER	PORTA-CEPILLO
8		T0210001	2	ANELLO INT. 32	RING	BAGUE	RING	ANILLO
9		R3807020	1	PERNO SPAZZOLA SX	PIN	PIVOT	BOLZEN	EJE
10		T4008001	1	POMELLO	KNOB	POIGNEE	KUGELGRIFF	POMO
11		R3841110	1	MANETTA DI CHIUSURA	HANDLE	MEMOTTES	HANDSCHELLE	MANETA
12		E9220150	1	MOLLA	SPRING	RESSORT	FEDER	RESORTE
13		R3841060	1	PERNO CHIUSURA	PIN	PIVOT	BOLZEN	EJE
14		R3841021	1	CORPO CONVOGLIATORE ARIA	CONVEYOR	CONVOYEUR	KUHLERHAUBE	CONVOYADOR
15		T0220003	1	ANELLO EST. 17	RING	BAGUE	RING	ANILLO
16		R3841060	1	CHRISURA ASPIRATORE	DOOR	PORTE	TUR	PORTILLO
17		R3841022	1	COPERCHIO CONVOGL.	COVER	COUVERCLE	DECKEL	TAPA
18		T1400001	9	RIVETTO 6.4X19 NYLON	RIVET	RIVET	SCHRAUBE	RMET
19		T1115001	1	ROSETTA 18X30X3 NYLON	WASHER	RONDELLE	SCHLEIBE	ARANDELA
20		-	-	DADO M8 UNI 5887	NUT	ECROU	MUTTER	TUERCA
21		-	-	DADO M5 AUT. UNI 7473	NUT	ECROU	MUTTER	TUERCA
22		-	-	VITE 5X25 UNI 5738	SCREW	VIS	SCHRAUBE	TORNILLO
23		-	-	ROSETTA M4 UNI 6992	WASHER	RONDELLE	SCHLEIBE	ARANDELA
24		-	-	ROSETTA M4 DIN 6798/A	WASHER	RONDELLE	SCHLEIBE	ARANDELA
25		-	-	VITE 4X16 UNI 5738	SCREW	VIS	SCHRAUBE	TORNILLO



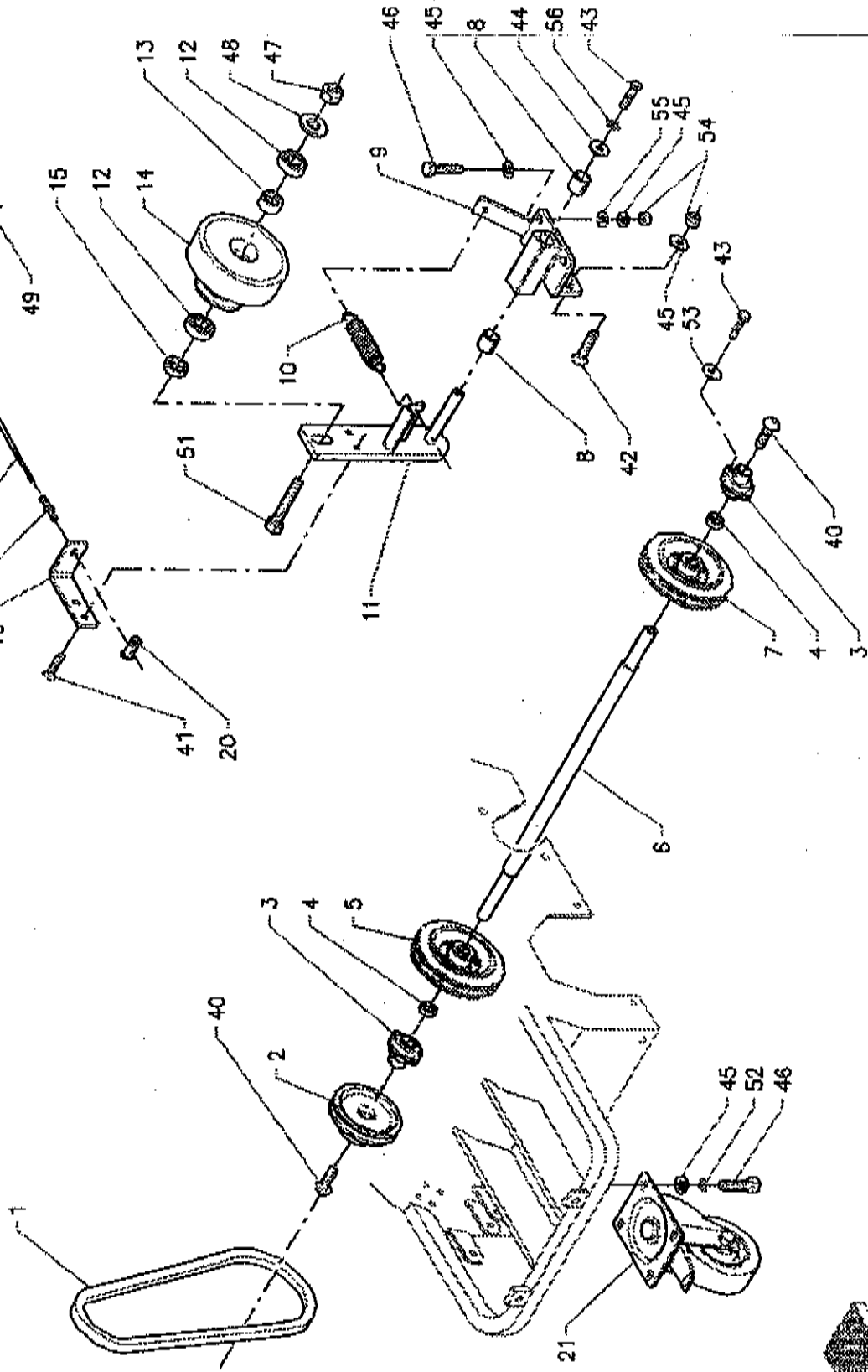
GRUPPO SPAZZOLA LATERALE  
LATERAL BRUSH ASSEMBLY  
GRUPE BRUSSE LATERALE  
SEITENBORSTENGRUPE  
GRUPO CEPILLO LATERAL



Pos. Mod.	Codice	Q.tà	Denominazione	Denomination	Description	Banennung	Description
1	R3848030	1	CARTER	COVER	CARTER	SCHUTZ	CARTER
2	R3802030	2	BOCCOLA	BUSHING	DOUILLE	BUCHSE	CASQUILLO
3	R3808010	1	BRACCIO	ARM	BRAS	ARM	BRAZO
4	E6838010	1	SPAZZOLA	BRUSH	BRASSE	BRUSTE	CEPILLO
5	T4808004	1	PIEDINO Ø8	FOOT	PIEDS	FUSS	BASE
6	T1502001	1	COPIGILIA 2X20	SPLIT PIN	GOUPIILLE	SPUNT	PASADOR DE ALETAS
7	R3808020	1	RONDELLA	WASHER	RONDELLE	SCHWEIBE	ARANDELA
8	T4008001	1	POMELLO	KNOB	POIGNEE	KUGELGRIFF	POMO
9	R3808030	1	LEVA	LEVER	LEVIER	HEBEL	PALANCA
10	E9138020	3	BOCCOLA	BUSHING	DOUILLE	BUCHSE	CASQUILLO
11	R3803040	2	ROLLINO	ROLLER	ROULEAU	ROLLE	RODILLO
12	R3803020	1	ROLLINO	ROLLER	ROULEAU	ROLLE	RODILLO
13	T0150005	1	CINGHIA	BELT	COURROIE	RIEMEN	CORREA
14	E94380050	1	PULEGGIA	PULLEY	POULIE	RIEMENSCHWEIBE	POLEA
20	-	-	VITE TCTC M5X16 UNI 7687	SCREW	VIS	SCHRAUBE	TORNILLO
21	-	-	VITE ØX20 UNI 6738	SCREW	VIS	SCHRAUBE	TORNILLO
22	-	-	ROSETTA M8 D24 UNI 8563	WASHER	RONDELLE	SCHWEIBE	TORNILLO
23	-	-	ROSETTA D,8 GROWER	WASHER	RONDELLE	SCHWEIBE	ARANDELA
24	-	-	VITE TE ØX70 UNI 5738	SCREW	VIS	SCHRAUBE	ARANDELA
25	-	-	DADO M8 AUT. UNI 7474	NUT	ECROU	MUTTER	TORNILLO
26	-	-	DADO M6 UNI 5587	NUT	ECROU	MUTTER	TORNILLO
27	-	-	VITE 6X35 UNI 5738	SCREW	VIS	SCHRAUBE	TORNILLO
28	-	-	GRANO M6X10	SCREW	VIS CYLINDRIQUE	SCHRAUBE	TORNILLO
29	-	-	VITE TE 8X50 UNI 5738	SCREW	VIS	HADEN SCHRAUBE	TORNILLO
30	-	-	VITE TE 8X16 UNI 5738	SCREW	VIS	SCHRAUBE	TORNILLO
31	-	-	ROSETTA D,8 GROWER	WASHER	RONDELLE	SCHWEIBE	ARANDELA

GRUPPO RUOTE / TRAZIONE  
WHEELS ASSEMBLY / TRACTION  
GRUPE RUBEJ / TRAKTION  
BAEDER GRUPPE / ANTRIED  
GRUPO RUEDAS / TRACCION

σ50BT - σ50ST



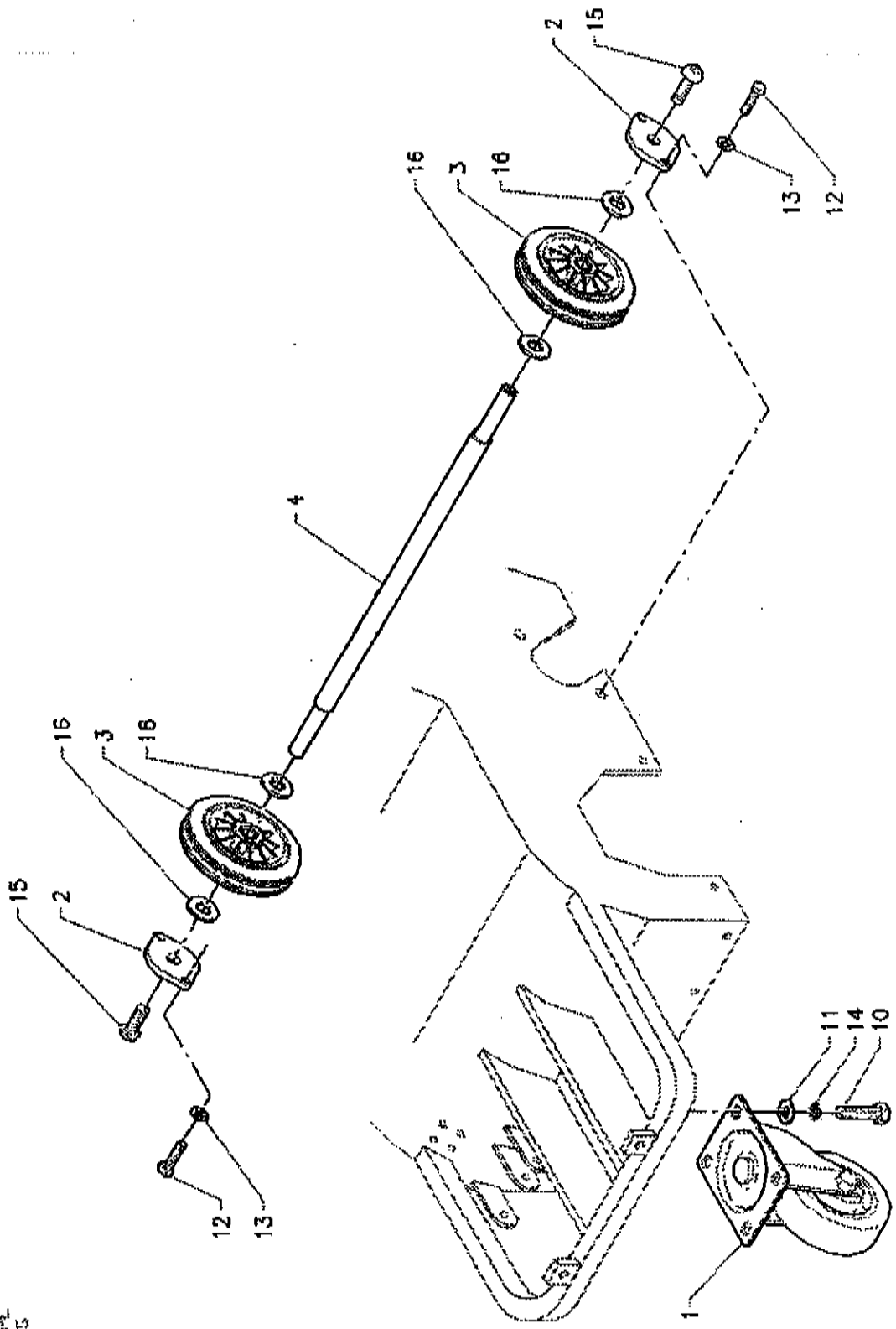
Pos.	Mod.	Codice	Q.tà	Denominazione	Denomination	Description	Benennung	Description
1		T0110010	1	CINGHIA A39	BELT	COURROE	RIEMEN	CORREA
2		E9410300	2	PULEGGIA	PULLEY	POULIE	RIEMENSCHLEIBE	POLEA
3		T0941701	2	SUPPORTO BPFL 203.2	SUPPORT	SUPPORT	HALTERUNG	SOPORTE
4		E9018020	1	DISTANZIALE	WHEEL	ENTRETOISE	DISTANZHOLSE	DISTANCIADOR
5		E7010230	1	RUOTA DX	WHEEL	ROUE	RUEDA	RUEDA
6		R3817010	1	ALBERO	SHAFT	ARBRE	LENKWELLE	EJE
7		E7010240	1	RUOTA SX	WHEEL	ROUE	RUEDA	RUEDA
8		E9100330	2	BOCCOLA	BUSHING	BAGUE	CASQUILLO	SOPORTE
9		R3817030	1	SUPPORTO	SUPPORT	SUPPORT	HALTERUNG	SOPORTE
10		E9220010	1	MOLLA	SPRING	RESSORT	FEDER	RESORTE
11		R3817020	1	BRACCIO	ARM	BRAS	ARM	BRAZO
12		T0511001	2	CUSCINETTO 6200 2RS1	BEARING	ROULEMENT	LAGER	COJINETE
13		E9000300	1	DISTANZIALE	SPACER	ENTRETOISE	DISTANZHOLSE	DISTANCIADOR
14		R3126030	1	PULEGGIA	PULLEY	POULIE	RIEMENSCHLEIBE	POLEA
15		E9000280	1	DISTANZIALE	SPACER	ENTRETOISE	DISTANZHOLSE	DISTANCIADOR
16		T4802016	1	LEVA	LEVER	LEVIER	HEBEL	PALANCA
17		R3817070	1	CAVO	CABLE	CABLE	KABEL	CABLE
18		T4802004	1	REGISTRO	ADJUSTER	REGISTRE	REGISTER	REGULADOR
19		R3817080	1	STAFFA	SUPPORT	ATTACHE	HALTERUNG	SOPORTE FIADOR
20		T4803047	1	MORSETTO	HOLDFAST	ETAU	ZWINGE	ABRAZADERA
21		E7050130	1	RUOTA PIVOTTANTE	CABTOR WHEEL	ROULETTE PIVOTANTE	LENKROLLE	RUEDA PIVOTANTE
40		-	-	VITE M12X20 TBEI ISO 7380	SCREW	VIS	SCHRAUBE	TORNILLO
41		-	-	VITE M6X14 TPSEI UNI 5933	SCREW	VIS	SCHRAUBE	TORNILLO
42		-	-	VITE M8X25 TPSEI UNI 5933	SCREW	VIS	SCHRAUBE	TORNILLO
43		-	-	VITE M6X16 TE UNI 5739	SCREW	VIS	SCHRAUBE	TORNILLO
44		-	-	RONDELLA Ø 6X24 UNI 6593	WASHER	RONDELLE	SCHLEIBE	ARANDELA
45		-	-	RONDELLA Ø 8X17 UNI 6592	WASHER	RONDELLE	SCHLEIBE	ARANDELA
46		-	-	VITE M8X25 TE UNI 5738	SCREW	VIS	SCHRAUBE	TORNILLO
47		-	-	DADO M10 AUTOBL UNI 7474	NUT	ECROU	MUTTER	TUERCA
48		-	-	RONDELLA Ø 10X21 UNI 6592	WASHER	RONDELLE	SCHLEIBE	ARANDELA
49		-	-	DADO M6 UNI 5968	NUT	ECROU	MUTTER	TUERCA
50		-	-	VITE M6X70 TIDE UNI 6732	SCREW	VIS	SCHRAUBE	TORNILLO
51		-	-	VITE M10X85 TE UNI 6737	SCREW	VIS	SCHRAUBE	TORNILLO
52		-	-	RONDELLA Ø 6 GROWER	WASHER	RONDELLE	SCHLEIBE	ARANDELA
53		-	-	DADO M8 AUTOBL UNI 6592	NUT	ECROU	MUTTER	TUERCA
54		-	-	RONDELLA Ø 8X24 UNI 7474	WASHER	RONDELLE	SCHLEIBE	ARANDELA
55		-	-	RONDELLA Ø 6 GROWER	WASHER	RONDELLE	SCHLEIBE	ARANDELA
56		-	-	RONDELLA Ø 6 GROWER	WASHER	RONDELLE	SCHLEIBE	ARANDELA

GRUPPO RUOTE  
WHEELS ASSEMBLY  
GROUPE ROUES  
RÄDER GRUPPE  
GRUPO RUEDAS

σ50B - σ50S

08

REV. 0



08

REV. 0

Pos.	Mod.	Codice	Q.tà	Denominazione	Denomination	Description	Benennung	Description
1		E7050080	1	RUOTA PIVOTTANTE	CASTOR WHEEL	ROULETTE PIVOTANTE	LENKROLLE	RUEDA PIVOTANTE
2		R3816100	2	SUPPORTO	SUPPORT	SUPPORT	HALTERUNG	SOPORTE
3		E7010250	2	RUOTA	WHEEL	ROUE	RAD	RUEDA
4		R3816110	1	ALBERO	SHAFT	ARBRE	LENKWELLE	EJE
10		-	-	VITE M6X25 TE UNI 5798	SCREW	VIS	SCHRAUBE	TORNILLO
11		-	-	RONDELLA Ø 8X17 UNI 6582	WASHER	RONDELLE	SCHIBE	ARANDELA
12		-	-	VITE M6X16 TE UNI 6739	SCREW	VIS	SCHRAUBE	TORNILLO
13		-	-	RONDELLA Ø 8X12 UNI 6582	WASHER	RONDELLE	SCHRAUBE	ARANDELA
14		-	-	RONDELLA Ø 8 GROWER	WASHER	RONDELLE	SCHIBE	ARANDELA
15		-	-	VITE M12X20 TBEIISO 7380	SCREW	VIS	SCHRAUBE	TORNILLO
16		-	-	RONDELLA Ø 20X37 UNI 8582	WASHER	RONDELLE	SCHIBE	ARANDELA