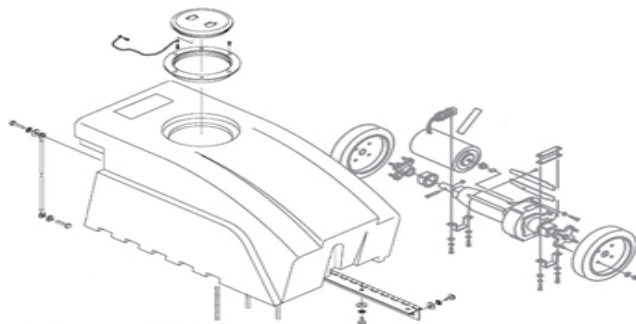
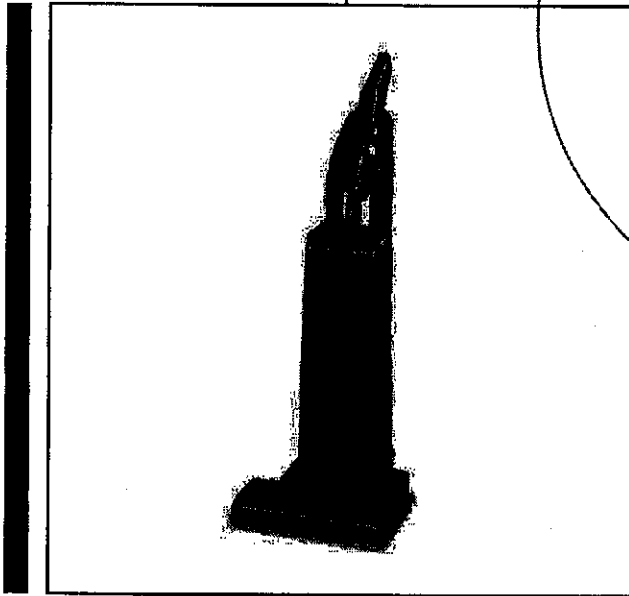


LITE 14 14" Upright Vacuum Cleaner

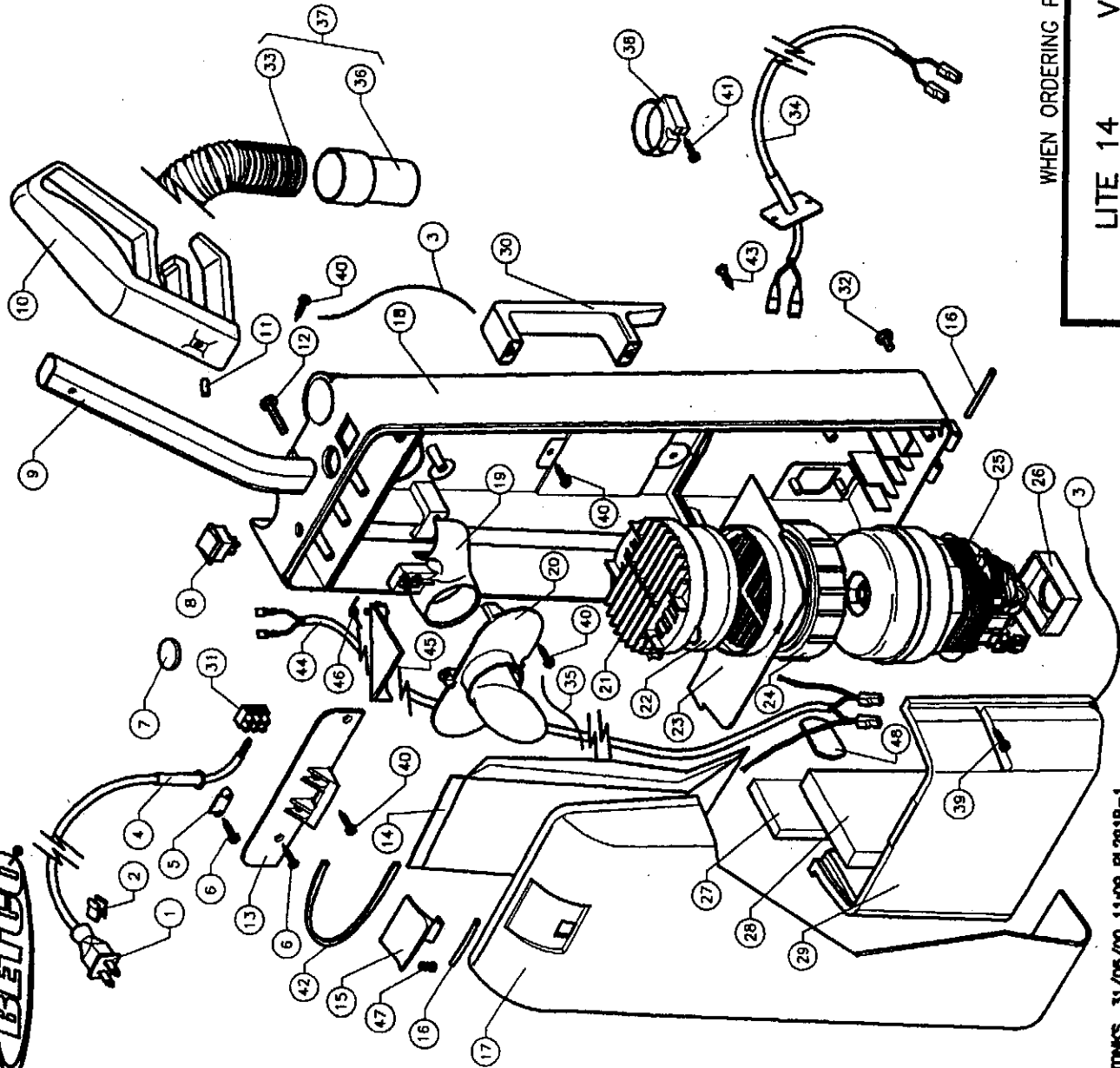
Parts Schematic

Item #85802



FLOOR EQUIPMENT PARTS.COM

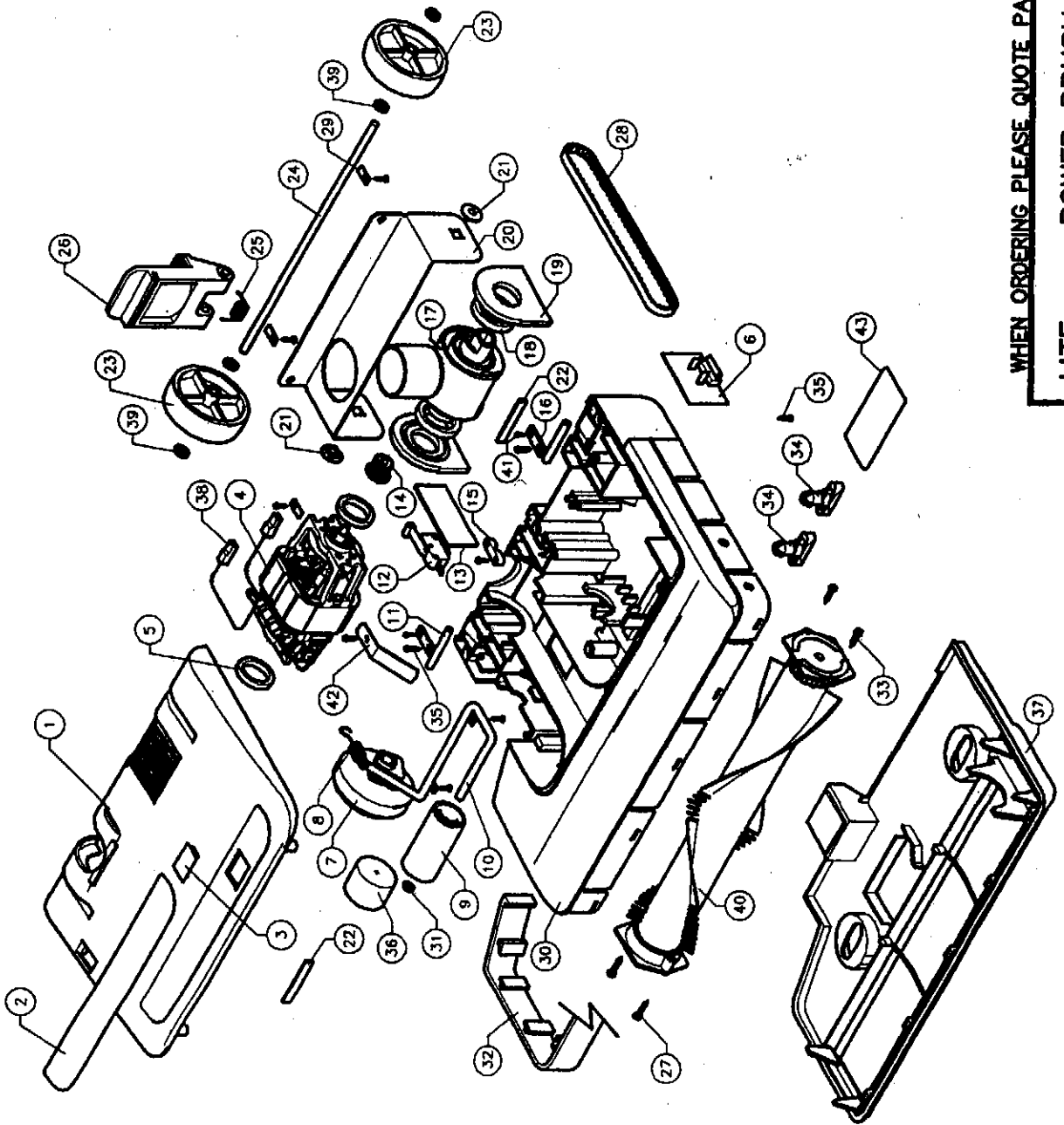
Better Resources. Better Results.
BETCO®



ITEM	PART No.	QTY.	DESCRIPTION
1	85820	1	MAINS LEAD 50' (1mm/2CORE)
2	85821	1	CABLE TIDY
3	85822	2	3mm EXPANDED CORD SEAL
4	85823	1	CABLE GROMMET
5	85824	1	CABLE GRIP
6	85825	2	SCREW C/S 4 x 20mm SPAX
7	86067	1	BLANKING PLUG - BLACK
8	85830	1	ON/OFF SWITCH - BLACK
9	85832	1	HANDLE TUBE
10	85833	1	PLASTIC HANDLE
11	85834	1	M6 x 10 SOCKET GRUB SCREW DOG POINT
12	86068	1	M6 x 30 SCREW - POZIPAN - BLACK
13	85836	1	CATCH PLATE
14	85819	1	PAPER DUST BAG
15	85839	1	CATCH
16	85841	3	HINGE PIN
17	85842	1	FRONT CASING
18	85843	1	REAR CASING
19	85844	1	INLET ADAPTOR
20	85845	1	BAG INLET
21	85846	1	FILTER COVER
22	85847	1	FILTER (BAG BURST)
23	85848	1	MOTOR MOUNTING PLATE
24	85849	1	RUBBER MOTOR RING
25	86053	1	VAC MOTOR 110V
26	85851	1	MOTOR MOUNTING PAD
27	85854	1	EXIT FILTER
28	85855	1	BAFFLE FOAM
29	85856	1	MOTOR COVER
30	86857	1	REAR HANDLE
31	85826	1	3-WAY TERMINAL BLOCK
32	86089	2	M5 x 10 SCREW - POZIPAN - BLACK
33	86070	1	Ø32 FLEXIBLE HOSE x 900mm LG - GREY
34	86075	1	MAINS LEAD 240mm (1mm/2CORE)
35	85871	1	NYLON CORD x 300mm LG
36	86071	2	HOSE SLEEVE 32mm - BLACK
37	86072	2	HOSE ASSY
38	86066	1	SUCTION TUBE RETAINER
39	85868	4	SCREW PH 4 x 35mm SPAX
40	85869	8	SCREW PH 4 x 20mm SPAX
41	85870	1	SCREW PH 4 x 12mm SPAX
42	85873	1	INLET NOZZLE DUST SEAL
43	86032	2	SCREW PH 3 x 12mm SPAX
44	86074	1	MAINS LEAD 520mm (1mm/2CORE)
45	85838	1	NO BAG INDICATOR ARM (RED)
46	85837	1	ARM SPRING
47	85840	1	SPRING
48	86076	1	SWITCH REPLACEMENT PLATE

WHEN ORDERING PLEASE QUOTE PART No. AND PART DESCRIPTION

LITE 14 VACUUM UNIT 115V - BETCO



ITEM	PART No.	QTY.	DESCRIPTION
1	85877	1	POWER BRUSH TOP MOULDING
2	86057	1	TOP COVER LABEL
3	85879	1	CLIP IN LENS
4	85880	1	110V 50 Hz 300W MOTOR
5	85881	2	MOTOR SUPPORT RING
6	86058	1	FUSE BOARD ASSY
7	85883	1	HEIGHT ADJUSTMENT KNOB
8	86047	1	ROLLER ADJUSTMENT SPRING
9	58684	1	FLOOR ROLLER
10	85885	1	ROLLER AXLE
11	85886	2	PIVOT PIN
12	85887	1	MICRO SWITCH
13	85888	1	SWITCH PLATE
14	85889	1	COGGED DRIVE (MOTOR END)
15	85890	1	CABLE GRIP
16	85891	2	CLAMP PLATE
17	85892	1	TRUNNION
18	85893	2	TRUNNION SIDE FELT
19	85894	2	TRUNNION SIDE PLATE
20	85895	1	PRESS STEEL BRACKET
21	85896	2	SQUARE BUSH
22	85897	2	FELT SEAL
23	85898	2	WHEEL #66
24	85899	1	WHEEL AXLE
25	86025	1	PARK RELEASE SPRING
26	86025	1	FOOT PEDAL
27	86059	2	SCREW C/S 4 x 18mm SPAX
28	86060	1	DRIVE BELT-130XL x 6mm
29	86028	5	CLAMP WASHER
30	86048	1	POWER BRUSH MIDDLE MOULDING
31	86030	1	1/4" STARLOCK CAP
32	86043	1	SMALL BUFFER
33	86061	2	SCREW C/S 4 x 11mm SPAX
34	86033	2	TURNBUTTION
35	86034	15	M4 x 20mm SPAXS
36	86041	1	FOAM RING SEAL
37	86044	1	370 BOTTOM FLOOR PLATE
38	86062	2	FEMALE 6.3 x 0.8 TAGS WITH P/FT BOOTS
39	86040	4	M6 WASHER
40	86063	1	370 PLASTIC BRUSH ROLL COMPLETE
41	86039	2	M4 x 12mm SPAXS
42	86064	1	MOTOR FIXING BRACKET
43	86064	1	RATING LABEL

WHEN ORDERING PLEASE QUOTE PART No. AND PART DESCRIPTION

LITE

POWER BRUSH ASSEMBLY 115v 60Hz

BETCO