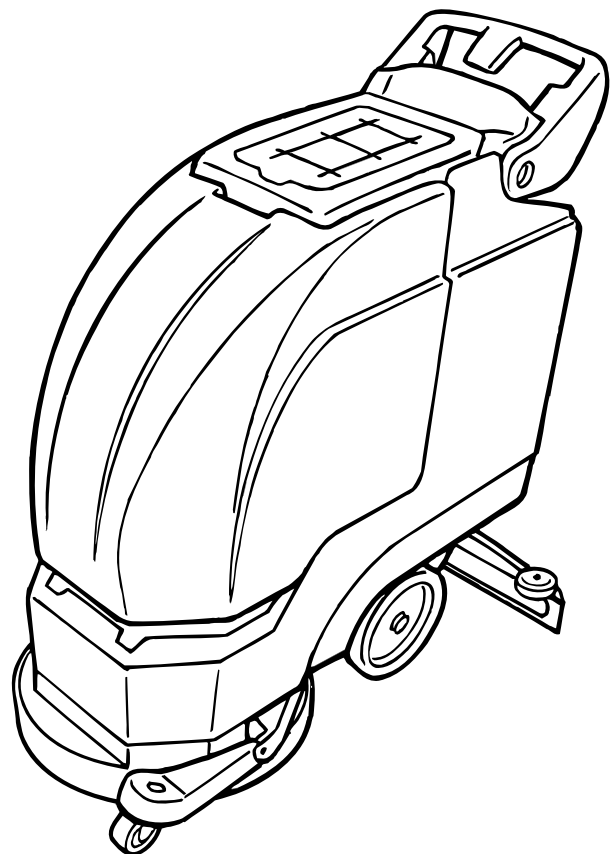


5100

Battery Automatic Scrubber
Fregadora Automática Batería

Model No.:
609139
609140 – Pac

Operator and Parts Manual
Manual de Operación y de Piezas



TENNANT COMPANY
701 NORTH LILAC DRIVE
MINNEAPOLIS, MN 55422

MAILING ADDRESS:
TENNANT COMPANY
P.O. BOX 1452
MINNEAPOLIS, MN 55440-1452

CUSTOMER SERVICE:
1-800-982-7658
1-763-513-2850

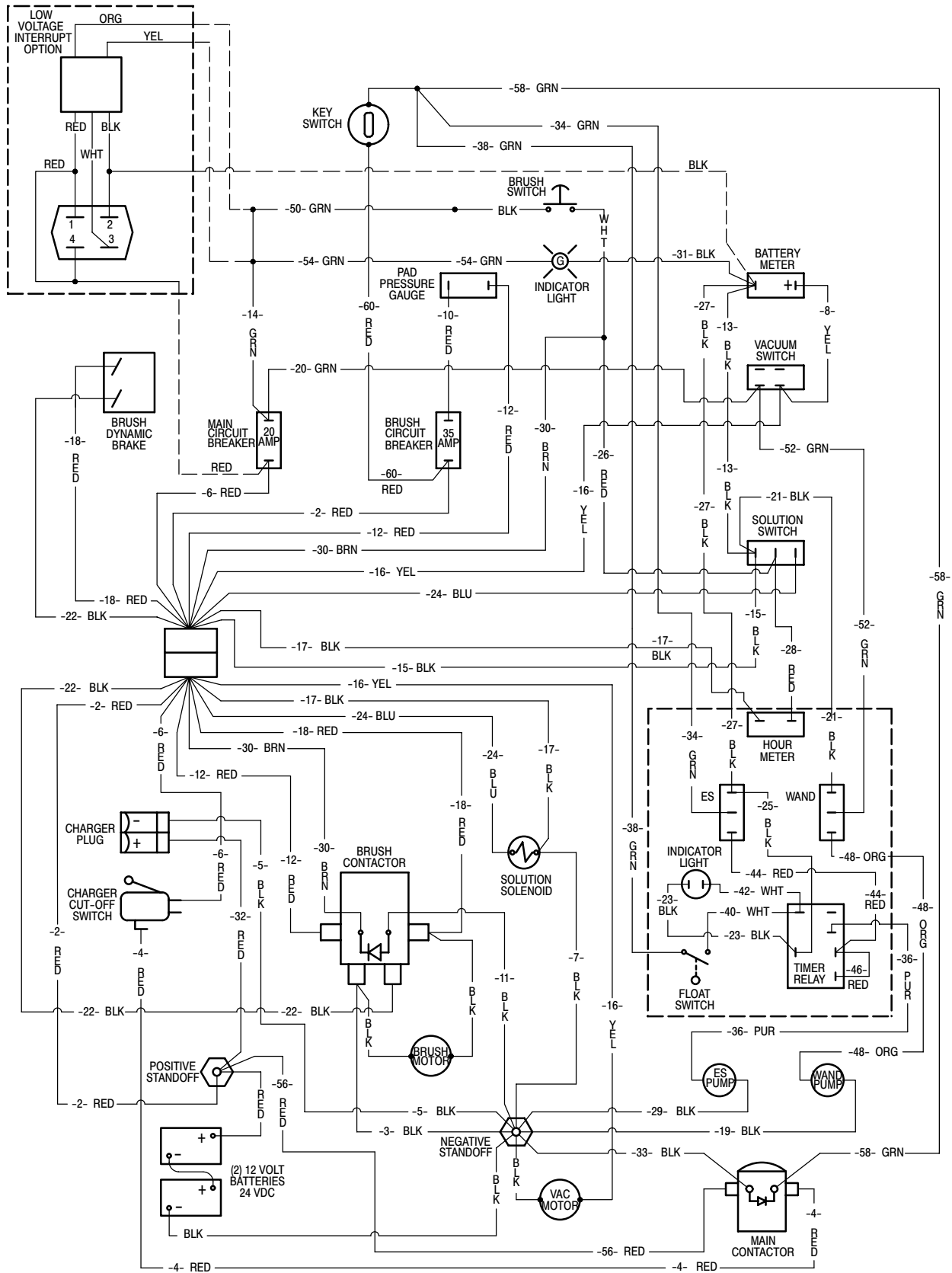
FAX: 1-800-678-4240
1-763-513-2142

TECHNICAL SUPPORT:
1-800-522-7839 EXT. 5356

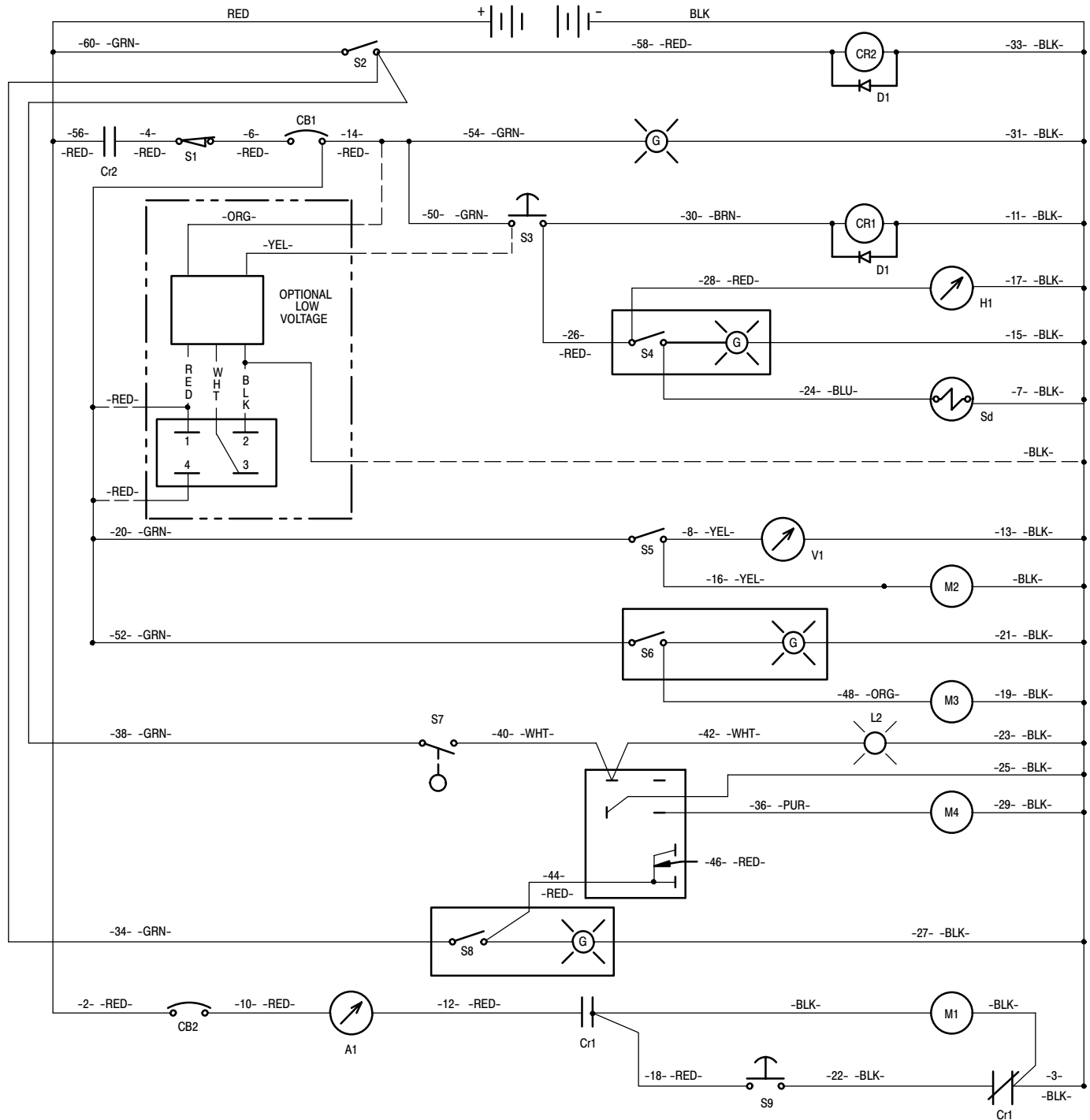
609372
Rev. 02 (02-04)

ELECTRICAL DIAGRAMS DIAGRAMAS ELECTRICAS

WIRING DIAGRAM DIAGRAMA DE CABLEADO



LADDER DIAGRAM DIAGRAMA ESCALONADO



REF LEGEND

RED= Red
 BLK= Black
 GRN= Green
 WHT= White
 ORG= Orange
 BLU= Blue
 BRN= Brown
 PUR= Purple
 YEL= Yellow
 A1= Ammeter
 CR1 = Contactor Coil
 CR2 = Contactor Coil

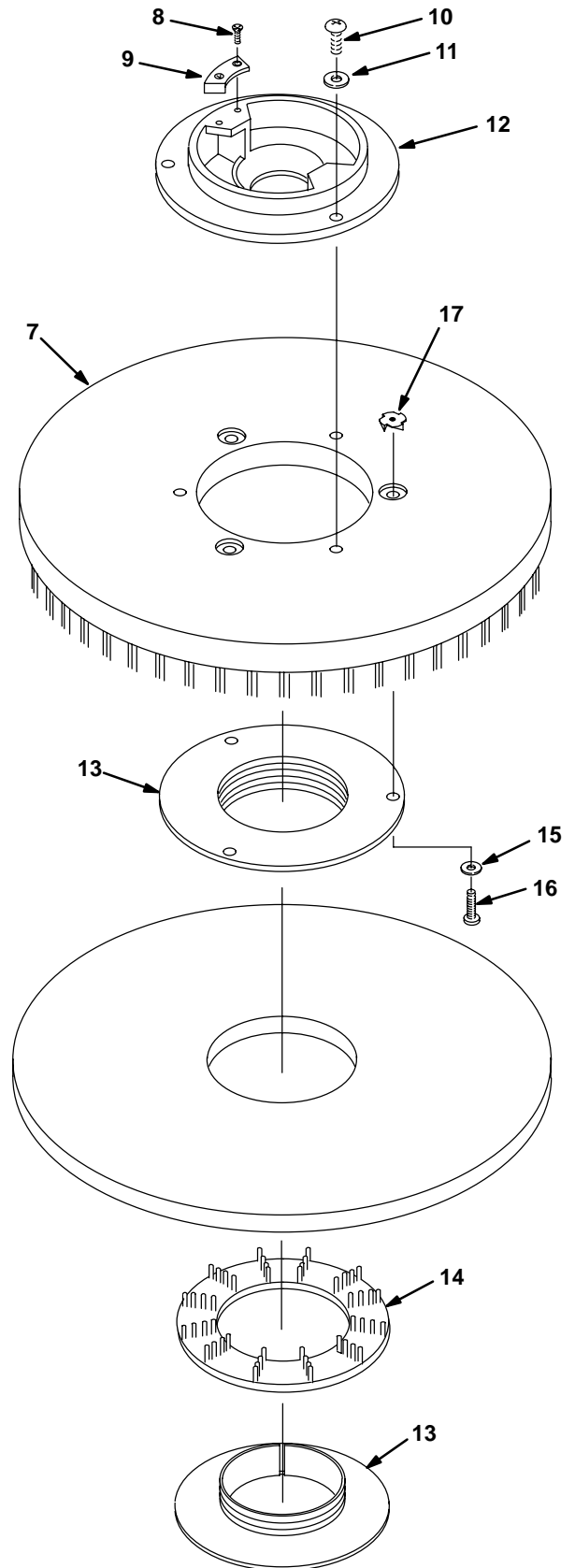
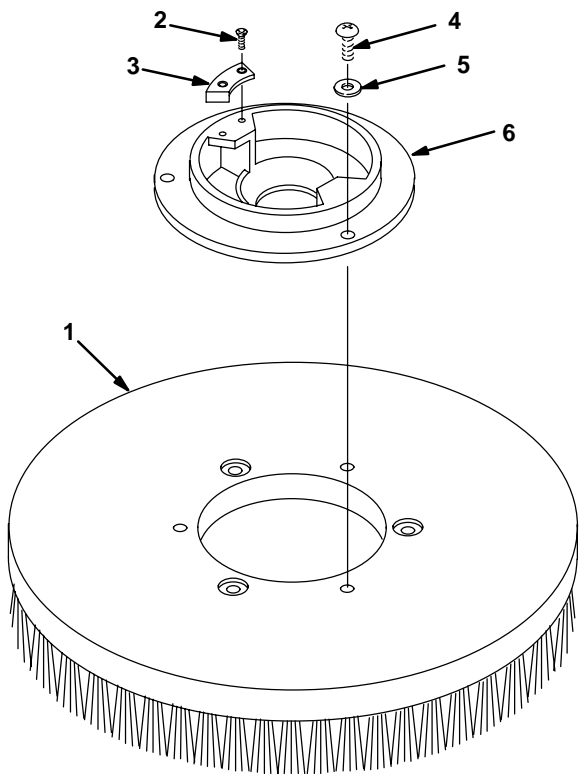
REF LEGEND

cr1= Contactor Relay
 CB1 = Circuit Bkr. Main 20A
 CB2 = Breaker, Circuit 35A
 D1= Diode
 H1= Hourmeter
 L1= Light, Indicator
 L2= Light, Full Tank
 M1= Motor, Brush
 M2= Motor, Vacuum
 M3= Motor, Wand
 M4= Motor, Recycle
 S1= Switch, Chg Cut-off

REF LEGEND

S2= Switch, Key
 S3= Switch, Brush
 S4= Switch, Solution
 S5= Switch, Vacuum
 S6= Switch, Wand
 S7= Switch, Float
 S8= Switch, Recycle
 S9= Switch, Brush Off
 Sd= Valve, Solenoid
 T1= Relay, Timer
 V1= Voltmeter

REPLACEMENT BRUSHES AND PAD DRIVER GROUP
SUSTITUCIÓN DEL CONJUNTO DEL IMPULSOR DE LA ALMOHADILLA Y CEPILLOS



**REPLACEMENT BRUSHES AND PAD DRIVER GROUP
SUSTITUCIÓN DEL CONJUNTO DEL IMPULSOR DE LA ALMOHADILLA Y CEPILLOS**

REF	PART #	DESCRIPTION	QTY.
▽ 1	370000	●ASM., BRUSH 17" NYLON SCRUB	1
	370002	●ASM., BRUSH 17" GRIT STRIP	1
	370007	●ASM., BRUSH 17" POLY SCRUB	1
▲ 2	370052	SCREW, FLT #06 X 0.31	4
▲ 3	603438	PLATE, WEAR	2
▲ 4	32746	SCREW, PAN M6 X 1.0 X 35	3
▲ 5	01684	WASHER, FLAT 0.25	3
▲ 6	601453	●PLATE, CLUTCH	1

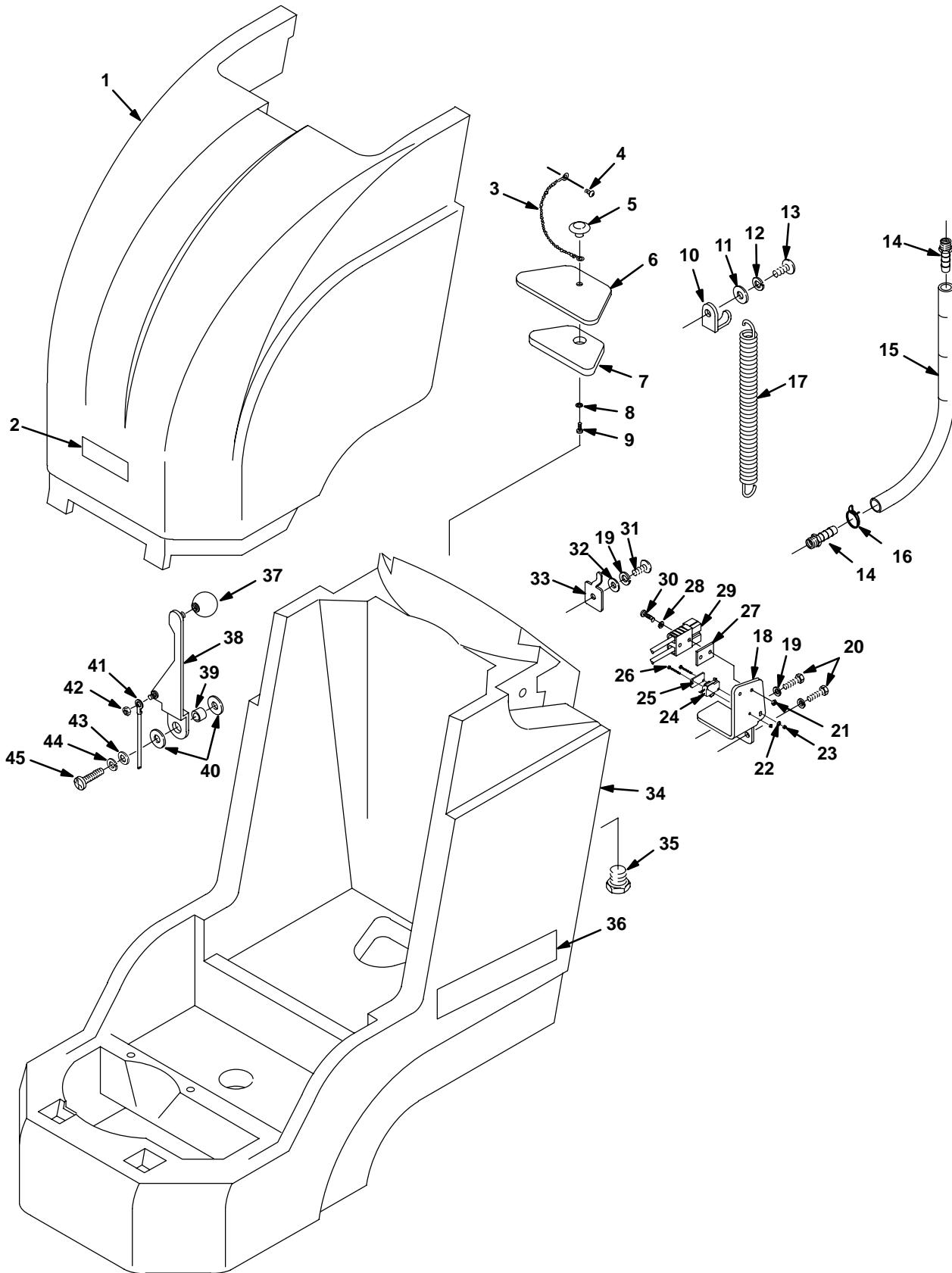
▽ ASSEMBLY / CONJUNTO

▲ INCLUDED IN ASSEMBLY / INCLUIDO EN EL CONJUNTO

● RECOMMENDED STOCK ITEMS / ARTICULOS RECOMENDADOS PARA
MANTENER EN EXISTENCIA

REF	PART #	DESCRIPTION	QTY.
▽ 7	606227	●ASM., PAD DRIVER 17"	1
▲ 8	370052	SCREW, FLT #06 X 0.31	4
▲ 9	603438	PLATE, WEAR	2
▲ 10	32746	SCREW, PAN M6 X 1.0 X 35	3
▲ 11	01684	WASHER, FLAT 0.25	3
▲ 12	601453	●PLATE, CLUTCH	1
▲ 13	603991	●PAD HOLDER	1
▲ 14	32505	WASHER, BRUSH PAD 5.65D	1
▲ 15	41579	WASHER, FLAT #08	3
▲ 16	04403	SCREW, PAN M4X0.7X25 NY	3
▲ 17	10908	NUT, T M4 X 0.7	3

SOLUTION TANK GROUP
GRUPE DEL DEPÓSITO DE DISOLUCIÓN



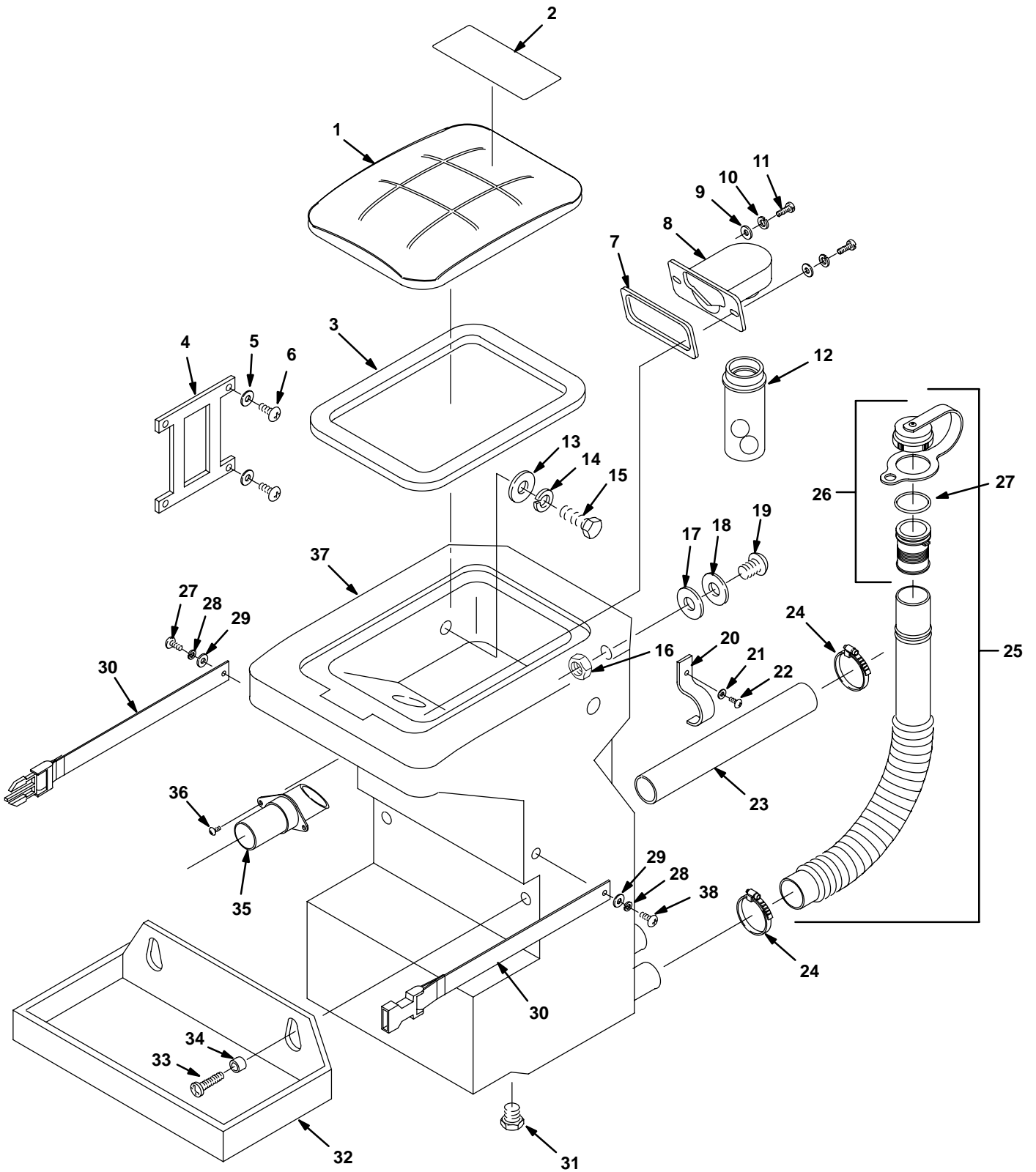
SOLUTION TANK GROUP
GRUPE DEL DEPÓSITO DE DISOLUCIÓN

REF	PART #	DESCRIPTION	QTY.
1	609205	COVER, BATTERY, TEAL	1
2	120192	LABEL, LOGO TENNANT 2.75X7.06	1
3	230513	CHAIN ASSEMBLY	1
4	140825	SCREW, #6X1/2 PANPHL SHTMTL	1
5	578301	KNOB, FILL COVER	1
6	610108	COVER, REAR FILL BLACK	1
7	610109	GASKET, REAR FILL COVER	1
8	140018	WASHER, LOCK INT #10	1
9	578201000	SCREW 10-32X.5 PAN PHL	1
10	610204	BRACKET, SPRING	1
11	140027	WASHER, FLAT 0.31	1
12	140015	WASHER, LOCK SPLIT 0.31	1
13	15675	SCREW, HEX M8X1.25X16	1
14	14884	FITTING, BRS STR BM08/PM06	2
15	610256	HOSE, DRAIN W/LEVEL INDICATOR	1
16	607776	CLAMP, HOSE .73-.77 WIRE BLK	1
17	140423	SPRING, BRUSH PRESSURE	1
18	601466	BRACKET, CHARGE PLUG	1
19	140016	WASHER, LOCK 0.25	3
20	608322	SCREW, TRS M6X1.0X16 PHL	2
21	140539	NUT, 6-32 KEP	2
22	200301012	WASHER, M3 FLAT	1
23	579211	NUT, HEX M3 HEXLCK	2
24	600437	●SWITCH, SNAP ACTN 250VAC 16A	1

REF	PART #	DESCRIPTION	QTY.
25	601359	PLATE, SWITCH BACKING	1
26	578403000	SCREW, M3X.5X20 PAN PHL	2
27	603331	SPACER, CHARGER PLUG	1
28	140019	WASHER, LOCK EXT #6	2
29	605387	●CONNECTOR, RED 50A WO/CONTACTS	1
30	140829	SCREW, 6-32X1 PAN PHL	2
31	363503	SCREW, PAN M6X1.0X12	1
32	140000	WASHER, FLAT 1/4	1
33	601460	CLIP, DRAIN HOSE	1
34	610103	TANK, SOLUTION TEAL	1
35	630146	PLUG, 3/8" NPT NYLON	1
36	609066	LABEL, SIDE 5100	2
37	601425	KNOB, BALL	1
38	601426	LEVER, SQUEEGEE	1
39	601427	SLEEVE, 0.625D 0.320B 0.33L STL	1
40	601437	WASHER, .621 X 1.25 X .06 NY	2
41	601428	CABLE, SQUEEGEE	1
42	601476	NUT, 1/4-20 LOCK TWO WAY	1
43	140055	WASHER, .343 X 1.25 X 0.31	1
44	140015	WASHER, LOCK SPLIT 0.31	1
45	630425	SCREW, PAN M8X20MM PHL	1

● RECOMMENDED STOCK ITEMS / ARTICULOS RECOMENDADOS PARA MANTENER EN EXISTENCIA

RECOVERY TANK GROUP
CONJUNTO DESPOSITO RECUPERAR



**RECOVERY TANK GROUP
CONJUNTO DESPOSITO RECUPERAR**

REF	PART #	DESCRIPTION	QTY.
▽ 1	613716	●ASM., LID & LABEL	1
▲ 2	613287	LABEL, WARNING SCRUB 6X2.25	1
▲ 3	630367	●GASKET, REC. TANK	1
4	630056	STRAP, TANK COVER	1
5	1009168	WASHER, FLAT 0.174X0.75X0.04	4
6	3701.6	SCREW, PAN #6X3/8 PHL SHTMTL	4
7	630255	GASKET, FLOAT MOUNT	1
8	630053	MOUNT, FLOAT CAGE	1
9	140000	WASHER, FLAT 1/4	2
10	140016	WASHER, LOCK 0.25	2
11	600385	SCREW, PAN M06X1.0X20 PHL	2
12	630052	●FLOAT, SHUT-OFF (2) BALL	1
13	140027	WASHER, FLAT 0.31	2
14	140015	WASHER, LOCK SPLIT 0.31	2
15	09010	SCREW, M08X1.25X25MM	2
16	603418	NUT, 5/8-11 HEX NYLON	1
17	605147	WASHER, RUBBER 1.50D	1
18	601437	WASHER, NYLON	1
19	609709	SCREW, 5/8-11X1" BTTSOCHD	1

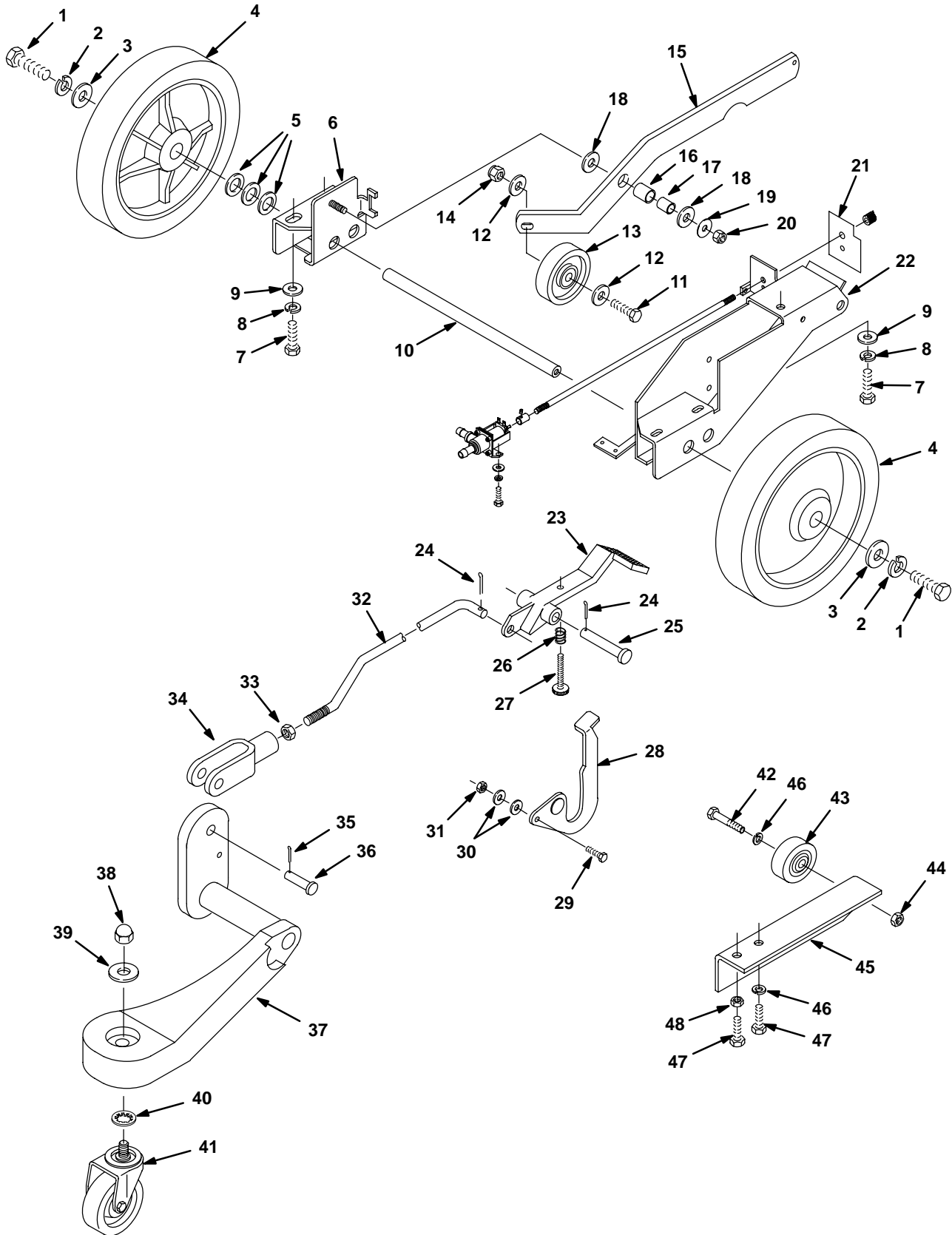
REF	PART #	DESCRIPTION	QTY.
20	601462	CLAMP, 1-1/4 CONDUIT	1
21	140016	WASHER, LOCK 0.25	1
22	363503	SCREW, PAN M6X1.0X12	1
23	240177	TUBE, BASE INLET	1
24	614157	CLAMP, HOSE 27MM TO 51MM	3
▽ 25	1010481	●ASM., DRAIN HOSE	1
▲ 26	1008639	●ASM., CAP, DRAIN HOSE	1
▲ 27	1008637	●O-RING	1
28	140015	WASHER, LOCK SPLIT 0.31	2
29	140027	WASHER, FLAT 0.31	2
30	601431	STRAP, BATTERY	1
31	630147	FITTING, PLSTC PM12 HEX	1
32	601430	TRAY, BATTERY	1
33	601438	SCREW, TRS .38-16X0.62 PHL	2
34	601439	SPACER, .39X.56X.16	2
35	160485	●ADAPTER, HOSE	1
36	200070382	SCREW, FIL M05X0.8X10 PHL	2
37	609203	TANK, RECOVERY, TEAL	1
38	15675	SCREW, HEX M08X1.25X16	2

▽ ASSEMBLY / CONJUNTO

▲ INCLUDED IN ASSEMBLY / INCLUIDO EN EL CONJUNTO

● RECOMMENDED STOCK ITEMS / ARTICULOS RECOMENDADOS PARA
MANTENER EN EXISTENCIA

WHEEL GROUP
CONJUNTO DE LA RUEDA



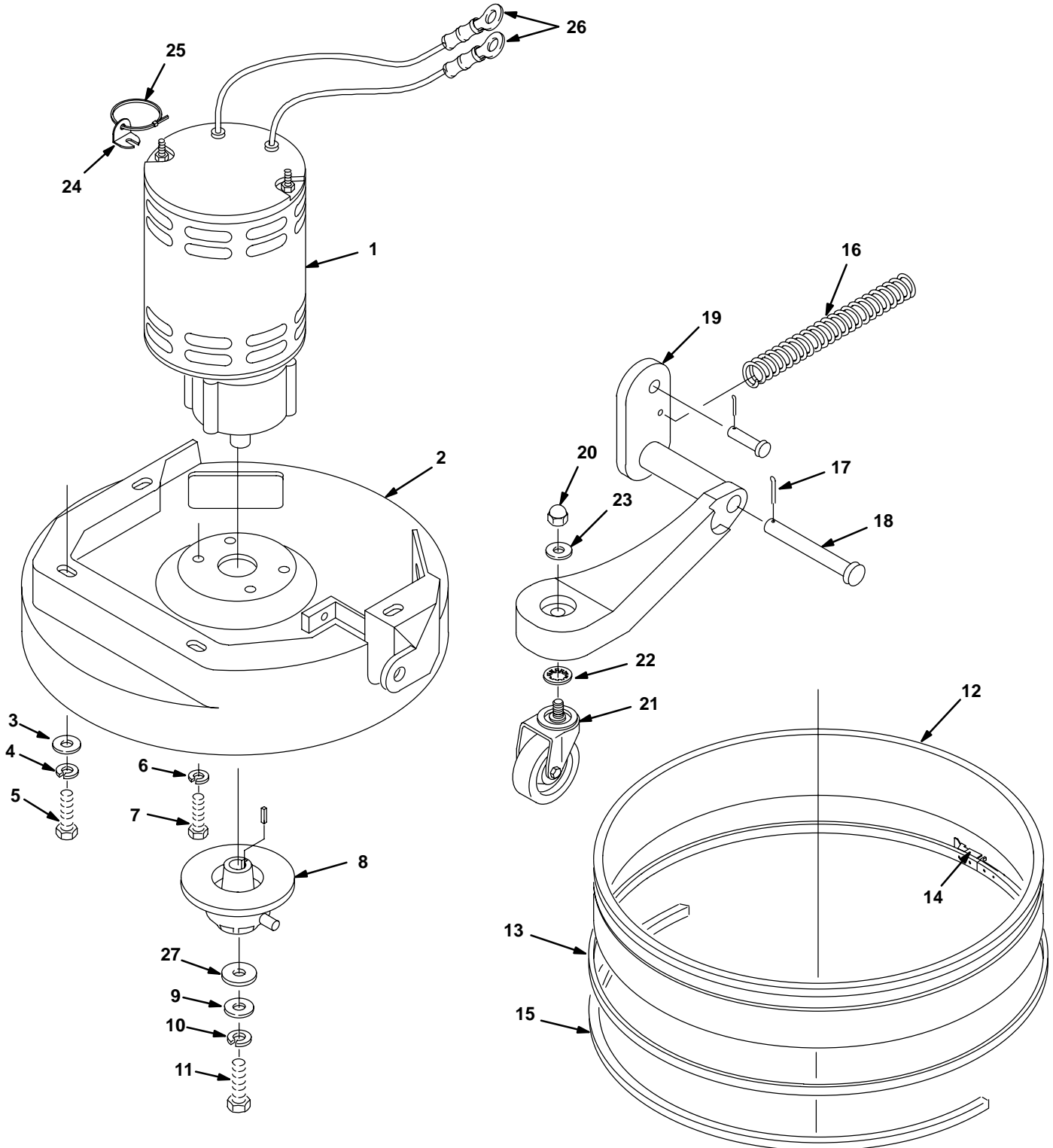
WHEEL GROUP
CONJUNTO DE LA RUEDA

REF	PART #	DESCRIPTION	QTY.
1	02994	SCREW, HEX .38-16X0.75	2
2	140017	WASHER, LOCK SPLIT 0.38	2
3	140028	WASHER, FLAT 0.42B 1.00D .05	2
4	1012021	●WHEEL, 8.0D 1.50W POLY	2
5	140047	WASHER, 1.246X.754X.062	3
6	1011518	MOUNT, WELDMENT AXLE	1
7	1011584	SCREW, M8X1.25X25 NY PATCH	5
8	140015	WASHER, LOCK SPLIT 0.31	5
9	140028	WASHER, FLAT 0.42B 1.00D .05	5
10	601448	AXLE, .75D X 15.20	1
11	140256	SCREW, .38-16X2.50	1
12	140028	WASHER, FLAT 0.42B 1.00D .05	2
13	613974	●KIT, 4" WHEEL AND BUSHING	1
14	59156	NUT, HEX LOCK .38-16 NL	1
15	601458	MOUNT, WHEEL BRUSH	1
16	630188	BEARING, .50"IDX.25LG JOURNAL	1
17	630189	SLEEVE, 0.496D 0.318B 0.21L STL	1
18	630447	WASHER, M12.7 X 25.4 X .8 NY	2
19	140055	WASHER, FLAT	1
20	200160017	NUT, HEX LOCK M8 X 1.25 NL	1
21	601491	DECAL, SOLUTION CONTROL	1
22	1011934	MOUNT, AXLE PEDAL	1
23	601444	PEDAL, HEAD LIFT	1
24	140630	PIN, COTTER .094 X 0.75	2

REF	PART #	DESCRIPTION	QTY.
25	601471	PIN, CLEVIS 0.50D X 2.50L	1
26	578140000	SPRING, COMPR 16.8D 1.2W 25.4L	1
27	603145	KNOB, 5/16-18F 1"DIA	1
28	601445	PEDAL, LATCH RELEASE	1
29	16931	SCREW, M8X1.25X20MM	1
30	32491	WASHER, FLAT 0.31	2
31	08709	NUT, HEX LOCK M8 X 1.25NL	1
32	601442	ROD, CASTER MOUNT	1
33	20171	NUT, HEX JAM .38-24	1
34	578085000	YOKE, ADJUSTMENT	1
35	612254000	PIN, HAIRPIN .38" DIA SHAFT	1
36	140608	PIN, CLEVIS 3/8 DIA X 1-1/4	1
37	606537	MOUNT, CASTER	1
38	3058	NUT, 1/2-13 CPACRN BRS	1
39	3148.816	WASHER, 0.52B 0.88D .06 STL	1
40	140029	WASHER, 9/16 INT. TOOTH	1
41	601443	●CASTER, SWIVEL	1
42	630478	SCREW, SHLD .38D X 1.00 .31-18	2
43	630477	●WHEEL, 2.0D 0.38W POLY GRAY	2
44	601108000	NUT, 5/16-18 HXLCK THIN NY	2
45	604323	BRACKET, STOP	2
46	140015	WASHER, LOCK SPLIT 0.31	4
47	09010	SCREW, HEX, M8X1.25X25	4
48	200101017	NUT, HEX M8X1.25 HXJM	2

● RECOMMENDED STOCK ITEMS / ARTICULOS RECOMENDADOS PARA
MANTENER EN EXISTENCIA

SCRUB HEAD GROUP
GRUPO DEL CABEZAL DE FREGADO DE DISCO



**SCRUB HEAD GROUP
GRUPO DEL CABEZAL DE FREGADO DE DISCO**

REF	PART #	DESCRIPTION	QTY.
▽ 1	601499	●MOTOR, ELE .75HP 165RPM 24V	1
▲	603638	●BRUSH, CARBON 1PC	4
▲	630609	GEARBOX ASSY	1
▲	140632	KEY, .25 X .25 X 1.00L	1
2	601440	HEAD CASTING	1
3	140028	WASHER, FLAT 0.42B 1.00D .05	4
4	140015	WASHER, LOCK SPLIT 0.31	4
5	1011584	SCREW, M8X1.25X25MM W/PATCH	4
6	140017	WASHER, LOCK SPLIT 0.38	4
7	140202	SCREW, HEX .38-16 X 1.00	4
8	611846	HUB, BRUSH DRIVE	1
9	069764631	WASHER, FLAT M8.4 X 25.4 X 4.8	1
10	140015	WASHER, LOCK SPLIT 0.31	1
11	140219	SCREW, HEX .31-18 X 1.00	1
12	601493	●SKIRT, SPLASH GUARD	1

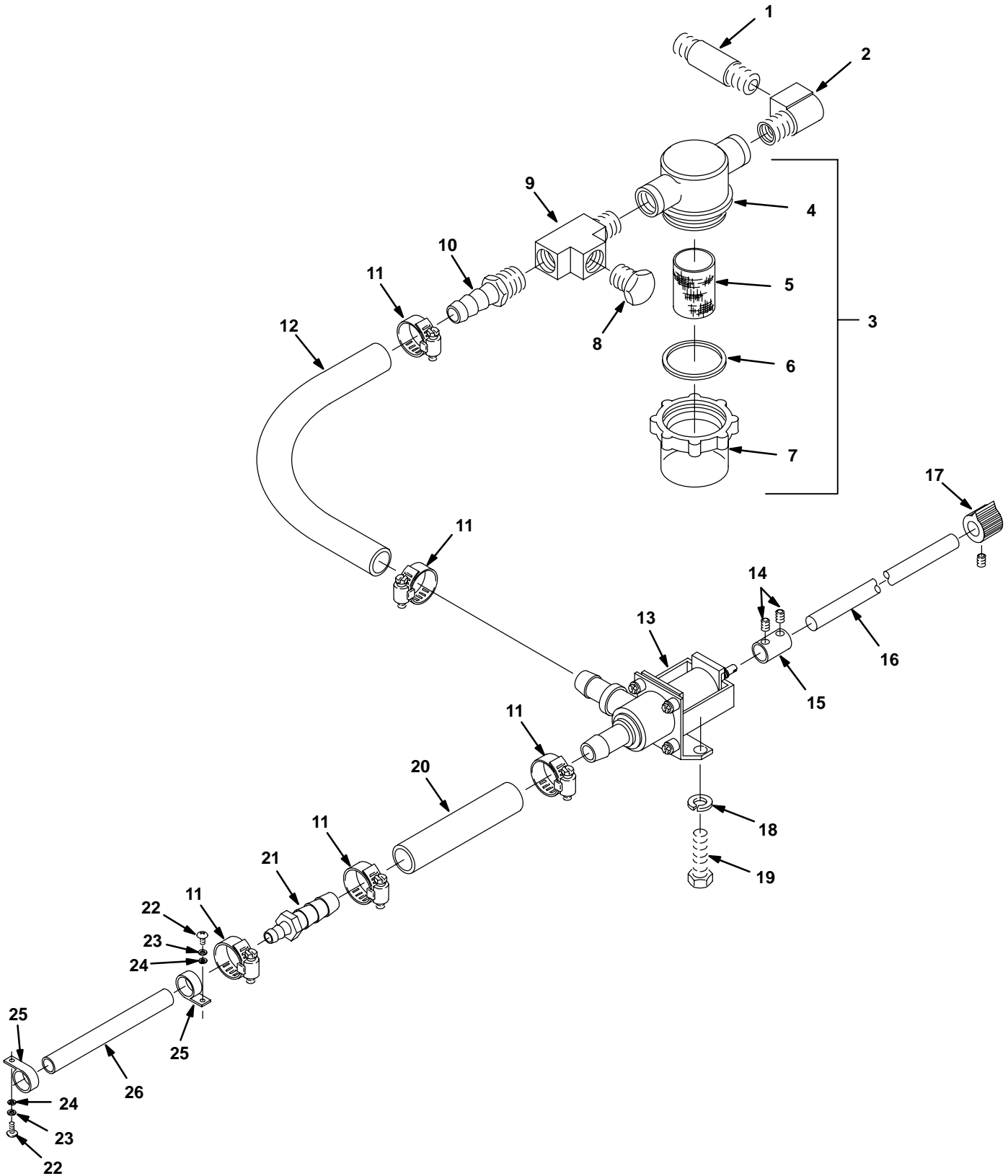
REF	PART #	DESCRIPTION	QTY.
▽ 13	614113	KIT, REPLACEMENT BAND 56"	1
▲ 14	602044000	FASTENER, ADJUSTING, SKIRT	1
15	604744	BUMPER, EXTRUSION 30"	1
16	603148	SPRING, EXT .75 X 4.00 X .085WD	1
17	612254000	PIN, HAIRPIN .38" DIA SHAFT	1
18	069764083	PIN, CLEVIS 1/2 DIA X 5-1/4	1
19	606537	MOUNT, CASTER	1
20	3058	NUT, 1/2-13 CPACRN BRS	1
21	601443	CASTER, SWIVEL	1
22	140029	WASHER, 9/16 INT	1
23	3148.816	WASHER, FLAT 0.52B 0.88D .06	1
24	608943	BRACKET, WIRE TIE	1
25	130041	WIRE TIE	1
26	130111	TERMINAL, RING 5/16 12-10 VI YL	2
27	140047	WASHER, 1.246 X .754 X .062	1

▽ ASSEMBLY / CONJUNTO

▲ INCLUDED IN ASSEMBLY / INCLUIDO EN EL CONJUNTO

● RECOMMENDED STOCK ITEMS / ARTICULOS RECOMENDADOS PARA
MANTENER EN EXISTENCIA

PLUMBING GROUP
GRUPO DE TUBERÍAS



PLUMBING GROUP
GRUPO DE TUBERÍAS

REF	PART #	DESCRIPTION	QTY.
1	601489	FITTING, BRS STR PM06X2.0 NIP	1
2	150420	FITTING, 3/8M X 3/8F ELB 90°	1
▽ 3	1005302	●FILTER, INLINE 80 MESH	1
▲ 4	613993	BODY, TOP FILTER	1
▲ 5	1005304	SCREEN, FILTER 80 MESH	1
▲ 6	613992	GASKET, FILTER	1
▲ 7	613991	BOWL, CLEAR FILTER	1
8	630146	PLUG, 3/8 NPT NYLON	1
9	601483	FITTING, 3/8M X 3/8F TEE STR	1
10	14884	FITTING, BRS STR BM08/PM06	1
11	54333	CLAMP, HOSE WORM 0.31-0.88D	5
12	613518	TUBING, 1/2IDX3/4ODX0.67' VINYL	1
13	630022	●VALVE, SOLENOID 24VDC	1

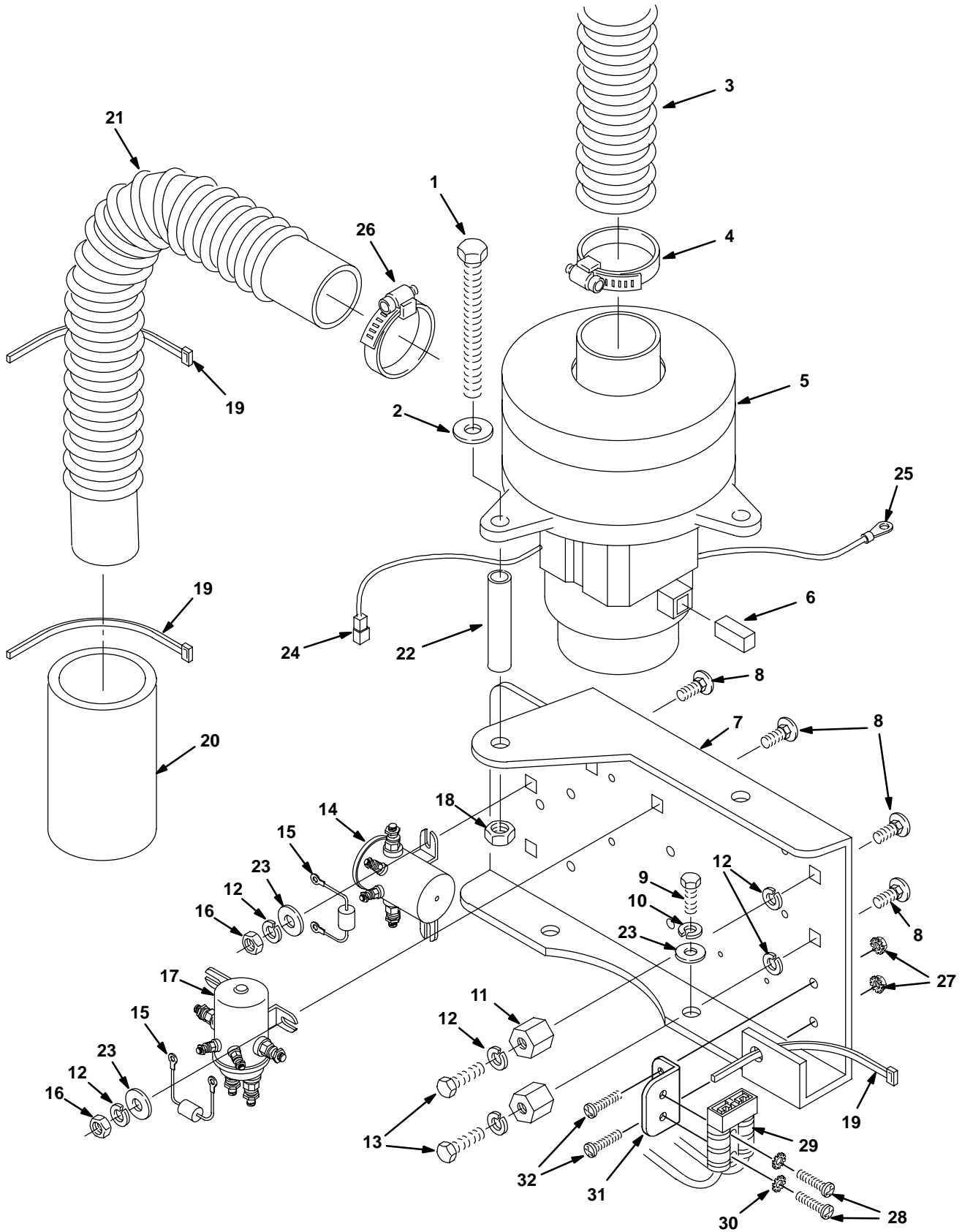
REF	PART #	DESCRIPTION	QTY.
14	069762095	SCREW, 10-24X1/4 SKSET	2
15	601472	COUPLING	1
16	601473	ROD, WATER VALVE	1
17	626121	KNOB, WATER VALVE	1
18	140016	WASHER, LOCK 0.25	2
19	15678	SCREW, HEX M6X1.0X16	2
20	069760725	TUBING, 1/2IDX3/4ODX0.25' VINYL	1
21	630164	FITTING, PLSTC STR BM08/BM04	1
22	579259	SCREW, PAN M04X0.7X12	2
23	140023	WASHER, LOCK INT #8	2
24	200301014	WASHER, M4.3X10.1X1 FLT	2
25	140328	CLAMP, CABLE 3/8ID BLACK NY	2
26	578569	HOSE, 1/4 ID X 4.00"	1

▽ ASSEMBLY / CONJUNTO

▲ INCLUDED IN ASSEMBLY / INCLUIDO EN EL CONJUNTO

● RECOMMENDED STOCK ITEMS / ARTICULOS RECOMENDADOS PARA
MANTENER EN EXISTENCIA

VACUUM MOTOR GROUP
CONJUNTO DEL MOTOR DE ASPIRACIÓN



**VACUUM MOTOR GROUP
CONJUNTO DEL MOTOR DE ASPIRACIÓN**

REF	PART #	DESCRIPTION	QTY.
1	630432	SCREW, HEX M06 X 1.0 X 50	2
2	140000	WASHER, FLAT 1/4	2
3	160426	●HOSE, VAC 1-1/2X15" W/CUFF	1
4	614157	CLAMP, HOSE 27MM TO 51MM	1
▽ 5	601468	●MOTOR, VAC 24V 2-STG	1
▲ 6	190163	●CARBON BRUSH (2/PK)	1
7	601463	BRACKET, VAC MOTOR	1
8	069767164	BOLT, CARRIAGE .25-20X.50	6
9	15678	SCREW, HEX M6X1.0X16	2
10	140016	WASHER, LOCK 0.25	2
11	578427	STANDOFF, TERMINAL	2
12	140016	WASHER, LOCK 0.25	8
13	140259	SCREW, HEX 1/4-20X.62	2
14	605905	●SOLENOID, 24VDC 125A (MAIN)	1
15	606404	●DIODE, ASM W/RING TERMINALS	2
16	32520	NUT, HEX JAM .25-20	4

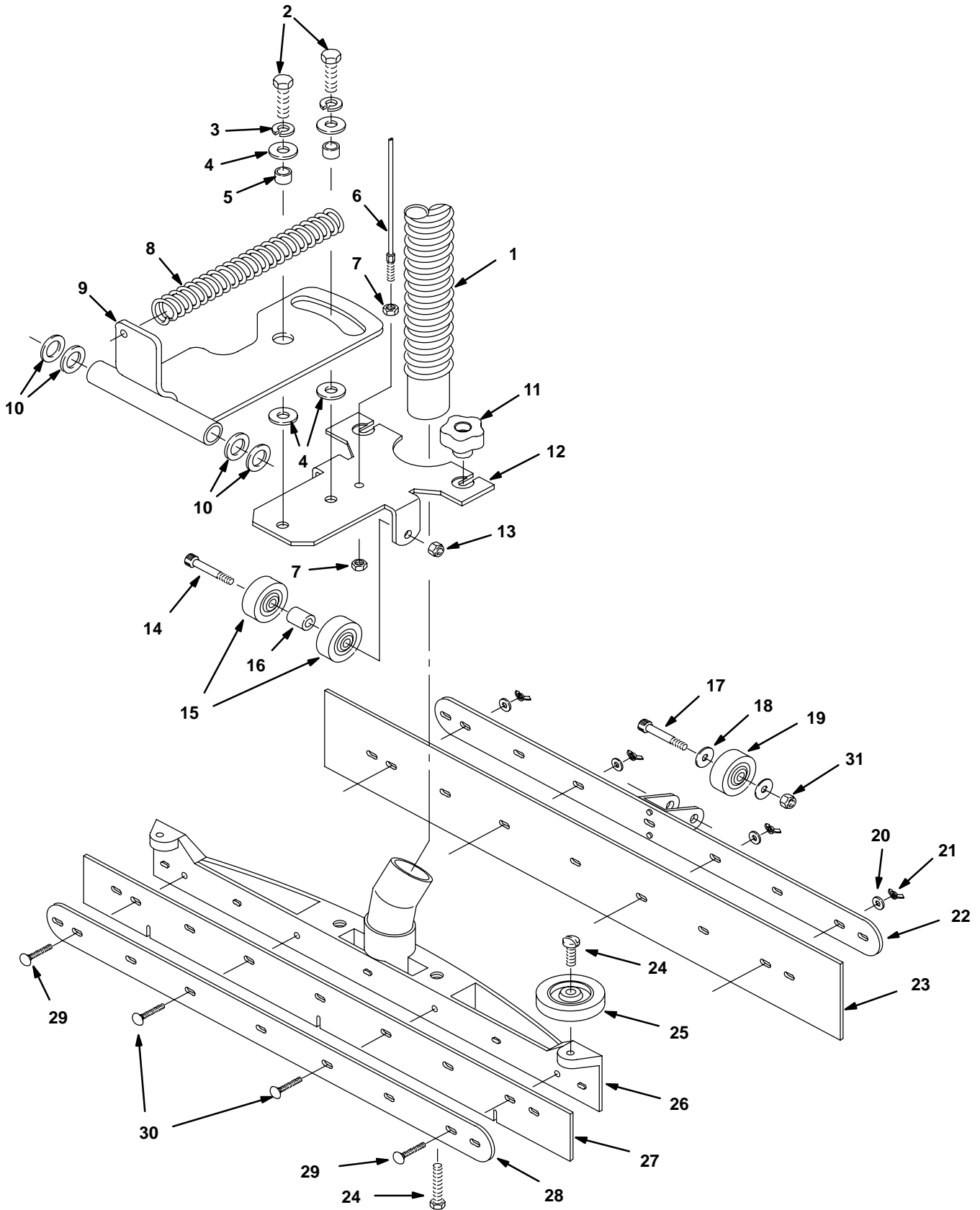
REF	PART #	DESCRIPTION	QTY.
17	610742	●SOLENOID, 24VDC (BRUSH)	1
18	08712	NUT, HEX LOCK M6 X 1.0 NL	2
19	130041	TIE, WIRE 11-1/2 X .19 NY	3
20	600009	MUFFLER, VAC EXHAUST	1
21	160459	●HOSE, VAC 1-1/2X16" BLACK	1
22	019686096	SPACER, 6.4 X 12.7 X 28	2
23	140000	WASHER, FLAT 1/4	6
24	130096	TERMINAL, BLADE MAL .25	1
25	281001014	TERMINAL, RING 1/4 10-12	1
26	140308	CLAMP, HOSE 1-5/16 TO 2-1/4	1
27	140519	NUT, KEP 10-24	2
28	2728.12	SCREW, 6-32X3/4 PAN PHL	2
29	603209	ASM., CABLE W/RED QUICK CHG	1
30	140019	WASHER, LOCK EXT. #06	2
31	606688	BRACKET, BATTERY CONNECTOR	1
32	140887	SCREW, 10-24X3/8 PAN PHL	2

▽ ASSEMBLY / CONJUNTO

▲ INCLUDED IN ASSEMBLY / INCLUIDO EN EL CONJUNTO

● RECOMMENDED STOCK ITEMS / ARTICULOS RECOMENDADOS PARA
MANTENER EN EXISTENCIA

SQUEEGEE GROUP
CONJUNTO PALETA



SQUEEGEE GROUP
CONJUNTO PALETA

REF	PART #	DESCRIPTION	QTY.
1	160617	●HOSE, VAC 1-1/2"X24" W/CUFFS	1
2	140237	SCREW, HEX .50-13X1.00	2
3	140024	WASHER, LOCK 0.50	2
4	140045	WASHER, 0.51B 1.25D .06 FLT	4
5	140139	SLEEVE, 0.625D 0.50B 0.25L	2
6	601428	CABLE, SQUEEGEE	1
7	601476	NUT, 1/4-20 LOCK TWO-WAY	2
8	603149	SPRING, EXT .65 X 5.00 X .069	1
9	601452	BRACKET, SQ. PIVOT	1
10	140047	WASHER, FLAT 1.246 X .754 X .062	4
11	1011094	●KNOB, RND 1.50IN DIA 5 EAR	2
12	601451	BRACKET, SQUEEGEE MOUNT	1
13	601108000	NUT, 5/16-18 HXLCK THIN NY	1
14	603144	BOLT, SHLD .38D X 3.00	1
15	630477	●WHEEL, 2.0D 0.38W POLY GRAY	2
16	603368	SPACER, .39 X .75 X .75 NY	1
▽	605856	ASM., SQUEEGEE GUM RUBBER	1
▲	600187	BOLT, SHLD .38D X 1.25, .31-18	1
▲	140028	WASHER, FLAT .38	2
▲	630477	●WHEEL, 2.0D 0.38W POLY GRAY	1

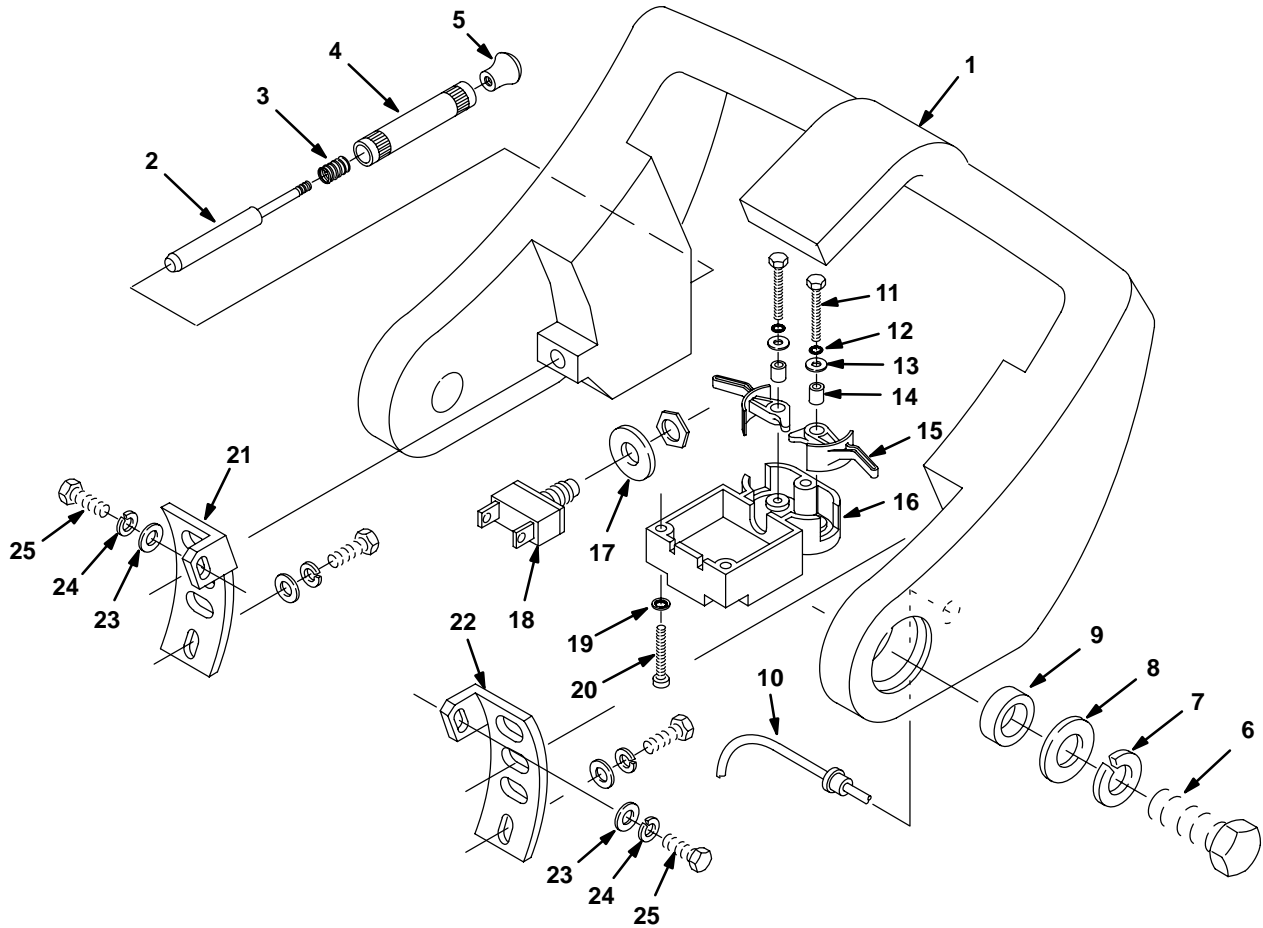
REF	PART #	DESCRIPTION	QTY.
▲	20	140000 WASHER, FLAT 1/4	4
▲	21	140536 NUT, WING .25-20	4
▲	22	601457 STRIP, REAR RETAINER	1
▲	23	601455 ●BLADE, SQ. REAR GUM	1
		601486 ●BLADE, SQ. REAR LINATEX (OPTION)	1
		601488 ●BLADE, SQ. REAR URETHANE (OPTION)	1
▲	24	140799 SCREW, TRS 5/16-18X1.50 PHL	4
▲	25	630450 ●WHEEL, RBR 3"X.88" W/BUSHING	2
▲	26	601450 CASTING, SQUEEGEE	1
▲	27	601454 ●BLADE, SQ. FRONT GUM	1
		601485 ●BLADE, SQ. FRONT LINATEX (OPTION)	1
		601487 ●BLADE, SQ. FRONT URETHANE (OPTION)	1
▲	28	601456 STRIP, FRONT RETAINER	1
▲	29	612184000 BOLT, CARRIAGE .25-20X1.5	2
▲	30	612186000 BOLT, CARRIAGE .25-20X2.5	2
▲	31	601108000 NUT, 5/16-18 HXLCK THIN NY	1

▽ ASSEMBLY / CONJUNTO

▲ INCLUDED IN ASSEMBLY / INCLUIDO EN EL CONJUNTO

● RECOMMENDED STOCK ITEMS / ARTICULOS RECOMENDADOS PARA MANTENER EN EXISTENCIA

CONTROL HANDLE GROUP
MANIJA GRUPO



REF	PART #	DESCRIPTION	QTY.	
1	613359	HANDLE, TEAL	1	
2	601422	PIN, HANDLE LATCH	2	
3	601470	SPRING, CMPR 12.2D 1.0W 25.4L	2	
4	601421	TUBE, HANDLE LATCH	2	
5	601424	KNOB, LATCH	2	
6	601435	SCREW, HXHD M12X30MM	2	
7	140024	WASHER, LOCK	2	
8	140045	WASHER, FLAT	2	
9	1002725	SPACER, 0.875OD 6.504ID 0.62L	2	
10	607109	CORD, 18/2 SVTX27 3/8 SJT	1	
▽	611469	ASM., TRIGGER CONTROL BOX	1	
▲	11	069764190	SCREW, HEX M03X0.5X16	2
▲	12	200662012	WASHER, LOCK	2

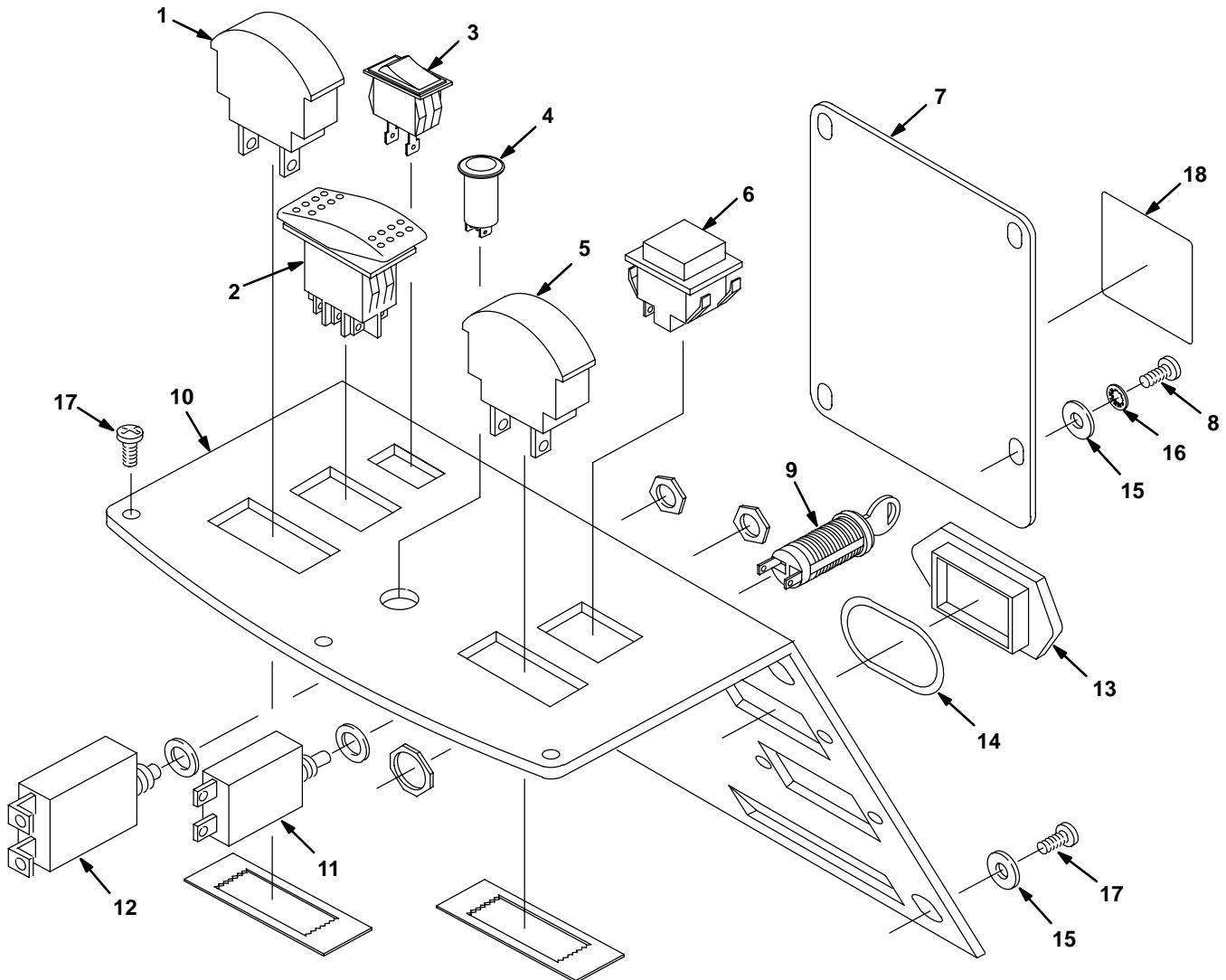
REF	PART #	DESCRIPTION	QTY.	
▲	13	578186000	WASHER, FLAT	2
▲	14	578082000	SPACER	2
▲	15	578002000	ARM, TRIGGER	2
▲	16	601429	CONSOLE, TRIGGER	1
▲	17	578430	WASHER, FLAT	1
▲	18	130712	●SWITCH, PULSE	1
	19	140061	WASHER, #8 EXT	3
	20	578193000	SCREW, PAN M04X0.7X25 PHL	3
	21	601423	BRACKET, LATCH RIGHT	1
	22	601465	BRACKET, LATCH LEFT	1
	23	140027	WASHER, FLAT	4
	24	140015	WASHER, LOCK	4
	25	630425	SCREW, M8X20MM	4

▽ ASSEMBLY / CONJUNTO

▲ INCLUDED IN ASSEMBLY / INCLUIDO EN EL CONJUNTO

● RECOMMENDED STOCK ITEMS / ARTICULOS RECOMENDADOS PARA MANTENER EN EXISTENCIA

CONTROL CONSOLE GROUP
CONJUNTO CONSOLA DE CONTROLES

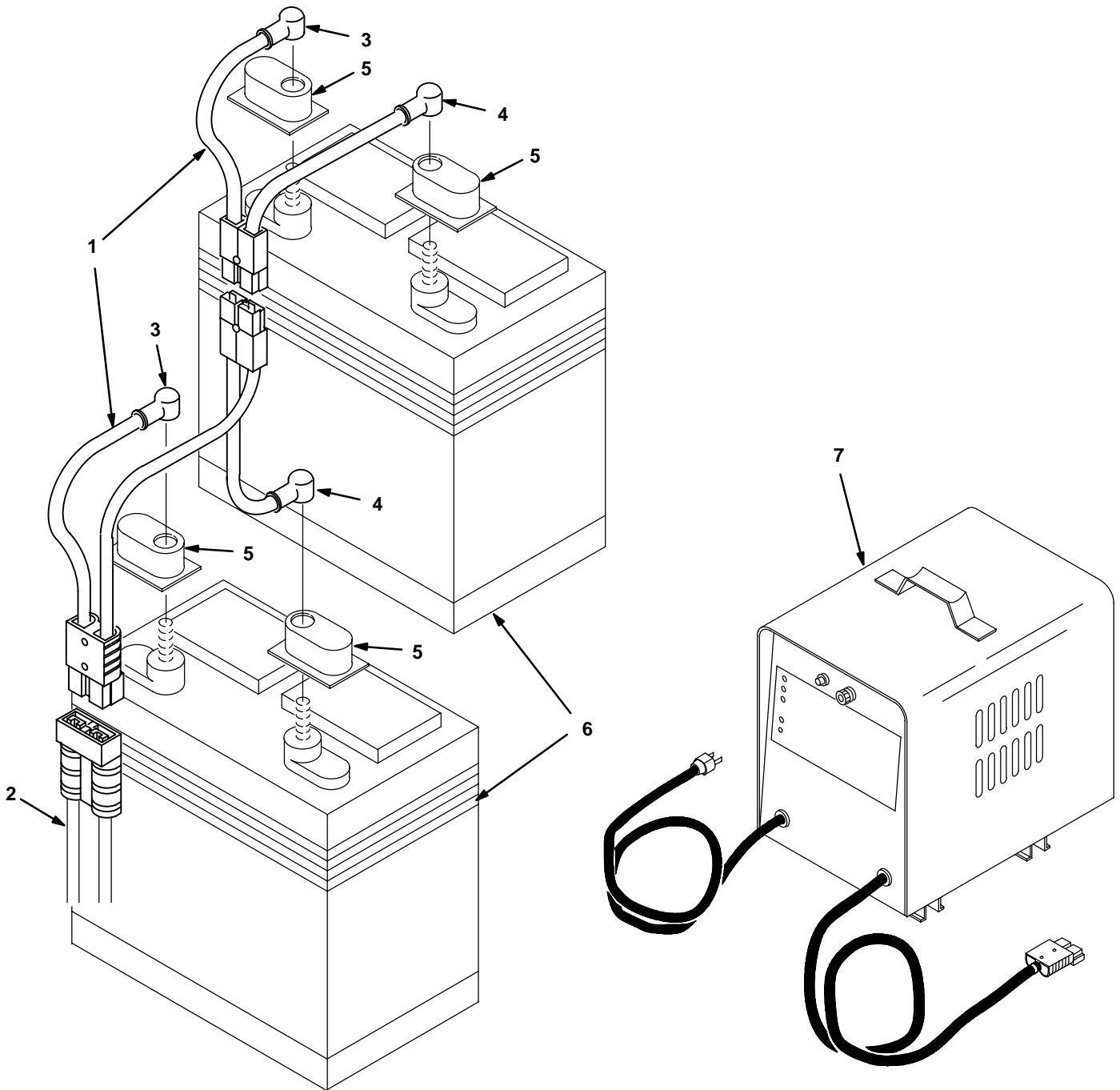


REF	PART #	DESCRIPTION	QTY.
1	130015	●METER, BATTERY VOLTAGE	1
2	608605	●SWITCH, ROCKER 250VAC 10A	1
3	630419	●SWITCH, ROCKER 28VDC SPST	1
4	130738	●LIGHT, INDICATOR GREEN VDC	1
5	603212	●GAUGE, BRUSH PRESSURE	1
6	130441	●SWITCH, PUSH MOMENTARY	1
7	601415	PANEL, COVER	1
8	578141000	SCREW, PAN M5X0.8X10 PHL	2
9	607475	●SWITCH, KEYLOCK 12AMP	1
	607821	●KEY, REPLACEMENT STEEL	1

REF	PART #	DESCRIPTION	QTY.
10	610723	PANEL, CONSOLE BLACK	1
11	130752	●BREAKER, CIRCUIT 20AMP	1
12	602951	●BREAKER, CIRCUIT 35AMP	1
13	609969	PLUG, HOUR METER	2
14	605823	O-RING, .926ID X .996	2
15	140011	WASHER, FLAT 0.18	6
16	140018	WASHER, LOCK INT #10	2
17	1009324	SCREW, PAN PHL 10X1/2 BLK	7
18	606105	LABEL, HAZARD DO NOT SPRAY	1
N/S	608942	HARNESS, WIRE MAIN	1

● RECOMMENDED STOCK ITEMS / ARTICULOS RECOMENDADOS PARA MANTENER EN EXISTENCIA

BATTERY AND CHARGER GROUP
CONJUNTO DE BATERÍA Y CARGADOR



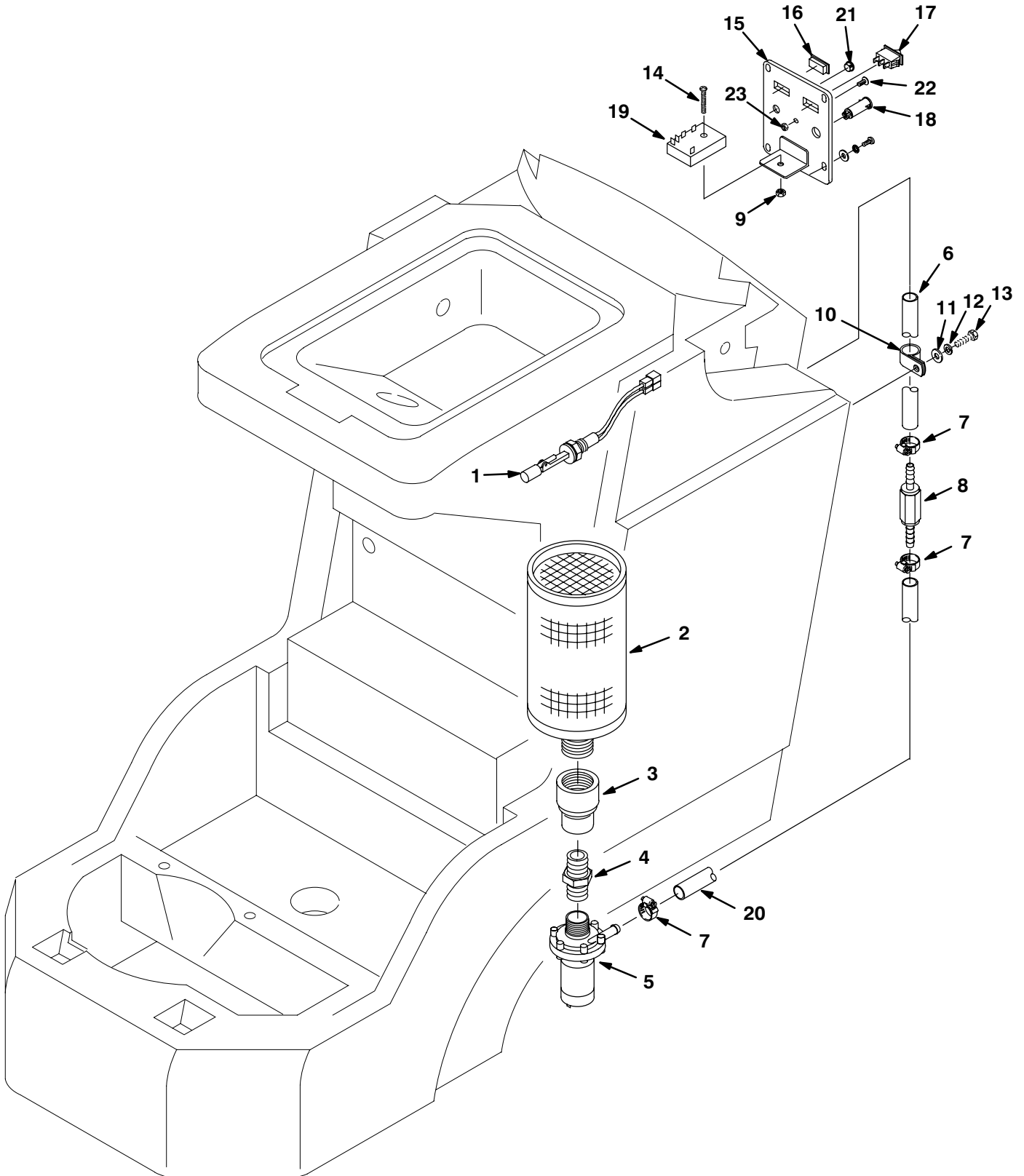
**BATTERY AND CHARGER GROUP
CONJUNTO DE BATERÍA Y CARGADOR**

REF	PART #	DESCRIPTION	QTY.
1	603210	●ASM., CABLE W/RED QUICK CHG	1
2	603209	ASM., CABLE W/RED QUICK CHG	1
3	611221	●BOOT, BATTERY CABLE TERMINAL BLK	2
4	611222	●BOOT, BATTERY CABLE TERMINAL RED	2

REF	PART #	DESCRIPTION	QTY.
5	45962	●CAP, TERMINAL PLASTIC	4
6	130869	●BATTERY, 12V 130AH (WET)	2
	600594	●BATTERY, 12V 130AH (DAMP)	2
7	603553	●CHARGER, BATTERY 24V 15AMP	1

● RECOMMENDED STOCK ITEMS / ARTICULOS RECOMENDADOS PARA
MANTENER EN EXISTENCIA

ES™ (EXTENDED SCRUB) KIT
CONJUNTO DEL SISTEMA ES™



**ES™ (EXTENDED SCRUB) KIT
CONJUNTO DEL SISTEMA ES™**

REF	PART #	DESCRIPTION	QTY.
	603171	●KIT, ES™ & WAND PUMP	1
∇	603172	●KIT, EXTENDED SCRUB (ES™)	1
▲ 1	603166	●SENSOR, LIQUID LEVEL 28VDC	1
▲ 2	578445	●FILTER, SCREEN 100 MESH	1
▲ 3	601484	FITTING, 3/4FX1" F REDUCER PVC	1
▲ 4	630385	FITTING, PLSTC STR PM12/PM12	1
▲ 5	630136	●PUMP, SOL. 24VDC	1
▲ 6	606363	HOSE, 3/8ID X 5/8OD X 13"	1
▲ 7	54333	CLAMP, HOSE WORM 0.33-0.88D	3
▲ 8	210044	●VALVE, CHECK	1
▲ 9	09739	NUT, HEX LOCK M5X0.8 NL	1
▲ 10	140316	CLAMP, CABLE INSULATED 1/2ID	1
▲ 11	140000	WASHER, FLAT 0.25B	1

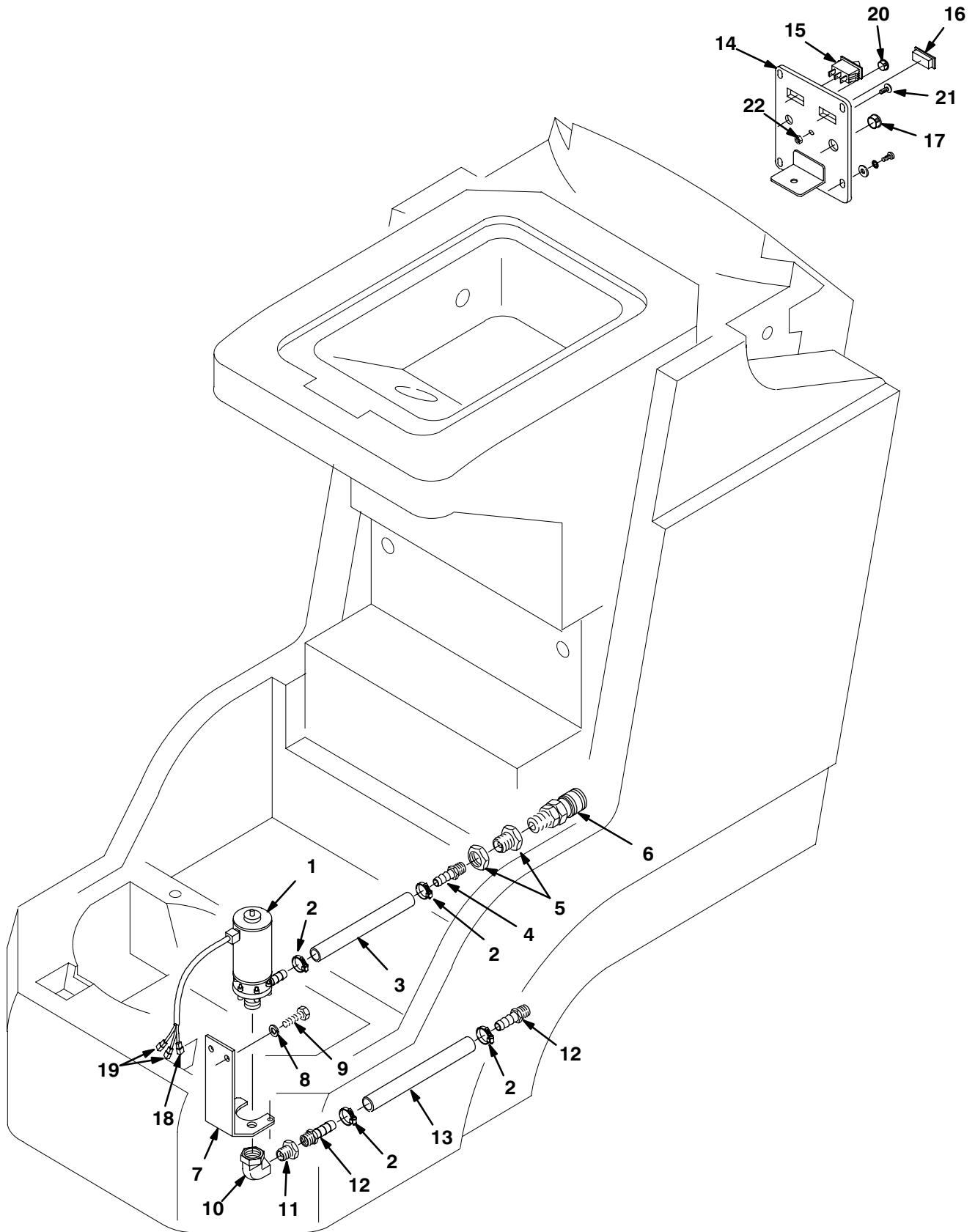
REF	PART #	DESCRIPTION	QTY.
12	140016	WASHER, LOCK 0.25	1
13	608322	SCREW, TRS M6X1.0X16 PHL	1
▲ 14	578008000	SCREW, PAN M5X0.8X30 PHL	1
▲ 15	601416	PANEL, ACCESSORY ES/WAND	1
▲ 16	582150	BUTTON, PLUG ACCESSORY	1
▲ 17	630419	●SWITCH, ROCKER 28VDC SPST	1
▲ 18	130738	LIGHT, INDICATOR VDC GREEN	1
▲ 19	630145	●TIMER	1
▲ 20	606317	HOSE, 3/8ID X 5/8OD X 18"	1
▲ 21	130164	PLUG, DOME 3/8 HOLE BLACK	1
▲ 22	579259	SCREW, PAN M4X0.7X12 PHL	1
▲ 23	02850	NUT, HEX LOCK M4X0.7 NL	1

∇ ASSEMBLY / CONJUNTO

▲ INCLUDED IN ASSEMBLY / INCLUIDO EN EL CONJUNTO

● RECOMMENDED STOCK ITEMS / ARTICULOS RECOMENDADOS PARA
MANTENER EN EXISTENCIA

WAND PUMP KIT
CONJUNTO DE LA BOMBA DEL TUBO



**WAND PUMP KIT
CONJUNTO DE LA BOMBA DEL TUBO**

REF	PART #	DESCRIPTION	QTY.
	603171	●KIT, ES™ & WAND PUMP	1
▽	603173	●KIT, WAND PUMP	1
▲ 1	630136	●PUMP, SOL 24VDC	1
▲ 2	54333	CLAMP, HOSE WORM 0.33-0.88D	4
▲ 3	575501000	HOSE, 3/8ID X 5/8OD X 8"	1
▲ 4	150516	FITTING, BRS STR 04PM/06BM	1
▲ 5	150300	FITTING, BRS STR PF04/PM04	1
▲ 6	608292	QUICK CONN., FML 3/8"X1/4"NPT	1
▲ 7	601479	BRACKET, WAND PUMP	1
▲ 8	140016	WASHER, LOCK	2
▲ 9	200031433	SCREW, HEX M6 X 1.0 X 12	2
▲ 10	630251	FITTING, PIPE E90 PF12/PF12	1

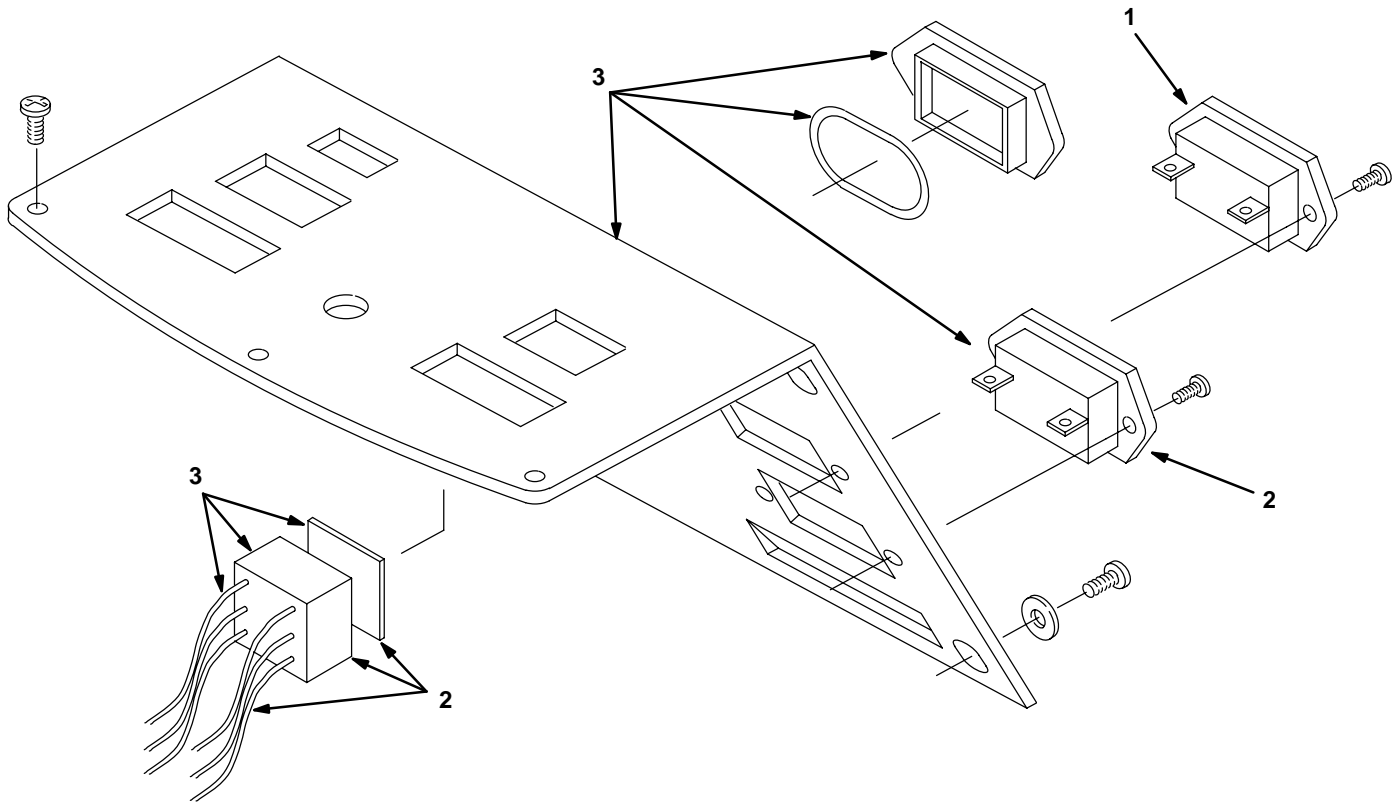
REF	PART #	DESCRIPTION	QTY.
▲ 11	630252	FITTING, BRS PM12/PF06 BUSHING	1
▲ 12	150538	FITTING, PLSTC STR PM06/BM06	2
▲ 13	606325	HOSE, 3/8ID X 5/8OD X 24"	1
▲ 14	601416	PANEL, ACCESSORY ES/WAND	1
▲ 15	630419	●SWITCH, ROCKER 28VDC SPST	1
▲ 16	582150	BUTTON, PLUG, ASSY SWITCH	1
▲ 17	069764626	PLUG, HOLE	1
18	130125	RING, TERMINAL	1
19	130133	TERMINAL, MALE DISCONNECT	2
▲ 20	130164	PLUG, DOME 3/8" HOLE BLACK	1
▲ 21	579259	SCREW, PAN M04 X 0.7 X 12 PHL	1
▲ 22	02850	NUT, HEX LOCK M4 X 0.7 NL	1

▽ ASSEMBLY / CONJUNTO

▲ INCLUDED IN ASSEMBLY / INCLUIDO EN EL CONJUNTO

● RECOMMENDED STOCK ITEMS / ARTICULOS RECOMENDADOS PARA MANTENER EN EXISTENCIA

**HOUR METER AND LOW VOLTAGE INTERRUPTER KITS
CONTADOR DE HORAS Y CONJUNTO DEL INTERRUPTOR DE BAJO VOLTAJE**



REF	PART #	DESCRIPTION	QTY.
1	603174	●KIT, HOUR METER	1
▽ 2	610725	●KIT, LOW VOLTAGE INTERRUPTER	1
▲	603076	●GAUGE, BATTERY 24V	1
▲	603314	●ASM., RELAY 24V	1
▲	610848	ASM., WIRE #18 X 6"	1
▲	610849	ASM., WIRE #18 X 8.5"	1
▲	130040	WIRE TIE NYLON	1

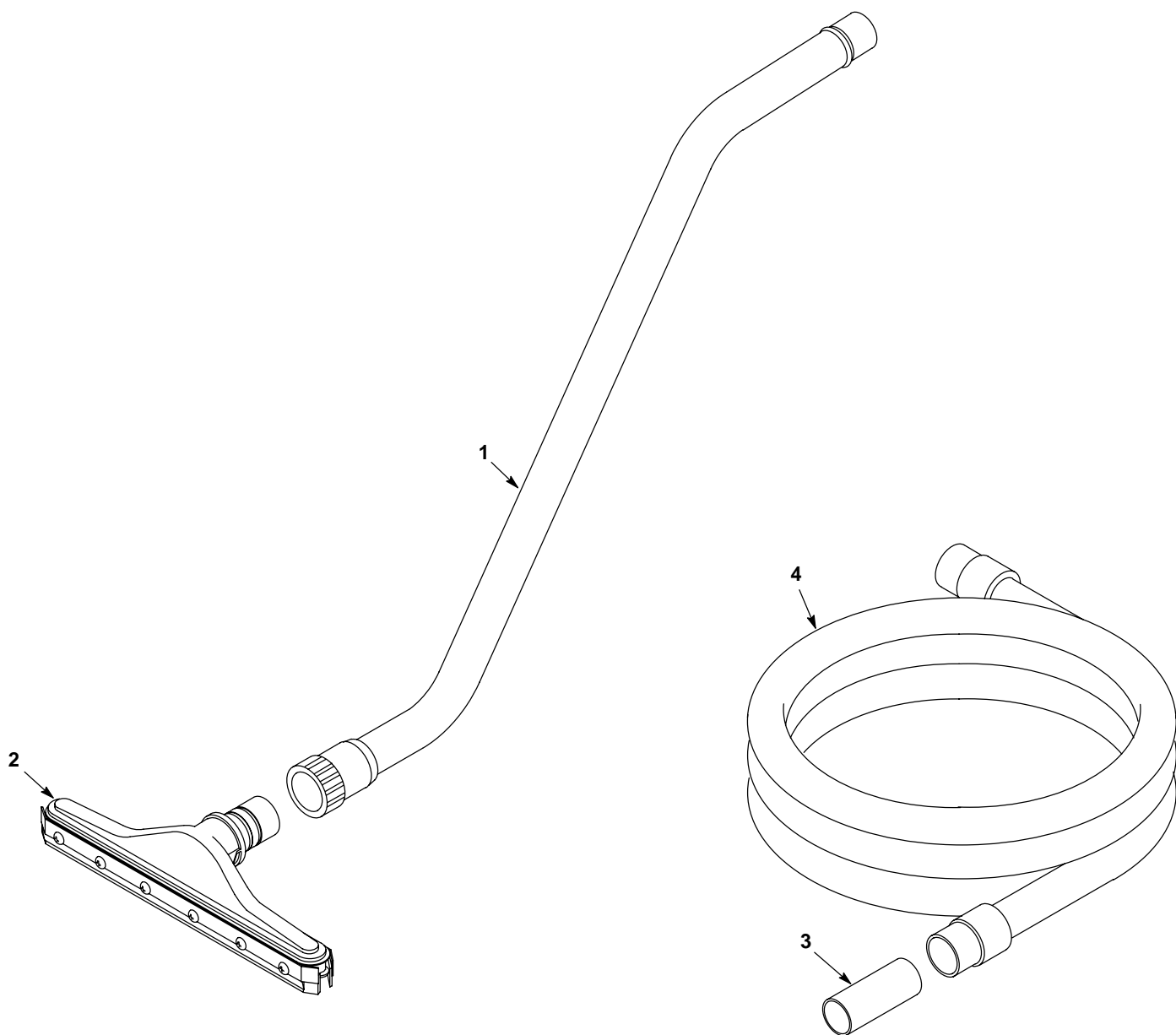
▽ ASSEMBLY / CONJUNTO

▲ INCLUDED IN ASSEMBLY / INCLUIDO EN EL CONJUNTO

● RECOMMENDED STOCK ITEMS / ARTICULOS RECOMENDADOS PARA MANTENER EN EXISTENCIA

REF	PART #	DESCRIPTION	QTY.
▽ 3	610724	●KIT, LOW VOLTAGE INTERRUPTER (FOR MACHINES MANUFACTURED BEFORE AUG. 2000)	1
▲	603076	●GAUGE, BATTERY 24V	1
▲	603314	●ASM., RELAY 24V	1
▲	610848	ASM., WIRE #18 X 6"	1
▲	610849	ASM., WIRE #18 X 8.5"	1
▲	130040	WIRE TIE NYLON	1
▲	609969	PLUG, HOUR METER	1
▲	605823	●O-RING	1
▲	610723	PANEL, CONSOLE BLACK	1

WET PICK-UP TOOL KIT
KIT DE HERRAMIENTA MOJADO



REF	PART #	DESCRIPTION	QTY.
▽	190928	●KIT, WET PICK-UP TOOL	1
▲▽ 1	6108.1	●WAND, TWO BEND ALUMINUM	1
▲	605257	●RING, LOCK BRASS	1
▲	600828	●NUT, WAND COUPLING	1
▲▽ 2	13840	●TOOL, SQUEEGEE PUSH/PULL 14" (355MM)	1
▲	605137	●BLADES, REPLACEMENT (SET/4)	1

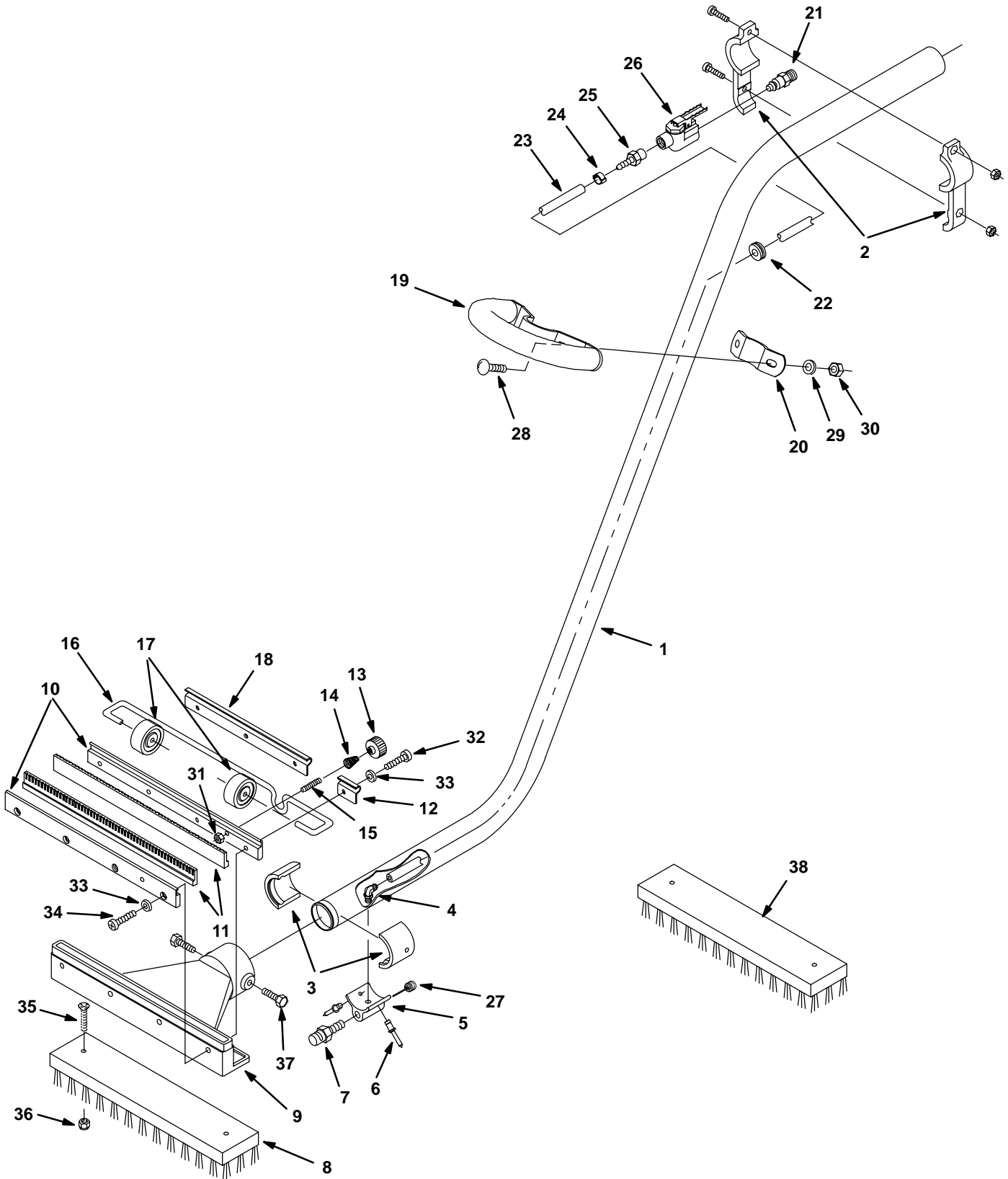
REF	PART #	DESCRIPTION	QTY.
▲ 3	160451	●CONNECTOR, 1-1/2 VAC HOSE	1
▲ 4	160481	●HOSE, VAC 1-1/2X10' (3M)	1

▽ ASSEMBLY / CONJUNTO

▲ INCLUDED IN ASSEMBLY / INCLUIDO EN EL CONJUNTO

● RECOMMENDED STOCK ITEMS / ARTICULOS RECOMENDADOS PARA
MANTENER EN EXISTENCIA

DELUXE POWER WAND GROUP
GRUPO DEL TUBO ELÉCTRICO DELUXE



**DELUXE POWER WAND GROUP
GRUPO DEL TUBO ELÉCTRICO DELUXE**

REF	PART #	DESCRIPTION	QTY.
∇	578905000	●ASM., DELUXE POWER WAND	1
▲ 1	578060000	WAND, DOUBLE BEND	1
▲ 2	578077000	BRACKET, VALVE MOUNTING	1
▲ 3	578061000	ADAPTER, HEAD/WAND	2
▲ 4	578214000	FITTING, 1/8MX1/4H ELBOW 90 NY	1
▲ 5	579112	FITTING, SPRAY NOZZLE ADPTR	1
▲ 6	579198	RIVET, POP	2
▲ 7	578066000	●FITTING, TIP 75° 1/8K-JET BRS	1
▲ 8	578073000	●BRUSH, DECK, POLYPRO BLOCK 4 ROWS NTRL CRIMP POLYSTAR	1
▲ 9	578063000	HEAD, WAND	1
▲ 10	578078000	RETAINER, SQUEEGEE	2
▲ 11	578074000	●BLADE, SQUEEGEE	2
▲ 12	578124000	BRACKET, AXLE 1 HOLE	1
▲ 13	578439	NUT, M6X1.0 THUMB	1
▲ 14	613732	SPRING, CONICAL COMP 15MM	1
▲ 15	578143000	SCREW, SET M6X1.0X40 CUPPT	1
▲ 16	578126000	AXLE, WAND	1
▲ 17	578125000	●WHEEL, RUBBER 41.3D 19.1W	2
▲ 18	578123000	BRACKET, AXLE 3 HOLE	1
▲ 19	578155000	WELDMENT, HANDLE WAND	1

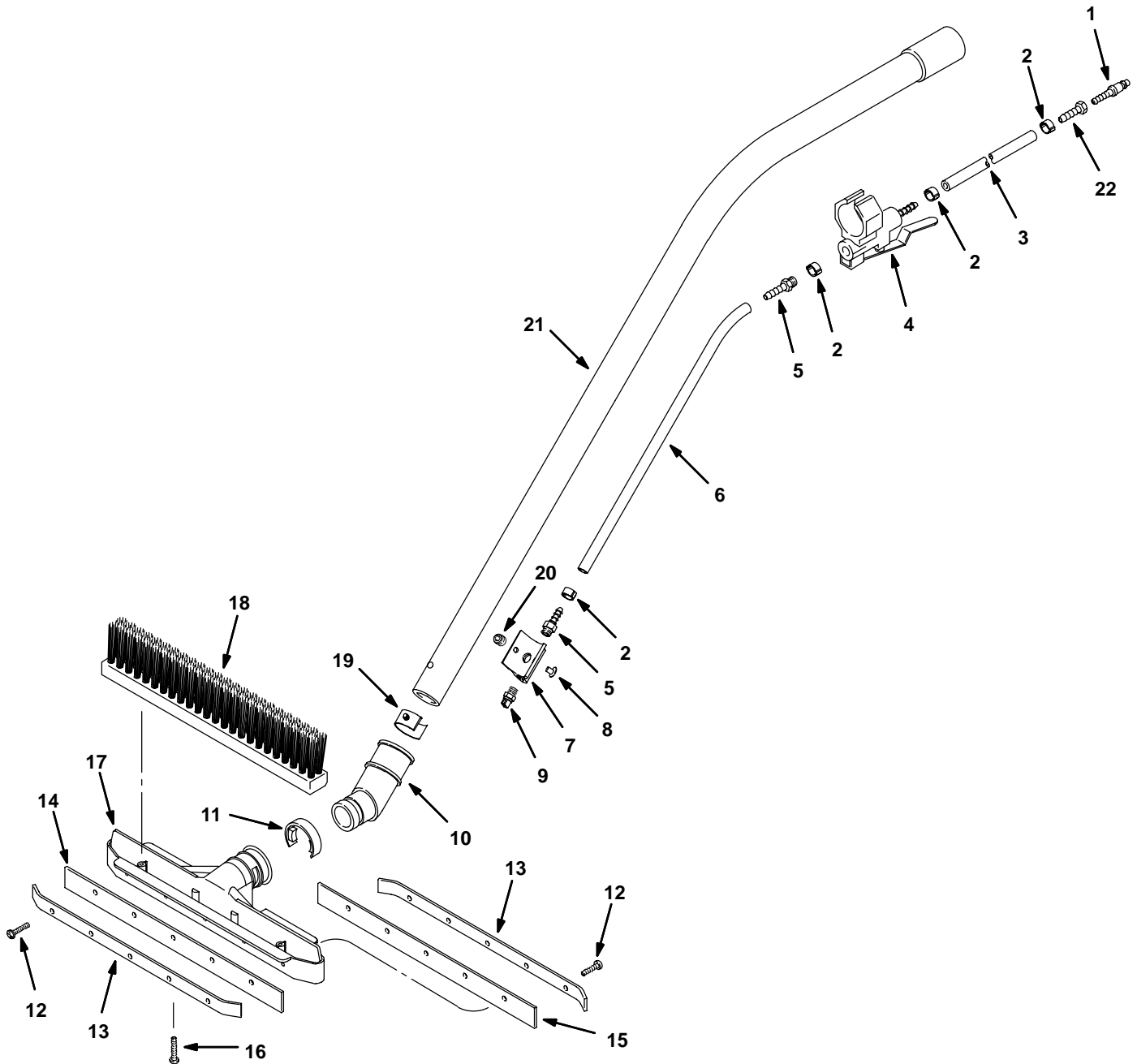
REF	PART #	DESCRIPTION	QTY.
▲ 20	578154000	BRACKET, HANDLE	1
▲ 21	578091000	●FITTING, 1/4M QD CPLR PLUG BR	1
▲ 22	578164000	GROMMET, 0.38ID, 0.62GD, .06GW	1
▲ 23	578821000	●HOSE, SOLUTION 1/4"ID	1
▲ 24	578161000	CLAMP, HOSE 8-11MM EAR	1
▲ 25	578094000	FITTING, 1/4HX1/4NPT BARB	1
▲ 26	578064000	●VALVE, WATER CONTROL	1
▲ 27	150208	FITTING, 1/8M PLUG BRS SKHD	1
▲ 28	20399	BOLT, CARRIAGE .25-20 X 0.75	2
▲ 29	200304017	WASHER, FLAT M6.4 X 13 X 1.6	2
▲ 30	41169	NUT, HEX LOCK .25-20 NL	2
▲ 31	07785	NUT, HEX STD M6 X 1.0	1
▲ 32	578141000	SCREW, PAN M5 X 8.0 X 10 PHL	4
▲ 33	140018	WASHER, LOCK INT #10	8
▲ 34	578144000	SCREW, PAN M5 X 8.0 X 16 PHL	4
▲ 35	578566	SCREW, 4 X 30 FLTPHL	2
▲ 36	140288	NUT, M4 X .7 NYLOCK	2
▲ 37	140885	SCREW, TRS .25-20 X 0.50 PHL	2
38	65582	●BRUSH, SCRUB ABRASIVE NTRL NYLON 80GRIT (OPTIONAL)	1

∇ ASSEMBLY / CONJUNTO

▲ INCLUDED IN ASSEMBLY / INCLUIDO EN EL CONJUNTO

● RECOMMENDED STOCK ITEMS / ARTICULOS RECOMENDADOS PARA
MANTENER EN EXISTENCIA

POWER WAND GROUP
GRUPO DEL TUBO ELÉCTRICO



**POWER WAND GROUP
GRUPO DEL TUBO ELÉCTRICO**

REF	PART #	DESCRIPTION	QTY.
▽	579908	●WAND ASM., POWER	1
▲ 1	578091000	●FITTING, BRS, QDC, PM04 PLUG	1
▲ 2	578160000	CLAMP, HOSE, 11-13MM EAR	4
▲ 3	613536	●HOSE, 1/4ID X .400M	1
▲ 4	579107	●VALVE, WATER FLOW CNTRL	1
▲ 5	150525	FITTING, BRS, STR, PM02/BM04	2
▲ 6	613537	●HOSE, 1/4ID X 1.083M	1
▲ 7	579112	FITTING, SPRAY NOZZLE ADPTR	1
▲ 8	579198	RIVET, POP	2
▲ 9	579137	●FITTING, TIP, 9508 1/8V-JET BRS	1
▲ 10	579113	SWIVEL, WAND ATTACHMENT	1
▲ 11	579132	RING, ATTACHMENT	1

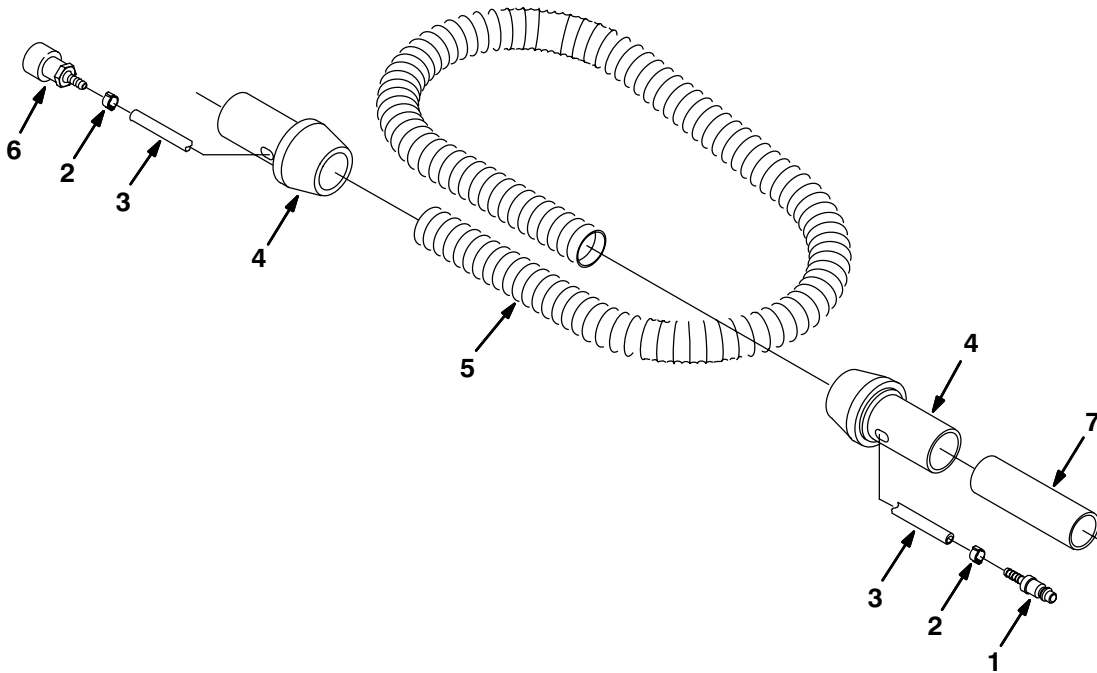
REF	PART #	DESCRIPTION	QTY.
▲ 12	579135	SCREW, SELF TD UNITED	10
▲ 13	579103	RETAINER, WAND BLADE	2
▲ 14	579239	●BLADE, SQUEEGEE, FRONT	1
▲ 15	579230	●BLADE, SQUEEGEE, REAR	1
▲ 16	579147	SCREW, #6X1-1/2 PANHD SLFTPG	2
▲ 17	579101	HEAD, WAND	1
▲ 18	579102	●BRUSH, WAND TWO ROW	1
▲ 19	579187	CLIP, SPRING	1
▲ 20	150208	FITTING, BRS, STR, PM02 PLUG	1
▲ 21	579109	WAND, SINGLE BEND	1
▲ 22	150510	FITTING, BRS, STR, PF04/BM04	1

▽ ASSEMBLY / CONJUNTO

▲ INCLUDED IN ASSEMBLY / INCLUIDO EN EL CONJUNTO

● RECOMMENDED STOCK ITEMS / ARTICULOS RECOMENDADOS PARA
MANTENER EN EXISTENCIA

**POWER WAND HOSE GROUP
CONJUNTO DE LA MANGUERA DEL TUBO ELÉCTRICO**



REF	PART #	DESCRIPTION	QTY.
▽	578903000	●HOSE ASM., POWER WAND	1
▲ 1	578318000	●FITTING, 3/8M X 1/4H QC	1
▲ 2	140325	CLAMP, HOSE 1/2 EAR	2
▲ 3	578820000	HOSE, .25ID, .44OD, 4.0M LG	1
▲ 4	578072000	●CUFF, SWIVEL, 1-1/2 BLACK	2

REF	PART #	DESCRIPTION	QTY.
▲ 5	578276000	HOSE, VAC 1-1/2 X 10' GRAY	1
▲ 6	578071000	●CONNECTOR, QUICK FEMALE	1
▲ 7	231031	TUBE, 1.50"DIA X 5.0"LG	1

▽ ASSEMBLY / CONJUNTO

▲ INCLUDED IN ASSEMBLY / INCLUIDO EN EL CONJUNTO

● RECOMMENDED STOCK ITEMS / ARTICULOS RECOMENDADOS PARA MANTENER EN EXISTENCIA