

FLOOREQUIPMENTPARTS.COM

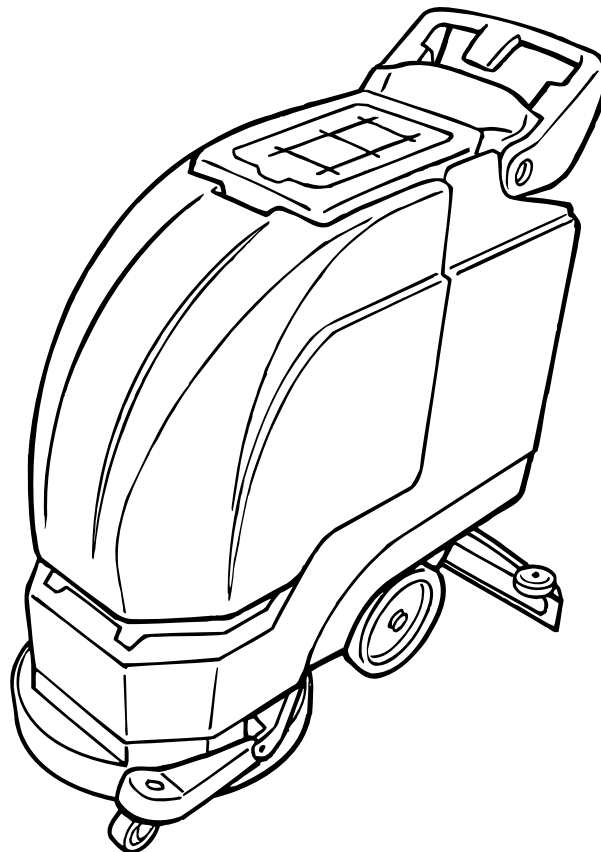


5100

**Automatic Scrubber
Battery**

Model No.:
609139
609140 – Pac

Operator and Parts Manual

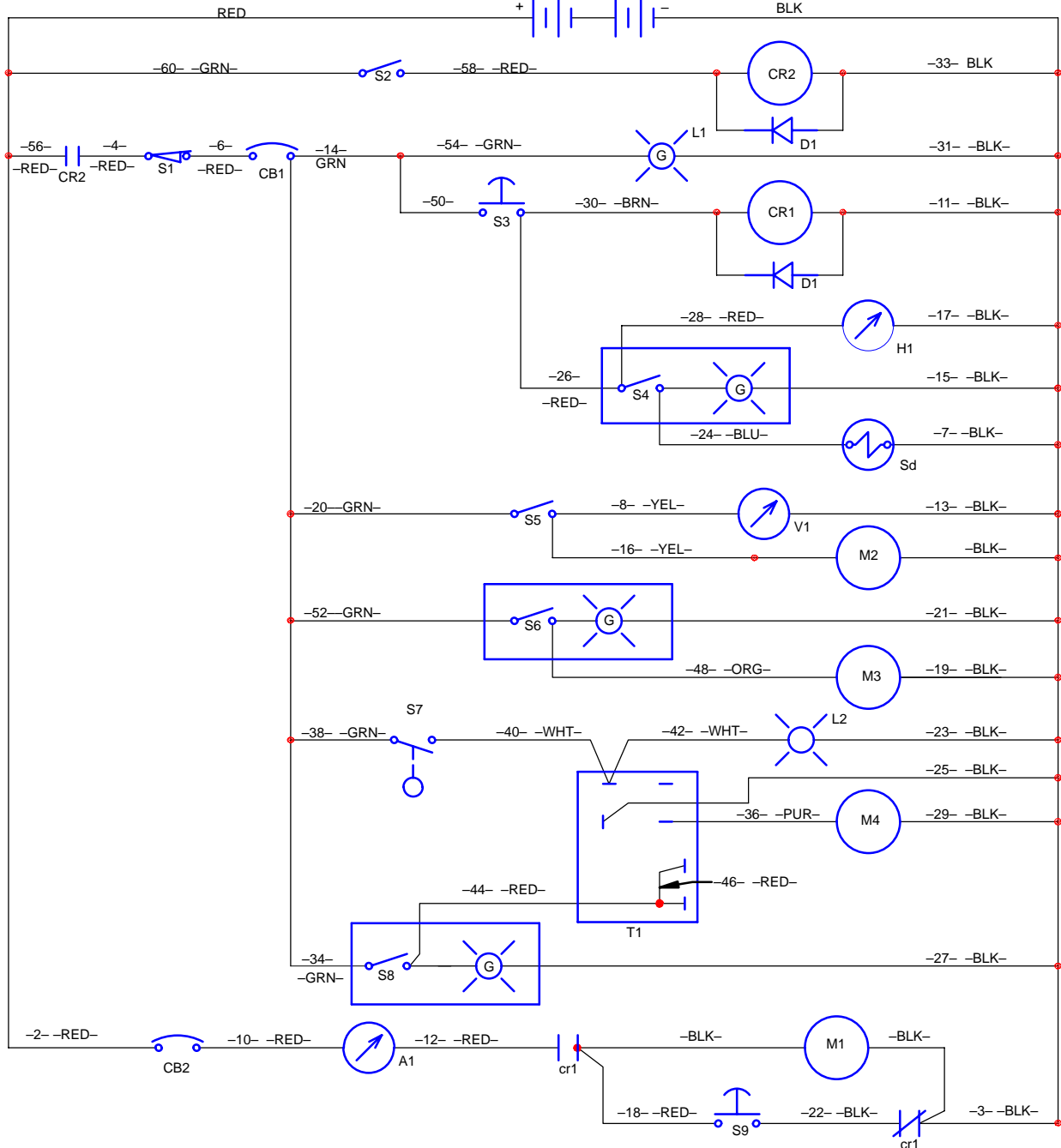


TENNANT COMPANY
Commercial Products
12875 RANSOM STREET
HOLLAND MI 49424 U.S.A.

FAX: 1-800-678-4240
CUSTOMER SERVICE: 1-800-982-7658

609372
Rev. 01 (12-00)

LADDER DIAGRAM



REF LEGEND

RED= Red
 BLK= Black
 GRN= Green
 WHT= White
 ORG= Orange
 BLU= Blue
 BRN= Brown
 PUR= Purple
 YEL= Yellow
 A1= Ammeter
 CR1 = Contactor Coil
 CR2 = Contactor Coil

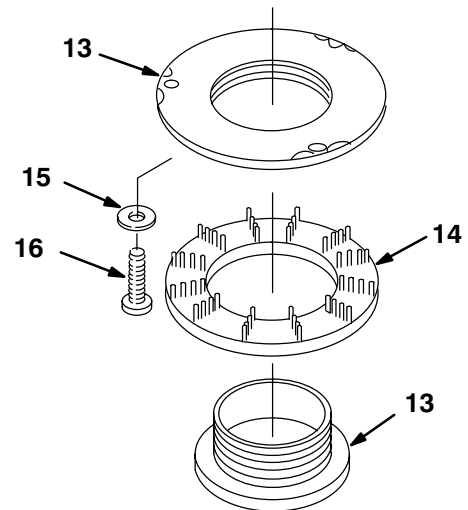
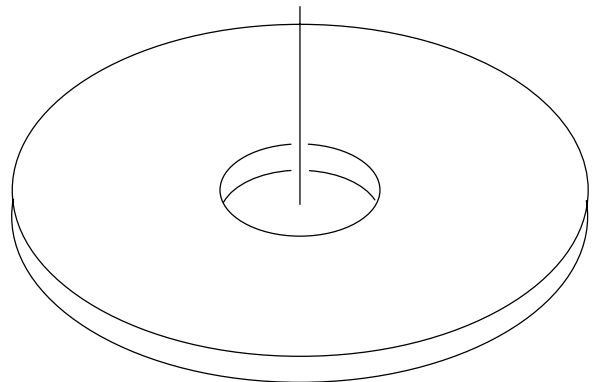
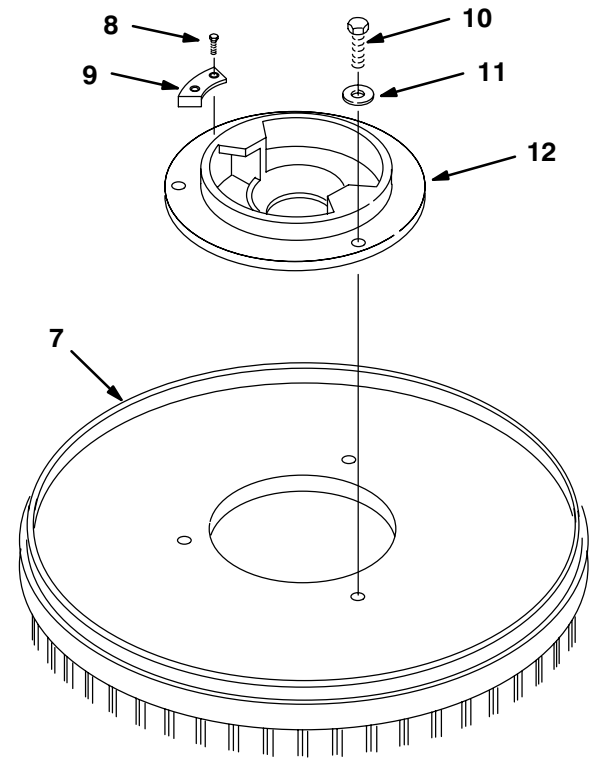
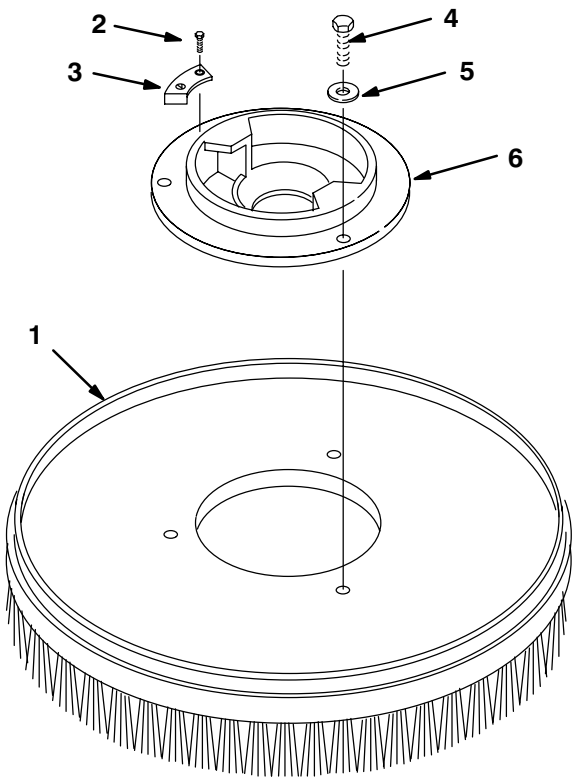
REF LEGEND

cr1= Contactor Relay
 CB1 = Circuit Bkr. Main 20A
 CB2 = Breaker, Circuit 35A
 D1= Diode
 H1= Hourmeter
 L1= Light, Indicator
 L2= Light, Full Tank
 M1= Motor, Brush
 M2= Motor, Vacuum
 M3= Motor, Wand
 M4= Motor, Recycle
 S1= Switch, Chg Cut-off

REF LEGEND

S2= Switch, Key
 S3= Switch, Brush
 S4= Switch, Solution
 S5= Switch, Vacuum
 S6= Switch, Wand
 S7= Switch, Float
 S8= Switch, Recycle
 S9= Switch, Brush Off
 Sd= Valve, Solenoid
 T1= Relay, Timer
 V1= Voltmeter

REPLACEMENT BRUSHES AND PAD DRIVER GROUP



REPLACEMENT BRUSHES AND PAD DRIVER GROUP

REF	PART #	DESCRIPTION	QTY.
▽1	370000	●ASM.,BRUSH 17" NYLON	1
	370002	●ASM., BRUSH 17" GRIT	1
	370007	●ASM., BRUSH 17" POLY	1
▲2	603439	SCREW, #6X5/16	4
▲3	603438	PLATE, WEAR	2
▲4	578580	SCREW, M06X35MM	3
▲5	140000	WASHER, FLAT	3
▲6	601453	●PLATE, CLUTCH	1

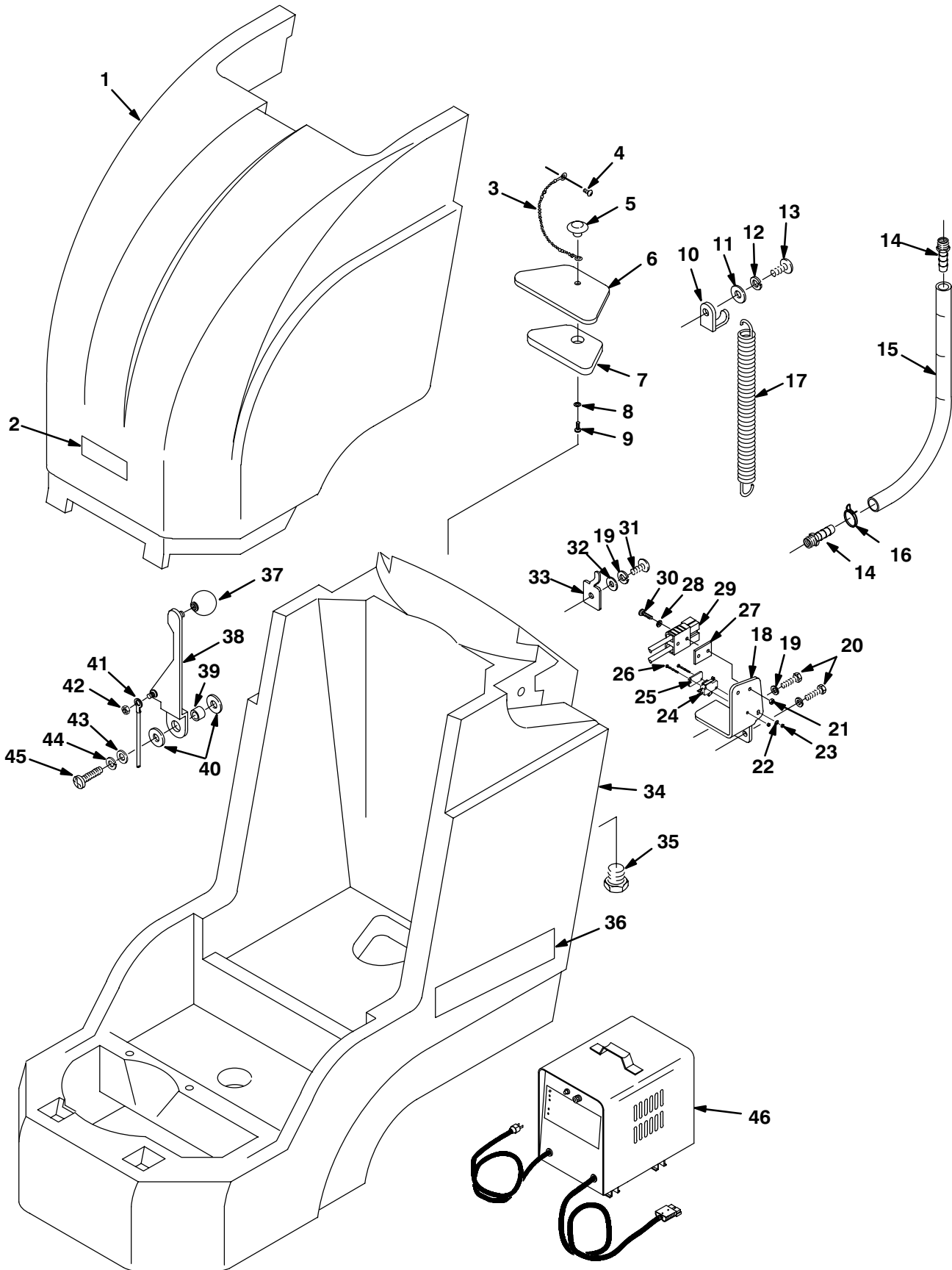
▽ ASSEMBLY

▲ INCLUDED IN ASSEMBLY

● RECOMMENDED STOCK ITEMS

REF	PART #	DESCRIPTION	QTY.
▽7	606227	●ASM., PAD DRIVER 17"	1
▲8	603439	SCREW, #6X5/16	4
▲9	603438	PLATE, WEAR	2
▲10	578580	SCREW, M06X35MM	3
▲11	140000	WASHER, FLAT	3
▲12	601453	●PLATE, CLUTCH	1
▲13	630473	●CENTERLOCK	1
▲14	630472	RETAINER, BRUSH PAD	1
▲15	140007	WASHER, FLAT	3
▲16	200070351	SCREW, M4X.7X25MM	3

SOLUTION TANK GROUP



SOLUTION TANK GROUP

REF	PART #	DESCRIPTION	QTY.
1	609205	COVER, BATTERY, TEAL	1
2	120192	DECAL, TENNANT LOGO	1
3	230513	CHAIN ASSEMBLY	1
4	140825	SCREW, #6X1/2	1
5	578301	KNOB, FILL COVER	1
6	610108	COVER, REAR FILL	1
7	610109	GASKET, COVER	1
8	140018	WASHER, #10 INT	1
9	578201000	SCREW 10-32X.5	1
10	610204	BRACKET, SPRING	1
11	140027	WASHER, FLAT	1
12	140015	WASHER, LOCK	1
13	630425	SCREW, M8X1.25X20	1
14	14884	FITTING 3/8MX1/2H BARB	1
15	610256	HOSE, DRAIN W/LEVEL INDICATOR	1
16	607776	CLAMP, HOSE 2 WIRE BLK	1
17	140423	SPRING, BRUSH PRESSURE	1
18	601466	BRACKET, CHARGE PLUG	1
19	140016	WASHER, LOCK	3
20	608322	SCREW, M6X1.0X16	2
21	140539	NUT	2
22	200301012	WASHER, FLAT	1
23	579211	NUT	2
24	600437	●SWITCH, ROLLER 15A	1
25	601359	PLATE, SWITCH BCKNG	1
26	578403000	SCREW, M3X.5X20	2

● RECOMMENDED STOCK ITEMS

REF	PART #	DESCRIPTION	QTY.
27	603331	SPACER, CHARGER PLUG	1
28	140019	WASHER, LOCK	2
29	605387	●CONNECTOR, RED 50A WO/CONTACTS	1
30	140829	SCREW, 6-32X1	2
31	578187000	SCREW, M6X1.0X12	1
32	140000	WASHER, FLAT	1
33	601460	CLIP, DRAIN HOSE	1
34	610107	TANK, SOLUTION, TEAL	1
	610102	TANK, SOLUTION, TEAL	1
35	630146	PLUG	1
36	609066	DECAL, 5100	2
37	601425	KNOB, SQ. LEVER	1
38	601426	LEVER, SQUEEGEE	1
39	601427	SPACER	1
40	601437	WASHER, NYLON	2
41	601428	CABLE, SQUEEGEE	1
42	601476	NUT	1
43	140055	WASHER, FLAT	1
44	140015	WASHER, LOCK	1
45	630425	SCREW, M8X20MM	1
46	130948	CHARGER, 115V/24VDC 15A	1

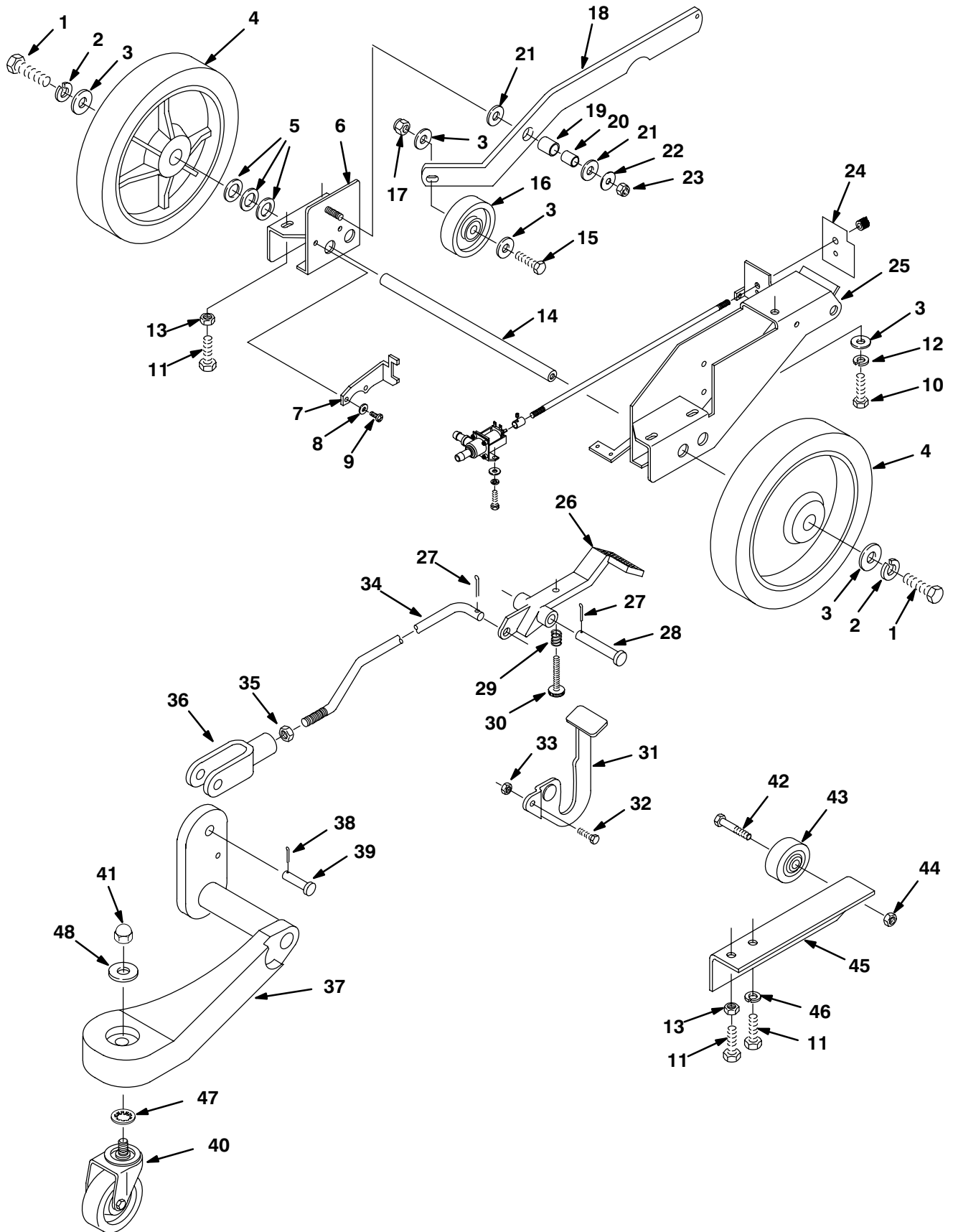
RECOVERY TANK GROUP

REF	PART #	DESCRIPTION	QTY.
1	630055	●COVER, TANK	1
2	630422	DECAL, BATT. CHARGE	1
3	630420	DECAL, FLAMMABLE MAT'L	1
4	630367	●GASKET, REC. TANK	1
5	630056	STRAP, TANK COVER	1
6	630390	WASHER, FLAT	4
7	3701.6	SCREW, #6X3/8	4
8	630255	GASKET, FLOAT MOUNT	1
9	630053	MOUNT, FLOAT CAGE	1
10	140000	WASHER, FLAT	2
11	140016	WASHER, LOCK	3
12	600385	SCREW, M06X16MM	3
13	630052	●FLOAT CAGE W/BALL	1
14	609203	TANK, RECOVERY, TEAL	1
15	140027	WASHER, FLAT	4
16	140015	WASHER, LOCK	4
17	200607491	SCREW, M08X25MM	2
18	603418	NUT	1

● RECOMMENDED STOCK ITEMS

REF	PART #	DESCRIPTION	QTY.
19	605147	WASHER, RUBBER	1
20	609709	SCREW, 5/8-11X1"	1
21	601462	CLAMP	1
22	240177	TUBE, BASE INLET	1
23	621324	PLUG, EXPANSION	1
24	578441	STRAP, DRAIN HOSE	1
25	630394	SLEEVE, DRAIN HOSE	1
26	601459	HOSE, DRAIN 1 1/2X15"	1
27	140308	CLAMP	2
28	630147	PLUG, 3/4 NPT	1
29	601430	TRAY, BATTERY	1
30	601438	SCREW, 3/8-16X5/8	2
31	601439	SPACER	2
32	160485	●ADAPTER, HOSE	1
33	200070382	SCREW, M05X10MM	2
34	601431	STRAP, BATTERY	1
35	140275	SCREW, M08X1.25MM	2
36	601437	WASHER, NYLON	1
37	606105	DECAL, DO NOT SPRAY	1

WHEEL GROUP



WHEEL GROUP

REF	PART #	DESCRIPTION	QTY.
1	140201	SCREW, 3/8-16X3/4	2
2	140017	WASHER, LOCK	2
3	140028	WASHER, FLAT	5
4	605970	●WHEEL	2
5	140047	WASHER	3
6	601447	MOUNT, AXLE	1
7	601474	BRACKET, FILTER	1
8	140016	WASHER, LOCK	2
9	608322	SCREW M6X1.0X16	2
10	140276	SCREW, M10X1.5X16MM	3
11	200607491	SCREW, M8X1.25X25MM	3
12	140333	WASHER, LOCK	3
13	200101017	NUT	2
14	601448	AXLE	1
15	140256	SCREW, 3/8-16X2 1/2	1
16	601469	●WHEEL	1
17	140515	NUT	1
18	601458	MOUNT, WHEEL BRUSH	1
19	630188	BEARING	1
20	630189	SLEEVE, BEARING	1
21	630447	WASHER, NYLON	2
22	140055	WASHER, FLAT	1
23	200160017	NUT, LOCK	1
24	601491	DECAL, SOLUTION CONTROL	1

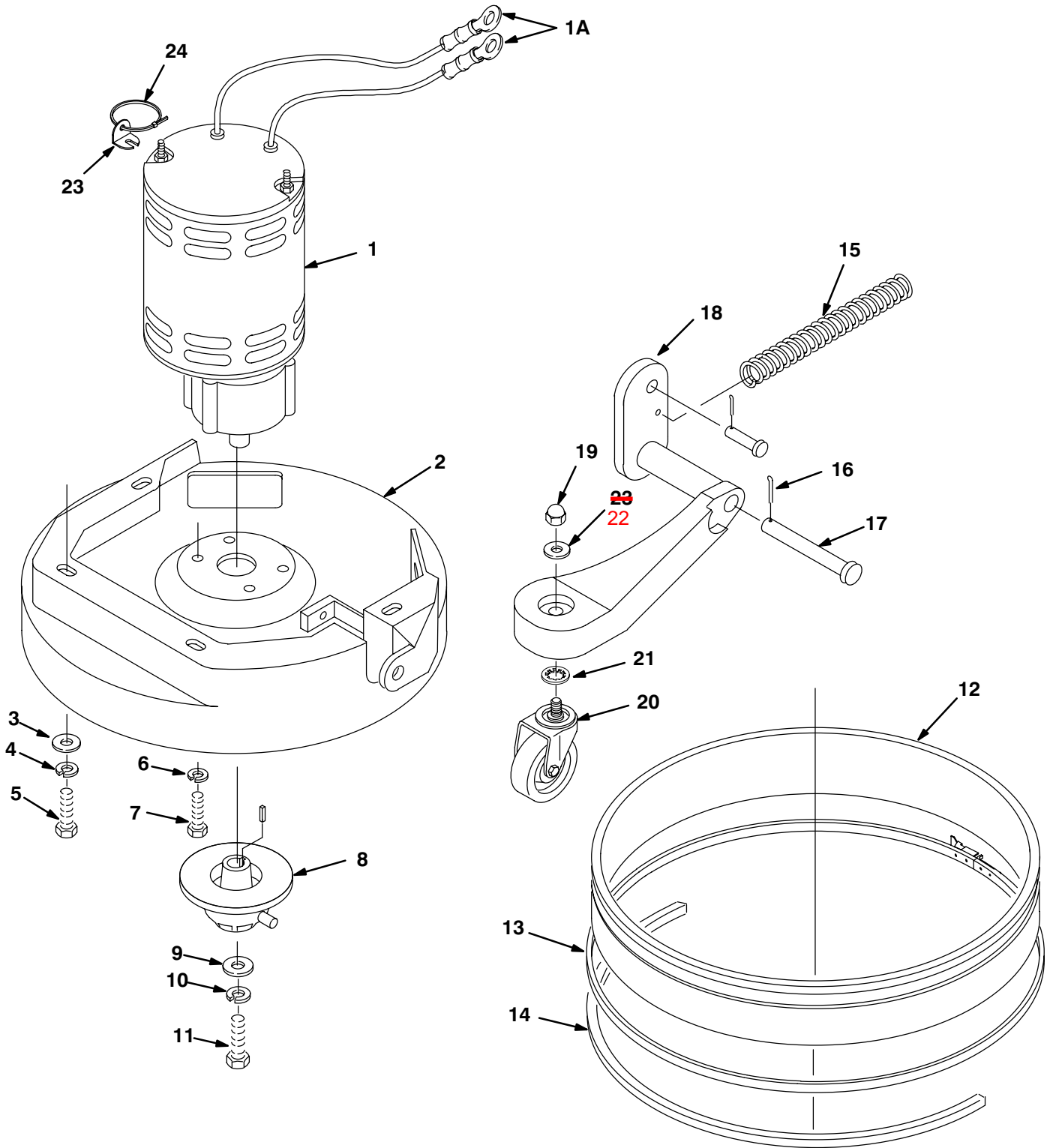
REF	PART #	DESCRIPTION	QTY.
25	601446	MOUNT, AXLE PEDAL	1
26	601444	PEDAL HEAD LIFT	1
27	140630	PIN, COTTER	2
28	601471	PIN, CLEVIS	1
29	578140000	SPRING	1
30	603145	KNOB	1
31	601445	PEDAL, LATCH RELEASE	1
32	140275	SCREW, M8X1.25X16MM	1
33	200160017	NUT	1
34	601442	ROD, CASTER MOUNT	1
35	578242000	NUT	1
36	578085000	YOKE, ADJUSTMENT	1
37	601441	MOUNT, CASTER	1
38	612254000	PIN, HAIRPIN	1
39	140608	PIN, CLEVIS	1
40	601443	●CASTER, SWIVEL	1
41	3058	NUT	1
42	630478	SCREW, SHOULDER	1
43	630477	●WHEEL, 2"	1
44	601108000	NUT, LOCK	1
45	604323	BRACKET, STOP	1
46	140015	WASHER, LOCK	2
47	140029	WASHER, INT. TOOTH	1
48	3148.816	WASHER, FLAT	1

▽ ASSEMBLY

▲ INCLUDED IN ASSEMBLY

● RECOMMENDED STOCK ITEMS

SCRUB HEAD GROUP



SCRUB HEAD GROUP

REF	PART #	DESCRIPTION	QTY.
▽1	601499	●MOTOR, BRUSH 24VDC	1
▲	603638	●CARBON BRUSH (4/PK)	4
▲	630609	GEARBOX	1
▲	140632	KEY	1
1A	130111	TERMINAL, RING	2
2	601440	HEAD CASTING	1
3	140028	WASHER, FLAT	4
4	140333	WASHER, LOCK	4
1011584	140276	SCREW, M10X1.5X16MM	4
6	140017	WASHER, LOCK	4
7	140202	SCREW, 3/8-16X1	4
8	601449	HUB, BRUSH DRIVE	1
9	069764631	WASHER, FLAT	1
10	140015	WASHER, LOCK	1

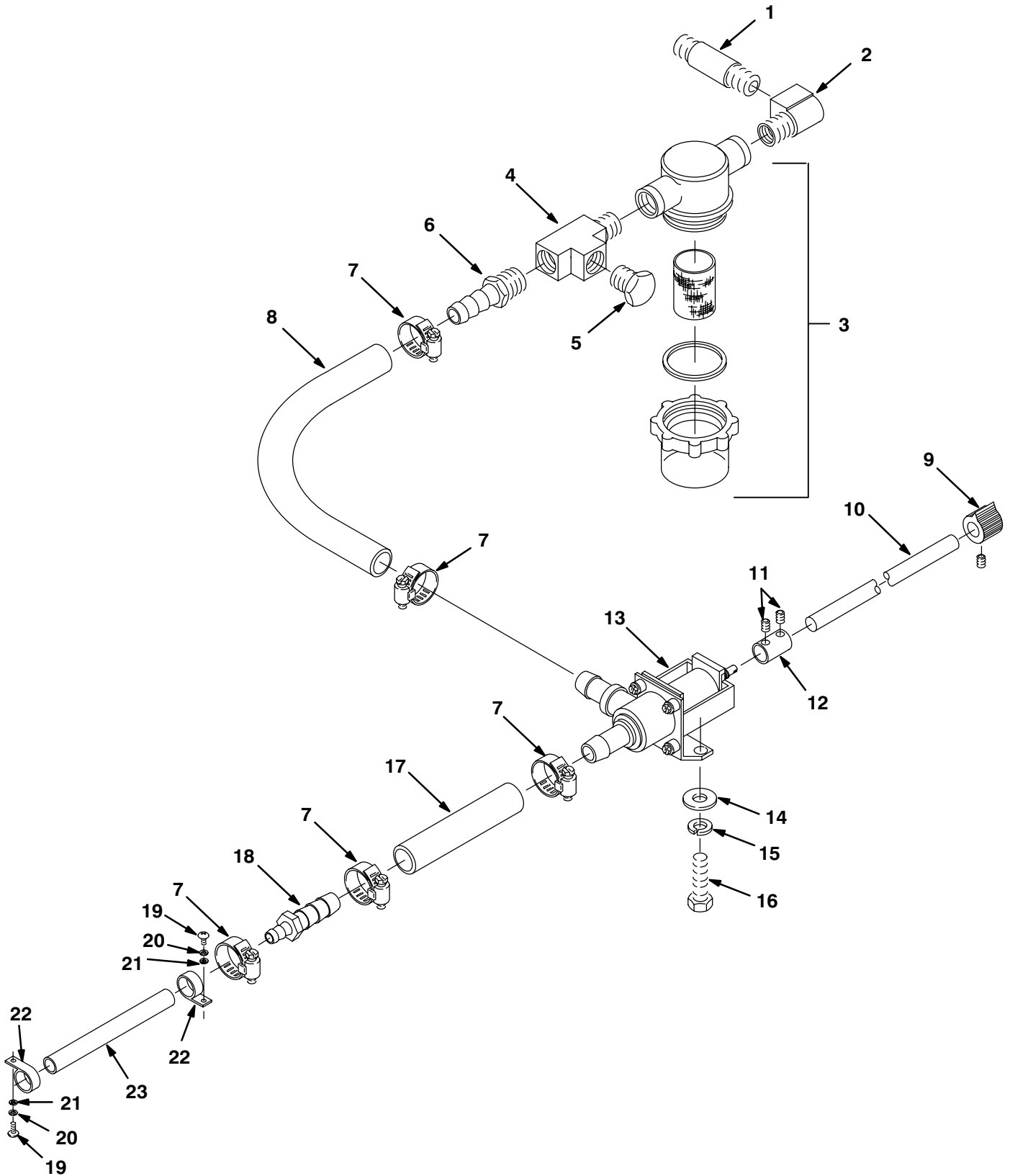
REF	PART #	DESCRIPTION	QTY.
11	140219	SCREW, 5/16-18X1	1
12	601493	●SKIRT, SPLASH GUARD	1
13	601495	ASM., SKIRT BAND	1
14	604744	BUMPER, EXTRUSION 30"	1
15	603148	SPRING	1
16	612254000	PIN, HAIRPIN	1
17	069764083	PIN, CLEVIS	1
18	606537	MOUNT, CASTER	1
19	3058	NUT	1
20	601443	CASTER, SWIVEL	1
21	140029	WASHER, INT. TOOTH	1
22	3148.816	WASHER, FLAT	1
23	608943	BRACKET, WIRE TIE	1
24	130041	WIRE TIE	1

▽ ASSEMBLY

▲ INCLUDED IN ASSEMBLY

● RECOMMENDED STOCK ITEMS

PLUMBING GROUP



PLUMBING GROUP

REF	PART #	DESCRIPTION	QTY.
1	601489	FITTING, NIPPLE	1
2	150420	ELBOW, STREET 3/8 90°	1
3	601475	●SCREEN, FILTER	1
4	601483	TEE, STREET 3/8 NPT	1
5	630146	PLUG, 3/8 NPT	1
6	14884	HOSE BARB	1
7	140310	CLAMP	5
8	630379	TUBING, VINYL, 1/2 ID X 8.25"	1
9	626121	KNOB, WATER VALVE	1
10	601473	ROD, WATER VALVE	1
11	069762095	SCREW, SET 10-24X.25	2
12	601472	COUPLING	1

REF	PART #	DESCRIPTION	QTY.
13	630022	●VALVE, SOLENOID 24VDC	1
14	140000	WASHER, FLAT	2
15	140016	WASHER, LOCK	2
16	140272	SCREW, M6X1.0X16MM	2
17	069760725	TUBING, VINYL, 1/2 ID X 3.25"	1
18	630164	FITTING, STREET	1
19	579259	SCREW, M04X12MM	2
20	140023	WASHER, LOCK	2
21	200301014	WASHER, FLAT	2
22	140328	CLAMP	2
23	578569	HOSE, 1/4 ID X 4.5"	1

● RECOMMENDED STOCK ITEMS

VACUUM MOTOR GROUP

REF	PART #	DESCRIPTION	QTY.
1	630432	SCREW, M06X50MM	2
2	140000	WASHER, FLAT	6
3	160426	●HOSE, VAC 1.5X15"	1
4	140307	CLAMP	1
▽5	601468	●MOTOR, VAC 24V 2-STG	1
▲6	190163	●CARBON BRUSH (2/PK)	2
7	601463	BRACKET, VAC MOTOR	1
8	069767164	SCREW, .25-20X.50	6
9	140272	SCREW, M6X1.0X16MM	2
10	140016	WASHER, LOCK	2
11	578427	TERMINAL, STANDOFF	2
12	140016	WASHER, LOCK	8
13	140259	SCREW, 1/4-20X5/8	2
14	605905	●CONTACTOR, MAIN 24V	1
15	606404	●DIODE, 400V/6.0A	2
16	140510	NUT	4

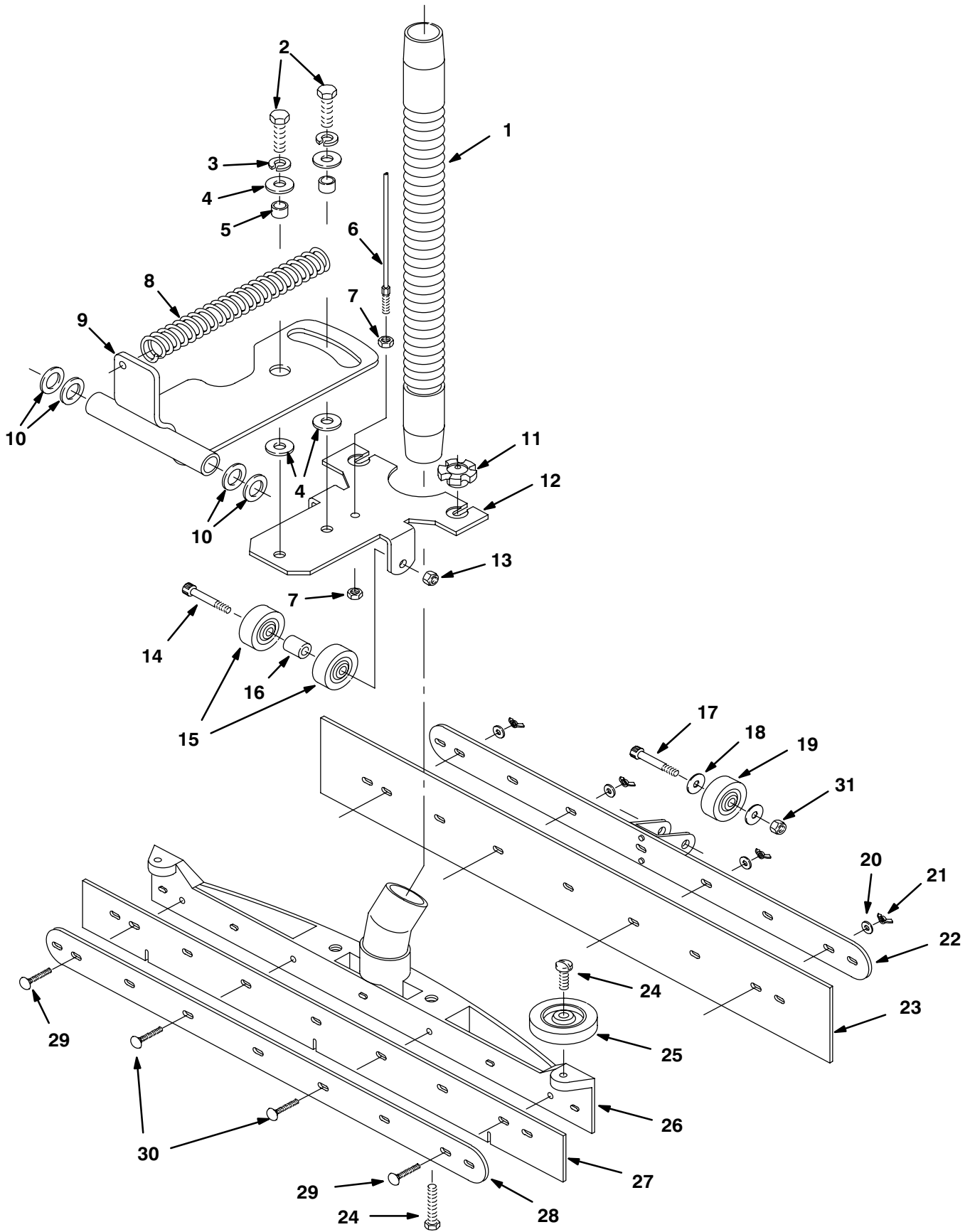
REF	PART #	DESCRIPTION	QTY.
17	610742	●CONTACTOR, BRUSH 24V	1
18	140284	NUT	2
19	130041	WIRE TIE	3
20	600009	MUFFLER, VAC EXHAUST	1
21	160459	●HOSE, VAC 1.5X16"	1
22	019686096	SPACER	2
23	140000	WASHER, FLAT	4
24	130096	TERMINAL	1
25	281001014	TERMINAL, RING	1
26	140308	CLAMP	1
27	140519	NUT, KEP	2
28	140831	SCREW, 6-32X5/8	2
29	603209	ASM., CABLE W/RED QUICK CHG	1
30	140019	WASHER, EXT.	2
31	606688	BRACKET, BATTERY CONNECT	1
32	140887	SCREW, 10-24X3/8	2

▽ ASSEMBLY

▲ INCLUDED IN ASSEMBLY

● RECOMMENDED STOCK ITEMS

SQUEEGEE GROUP



SQUEEGEE GROUP

REF	PART #	DESCRIPTION	QTY.
1	160617	●HOSE, VAC W/CUFFS	1
2	140237	SCREW, 1/2-13X1	2
3	140024	WASHER, LOCK	2
4	140045	WASHER, FLAT	4
5	140139	BUSHING	2
6	601428	CABLE, SQUEEGEE	1
7	140524	NUT	2
8	603149	SPRING	1
9	601452	BRACKET, SQ. PIVOT	1
10	140047	WASHER, FLAT	4
11	605361	●KNOB	2
12	601451	BRACKET, SQ. MOUNT	1
13	601108000	NUT	1
14	603144	SCREW, 3/8X3	1
15	630477	●WHEEL	2
16	603368	SPACER	1
▽	605856	ASM., SQUEEGEE COMPLETE	1
▲17	600187	SCREW, 3/8X1 1/4	1

REF	PART #	DESCRIPTION	QTY.
▲18	140028	WASHER, FLAT	2
▲19	630477	●WHEEL	1
▲20	140000	WASHER, FLAT	4
▲21	140536	NUT, WING	4
▲22	601457	STRIP, REAR RETAINER	1
▲23	601455	●BLADE, SQ. REAR	1
	601486	●BLADE, SQ. LINATEX (OPTION)	1
	601488	●BLADE, SQ. URETHANE (OPTION)	1
▲24	140799	SCREW, 5/16-18X1 1/2	4
▲25	630450	●WHEEL	2
▲26	601450	CASTING, SQUEEGEE	1
▲27	601454	●BLADE, SQ. FRONT	1
	601485	●BLADE, SQ. LINATEX (OPTION)	1
	601487	●BLADE, SQ. URETHANE (OPTION)	1
▲28	601456	STRIP, FRONT RETAINER	1
▲29	612184000	SCREW, .25-20X1.5	2
▲30	612186000	SCREW, .25-20X2.5	2
▲31	601108000	NUT	1

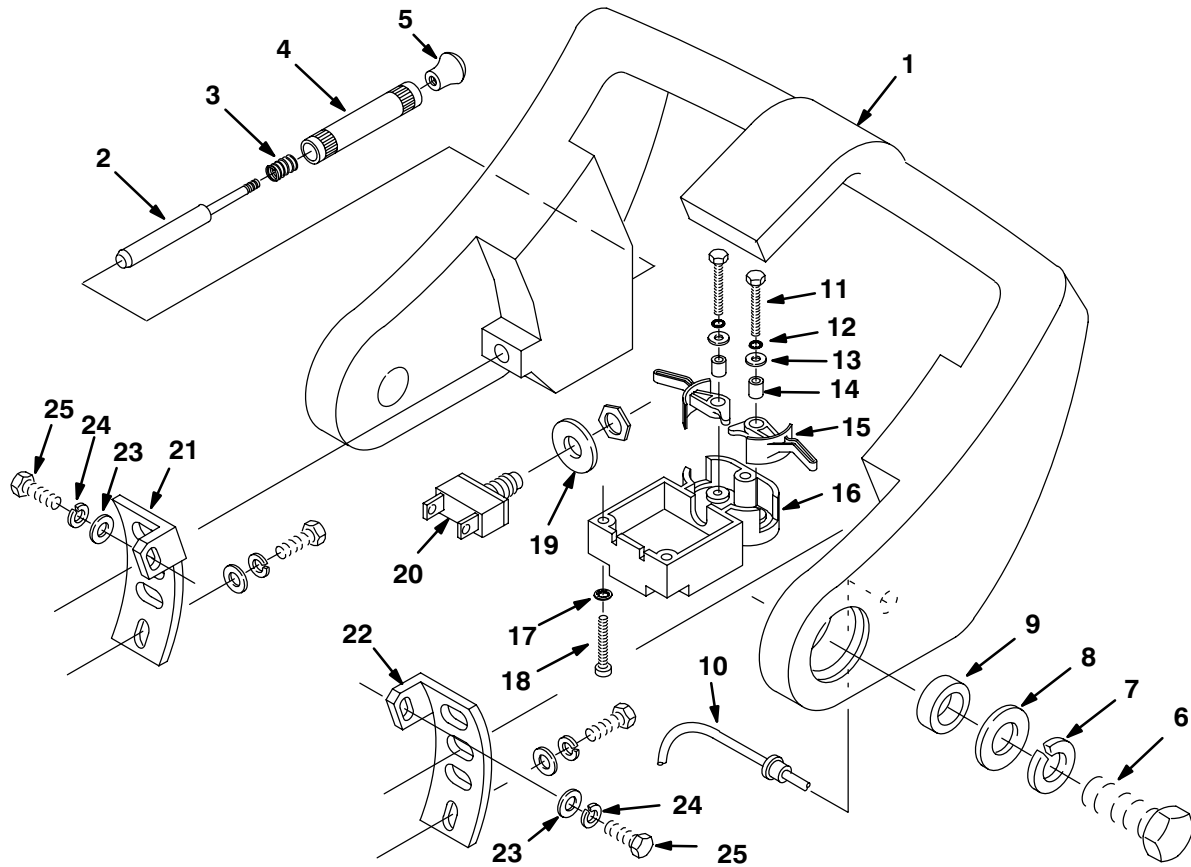
▽ ASSEMBLY

▲ INCLUDED IN ASSEMBLY

● RECOMMENDED STOCK ITEMS

PARTS LIST

CONTROL HANDLE GROUP

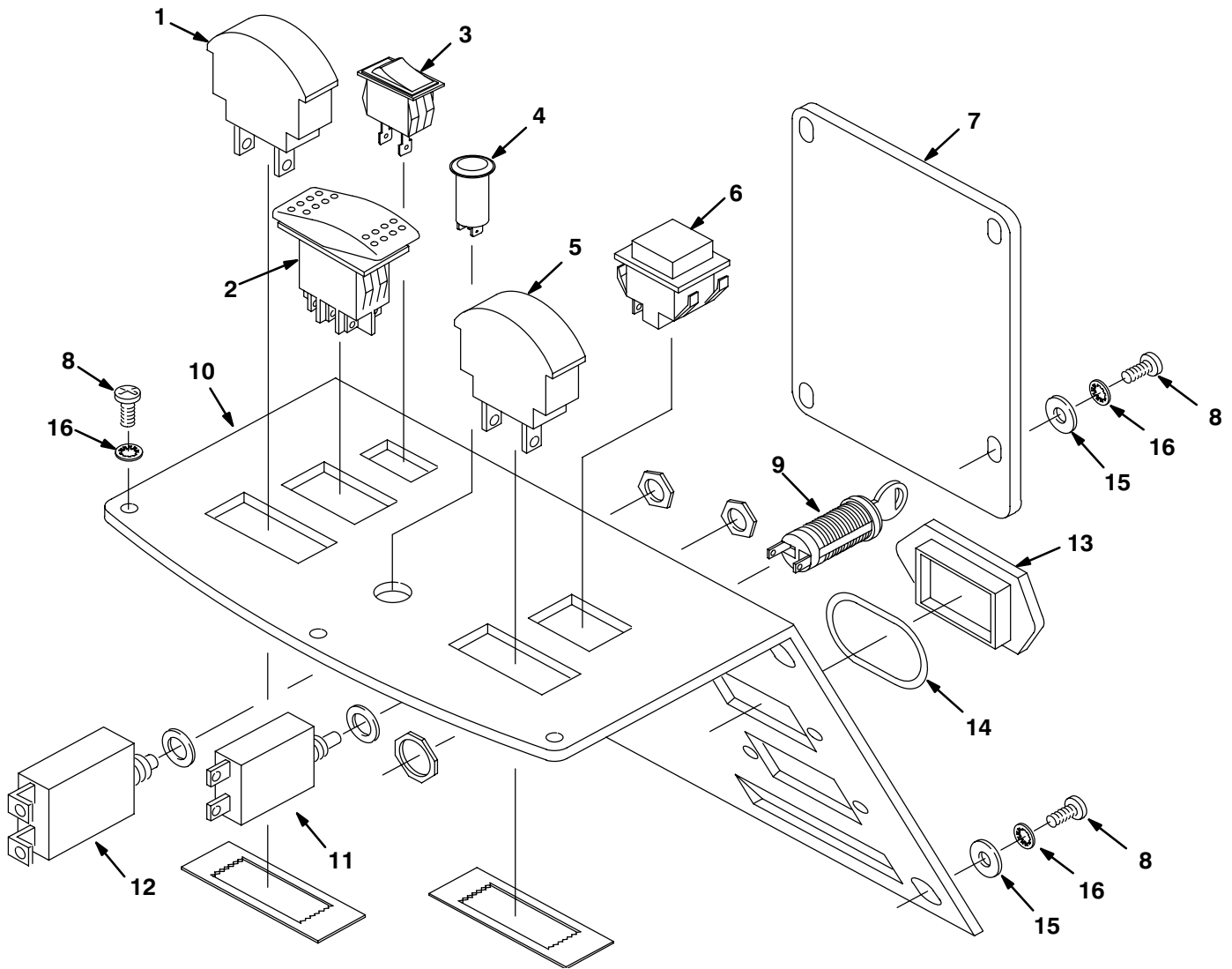


REF	PART #	DESCRIPTION	QTY.
1	609207	HANDLE, TEAL	1
2	601422	PIN, HANDLE LATCH	2
3	601470	SPRING	2
4	601421	TUBE, HANDLE LATCH	2
5	601424	KNOB	2
6	601435	SCREW, M12X30MM	2
7	140024	WASHER, LOCK	2
8	140045	WASHER, FLAT	2
9	601434	SPACER	2
10	607109	CORD, 18/2 SVTX24 3/8	1
11	069764190	SCREW, M03X16MM	2
12	200662012	WASHER, LOCK	2
13	578186000	WASHER, FLAT	2

REF	PART #	DESCRIPTION	QTY.
14	578082000	SPACER	2
15	578002000	ARM, TRIGGER	2
16	601429	CONSOLE, TRIGGER	1
17	140061	WASHER, LOCK	3
18	578193000	SCREW, M04X25MM	3
19	578430	WASHER, FLAT	1
20	130712	●SWITCH, PULSE	1
21	601423	BRACKET, LATCH RIGHT	1
22	601465	BRACKET, LATCH LEFT	1
23	140027	WASHER, FLAT	4
24	140015	WASHER, LOCK	4
25	630425	SCREW, M8X20MM	4

● RECOMMENDED STOCK ITEMS

CONTROL CONSOLE GROUP

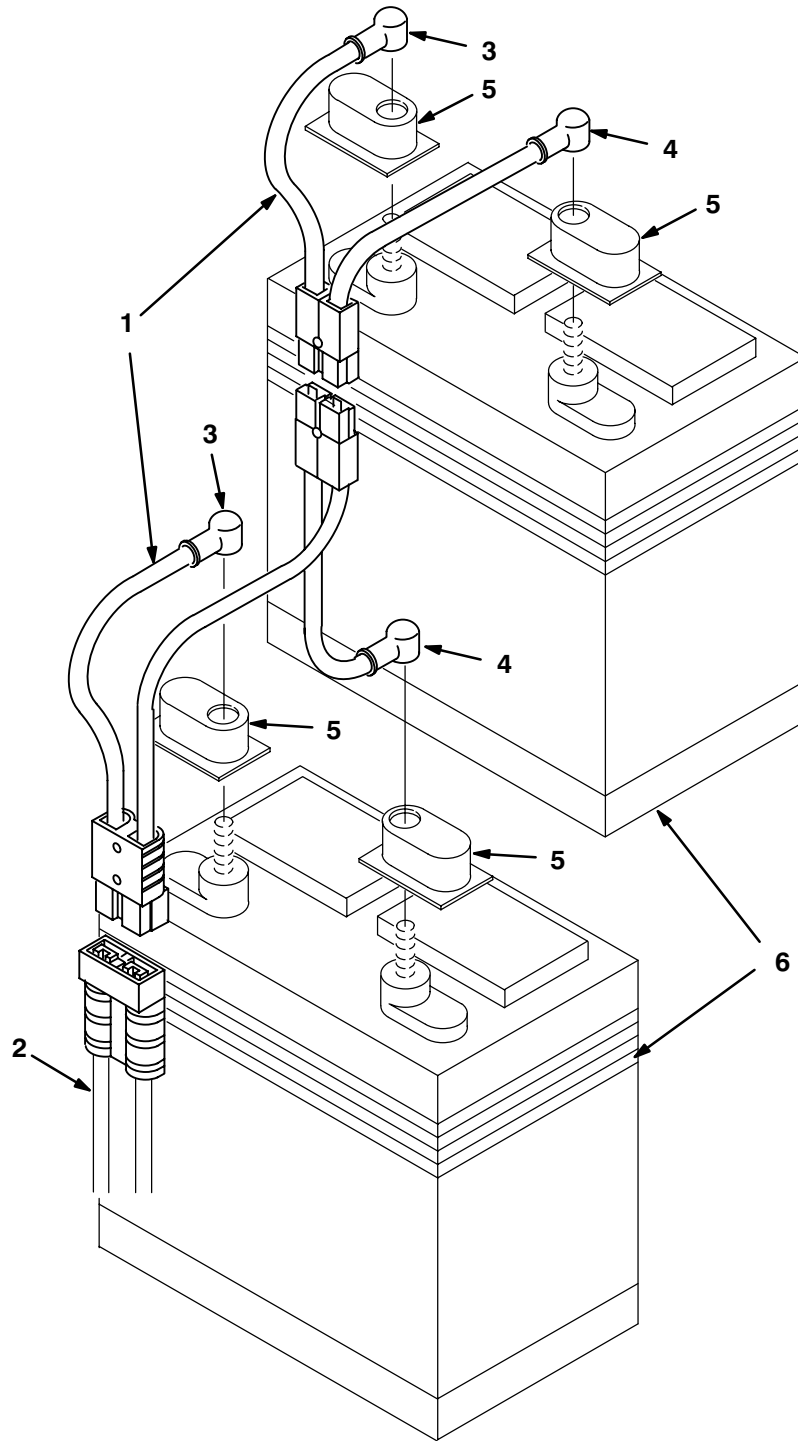


REF	PART #	DESCRIPTION	QTY.
1	130015	●METER, BATTERY VOLTAGE	1
2	608605	●SWITCH, ON/OFF	1
3	630419	●SWITCH, ROCKER SPST	1
4	130738	●LIGHT, GREEN INDICATOR	1
5	603212	●GAUGE, BRUSH PRESSURE	1
6	130441	●SWITCH, PAD RELEASE	1
7	601415	PANEL	1
8	578141000	SCREW, M5X10MM	9
9	607475	●SWITCH, KEYLOCK	1
	607821	●KEY, REPLACEMENT STEEL	1

REF	PART #	DESCRIPTION	QTY.
10	610723	PANEL, CONSOLE	1
11	130752	●BREAKER, CIRCUIT 20AMP	1
12	602951	●BREAKER, CIRCUIT 35AMP	1
13	609969	PLUG, HOUR METER	2
14	605823	O-RING	2
15	140011	WASHER, FLAT	6
16	140018	WASHER, LOCK	9
N/S	608942	HARNES, WIRE MAIN	1

● RECOMMENDED STOCK ITEMS

BATTERY CABLE GROUP AND BATTERIES



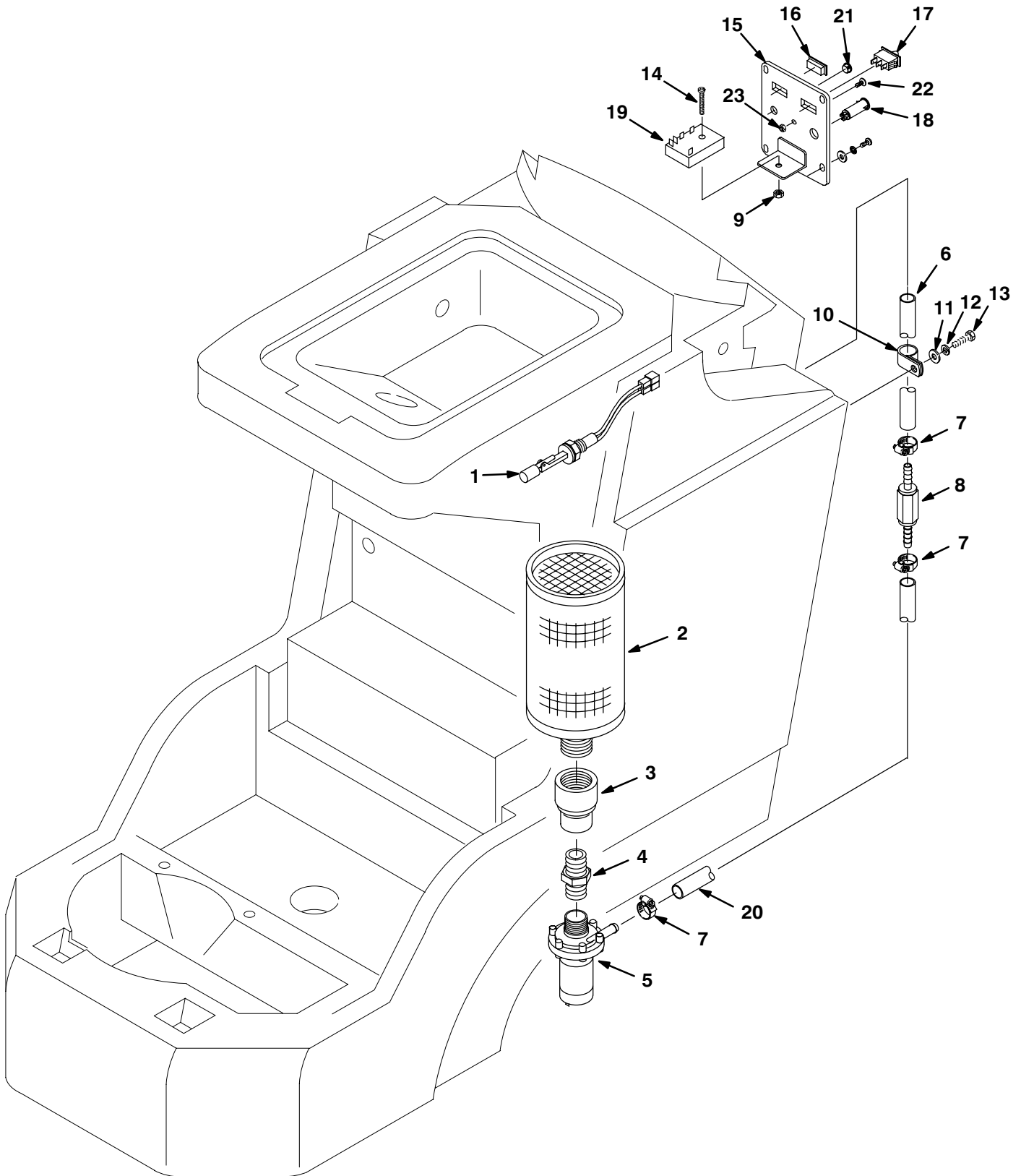
BATTERY CABLE GROUP AND BATTERIES

REF	PART #	DESCRIPTION	QTY.
1	603210	●ASM., CABLE W/RED QUICK CHG	1
2	603209	ASM., CABLE W/RED QUICK CHG	1
3	611221	●BOOT, BATTERY CABLE TERMINAL BLK	4

REF	PART #	DESCRIPTION	QTY.
4	611222	●BOOT, BATTERY CABLE TERMINAL RED	4
5	611223	●COVER, BATTERY TERMINAL	8
6	130869	BATTERY, 12V 130AH	2

● RECOMMENDED STOCK ITEMS

ES™ (EXTENDED SCRUB) GROUP



ES™ (EXTENDED SCRUB) GROUP

REF	PART #	DESCRIPTION	QTY.
	603171	●KIT, ES™ & WAND PUMP	1
▽	603172	●KIT, ES™	1
▲1	603166	●SWITCH, LIQUID LEVEL	1
▲2	578445	●FILTER, SCREEN	1
▲3	601484	FITTING, REDUCER	1
▲4	630385	FITTING, NIPPLE	1
▲5	630136	●PUMP, 24VDC	1
▲6	606363	TUBING, 3/8 ID X 13"	1
▲7	140310	CLAMP	3
▲8	210044	●VALVE, CHECK	1
▲9	140283	NUT	1
▲10	140316	CLAMP	1
▲11	140000	WASHER, FLAT	1

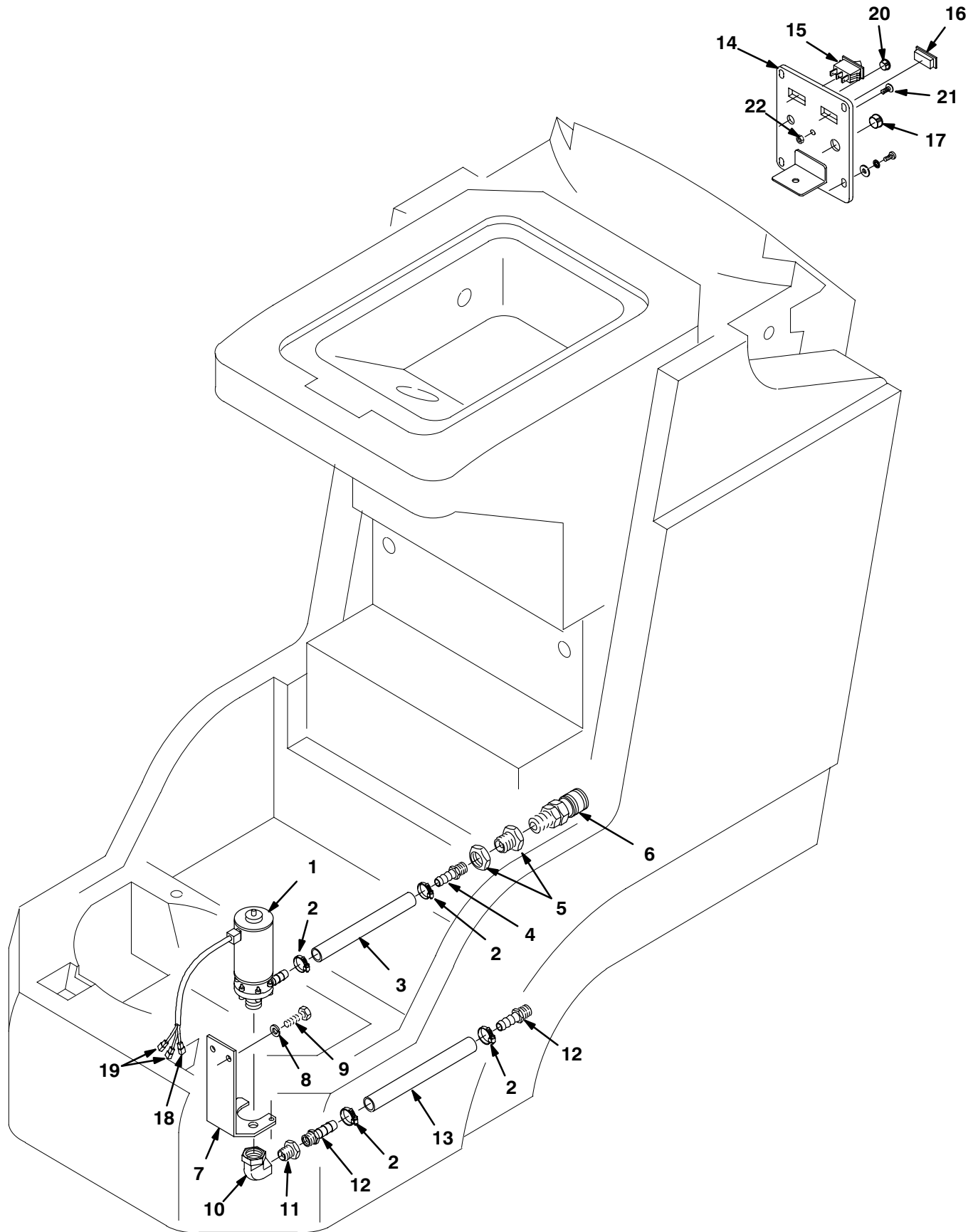
REF	PART #	DESCRIPTION	QTY.
▲12	140016	WASHER, LOCK	1
▲13	578321000	SCREW, M6X16MM	1
▲14	578008000	SCREW, M05X3.3	1
▲15	601416	PANEL, ACCESSORY	1
▲16	582150	PLUG, ACCESSORY	1
▲17	630419	●SWITCH, ROCKER	1
▲18	130738	LIGHT, INDICATOR	1
▲19	630145	●RELAY, TIMER 24V	1
▲20	606363	TUBING, 3/8 ID X 13"	1
▲21	130164	PLUG, DOME 3/8"	1
▲22	579259	SCREW, M04X12MM	1
▲23	200160014	NUT, HEX LOCK	1

▽ ASSEMBLY

▲ INCLUDED IN ASSEMBLY

● RECOMMENDED STOCK ITEMS

WAND PUMP GROUP



WAND PUMP GROUP

REF	PART #	DESCRIPTION	QTY.
	603171	●KIT, ES™ & WAND PUMP	1
▽	603173	●KIT, WAND PUMP	1
▲1	630136	●PUMP, 24VDC	1
▲2	140310	CLAMP	4
▲3	575501000	TUBING, 3/8 ID X 8"	1
▲4	150516	HOSE BARB	1
▲5	150300	CONNECTOR, ANCHOR	1
▲6	608292	QUICK CONNECTOR	1
▲7	601479	BRACKET, WAND PUMP	1
▲8	140016	WASHER, LOCK	2
▲9	200031433	SCREW, M6X12MM	2
▲10	630251	FITTING, ELBOW 90°	1

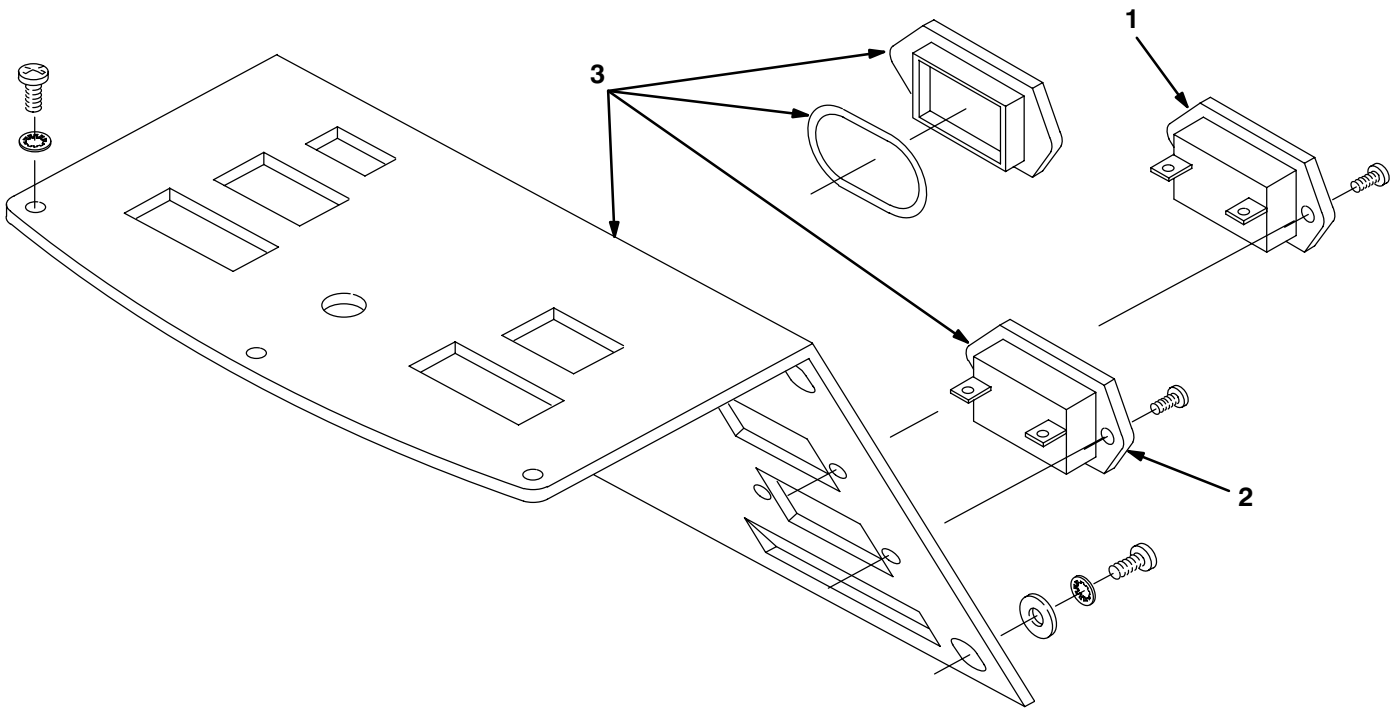
REF	PART #	DESCRIPTION	QTY.
▲11	630252	FITTING, BUSHING	1
▲12	150538	HOSE BARB	2
▲13	606325	TUBING, 3/8 ID X 24"	1
▲14	601416	PANEL, ACCESSORY	1
▲15	630419	●SWITCH, ROCKER	1
▲16	582150	PLUG, ACCESSORY	1
▲17	069764626	PLUG, HOLE	1
▲18	130125	RING, TERMINAL	1
▲19	130133	TERMINAL, MALE DISCONNECT	2
▲20	130164	PLUG, DOME 3/8"	1
▲21	579259	SCREW, M04X12MM	1
▲22	200160014	NUT, HEX LOCK	1

▽ ASSEMBLY

▲ INCLUDED IN ASSEMBLY

● RECOMMENDED STOCK ITEMS

HOUR METER AND LOW VOLTAGE INTERRUPTER GROUPS



REF	PART #	DESCRIPTION	QTY.
1	603174	●KIT, HOUR METER	1
▽2	610725	●KIT, LOW VOLTAGE INTERRUPTER	1
▲	603076	GUAGE, BATTERY 24V	1
▲N/S	603314	ASM., RELAY 24V	1
▲N/S	281004003	TERMINAL, FEMALE .19	1
▲N/S	281004001	TERMINAL, FEMALE .25	1
▲N/S	130133	TERMINAL, MALE .25	3
▲N/S	610848	ASM., WIRE #18 X 6"	1
▲N/S	610849	ASM., WIRE #18 X 8.5"	1
▲N/S	130040	WIRE TIE NYLON	1

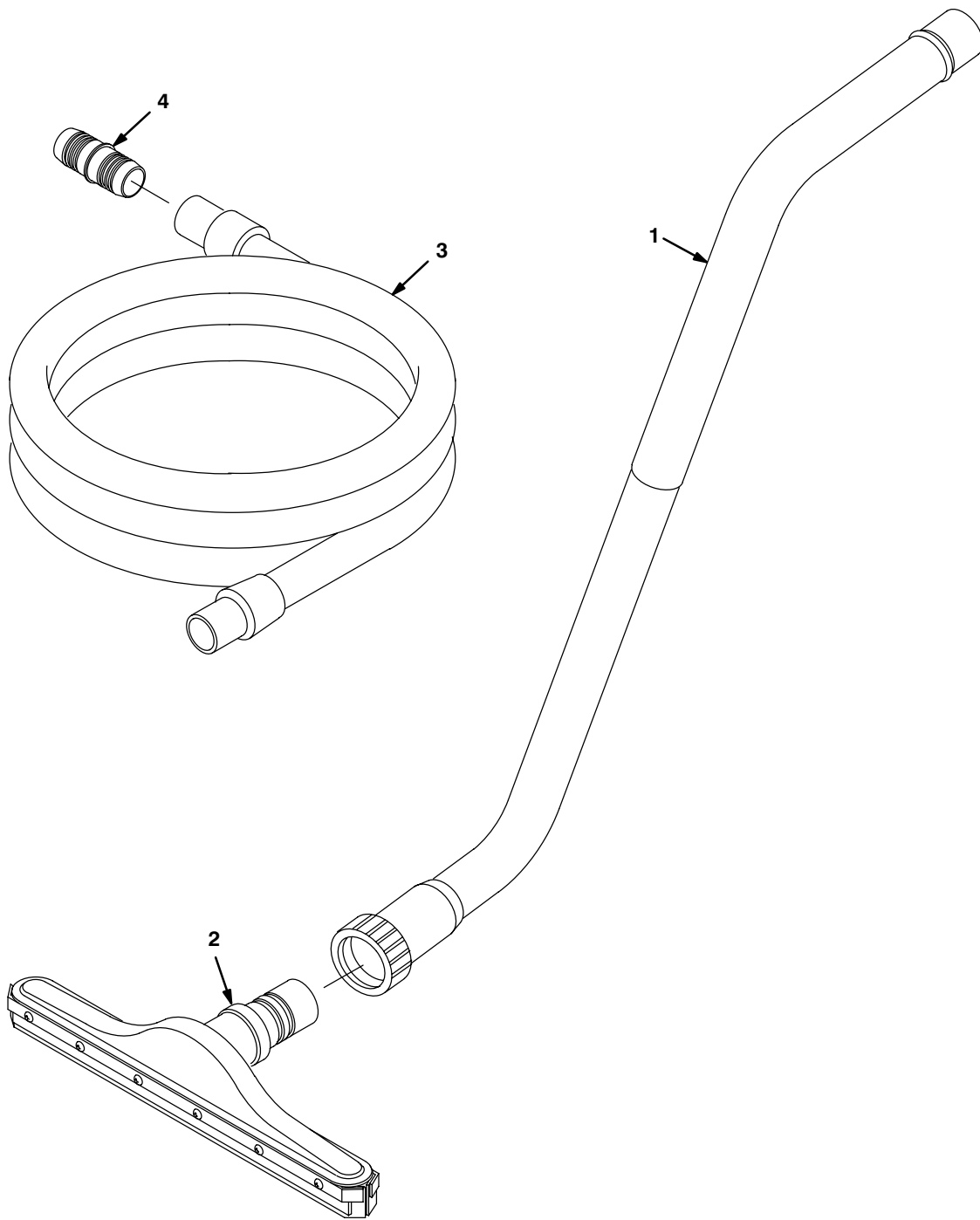
▽ ASSEMBLY

▲ INCLUDED IN ASSEMBLY

● RECOMMENDED STOCK ITEMS

REF	PART #	DESCRIPTION	QTY.
▽3	610724	●KIT, LOW VOLTAGE INTERRUPTER (FOR MACHINES MANUFACTURED BEFORE AUG. 2000)	1
▲	603076	GUAGE, BATTERY 24V	1
▲	609969	PLUG, HOUR METER	1
▲	605823	O-RING	1
▲N/S	603314	ASM., RELAY 24V	1
▲N/S	281004003	TERMINAL, FEMALE .19	1
▲N/S	281004001	TERMINAL, FEMALE .25	1
▲N/S	130133	TERMINAL, MALE .25	3
▲N/S	610848	ASM., WIRE #18 X 6"	1
▲N/S	610849	ASM., WIRE #18 X 8.5"	1
▲N/S	130040	WIRE TIE NYLON	1
▲N/S	610723	PANEL, CONSOLE BLACK	1

SQUEEGEE WAND GROUP



REF	PART #	DESCRIPTION	QTY.
▽	190928	WAND ASSEMBLY, DOUBLE BEND	1
▲1	6108.1	WAND, DOUBLE BEND	1
▲2	13840	SQUEEGEE ASM PUSH/PULL	1

REF	PART #	DESCRIPTION	QTY.
▲3	160481	HOSE, VAC 1-1/2X10'	1
▲4	160451	CONNECTOR, VAC HOSE	1

▽ ASSEMBLY

▲ INCLUDED IN ASSEMBLY

DELUXE POWER WAND GROUP

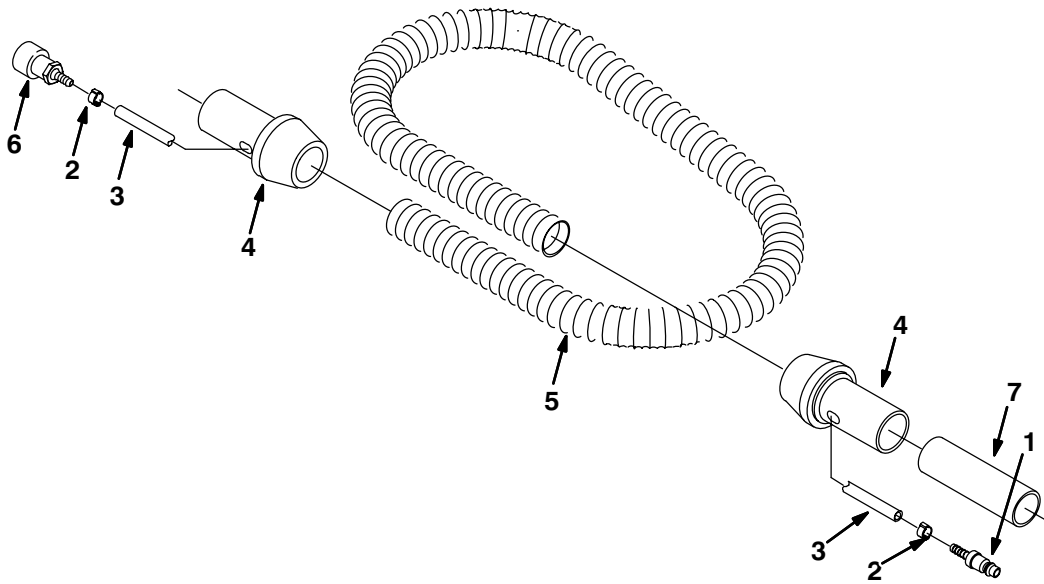
REF	PART #	DESCRIPTION	QTY.
▽	578905000	ASM., DELUXE POWER WAND	1
▲1	578060000	WAND, DOUBLE BEND	1
▲2	578077000	BRACKET, VALVE MOUNTING	1
▲3	578061000	ADAPTER, HEAD/WAND	2
▲4	578214000	FITTING, ELBOW	1
▲5	579112	ADAPTER, SPRAY NOZZLE	1
▲6	579198	RIVET, POP	2
▲7	578066000	SPRAY NOZZLE, 75 DEG.	1
▲8	578073000	BRUSH, DECK, POLYPRO BLOCK	1
▲9	578063000	HEAD, WAND	1
▲10	578078000	RETAINER, SQUEEGEE	2
▲11	578074000	BLADE, SQUEEGEE	2
▲12	578124000	BRACKET, AXLE	1
▲13	578439	NUT, THUMB	1

REF	PART #	DESCRIPTION	QTY.
▲14	578228000	SPRING, COMPRESSION	1
▲15	578143000	STUD, ADJUST.	1
▲16	578126000	AXLE, WAND	1
▲17	578125000	WHEEL, GUIDE	2
▲18	578123000	BRACKET, AXLE	1
▲19	578155000	HANDLE, WAND	1
▲20	578154000	BRACKET, HANDLE	1
▲21	578091000	PLUG, MALE QUICK-CONN	1
▲22	578164000	GROMMET	1
▲23	578821000	HOSE, SOLUTION	1
▲24	578161000	CLAMP, HOSE	1
▲25	578094000	FITTING, HOSEBARB 1/4NPT MALE	1
▲26	578064000	VALVE, WATER CONTROL	1
▲27	150208	PLUG, SCKT HD 1/8"	1

▽ ASSEMBLY

▲ INCLUDED IN ASSEMBLY

POWER WAND HOSE GROUP



REF	PART #	DESCRIPTION	QTY.
▽	578903000	HOSE ASM., POWER WAND	1
▲1	578318000	FITTING, QUICK CONCT MALE	1
▲2	578160000	CLAMP, HOSE 11-13MM	2
▲3	578820000	HOSE, .25ID, .44OD, 4.0M LG	1
▲4	578072000	CUFF, SWIVEL, 1-1/2	2

REF	PART #	DESCRIPTION	QTY.
▲5	578276000	HOSE, VACUUM, 1-1/2 X 10' GRAY	1
▲6	578071000	CONNECTOR, QUICK CONCT FE-MALE	1
▲7	231031	SLEEVE, 1-1/2"DIA X 5"LG	1

● RECOMMENDED STOCK ITEMS

▽ ASSEMBLY

▲ INCLUDED IN ASSEMBLY