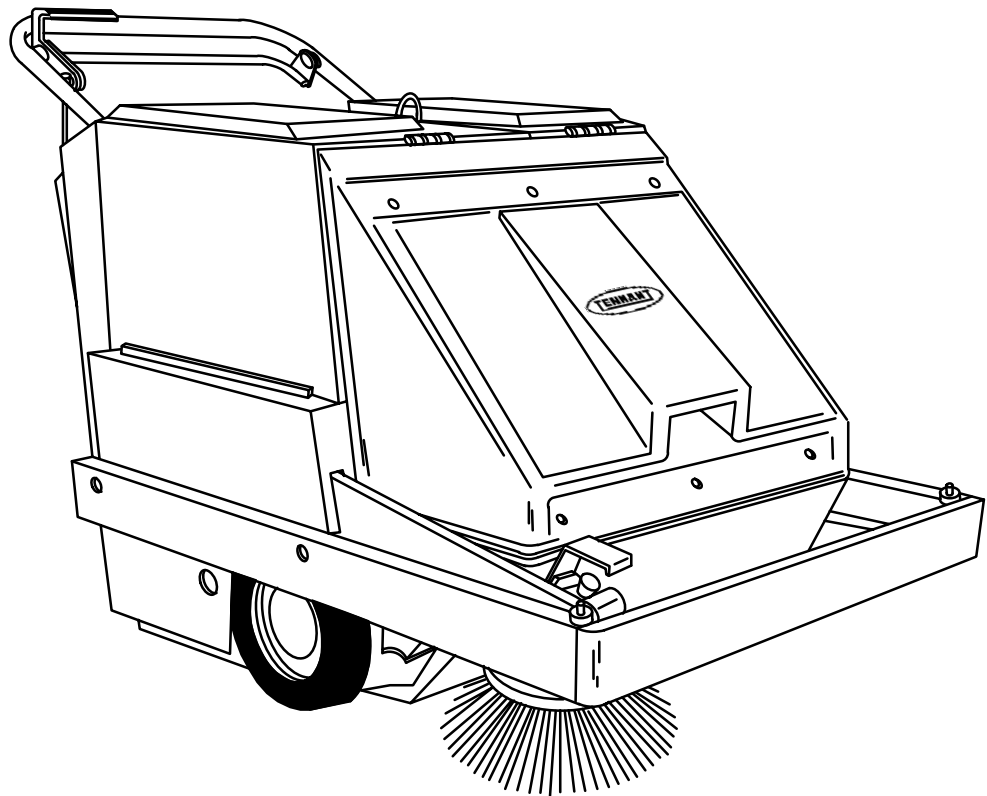


FLOOR-EQUIPMENT-PARTS.COM



1186E

(Parts Manual)



**MM268
Rev. 05 (12-95)**



This manual is furnished with each new TENNANT Model 1186E. It provides necessary operating and preventive maintenance instructions. Read this manual completely and understand the machine before operating or servicing it.

This manual covers all machine variations and standard options. The instruction portion of the manual consists of the Specification, Operation, Maintenance, and Appendix sections. The parts portion consists of the Standard Parts; Options; Electrical Components; and Cross Reference; sections.

All right side and left side references to the machine are determined by facing the direction of forward travel. All hardware considered to be of a common nature or locally available has been omitted from the parts sections. Be aware that this machine may contain metric hardware. Make sure you use equivalent hardware when replacement becomes necessary.

This machine will provide excellent service. However, the best results will be obtained at minimum costs if:

- The machine is operated with reasonable care.
- The machine is maintained regularly – per the maintenance instructions provided.
- The machine is maintained with TENNANT supplied or equivalent parts.

Parts and supplies may be ordered by phone or mail from any TENNANT parts and service center, distributor, or from any of the TENNANT subsidiaries. Before ordering parts or supplies, be sure to have your machine model number and serial number handy. Fill out the data block below for future reference.

MACHINE DATA	
<i>Please fill out at time of installation.</i>	
Machine Serial Number –	_____
Engine Serial Number –	_____
Sales Representative –	_____
Customer Number –	_____
Date of Installation –	_____
Manual Number –	MM268
Revision:	05
Published:	12–95

Trademark Registered in: Austria, Benelux, Denmark, England, France, Germany, Italy, Spain, Switzerland, United States, Argentina, Australia, Canada, Japan, Mexico, Sweden, by TENNANT, Minneapolis, Minnesota, U.S.A.

Copyright 1990, 1991, 1992, 1994, 1995 TENNANT, Printed in U.S.A.

HOW TO USE THIS MANUAL

This section on *HOW TO USE THIS MANUAL* will tell you how to:

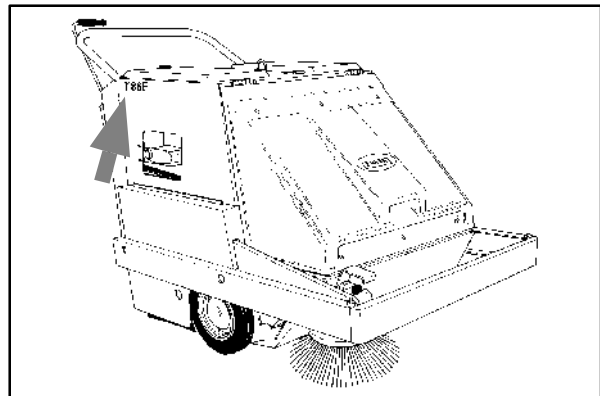
- Find important machine information for ordering correct repair parts.
- Find TENNANT part numbers.
- Order TENNANT parts and supplies.

IMPORTANT INFORMATION

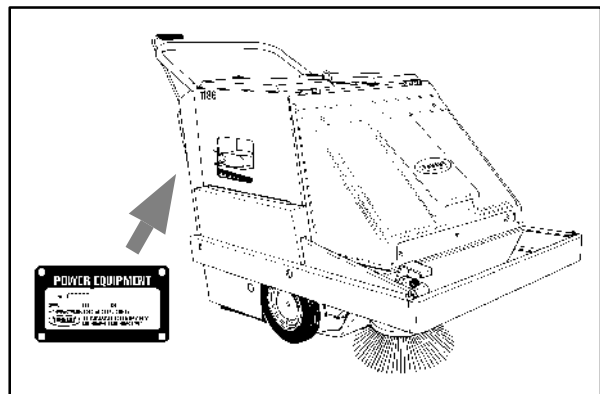
When placing an order for parts, the machine model and machine serial number are important. Refer to the *MACHINE DATA* box which is filled out during the installation of your machine. The *MACHINE DATA* box is located on the inside of the front cover of this manual.

MACHINE DATA	
<i>Please fill out at time of installation.</i>	
Machine Serial Number -	_____
Engine Serial Number -	_____
Sales Representative -	_____
Customer Number -	_____
Date of Installation -	_____
Manual Number -	MM268
Revision:	03
Published:	6-94

The model number of your machine is on the side of the machine.



The serial number of your machine is printed on the machine data plate located as shown.



HOW TO USE THIS MANUAL

FINDING A TENNANT PART NUMBER

This manual contains the following sections:

- HOW TO USE THIS MANUAL
- STANDARD PARTS
- OPTIONS
- BREAKDOWNS
- CROSS REFERENCE

The STANDARD PARTS section lists repair parts for standard machines. They are grouped in this general order:

- General wear parts.
- Machine frame and related parts.
- Machine propelling system.
- Scrubbing components.
- Electrical parts.

The OPTION section lists repair parts of options.

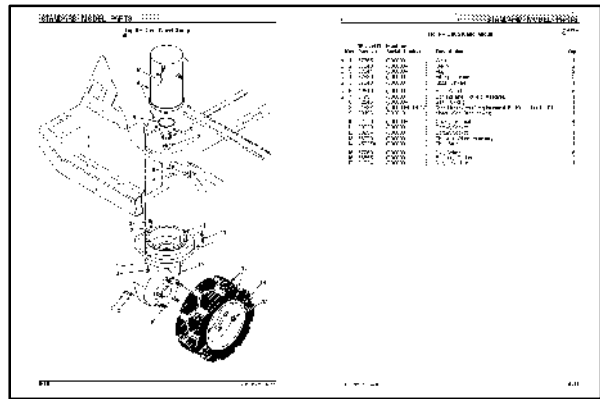
The BREAKDOWN section lists available repair parts of major components.

All sections in this manual consist of parts illustrations and corresponding parts lists.

The parts illustrations are numbered with **Ref** numbers which refer to corresponding parts lists.

The parts lists include a number of columns of information:

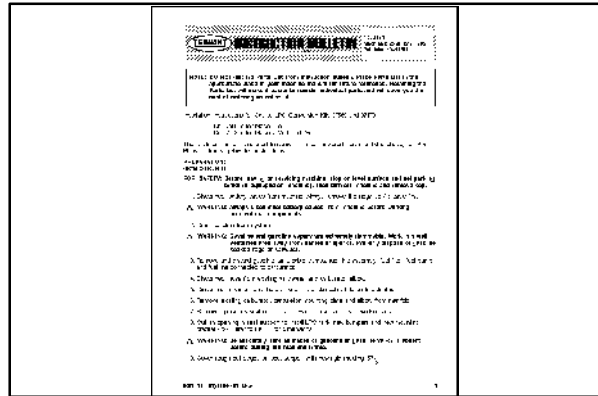
- **Ref** – column refers to the reference number on the parts illustration.
- ∇ – indicates the part is an assembly.
- ▲ – indicates the part is included in the assembly listed just before it.
- **TENNANT Part No.** – column lists the TENNANT part number for the part.
- **Serial Number** – column indicates the set of machines the part number is applicable to. Serial numbers change when the machine design has been modified. The most current design of the machine is shown in the main illustration, older designs are boxed in a corner of the illustration.
- **Description** – column is a brief description of the part.
- **Qty.** – column lists the quantity of that part used in that area of the machine.



Key	TennaNT Part No.	Machine Serial Number	Description	Qty.
∇ 1	87366	(00000)-	Gearbox	1
▲ 2	87840	(00000)-	O-Ring	2
▲ 3	87841	(UUUUU)-	Hub	2
▲ 4	87839	(00000)-	Fitting, Grease	2
▲ 5	87849	(00000)	Gear, Driving	1
▲ 6	12540	(00000)-	Bolt, Wheel	5
▲ 7	01791	(00000)-	Bearing and Housing Assembly	1
▲ 8	12545	(00000)-	Seal, O-Ring	1
9	31592	(00000-032017)	(See Breakdowns) Replacement Kit Motor For 86356	1
9	80196	(00015)-	Motor (See Breakdowns)	1
10	02076	(00000)-	Cover, Terminal	4
11	09000	(00000)-	Core, Socket	2
12	09294	(00000)-	Screw, Socket	1
13	86970	(00000)-	Tire and Wheel Assembly	1
14	45027A	(00000)-	Tire, Solid	1
15	87760	(00000)-	Nut, Wheel	5
16	56855	(00000)	Bumper, Rubber	2
17	51824	(00000)-	Nut, Hex, "Tri"	1

NOTE: If a service kit is installed on your machine, be sure to keep the **INSTRUCTION BULLETIN** which came with the kit. It contains repair parts numbers needed for ordering future parts.

NOTE: Fasteners used in this machine may be metric or non-metric. Take care when replacing hardware to replace with same thread size.



PLACING AN ORDER

Orders may be placed by phone, fax, or by mail. Phone orders may need written confirmation. Follow the steps below to insure prompt delivery:

1. Identify the model number of your machine.
2. Identify the serial number of your machine.
3. Find the part number of the part you need. Do not order by page number or reference number. If you are not able to find the part number, call your TENNANT representative for help or send the old part as a sample.
4. Determine the quantity of the part you need.
5. Provide the following company information:
 - Company name
 - Customer ID Number
 - Shipping address
 - Billing address
 - First and last name of person ordering parts
 - Telephone number
 - Purchase order number
6. Provide definitive shipping instructions.

HOW TO USE THIS MANUAL

Any claim for loss or damage to a shipment in transit should be filed promptly with the transportation company making the delivery. Shipments will be complete unless the packing list or order acknowledgement indicates items back ordered.

If parts received are suspected to be incorrect or defective, please contact the TENNANT representative from whom you ordered the part. They will give authorization for return and/or handle replacement shipments when required.

SECTION 6

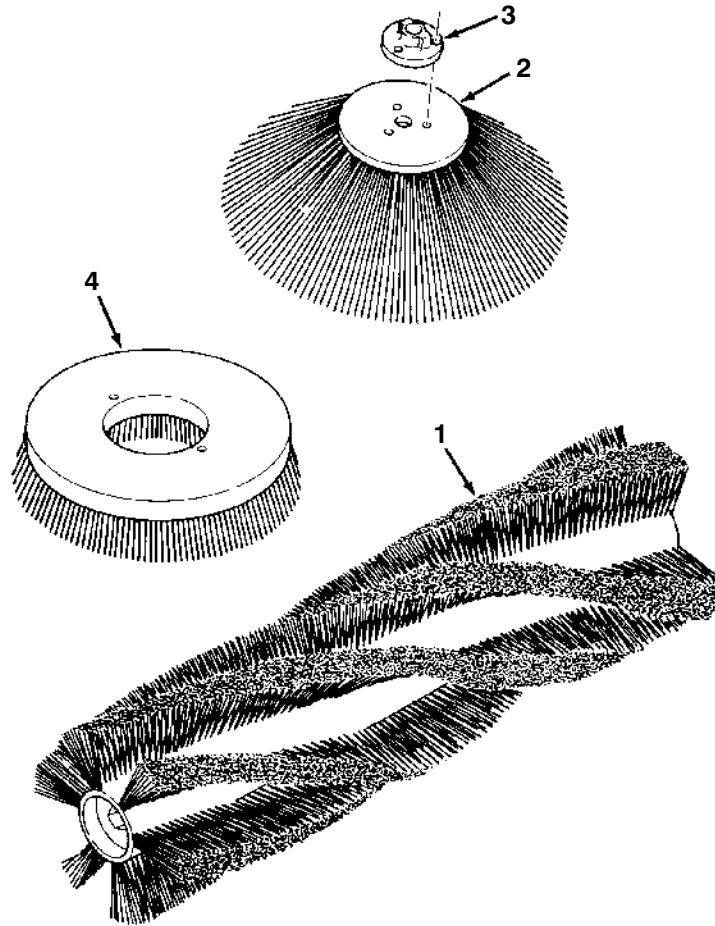
CONTENTS

	Page
Fig. 1 – Recommended General Maintenance Items	6-2
Fig. 2 – Replacement Brushes	6-3
Fig. 3 – Main Frame Group	6-4
Fig. 4 – Motor, Sheaves and Cover Group	6-6
Fig. 5 – Battery and Charger Group	6-8
Fig. 6 – Brush Drive Group	6-10
Fig. 7 – Sweeper/Scrubber Hopper Group	6-12
Fig. 8 – Solution and Recovery Tank Group	6-14
Fig. 9 – Rear Squeegee Lift Group	6-16
Fig. 10 – Rear Squeegee Group	6-18
Fig. 11 – Wheel Drive Group	6-19
Fig. 12 – Vacuum Fan Group	6-20
Fig. 13 – Scrub Vacuum Fan Group	6-21
Fig. 14 – Vacuum Fan Shutoff Group	6-22
Fig. 15 – Filter and Shaker Motor Group	6-23
Fig. 16 – Instrument Panel Group	6-24
Fig. 17 – Label Group	6-25
Fig. 18 – Wire Harnesses Group	6-26
Fig. 19 – Wire Harnesses Group	6-28

Fig. 1 – Recommended General Maintenance Items

Key	TENNANT Part No.	Machine Serial Number	Description	Qty.
▽	60027	(020000–)	Maintenance Kit, Skirts	1
▲	08057	(020000–)	Skirt and Flap Assembly, Rear	1
▲	08703	(020000–)	Retainer, Rear Seal	1
▲	28072	(020000–)	Skirt, Side	2
▲	28250	(020000–)	Retainer, Side Skirt	1
▲	28026	(020000–)	Retainer, Front Side Skirt	1
▲	28081	(020000–)	Lip Assembly, Pan	2
▲	28277–1	(020000–)	Seal, Foam Rubber	1
▲	28277–2	(020000–)	Seal, Foam Rubber	1
▲	28025	(020000–)	Retainer	1
▲	47037	(020000–)	Adhesive, 5 oz (150 cc) Tube	1
▽	60025	(020000–)	Performance Package, Squeegee	1
▲	50935	(020000–)	Blade, Rear Squeegee	1
▲	01657	(020000–)	Strip, Rear Backup	1
▲	63967	(020000–)	Blade, Front Squeegee	1

Fig. 2 – Replacement Brushes



06364

Key	TENNANT Part No.	Machine Serial Number	Description	Qty.
1	28002	(020000–)	Main Brush, 6 Row, Wire and Fiber	1
1	28006	(020000–)	Main Brush, 6 Row, Union Mix	1
1	28006N	(020000–)	Main Brush, 6 Row, Nylon	1
1	28007P	(020000–)	Main Brush, 6 Row, Polypropylene	1
1	28172	(020000–)	Main Brush, 18 Row, Natural Fiber	1
1	28234	(020000–)	Main Brush, 50 Row, Tampico	1
1	28235	(020000–)	Main Brush, 18 Row, Wire and Fiber	1
1	28660	(020000–)	Main Brush, 6 Row, Bright Wire	1
1	29006	(020000–)	Main Brush, Scrubbing 18 Row, Stainless Steel	1
1	29408	(020000–)	Main Brush, Scrubbing 24 Row, Polypropylene	1
1	02869	(020000–)	Main Brush, Scrubbing 24 Row, Abrasive Bristle	1
1	41302	(020000–)	Main Brush, Sweeping–Scrubbing 6 Row, Polypropylene	1
∇ 2	28096P	(020000–)	Side Brush and Hub Assembly, Polypropylene	1
▲ 3	45154	(020000–)	Hub, Side Brush	1
∇	28096N	(020000–)	Side Brush and Hub Assembly, Perlon	1
▲	45154	(020000–)	Hub, Side Brush	1
4	29406	(020000–)	Side Brush, Scrubbing Polypropylene	1

Fig. 3 – Main Frame Group

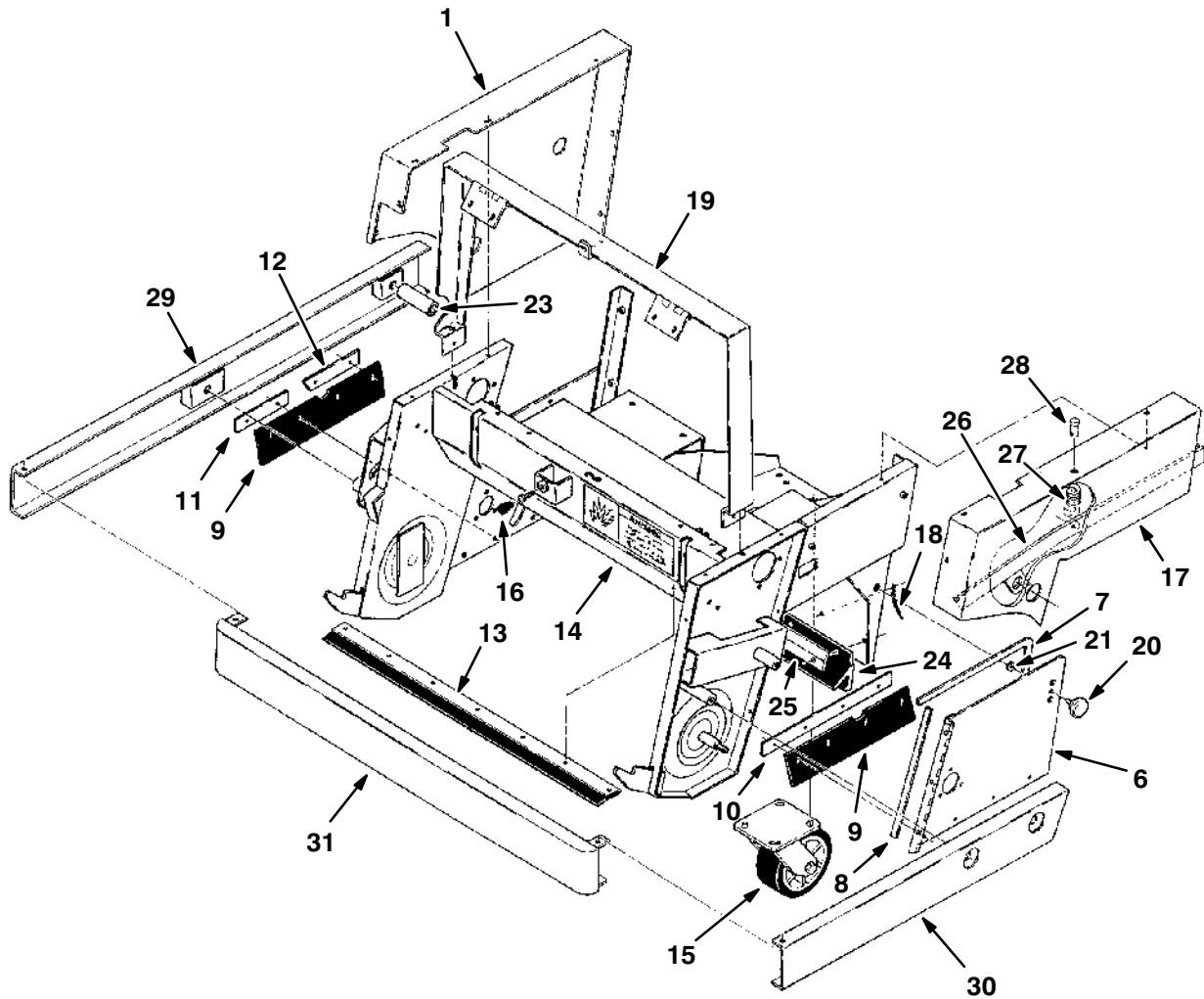
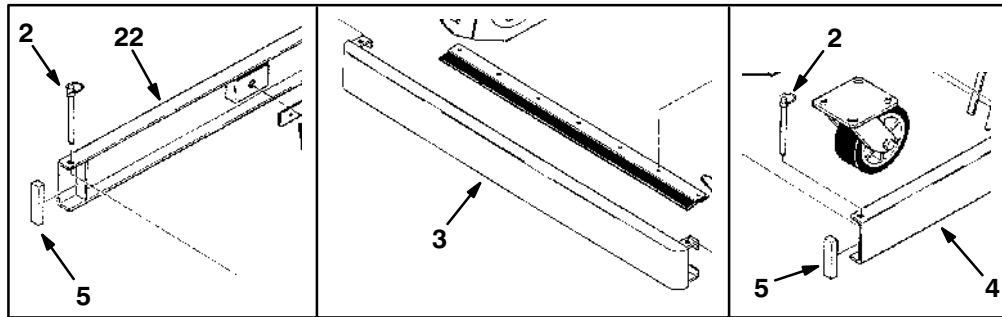


Fig. 3 – Main Frame Group

Key	TENNANT Part No.	Machine Serial Number	Description	Qty.
1	01235	(020000–)	Cover, R.H.	1
2	01317	(020000–020262)	Pin, Pivot	2
3	61324	(020000–020262)	Replacement Kit, Front Bumper, F/01327	1
4	01247	(020000–020262)	Bumper, L.H.	1
5	28988–1	(020000–020262)	Seal, Foam Rubber	2
▽ 6	06469	(020000–)	Door Assembly	1
▲ 7	28277–1	(020000–)	Seal, Foam Rubber	1
▲ 8	28277–2	(020000–)	Seal, Foam Rubber	1
9	28072	(020000–)	Skirt, Side	2
10	28025	(020000–)	Retainer	1
11	28026	(020000–)	Retainer, Side Skirt	1
12	28250	(020000–)	Retainer, Side Skirt	1
13	28081	(020000–)	Lip Assembly, Pan	1
14	12063	(020000–)	Frame and Label Assembly, Main	1
15	18645	(020000–020290)	Caster	1
15	65548	(020291–)	Caster	1
16	01318	(020000–)	Tip, Rubber	1
17	50938	(020000–)	Cover, L.H.	1
18	28499	(020000–)	Chain, Static	1
19	50711	(020000–)	Lintel	1
20	29982	(020000–)	Knob	1
21	08156	(020000–)	Fastener	1
22	10226	(020000–020262)	Bumper, R.H.	1
23	01251	(020000–)	Tube	1
24	08057	(020000–)	Skirt and Flap Assembly, Rear	1
25	08703	(020000–)	Retainer, Rear Seal	1
26	50931	(020000–)	Lever, Brake	1
27	09480	(020000–)	Spring, Tension	1
28	41305	(020000–)	Pin, Clevis	1
29	61326	(020263–)	Bumper, R.H.	1
30	61327	(020263–)	Bumper, L.H.	1
31	61322	(020263–)	Bumper, Front	1

Fig. 4 – Motor, Sheaves and Cover Group

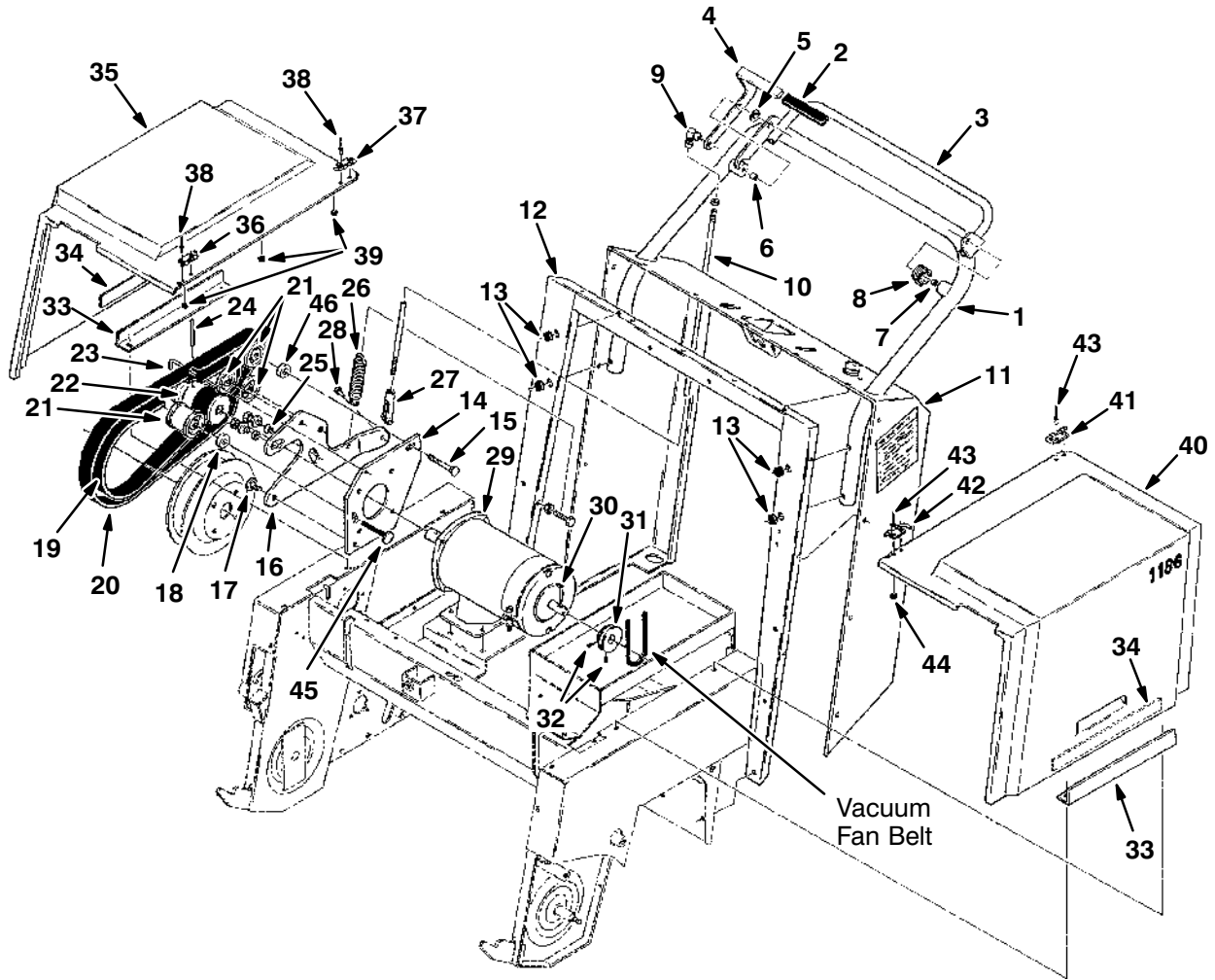


Fig. 4 – Motor, Sheaves and Cover Group

Key	TENNANT Part No.	Machine Serial Number	Description	Qty.
1	09433	(020000–)	Handle	1
2	87246	(020000–)	Grip, Handle	1
3	09400	(020000–)	Handle, Forward	1
4	09408	(020000–)	Handle, Reverse	1
5	52508	(020000–)	Washer, Wavy Spring	1
6	50821	(020000–)	Sleeve	1
7	50936	(020000–)	Sleeve	1
8	50910	(020000–)	Spring, Torsion	1
9	50909	(020000–)	Balljoint	1
10	09473	(020000–)	Rod, Control	1
11	50718	(020000–)	Panel and Label Assembly, Instrument	1
12	01142	(020000–)	Support, Rear	1
13	10632–12	(020000–)	Grommet	4
14	25921	(020000–)	Plate, Directional Pivot	1
15	01150	(020000–)	Bolt, Carriage	1
16	08037	(020000–)	Lever, Directional Control	1
17	01112	(020000–)	Screw, Shoulder	1
18	01113	(020000–)	Spacer, Directional Plate	1
19	01119	(020000–)	Belt, Flat, Forward	1
20	01120	(020000–)	Belt, Flat, Reverse	1
21	01199	(020000–)	Sheave, Idler	4
22	01115	(020000–)	Sheave, Combination	1
23	01134	(020000–)	Retainer, Belt	1
24	11398	(020000–)	Pin, Roll	1
25	12955	(020000–)	Sleeve	2
26	29545	(020000–)	Spring, Tension	1
27	58311	(020000–)	Clevis	1
28	69582	(020000–)	Pin, Clevis	1
▽ 29	01192	(020000–)	Motor, Electric	1
▲	01739	(020000–)	Brush Kit	1
▲	01740	(020000–)	Spring, Brush	4
30	00500–4	(020000–)	Key, Woodruff	1
31	01104	(020000–)	Sheave	1
32	46820	(020000–)	Screw, Nylon Set	2
33	09494	(020000–)	Angle, Stop	2
34	09367	(020000–)	Magnetic Strip	2
▽ 35	61063	(020000–)	Cover Assembly, R.H.	1
▲ 36	50832	(020000–)	Hinge, Pull Pin L.H.	1
▲ 37	50835	(020000–)	Hinge, Pull Pin R.H.	1
▲ 38	01335	(020000–)	Rivet, Soft	4
▲ 39	64757	(020000–)	Bumper, Rubber	3
▽ 40	61067	(020000–)	Cover Assembly, L.H.	1
▲ 41	50832	(020000–)	Hinge, Pull Pin L.H.	1
▲ 42	50835	(020000–)	Hinge, Pull Pin R.H.	1
▲ 43	01335	(020000–)	Rivet, Soft	4
▲ 44	64757	(020000–)	Bumper, Rubber	3
45	30205	(020000–)	Screw, Leveler	1
46	70326	(020000–)	Spacer, Directional Plate	1

Fig. 5 – Battery and Charger Group

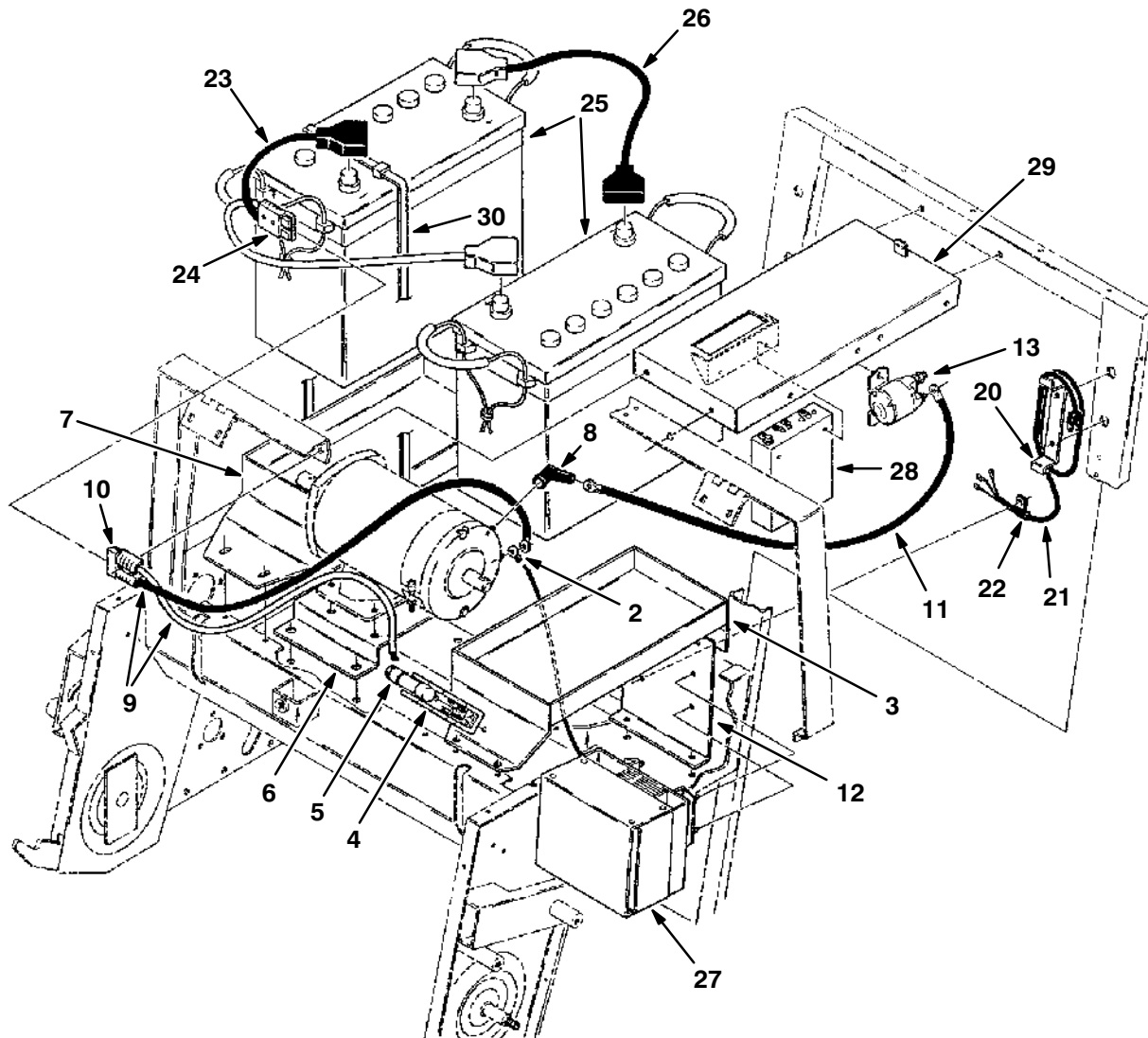
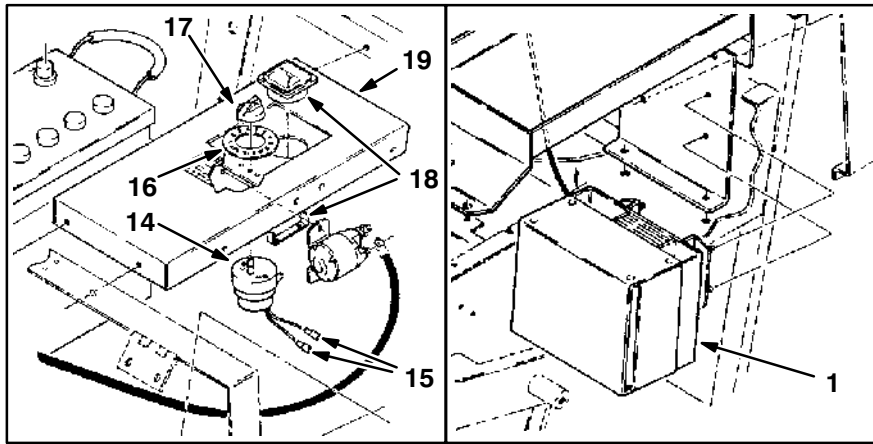
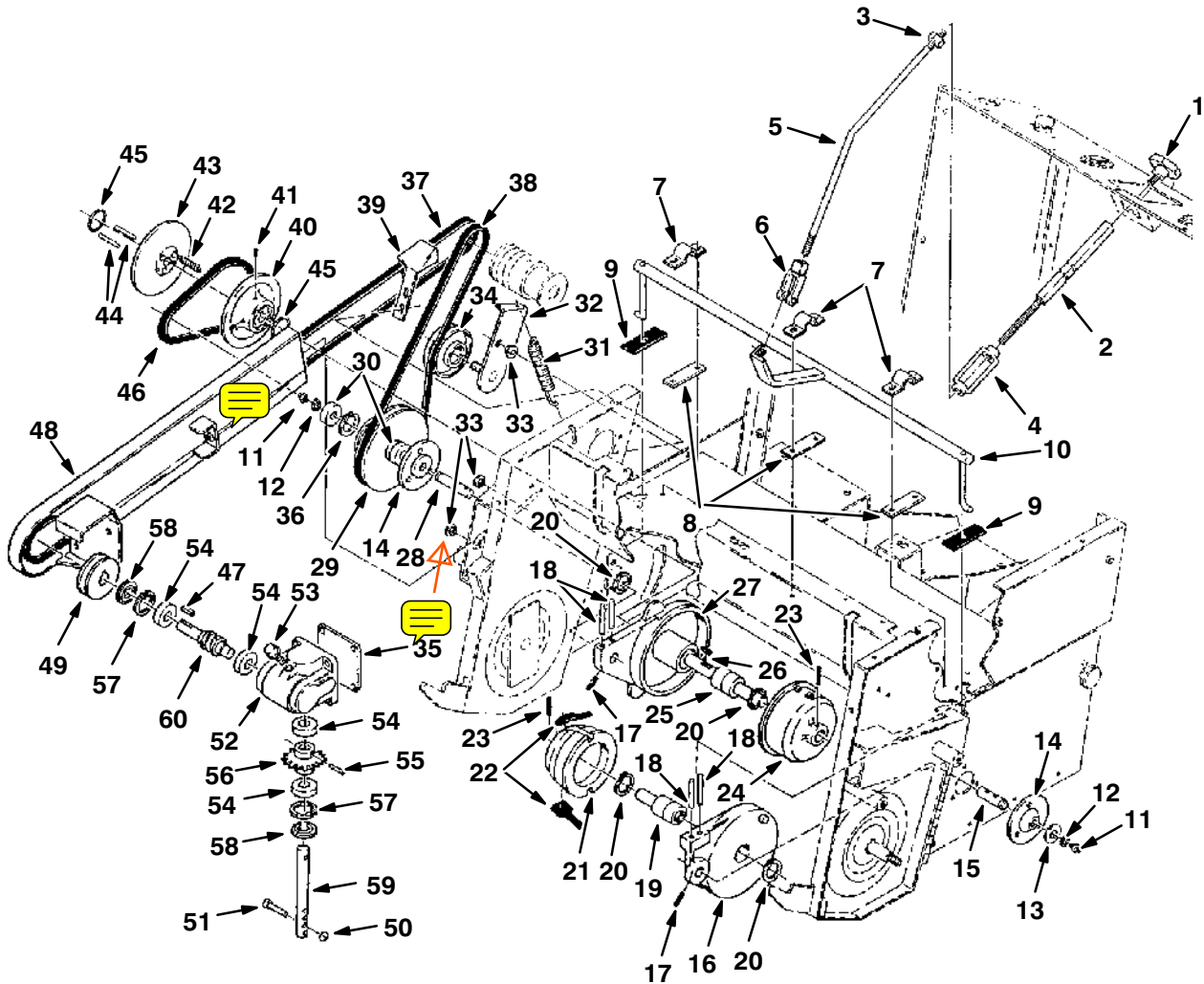


Fig. 5 – Battery and Charger Group

Key	TENNANT Part No.	Machine Serial Number	Description	Qty.
1	60519	(020000–020195)	Replm Kit, Charger F/50708	1
2	44340	(020000–)	Terminal, Ring	1
3	01098	(020000–)	Tray, Battery, L.H.	1
4	32922	(020000–)	Holder, Fuse	1
5	04930	(020000–)	Fuse, 60 A	1
6	01105	(020000–)	Bracket, Motor Mount	1
7	01421	(020000–)	Tray, Battery, R.H.	1
8	02076	(020000–)	Protector, Terminal	1
▽ 9	01379	(020000–)	Cable Assembly, Battery	1
▲ 10	24881	(020000–)	Connector, Grey	1
11	01094	(020000–)	Cable, Battery	1
12	01101	(020000–)	Support, Battery Tray	1
13	02424	(020000–)	Contactora	1
14	61104	(020000–020195)	Switch, Timer	1
15	50474	(020000–020195)	Terminal	2
16	41609	(020000–020195)	Decal, Timer	1
17	61106	(020000–020195)	Knob, Timer	1
18	29688	(020000–020195)	Ammeter, Charger	1
19	41289	(020000–020195)	Brace and Label Assembly, Center	1
20	01377	(020000–)	Bracket, Cord	1
21	01376	(020000–)	Cord, Charger	1
22	40678	(020000–)	Clamp, Cable	1
▽ 23	01373	(020000–)	Cable Assembly, Battery	1
▲ 24	24881	(020000–)	Connector, Grey	1
25	01537	(020000–)	Battery, 140 A/h, Wet	2
26	01368	(020000–)	Wire Assembly	1
27	50050	(020196–)	Charger, 24V, 60 Hz 120Vac	1
28	50049	(020196–)	Control Box, 24V Charger	1
29	60523	(020196–)	Channel Wldt, Center	1
30	32815	(020000–)	Tie, Cable 8.00D Max28.25Lg	4

Fig. 6 – Brush Drive Group



06367

Key	TENNANT Part No.	Machine Serial Number	Description	Qty.
1	01139	(020000-)	Handle, Tee	1
2	01138	(020000-)	Handle, Brush Lift	1
3	39562	(020000-)	Nut, Hex, L.H.	1
4	40352	(020000-)	Turnbuckle	1
5	01141	(020000-)	Rod, Brush Lift	1
6	14330	(020000-)	Yoke, Adjustable	1
7	28074	(020000-)	Clamp, Conduit	3
8	28066	(020000-)	Strip	3
9	29005	(020000-)	Seal	2
10	08147	(020000-)	Shaft, Brush Lift	1
11	07259	(020000-)	Fitting, Grease	2
12	18136	(020000-)	Ring, Retaining	2
13	28862	(020000-)	Washer, Thrust	1
14	01236	(020000-)	Bushing	2
15	28850A	(020000-)	Shaft, Short	1
16	28841	(020000-)	Arm	1
17	26103	(020000-)	Pin, Roll	2
18	20050	(020000-)	Pin, Roll	4
19	28868	(020000-)	Bearing and Shaft	1
20	23217	(020000-)	Ring, Retaining	4

STANDARD MODEL PARTS

Key	TENNANT Part No.	Machine Serial Number	Description	Qty.	
21	28977	(020000-) Plug Assembly	1	
22	28852	(020000-) Finger	2	
23	26239	(020000-) Pin, Roll	2	
24	28976	(020000-) Plug and Pin Assembly, Drive	1	
25	28867	(020000-) Bearing and Shaft	1	
26	00911	(020000-) Key, Square	1	
27	28840	(020000-) Arm	1	
28	28849-1	(020000-) Shaft, Long	1	
29	28845A	(020000-) Sheave, Step	1	
30	28010	(020000-) Bearing, Ball	2	
31	26212	(020000-) Spring, Tension	1	
32	01058	(020000-) Arm and Shaft Assembly, Idler	1	
33	01047	(020000-) Retainer	3	
34	06651	(020000-) Pulley Assembly	1	
35	28078	(020000-) Gasket	1	
36	01513	(020000-) Ring, Retaining	1	
37	28712	(020000-) V-Belt	1	
38	28714	(020000-) V-Belt	1	
39	08155	(020000-) Guide, Belt	1	
▽	28979	(020000-) Sheave Assembly, Adjustable	1	
▲	40	18125	(020000-) Sheave Half, Inner	1
▲	41	39330	(020000-) Screw, Nylon Set	2
▲	42	28387	(020000-) Spring, Tension	3
▲	43	28949	(020000-) Sheave Half, Outer	1
▲	44	18276	(020000-) Pin, Dowel	2
▲	45	28388	(020000-) Retainer	2
46	28168	(020000-) V-Belt	1	
47	00911	(020000-) Key, Square	1	
48	01500	(020000-) Arm, Side Sweep	1	
49	28121	(020000-) Sheave	1	
50	49708	(020000-) Ring, Split	1	
51	15173	(020000-) Pin, Clevis	1	
▽	52	06662	(020000-) Reducer Assembly	1
▲	53	07316-15	(020000-) Breather	1
▲	54	28010	(020000-) Bearing	4
▲	55	28144	(020000-) Pin, Roll	1
▲	56	28195	(020000-) Gear	1
▲	57	01513	(020000-) Ring, Retaining	2
▲	58	28084	(020000-) Seal, Oil	2
▲	59	28041	(020000-) Shaft, Reducer	1
▲	60	28194	(020000-) Worm	1

Fig. 7 – Sweeper/Scrubber Hopper Group

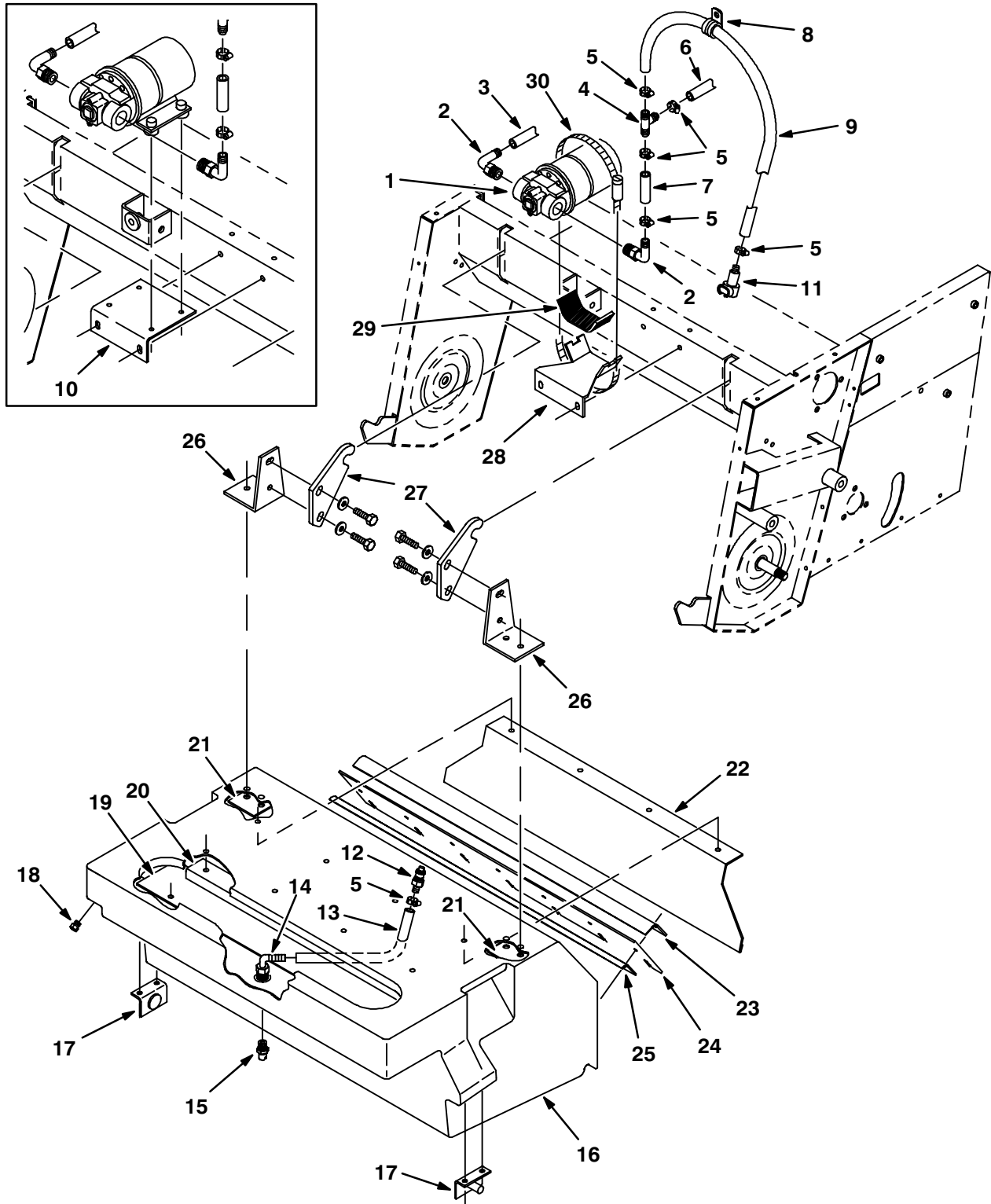


Fig. 7 – Sweeper/Scrubber Hopper Group

Key	TENNANT Part No.	Machine Serial Number	Description	Qty.
▽ 1	61669	(020000–)	Pump Assy, Water 36V	1
▲	49886	(020000–)	Housing, Flojet Pump	1
▲	19960	(020000–)	Pump Repair Kit, Water	1
2	33233	(020000–)	Ftg, Plstc, Elb, Barb.38Pt–.38 Hse	2
3	41295	(020000–)	Hose Vinyl Cl., 0.38 Idx48.00Lg	1
4	50895	(020000–)	Ftg–Plstc Tee	1
5	43844	(020000–)	Clamp–Wormdrive, 0.25–0.62D	6
6	50908	(020000–)	Hose Vinyl Cl.,0.25 Idx24.00Lg	1
7	50907	(020000–)	Hose Vinyl Cl.,0.38 Idx 2.00Lg	1
8	26395–1	(020000–)	Clamp–Cable, 0.56Dia 0.38 Wth	1
9	68301	(020000–)	Hose Vinyl Cl.,0.38 Idx27.00Lg	1
10	61676	(020000–020256)	Pump Mount Kit	1
11	12641	(020000–)	Ftg–Wtr Str Qkdisc Fem Bm06	1
12	12642	(020000–)	Ftg–Wtr Str Qkdisc Mal Bm06	1
13	63182–4	(020000–)	Hose Vinyl Cl., 0.38 Idx16.00Lg	1
14	03401	(020000–)	Ftg, Plstc,El90 .12Npt .38Barb	1
15	50906	(020000–)	Nozzle 95Deg Flat Spray	1
16	09363	(020000–)	Hopper, Swppr/Scrbr	1
17	09481	(020000–)	Bracket, Support Pin	2
18	50896	(020000–)	Ftg–Plug Npt 02Pm Hx Hd Plstc	1
19	61086	(020000–)	Strip, Deflector	1
20	50930	(020000–)	Angle, Stiffener Hopper	1
21	61087	(020000–)	Plate, Nut	2
22	09484	(020000–)	Angle, Deflector	1
23	09483	(020000–)	Angle, Hopper Lip Retainer	1
24	50775	(020000–)	Rubber, Hopper Lip	1
25	41306	(020000–)	Angle, Lip Retainer, Lower	1
26	09482	(020000–)	Bracket, Mounting	2
27	01132	(020000–)	Plate, Hopper Catch	2
28	61675	(020257–)	Bracekt, Pump Mount	1
29	28136	(020257–)	Bar–Flt .06T 1.50W 6.12L Rbr	1
30	43555	(020257–)	Clamp–Wormdrive, 1.62– 3.50D	1

Fig. 8 – Solution and Recovery Tank Group

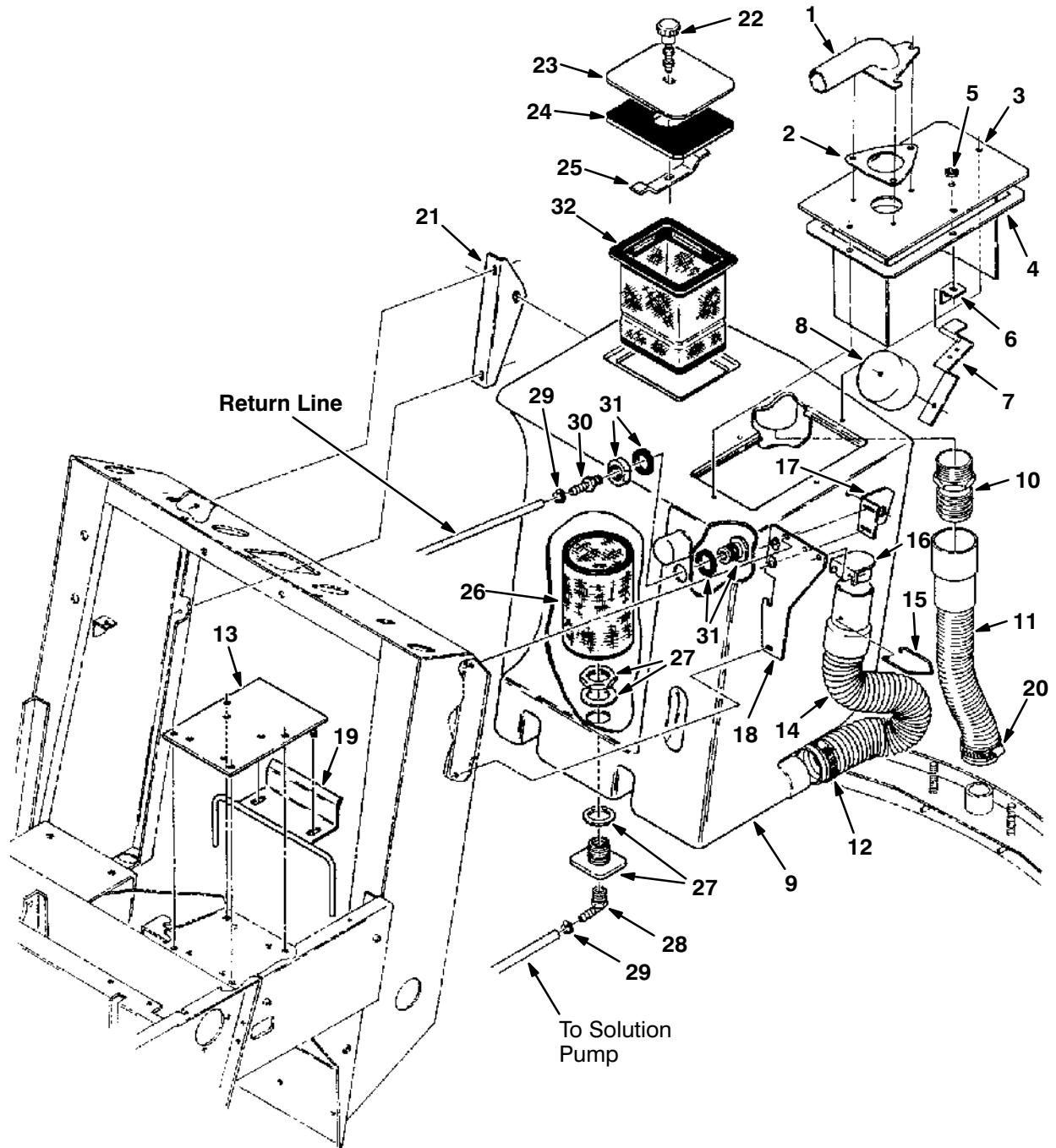


Fig. 8 – Solution and Recovery Tank Group

Key	TENNANT Part No.	Machine Serial Number	Description	Qty.
1	01520	(020000–)	Tube	1
2	29664	(020000–)	Gasket	1
3	01525	(020000–)	Plate, Float	1
4	01640	(020000–)	Gasket, Float Plate	1
5	76426	(020000–)	Washer, Sealing	1
6	63310	(020000–)	Bracket, L	1
7	45938–1	(020000–)	Bracket, Float Mounting	1
8	45937	(020000–)	Float, Vacuum Fan	1
9	50712	(020000–)	Tank, Solution/Recovery	1
10	01639	(020000–)	Fitting, Barbed Straight	1
11	01536	(020000–)	Hose, Squeegee	1
12	22297	(020000–)	Clamp, Worm Drive	1
13	01413	(020000–)	Support, Tank	1
14	30246	(020000–)	Hose, Drain	1
15	20267	(020000–)	Clip, Retainer	1
16	20215	(020000–)	Plug	1
17	01494	(020000–)	Bracket, Tie Down, L.H.	1
18	01499	(020000–)	Bracket, Pickup Handle	1
19	01534	(020000–)	Retainer	1
20	11531	(020000–)	Clamp, Worm Drive	1
21	50749	(020000–)	Bracket, Tie Down, R.H.	1
▽	10218	(020000–)	Cover and Seal Assembly, Recovery Tank	1
▲	22 87337	(020000–)	Latch, Door	1
▲	23 08091	(020000–)	Cover, Recovery Tank	1
▲	24 08092	(020000–)	Gasket, Cover	1
▲	25 08093	(020000–)	Pawl, Latch	1
	26 41304	(020000–)	Screen, Filter	1
	27 63727	(020000–)	Fitting, Bulkhead	1
	28 50844	(020000–)	Fitting, Elbow	1
	29 43844	(020000–)	Clamp, Cable	2
	30 50901	(020000–)	Fitting, Straight	1
	31 50905	(020000–)	Fitting, Bulkhead	1
	32 09479	(020000–)	Basket, Soap	1

Fig. 9 – Rear Squeegee Lift Group

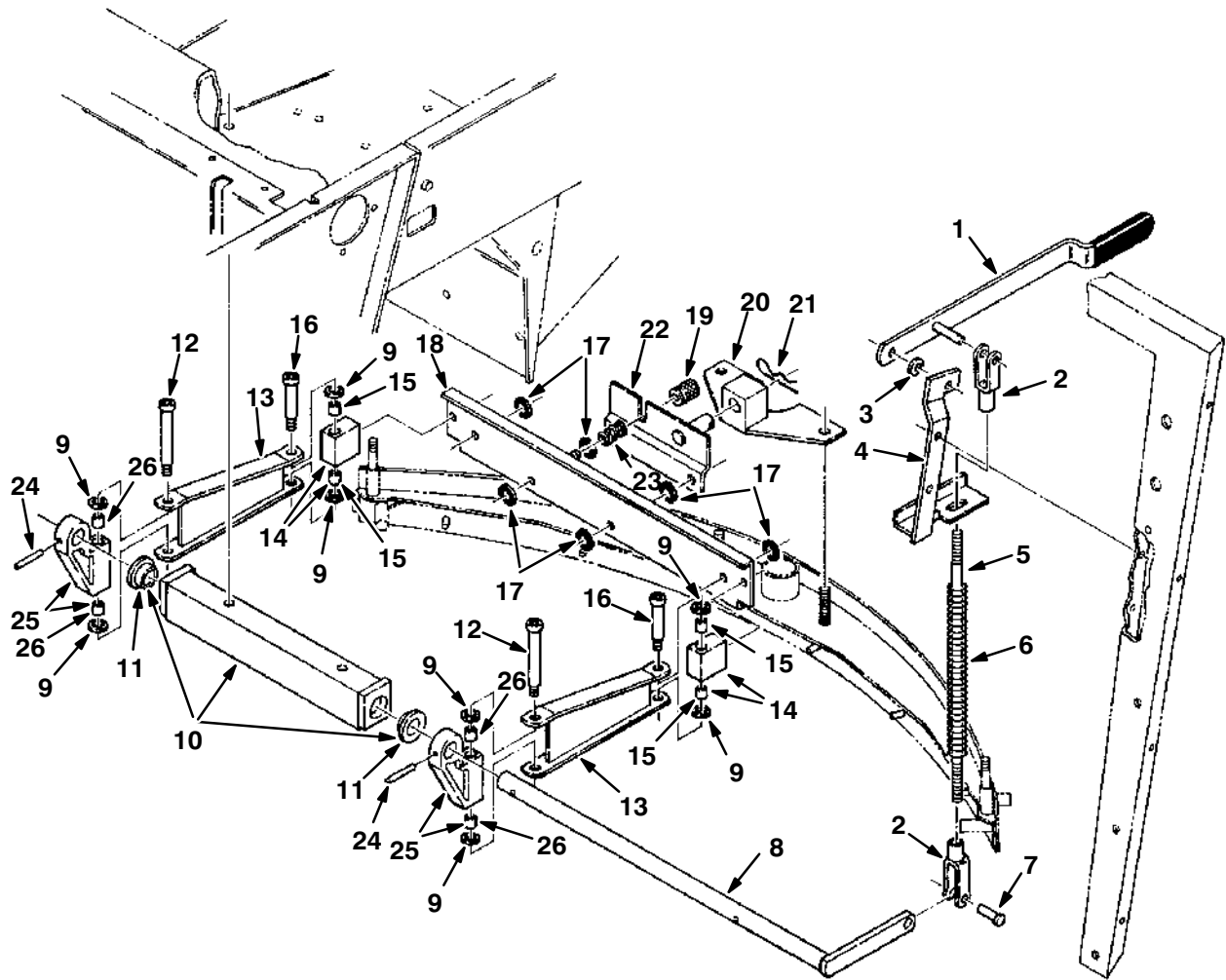
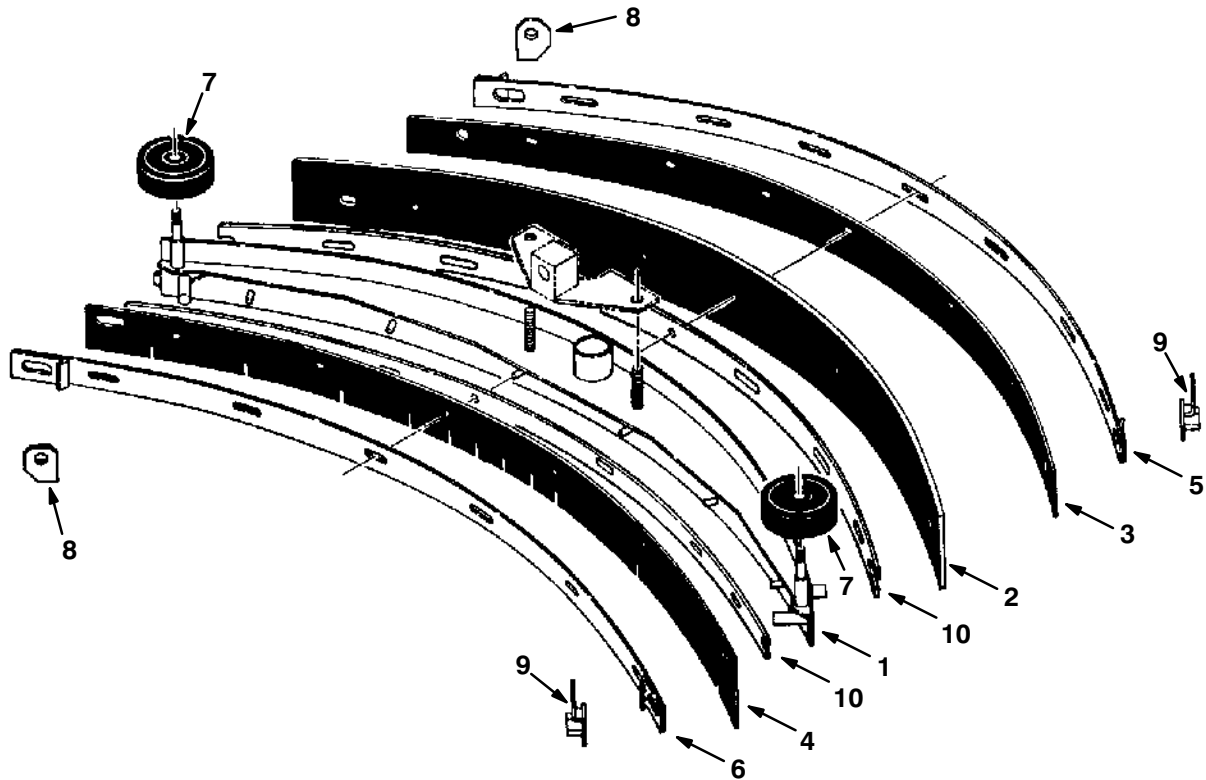


Fig. 9 – Rear Squeegee Lift Group

Key	TENNANT Part No.	Machine Serial Number	Description	Qty.
1	01559	(020000–)	Handle, Squeegee Lift	1
2	14330	(020000–)	Yoke, Adjustable	2
3	43454	(020000–)	Washer, Nylon	1
4	01498	(020000–)	Bracket, Pivot	1
5	01344	(020000–)	Rod, Squeegee Lift	1
6	75774	(020000–)	Spring, Compression	1
7	14331	(020000–)	Pin, Clevis	1
8	10361	(020000–)	Shaft, Squeegee Lift	1
9	43611	(020000–)	Washer, Nylon	8
▽ 10	01517	(020000–)	Bar Assembly, Pivot	1
▲ 11	01334	(020000–)	Bearing, Flange	2
12	01507	(020000–)	Screw, Shoulder	2
13	01532	(020000–)	Link, Squeegee	2
▽ 14	01510	(020000–)	Block Assembly, Hinge	2
▲ 15	01511	(020000–)	Bearing, Sleeve	2
16	01508	(020000–)	Screw, Shoulder	2
17	45089	(020000–)	Washer, Rubber	6
18	01347	(020000–)	Rail, Squeegee	1
19	45086	(020000–)	Knob, Adjustment	1
20	01555	(020000–)	Mount, Squeegee	1
21	44906	(020000–)	Pin, Hair Cotter	1
22	01345	(020000–)	Plate, Pivot	1
23	57889	(020000–)	Spring, Compression	1
24	26239	(020000–)	Pin, Roll	2
▽ 25	10386	(020000–)	Hinge Assembly, Arm	2
▲ 26	01511	(020000–)	Bearing, Sleeve	2

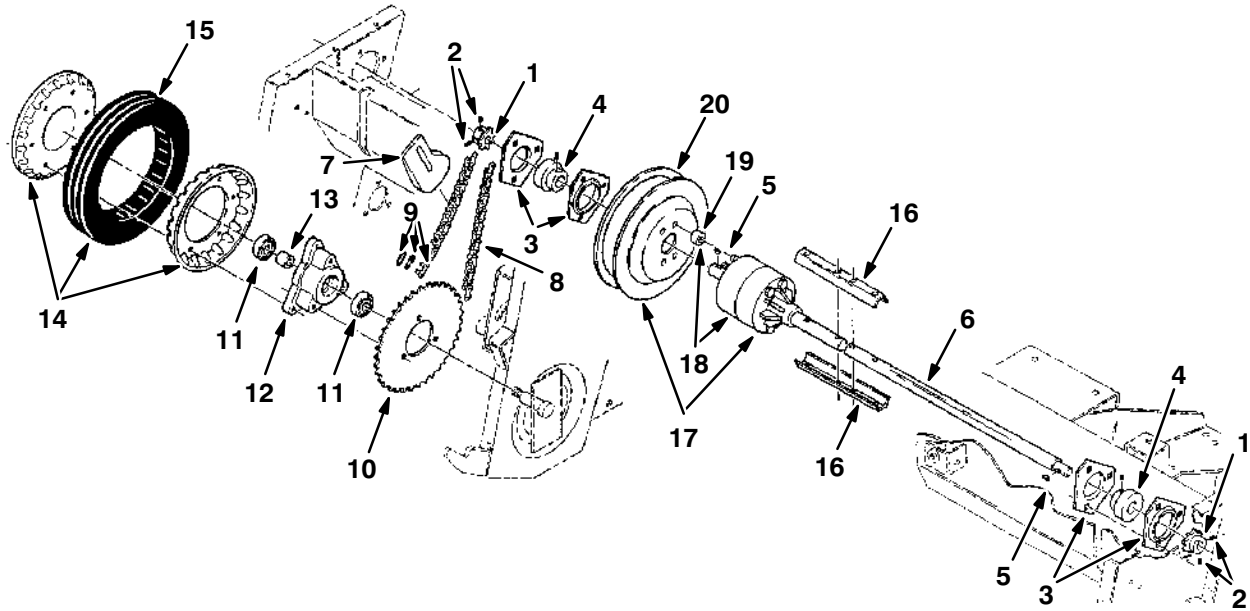
Fig. 10 – Rear Squeegee Group



06375

Key	TENNANT Part No.	Machine Serial Number	Description	Qty.
▽	41287	(020000–)	Squeegee Assembly	1
▲ 1	01502	(020000–)	Frame, Squeegee	1
▲▽	60025	(020000–)	Performance Package, Squeegee	1
▲▲ 2	50935	(020000–)	Blade, Squeegee	1
▲▲ 3	01657	(020000–)	Strip, Rear Backup	1
▲▲ 4	63967	(020000–)	Blade, Squeegee	1
▲ 5	63034	(020000–)	Band, Rear	1
▲ 6	63038	(020000–)	Band, Front	1
▲ 7	29653	(020000–)	Wheel, Solid	2
▲ 8	63327	(020000–)	Cam	2
▲ 9	63329	(020000–)	Cam	2
▲ 10	06481	(020000–)	Strip, Abrasive	2

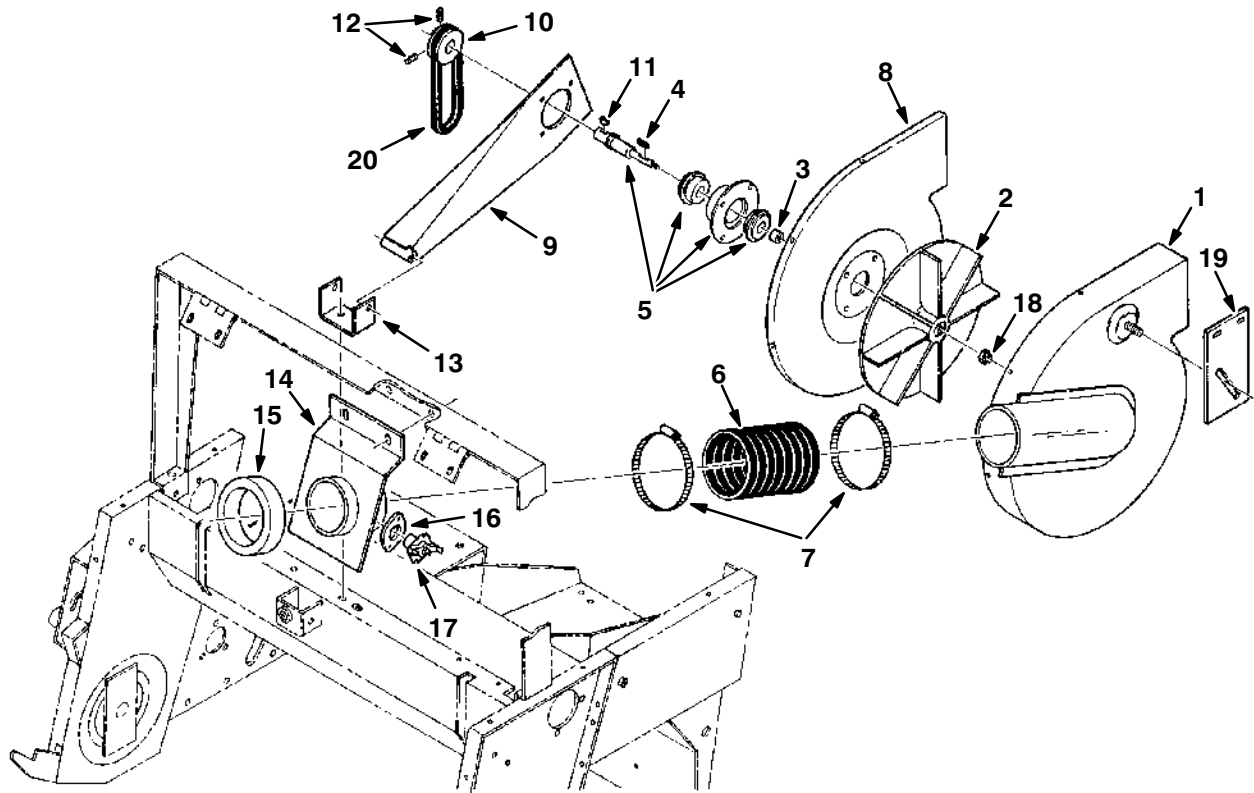
Fig. 11 – Wheel Drive Group



06369

Key	TENNANT Part No.	Machine Serial Number	Description	Qty.
1	30174	(020000–)	Sprocket	2
2	57496	(020000–)	Screw, Nylon Set	4
3	51137	(020000–)	Flange, Bearing	4
4	25887	(020000–)	Bearing and Collar	2
5	00500-1	(020000–)	Key, Woodruff	2
6	08152	(020000–)	Countershaft	1
7	08142	(020000–)	Guide, Chain	2
∇ 8	61414	(020000–)	Chain and Link Assembly	2
▲ 9	28272	(020000–)	Link	2
10	28865	(020000–)	Sprocket	2
11	28010	(020000–)	Bearing, Ball	4
12	01288	(020000–)	Hub, Wheel	2
13	28014A	(020000–)	Sleeve	2
∇ 14	28061	(020000–)	Wheel and Tire Assembly	2
▲ 15	28546	(020000–)	Tire	1
16	08145	(020000–)	Coupling, Half	2
∇ 17	30148	(020000–)	Differential and Sheave Assembly	1
▲∇ 18	61291	(020000–)	Rplmt Kit, Differential F/12960	1
▲▲ 19	61289	(020000–)	Sleeve, .315B .66D .33 Piron	4
▲ 20	30147	(020000–)	Sheave, Flat Belt	1

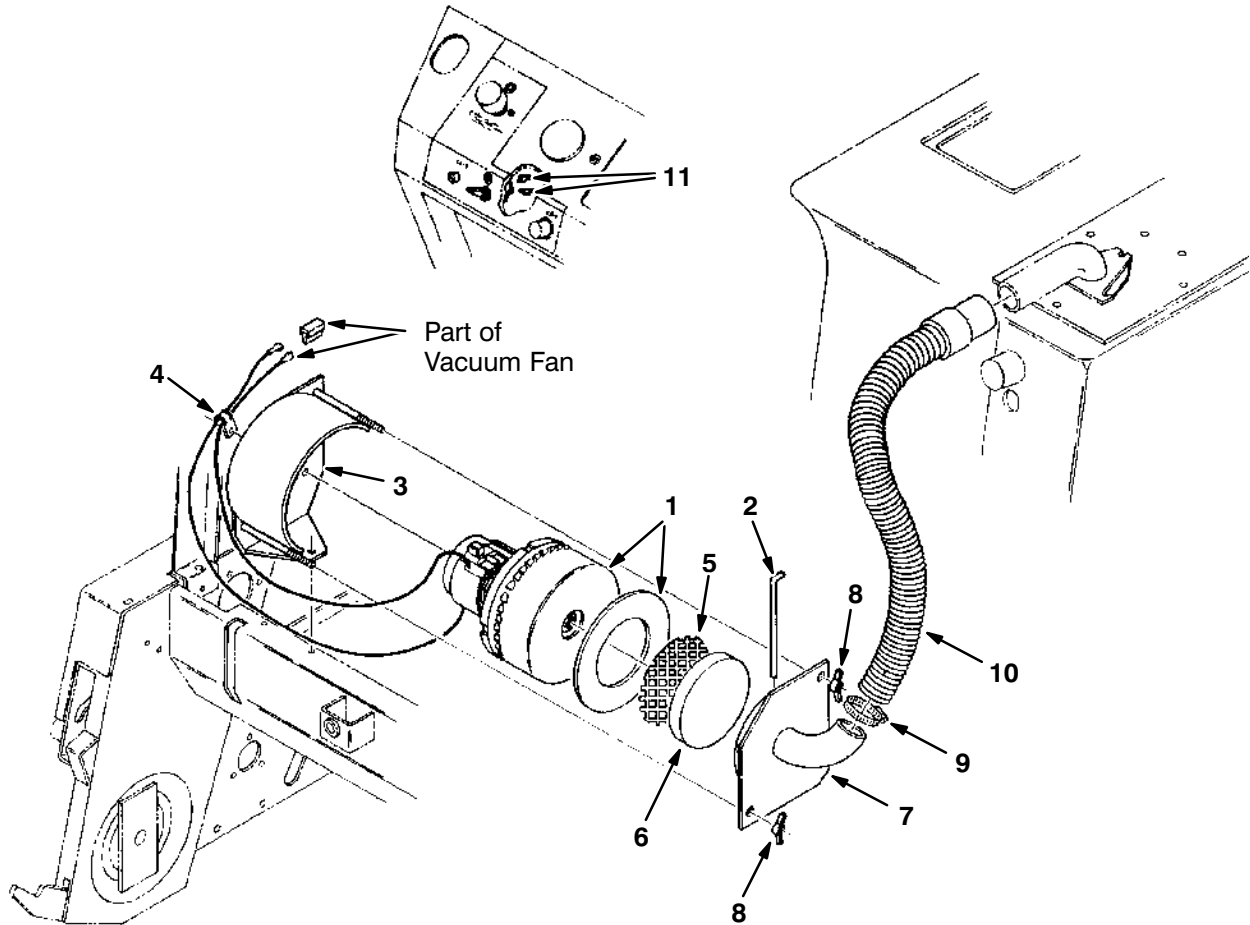
Fig. 12 – Vacuum Fan Group



06407

Key	TENNANT Part No.	Machine Serial Number	Description	Qty.
1	10352	(020000–)	Housing, Vacuum Fan	1
2	08143	(020000–)	Impeller	1
3	10362	(020000–)	Sleeve	1
4	00960	(020000–)	Key, Square	1
5	16934	(020000–)	Shaft, Bearing and Flange Assembly	1
6	23481	(020000–)	Hose	1
7	23498	(020000–)	Clamp, Worm Drive	2
8	02221	(020000–)	Plate, Housing Backing	1
9	01188	(020000–)	Arm, Fan Mount	1
10	01104	(020000–)	Sheave	1
11	00500–4	(020000–)	Key, Woodruff	1
12	46820	(020000–)	Screw, Nylon Set	2
13	01096	(020000–)	Bracket, Fan Pivot	1
14	41292	(020000–)	Adaptor, Filter To Fan	1
15	47069	(020000–)	Sleeve	1
16	82733	(020000–)	Gasket, Thermostat	1
17	02712	(020000–)	Thermostat, Sealed	1
18	87299	(020000–)	Nut, Flex Lock	1
19	10224	(020000–)	Plate, Backing	1
20	60470	(020000–)	V-Belt	1

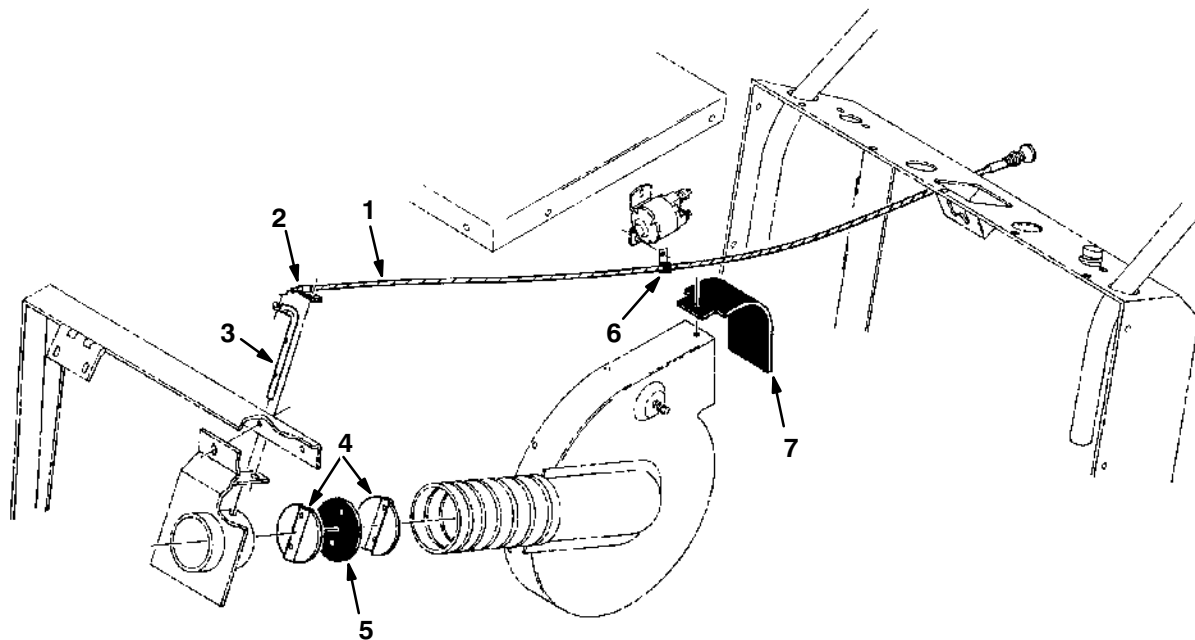
Fig. 13 – Scrub Vacuum Fan Group



06359

Key	TENNANT Part No.	Machine Serial Number	Description	Qty.
1	01475	(020000–)	Fan Assembly, Vacuum	1
2	01635	(020000–)	Rod, Retainer	1
3	06655	(020000–)	Mount, Vacuum Fan	1
4	26395–2	(020000–)	Clamp, Cable	1
5	63143	(020000–)	Screen	1
6	63144	(020000–)	Filter, Vacuum Fan	1
7	06657	(020000–)	Cover, Vacuum Fan	1
8	39272	(020000–)	Nut, Wing	2
9	11531	(020000–)	Clamp, Worm Drive	1
10	29693	(020000–)	Hose and Cuff Assembly	1
11	68106	(020000–)	Tab, Terminal	2

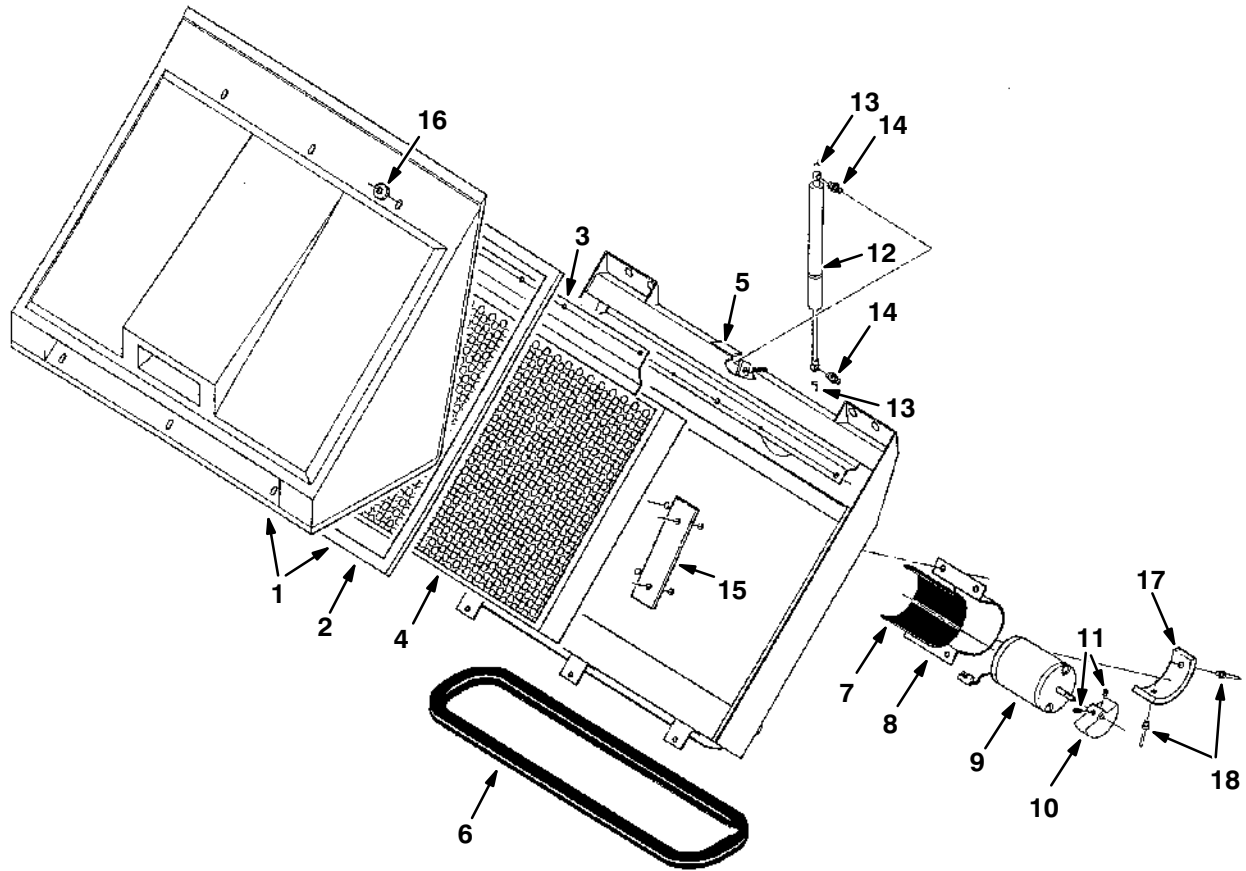
Fig. 14 – Vacuum Fan Shutoff Group



06360

Key	TENNANT Part No.	Machine Serial Number	Description	Qty.
1	08078	(020000–)	Cable, Control	1
2	26414	(020000–)	Clamp, Cable	1
3	41294	(020000–)	Lever, Damper	1
4	46140	(020000–)	Plate, Damper	2
5	46139	(020000–)	Seal	1
6	46236	(020000–)	Clamp, Cable	1
	49266	(020000–)	Tie, Cable	1
7	01261	(020000–)	Deflector	1

Fig. 15 – Filter and Shaker Motor Group

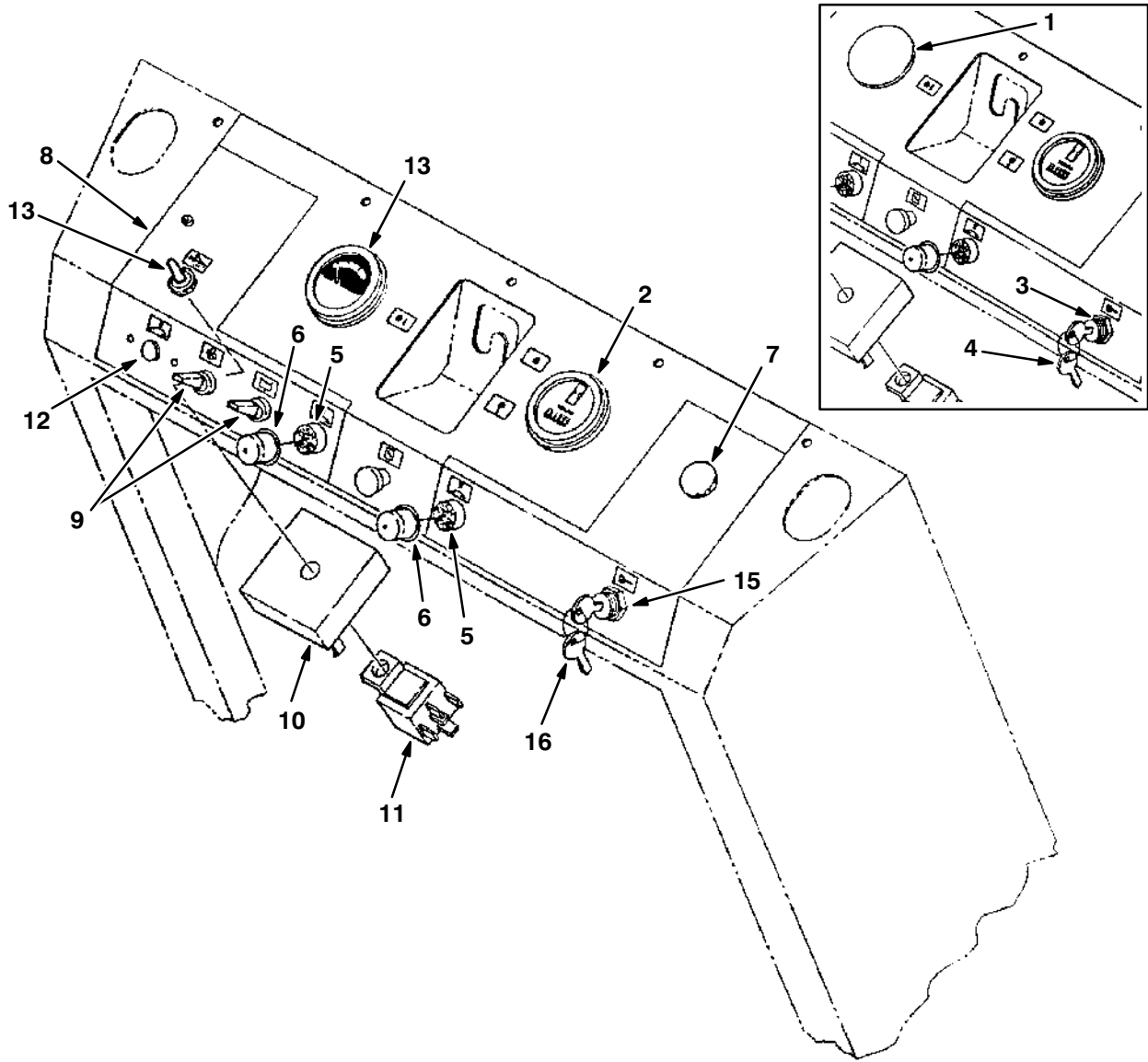


06351

Key	TENNANT Part No.	Machine Serial Number	Description	Qty.
▽ 1	06477	(020000–)	Cover, Filter Assembly	1
▲ 2	01064	(020000–)	Seal, Cover	1
3	01306	(020000–)	Bracket, Hold Down	1
▽ 4	87550	(020000–)	Filter Assembly	1
▲	65375	(020000–)	Gasket	1
5	41288	(020000–)	Box and Label Assembly, Filter	1
6	08157	(020000–)	Seal, Filter Opening	1
7	44893	(020000–)	Pad, Rubber	1
8	06659	(020000–)	Strap, Shaker Motor	1
9	54121	(020000–)	Motor, Electric	1
10	55130	(020000–)	Weight, Eccentric	1
11	20634	(020000–)	Screw, Nylon Set	2
12	31172	(020000–)	Spring, Gas	1
13	64595	(020000–)	Clip, Safety	2
14	58494	(020000–)	Stud, Spring Ball	2
15	25920	(020000–)	Plate, Support Shaker	1
16	30169	(020000–)	Washer, Sealing	6
17	06660	(020000–)	Bumper, Shaker	1
18	01335	(020000–)	Rivet, Pop	2

STANDARD MODEL PARTS

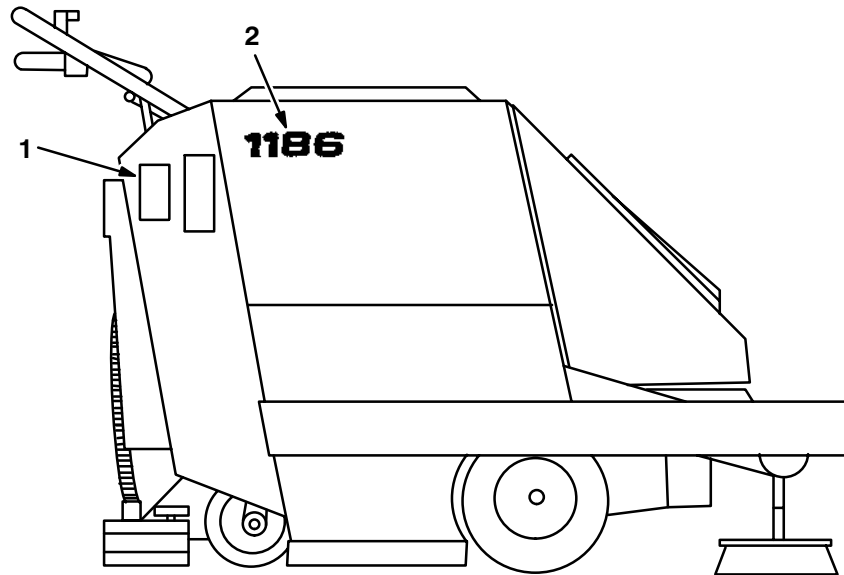
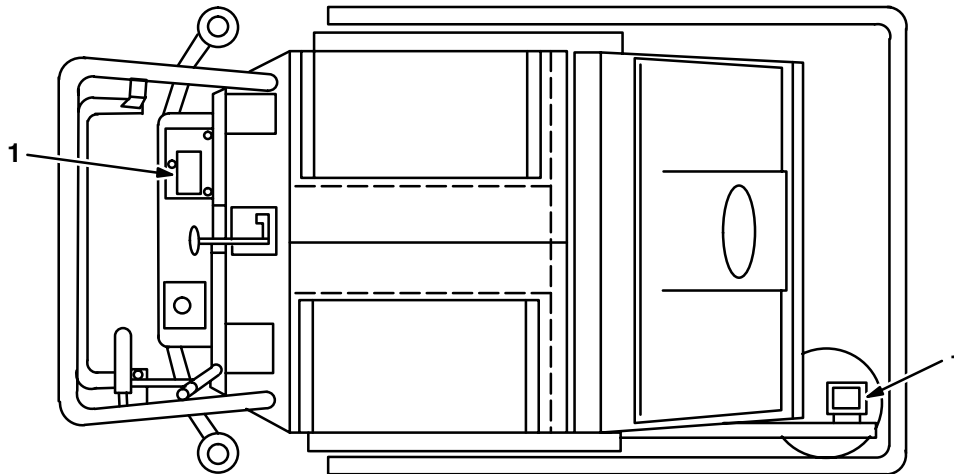
Fig. 16 – Instrument Panel Group



06356

Key	TENNANT Part No.	Machine Serial Number	Description	Qty.
1	82747	(020000–020195)	Plugbutton	1
2	34810	(020000–)	Meter, Hour	1
∇ 3	65374	(020000–020516)	Sealed Switch Assembly, Key	1
▲ 4	31204	(020000–020516)	Key, Switch	1
5	57803	(020000–)	Breaker, Circuit	2
6	57751	(020000–)	Boot, Circuit Breaker	2
7	01493	(020000–)	Plug, Plastic	1
8	50828	(020000–)	Label, Instrument Panel	1
9	63266	(020000–)	Switch	2
10	09338	(020000–)	Timer, Shaker	1
11	64730	(020000–)	Relay, SPDT	1
12	63030	(020000–)	Breaker, Circuit	1
13	60510	(020196–)	Meter, Volt 24V	1
14	70320	(020000–)	Switch	1
∇ 15	70323	(020517–)	Sealed Switch Assembly, Key	1
▲ 16	21570	(020517–)	Key, Switch	1

Fig. 17 – Label Group



06402

Key	TENNANT Part No.	Machine Serial Number	Description	Qty.
1	50926	(020000–)	Label Kit, Information and Hazard	1
2	50843	(020000–)	Label, 1186	1

Fig. 18 – Wire Harnesses Group

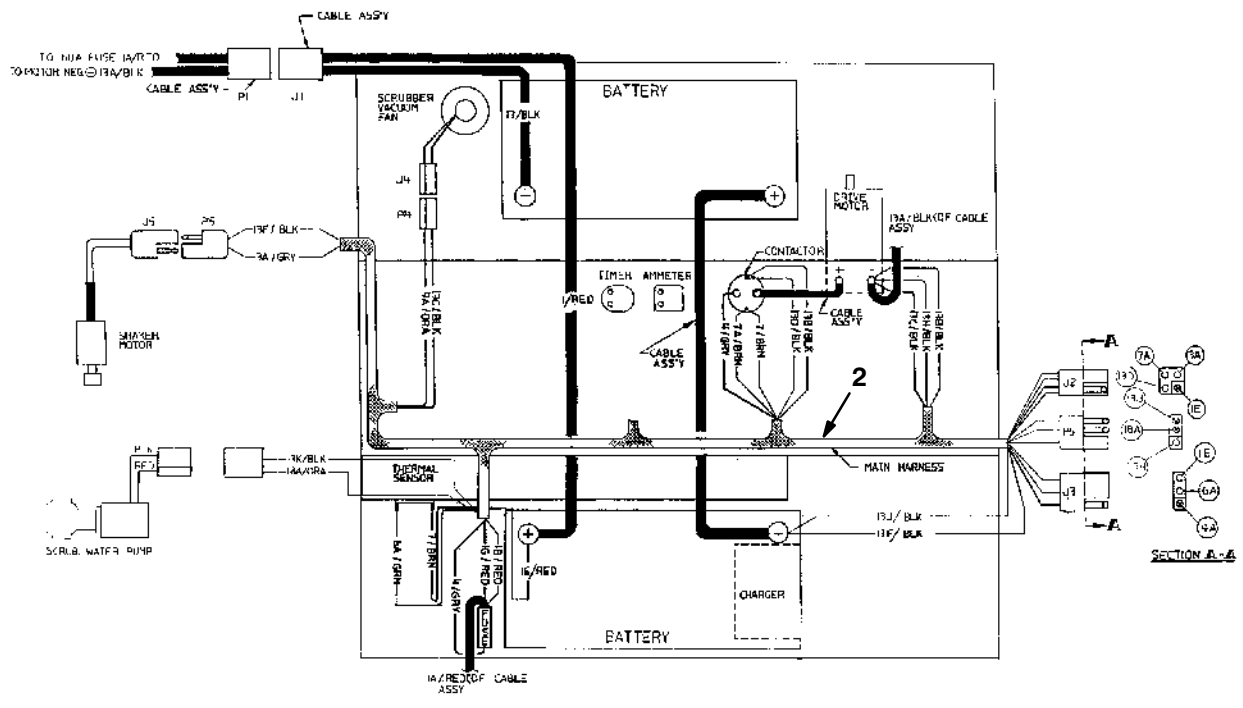
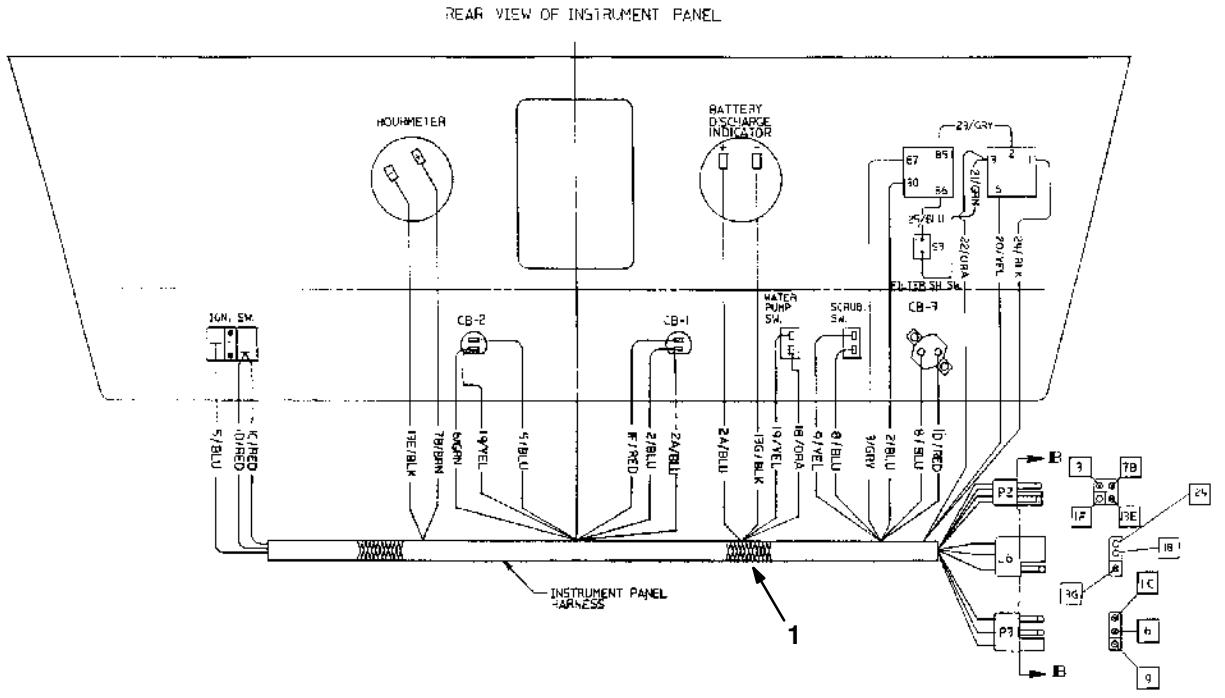
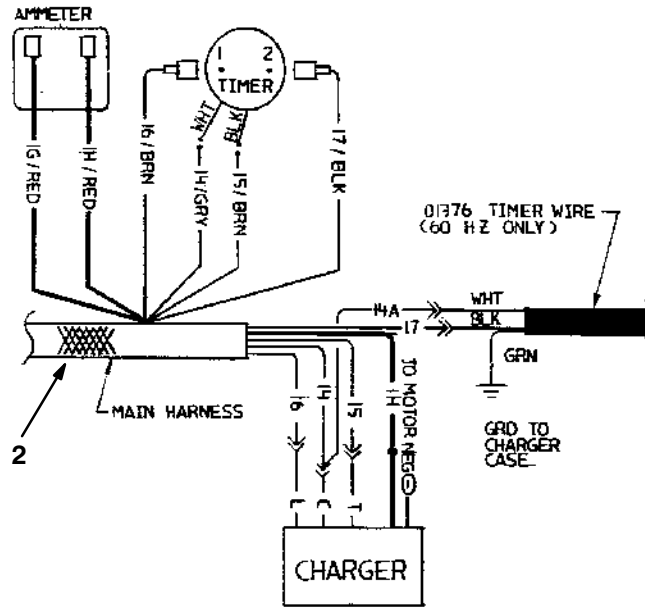


Fig. 18 – Wire Harnesses Group



"E" MACHINE
CHARGER WIRING

Key	TENNANT Part No.	Machine Serial Number	Description	Qty.
1	50803	(020000-020195)	Wire Harness, Insrument Panel	1
2	50802	(020000-020195)	Wire Harness, Main	1

06372

Fig. 19 – Wire Harnesses Group

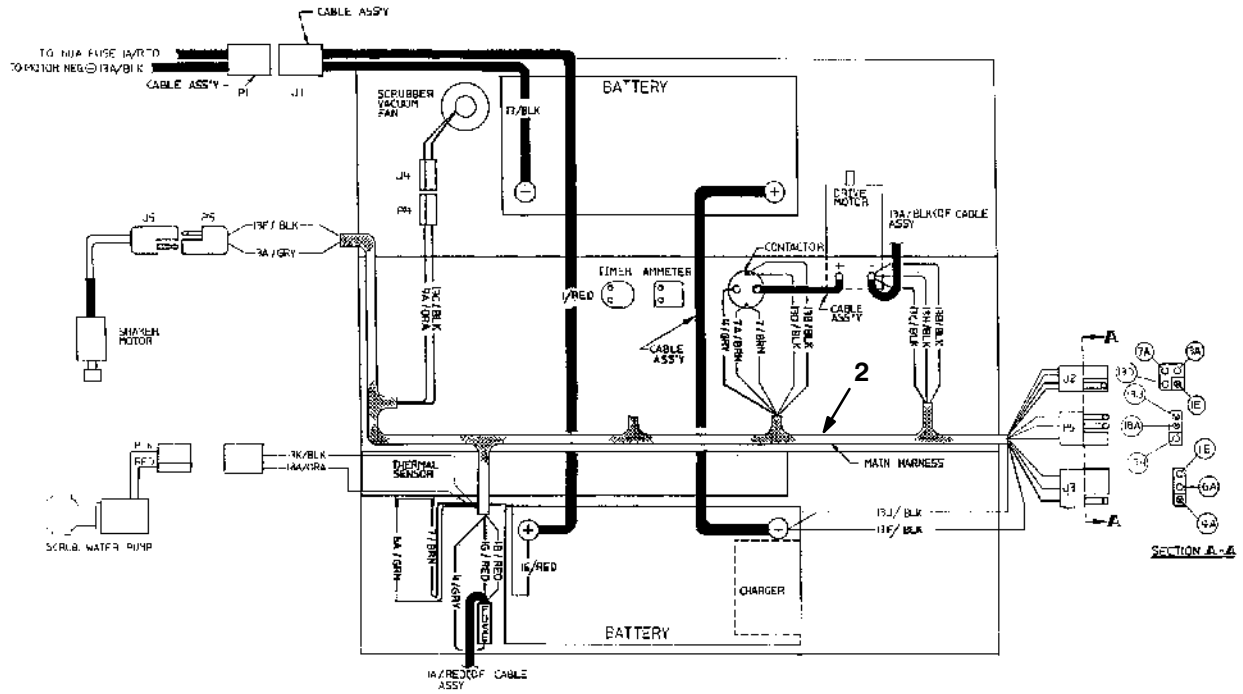
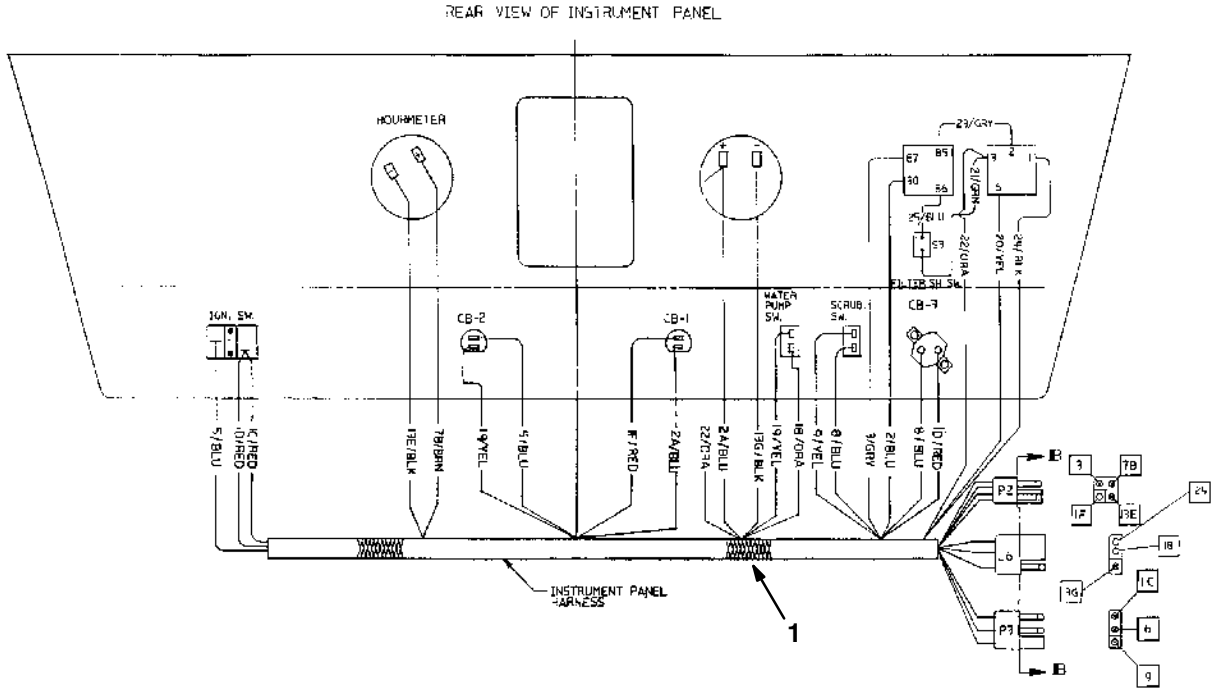
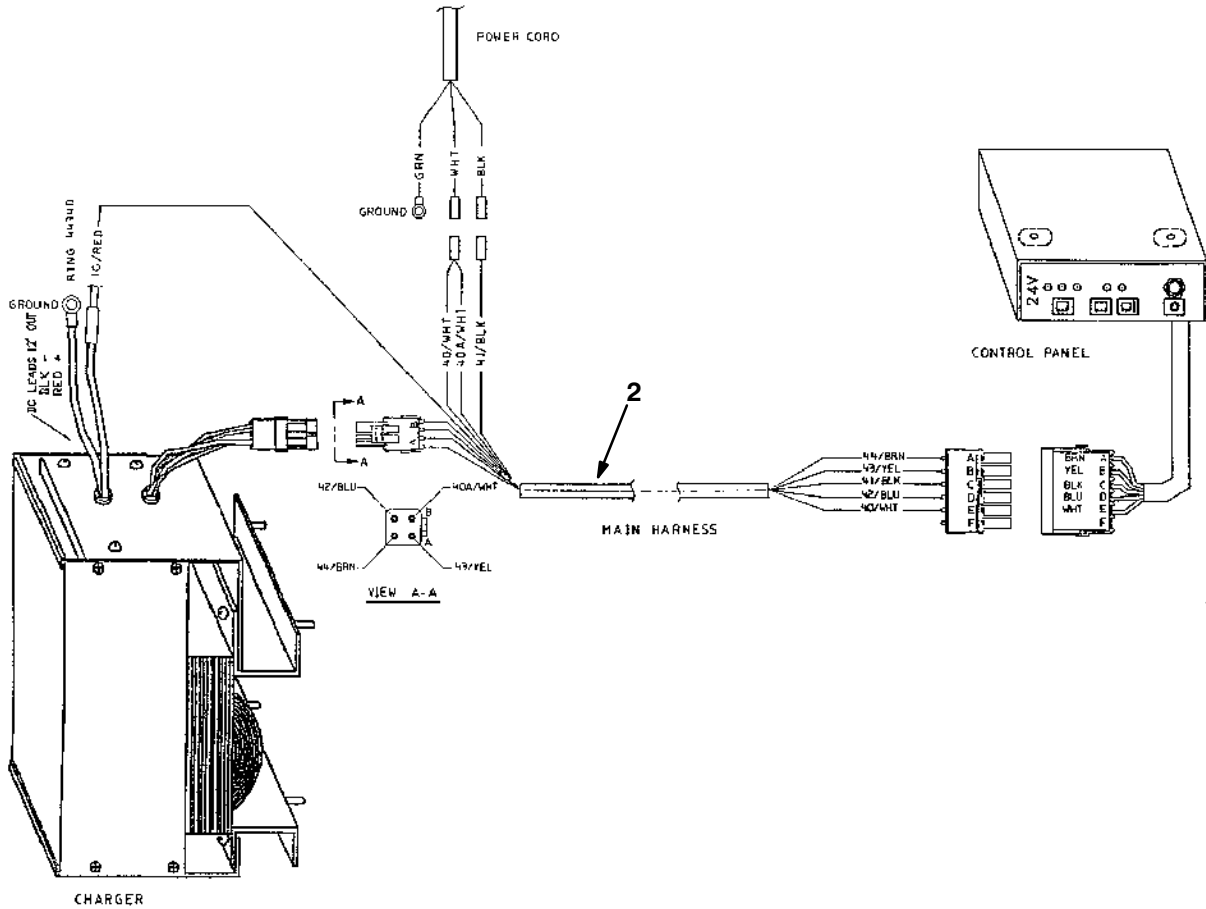


Fig. 19 – Wire Harnesses Group



06391

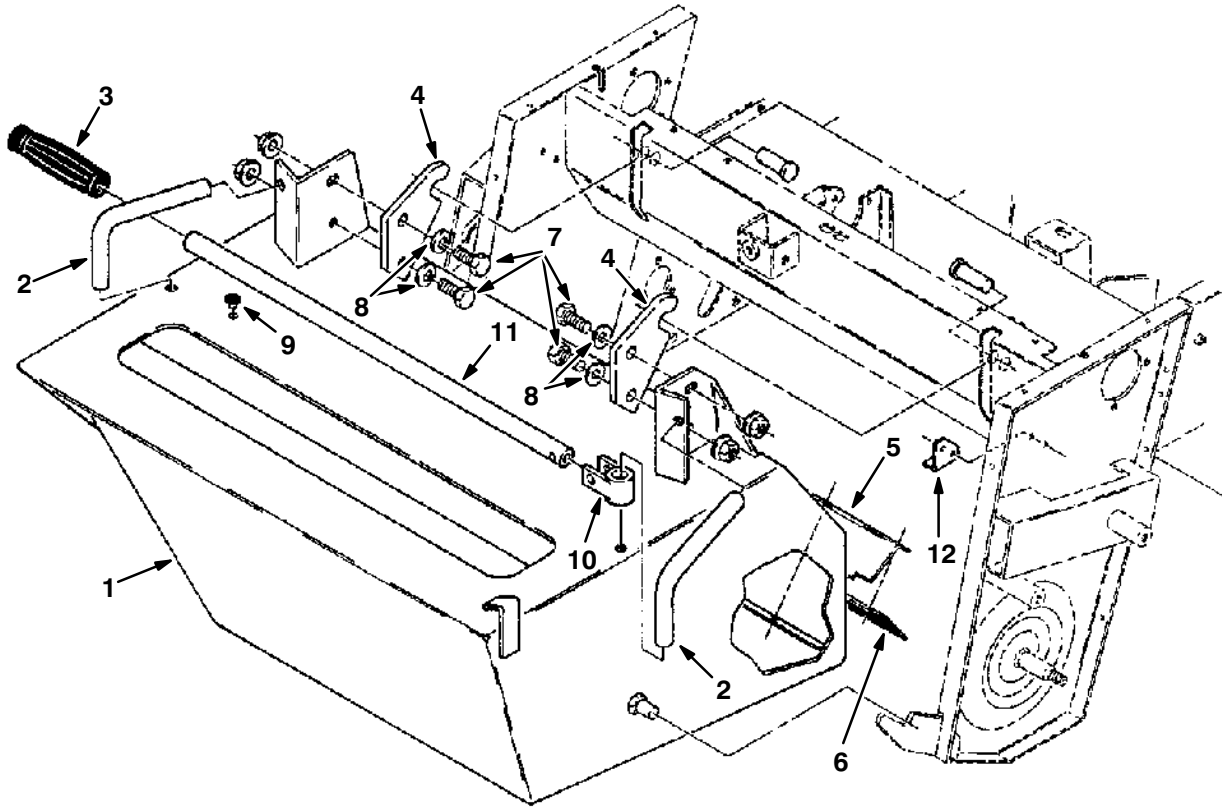
Key	TENNANT Part No.	Machine Serial Number	Description	Qty.
1	61671	(020196–)	Wire Harness, Instrumnt Panel	1
2	60488	(020196–)	Wire Harness, Main	1

SECTION 7

CONTENTS

	Page
Fig. 1 – Hopper Group	7-2
Fig. 2 – Side Scrub Brush Kit	7-3
Fig. 3 – Battery Kit, Wet	7-4
Fig. 4 – Battery Kit, Dry	7-5
Fig. 5 – Battery Charger and Timer Group	7-6
Fig. 6 – Battery Charger Group	7-7
Fig. 7 – Battery Charger Group	7-8
Fig. 8 – Dual Caster Group	7-9
Fig. 9 – Fire Extinguisher Kit	7-10
Fig. 10 – Battery Gauge Kit	7-11
Fig. 11 – Double Wheel Kit	7-12
Fig. 12 – Fine Particle Filter Kit	7-13
Fig. 13 – Lift and Tie-Down Kit	7-14
Fig. 14 – Documentation Group	7-16

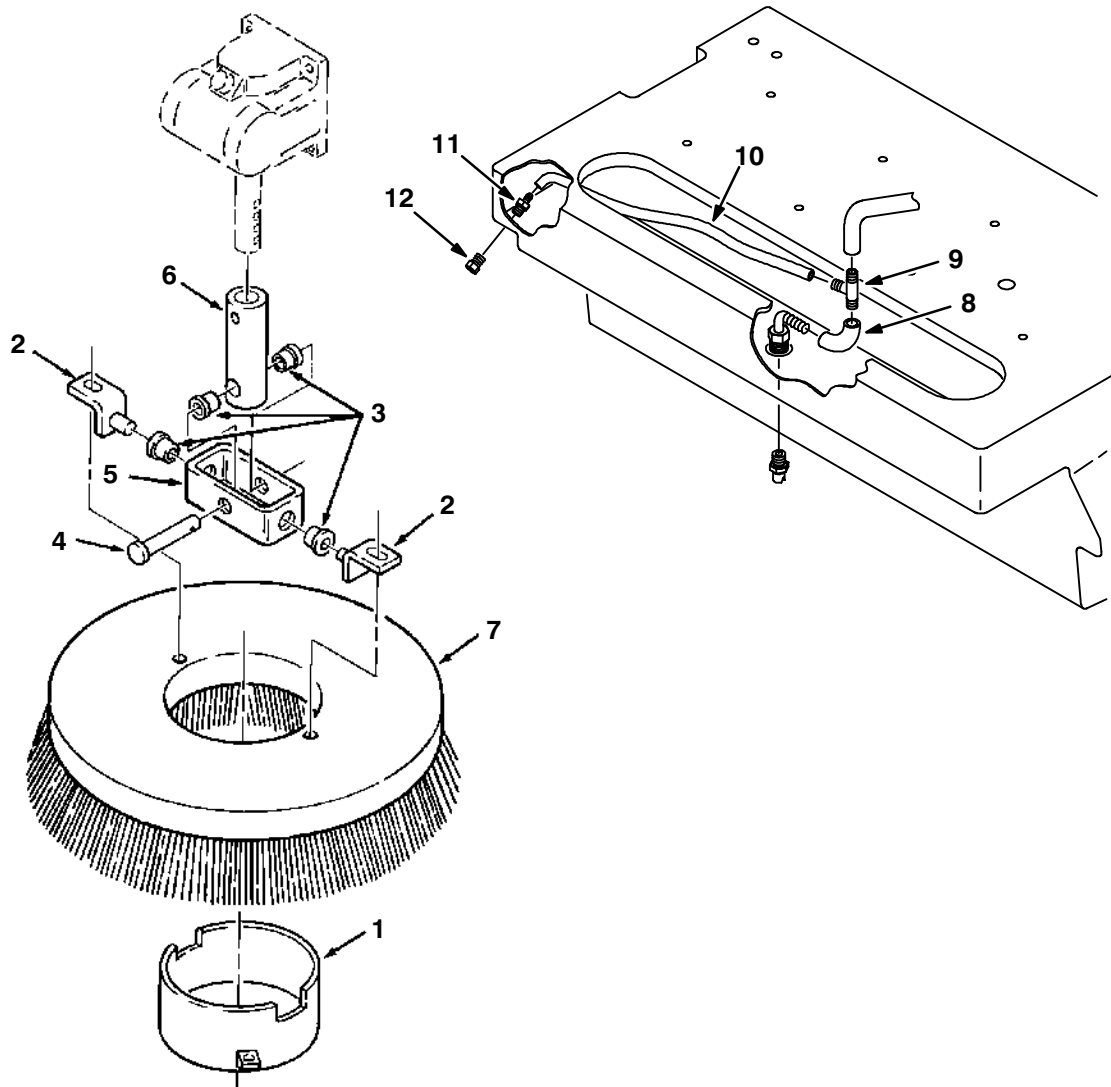
Fig. 1 – Hopper Group



06377

Key	TENNANT Part No.	Machine Serial Number	Description	Qty.
▽	60094	(020000–)	Hopper Assembly	1
▲ 1	01121	(020000–)	Hopper	1
▲ 2	01157	(020000–)	Handle, Hopper Lift	2
▲ 3	03292B	(020000–)	Grip, Handle	1
▲ 4	01132	(020000–)	Plate, Hopper Catch	2
▲ 5	31025	(020000–)	Retainer, Lip	1
▲ 6	28081	(020000–)	Lip Assembly, Pan	1
▲ 7	41620	(020000–)	Screw, Hex, G8	4
▲ 8	41186	(020000–)	Washer, Belleville	4
▲ 9	51787	(020000–)	Bumper, Rubber	1
▲ 10	12768	(020000–)	Knuckle, Handle	1
▲ 11	12769	(020000–)	Handle, Lift	1
▲ 12	61123	(020000–)	Angle, Stop	1

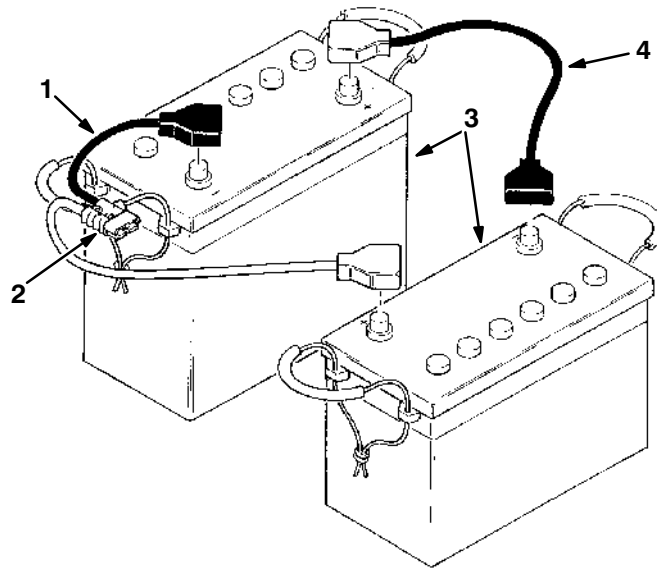
Fig. 2 – Side Scrub Brush Kit



06376

Key	TENNANT Part No.	Machine Serial Number	Description	Qty.
▽	60059	(020000–)	Side Scrub Brush Kit	1
▲ 1	29592	(020000–)	Ring	1
▲ 2	31039	(020000–)	Pivot	2
▲ 3	29585	(020000–)	Bushing, Flange	4
▲ 4	17461	(020000–)	Pin, Clevis	1
▲ 5	31037	(020000–)	Tube, Swivel Box	1
▲ 6	29586	(020000–)	Tube, Hub	1
▲ 7	29406	(020000–)	Side Brush, Scrubbing, Polypropylene	1
▲ 8	50907	(020000–)	Hose, Vinyl	1
▲ 9	50895	(020000–)	Fitting, Tee	1
▲ 10	42779	(020000–)	Hose, Vinyl	1
▲ 11	41276	(020000–)	Fitting, Straight	1
▲ 12	41277	(020000–)	Nozzle, Side Brush	1

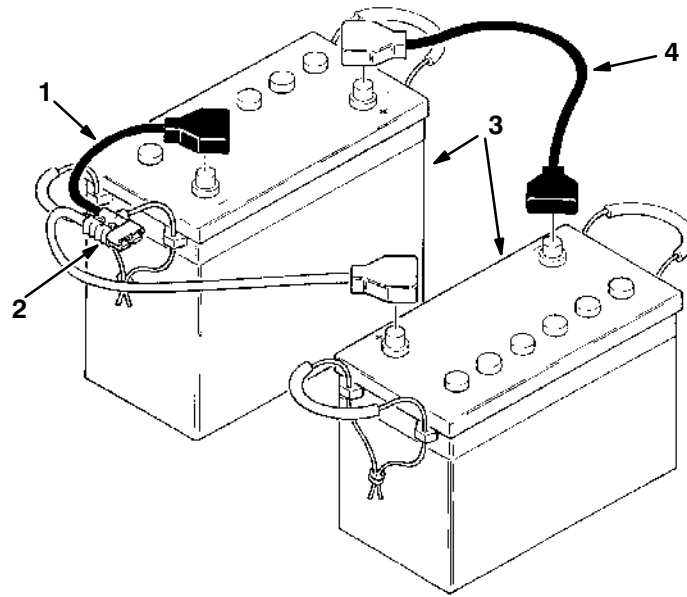
Fig. 3 – Battery Kit, Wet



04319

Key	TENNANT Part No.	Machine Serial Number	Description	Qty.
▽	06480	(000000–)	Battery Kit, Wet	1
▲▽ 1	01373	(000000–)	Cable Assembly, Battery	1
▲▲ 2	24881	(000000–)	Connector, Grey	1
▲ 3	01537	(000000–)	Battery, 140 A/h, Wet	2
▲ 4	01368	(000000–)	Wire Assembly	1

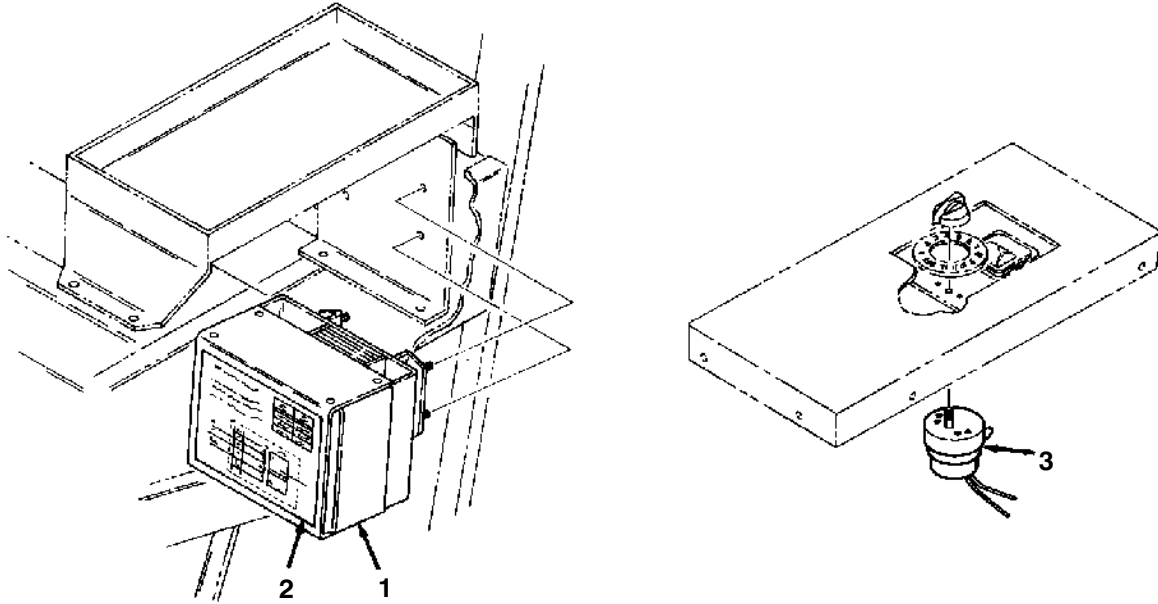
Fig. 4 – Battery Kit, Dry



04320

Key	TENNANT Part No.	Machine Serial Number	Description	Qty.
▽	06792	(000000–)	Battery Kit, Dry	1
▲▽ 1	01373	(000000–)	Cable Assembly, Battery	1
▲▲ 2	24881	(000000–)	Connector, Grey	1
▲ 3	01564	(000000–)	Battery, 140 A/h, Dry	2
▲ 4	01368	(000000–)	Wire Assembly	1

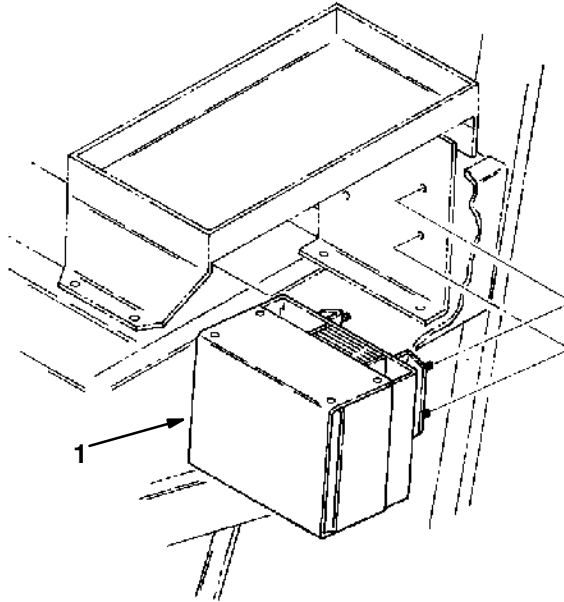
Fig. 5 – Battery Charger and Timer Group



06911

Key	TENNANT Part No.	Machine Serial Number	Description	Qty.
▽ 1	60520	(000000–020195)	Charger, Battery, 50 Hz	1
▲ 2	19889	(000000–020195)	Decal, Charger	1
3	41599	(000000–020195)	Switch, Timer, 50Hz	1

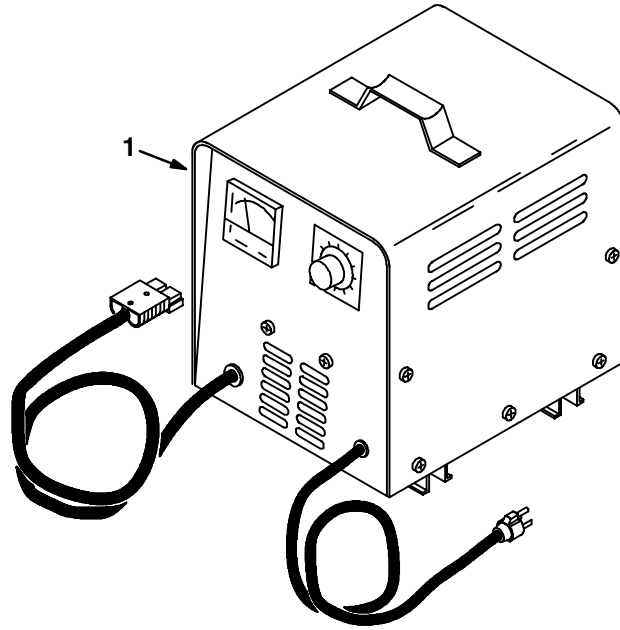
Fig. 6 – Battery Charger Group



06909

Key	TENNANT Part No.	Machine Serial Number	Description	Qty.
1	50116	(000000–)	Charger, Battery, 50 Hz	1

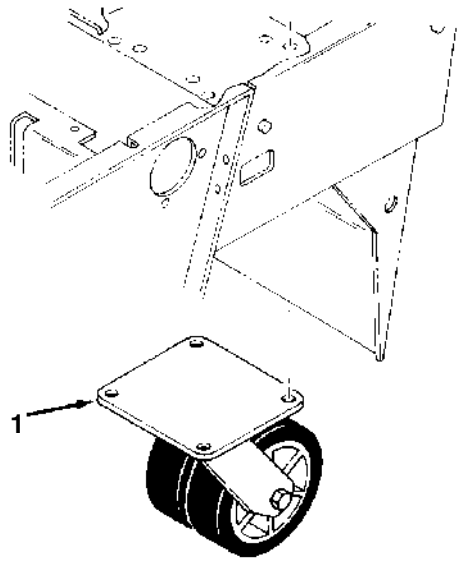
Fig. 7 – Battery Charger Group



05162

Key	TENNANT Part No.	Machine Serial Number	Description	Qty.
1	50094	(000000–)	Charger, Battery, 60 Hz	1

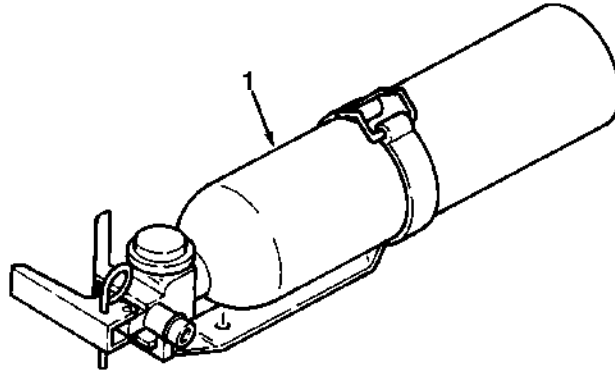
Fig. 8 – Dual Caster Group



03119

Key	TENNANT Part No.	Machine Serial Number	Description	Qty.
1	01266	(000000–)	Caster, Dual Wheeled	1

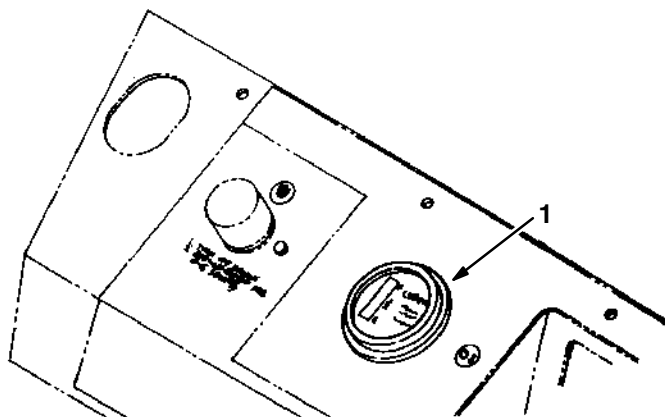
Fig. 9 – Fire Extinguisher Kit



02597

Key	TENNANT Part No.	Machine Serial Number	Description	Qty.
▽	46938	(000000–)	Extinguisher Kit, Fire	1
▲ 1	25312	(000000–)	Extinguisher, Fire	1

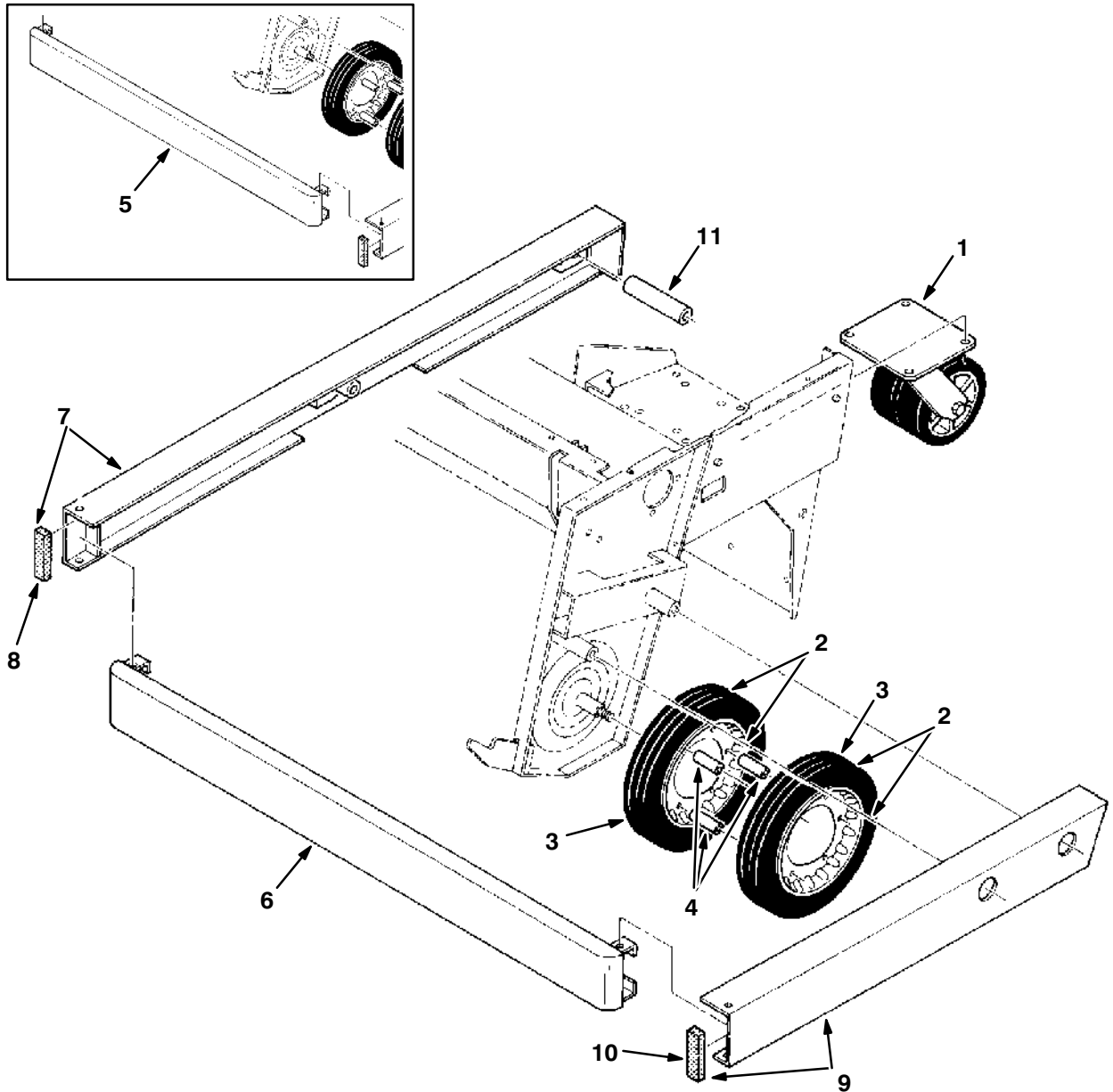
Fig. 10 – Battery Gauge Kit



07034

Key	TENNANT Part No.	Machine Serial Number	Description	Qty.
▽	06734	(000000–020195)	Gauge Kit, Battery	1
▲ 1	01378	(000000–020195)	Gauge, Battery	1

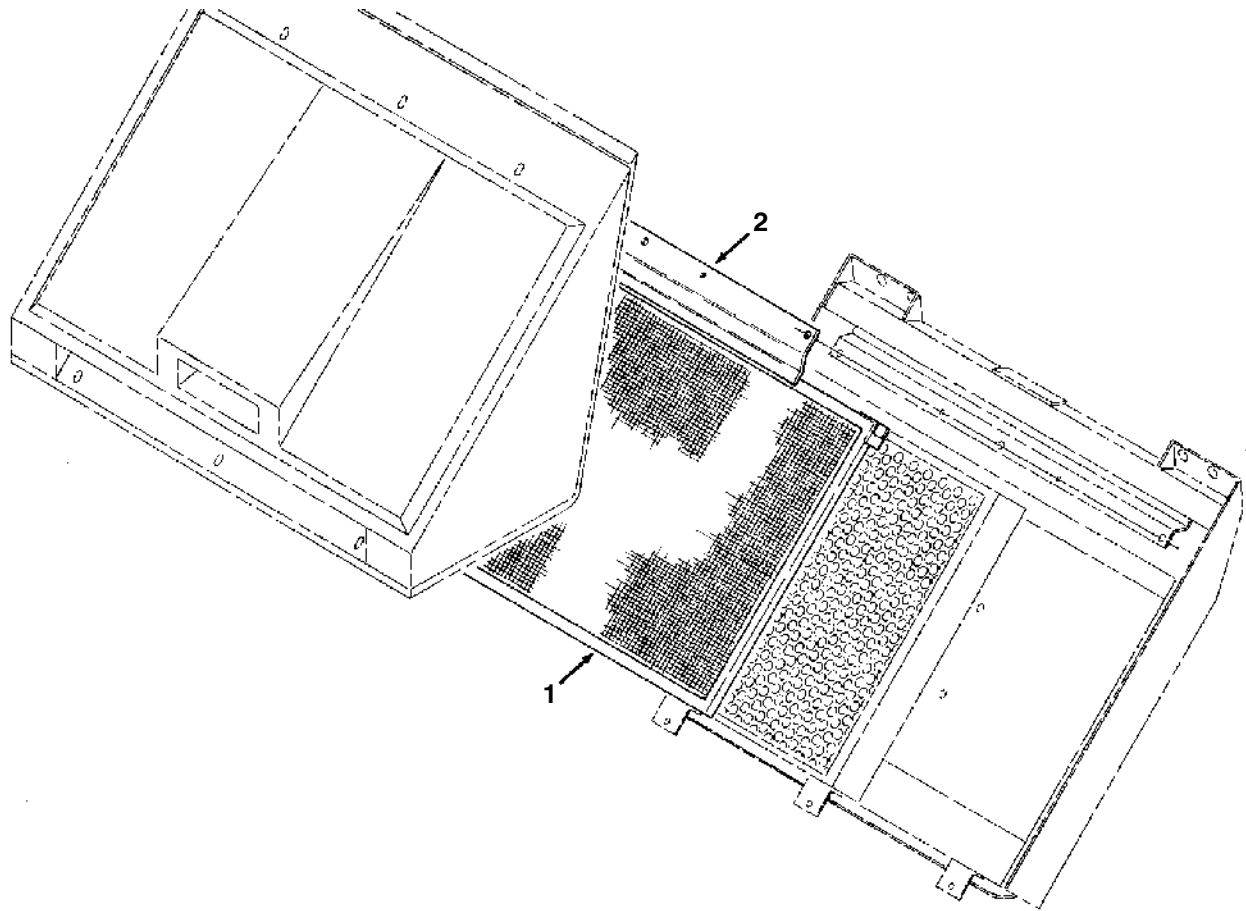
Fig. 11 – Double Wheel Kit



07032

Key	TENNANT Part No.	Machine Serial Number	Description	Qty.
▽	01040	(000000–)	Double Wheel Kit	1
▲	1	01266 (000000–)	Caster, Dual Wheeled	1
▲▽	2	47807 (000000–)	Tire and Wheel Assembly Non Marking	4
▲▲	3	28311 (000000–)	Tire	1
▲	4	27055 (000000–)	Sleeve	6
▲	5	61325 (000000–020262)	Replacement Kit, Front Bumper F/06812	1
▲	6	61323 (020263–)	Bumper, Front	1
▲▽	7	06813 (000000–)	Bumper Assembly, R.H.	1
▲▲	8	28988–1 (000000–)	Seal, Foam Rubber	1
▲▽	9	06815 (000000–)	Bumper Assembly, L.H.	1
▲▲	10	28988–1 (000000–)	Seal, Foam Rubber	1
▲	11	06826 (000000–)	Tube	1

Fig. 12 – Fine Particle Filter Kit



07558

Key	TENNANT Part No.	Machine Serial Number	Description	Qty.
▽	61450	(000000–)	Filter Kit, Fine Particle	1
▲ 1	32557	(000000–)	Filter Assembly, Fine Particle	1
▲ 2	01154	(000000–)	Bracket, Hold Down	1
	61447	(000000–)	Sheave	1

Fig. 13 – Lift and Tie-Down Kit

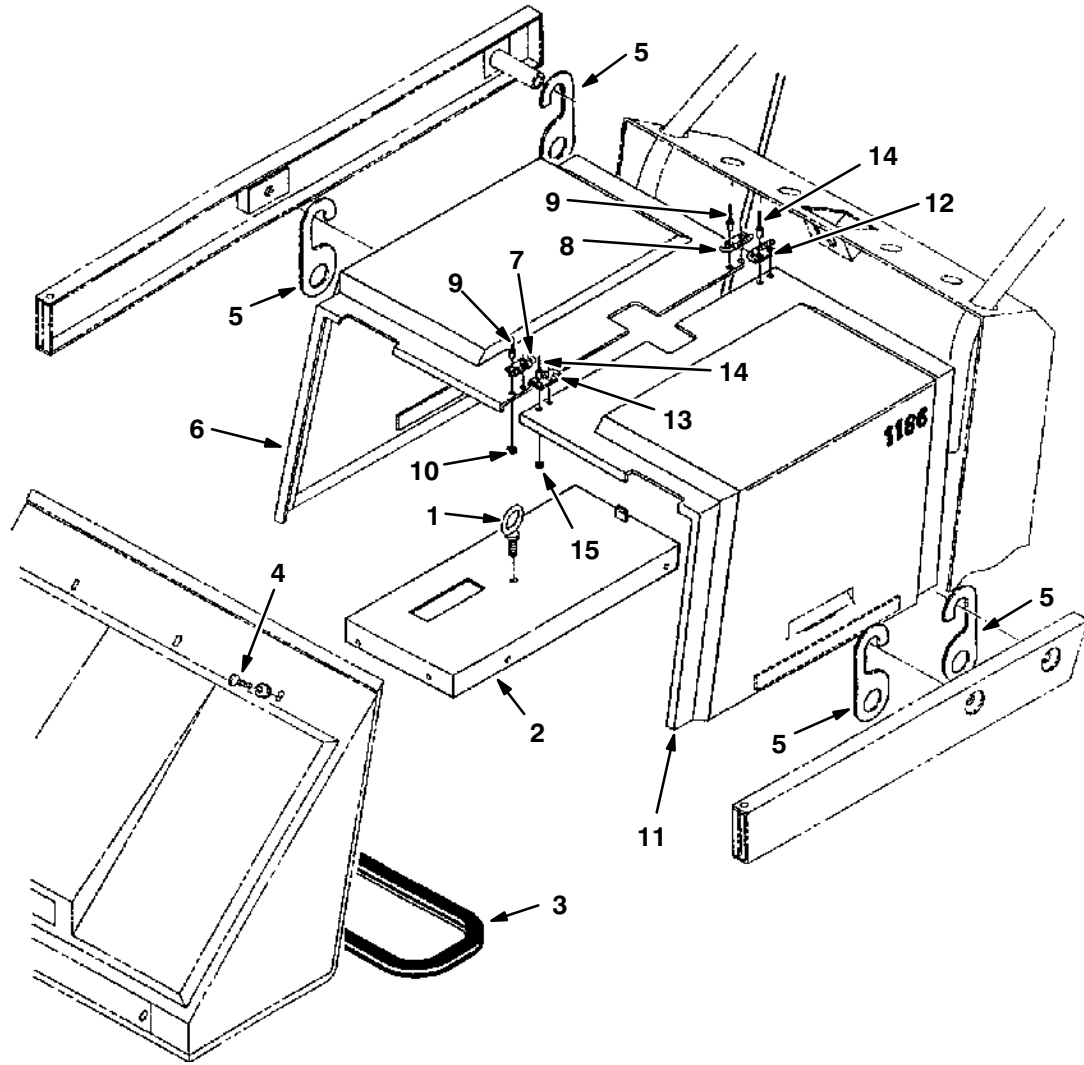
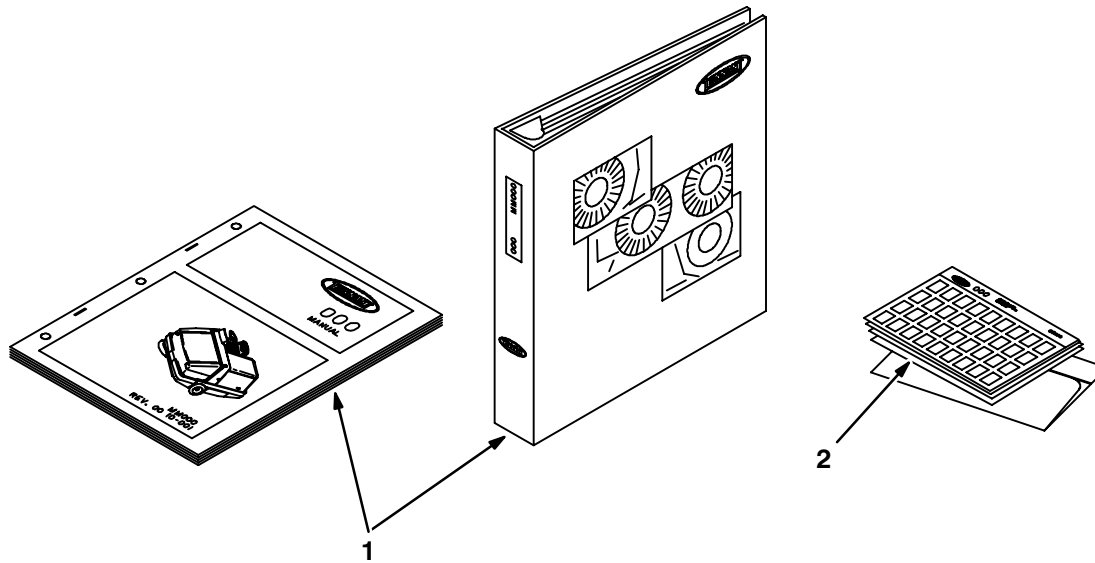


Fig. 13 – Lift and Tie-Down Kit

08034

Key	TENNANT Part No.	Machine Serial Number	Description	Qty.
▽	65367	(000000–)	Lift and Tie-Down Kit	1
▲▽	65363	(000000–)	Lift Kit	1
▲▲ 1	78556	(000000–)	Eyebolt	1
▲▲ 2	65371	(000000–)	Brace, Center	1
▲ 3	12082	(000000–)	Cover, Protective Filter	1
▲ 4	78557	(000000–)	Screw, Thumb	6
▲ 5	08077	(000000–)	Tie-Down	4
▲▽ 6	70311	(000000–)	Cover Assembly, R.H.	1
▲▲ 7	50832	(000000–)	Hinge, Pull Pin L.H.	1
▲▲ 8	50835	(000000–)	Hinge, Pull Pin R.H.	1
▲▲ 9	01335	(000000–)	Rivet, Soft	4
▲▲ 10	64757	(000000–)	Bumper, Rubber	3
▲▽ 11	70312	(000000–)	Cover Assembly, L.H.	1
▲▲ 12	50832	(000000–)	Hinge, Pull Pin L.H.	1
▲▲ 13	50835	(000000–)	Hinge, Pull Pin R.H.	1
▲▲ 14	01335	(000000–)	Rivet, Soft	4
▲▲ 15	64757	(000000–)	Bumper, Rubber	3

Fig. 14 – Documentation Group



10326/07501

Ref.	TENNANT Part No.	Machine Serial number	Description	Qty.
1	MM268	(000000–)	Manual Pkg 186E	1
2	85268	(000000–)	Manual–Fiche Pkg 186E	1

CONTENTS

	Page
Fig. 1 – Motor Breakdown	8-2

Fig. 1 – Motor Breakdown

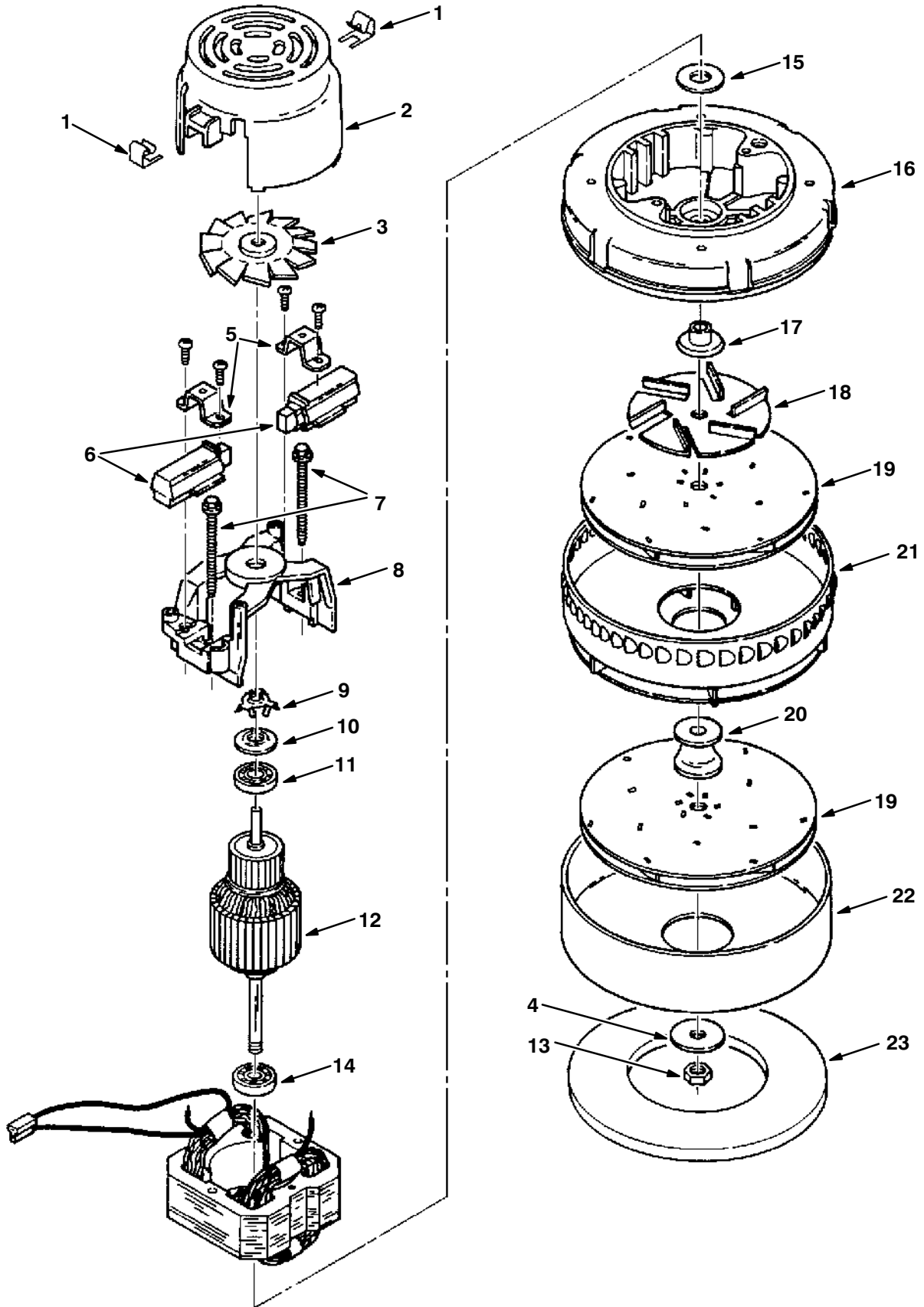


Fig. 1 – Motor Breakdown

Key	TENNANT Part No.	Manufacturer Serial Number	Description	Qty.
▽	01475	(000000–)	Fan Assembly, Vacuum	1
▲ 1	01967	(000000–)	Clip	2
▲ 2	37926	(000000–)	Housing	1
▲ 3	61298	(000000–)	Fan	1
▲ 4	18632	(000000–)	Washer	1
▲ 5	01982	(000000–)	Clamp	2
▲ 6	32323	(000000–)	Brush	2
▲ 7	01969	(000000–)	Screw	2
▲ 8	01983	(000000–)	Bracket	1
▲ 9	01856	(000000–)	Spring	1
▲ 10	37909	(000000–)	Disc	1
▲ 11	01842	(000000–)	Bearing	1
▲ 12	18633	(000000–)	Armature	1
▲ 13	37929	(000000–)	Nut	1
▲ 14	01837	(000000–)	Bearing	1
▲ 15	37912	(000000–)	Washer	1
▲ 16	01970	(000000–)	Bracket	1
▲ 17	18627	(000000–)	Spacer	1
▲ 18	01971	(000000–)	Fan	1
▲ 19	18628	(000000–)	Fan, Vacuum	2
▲ 20	18630	(000000–)	Spacer	1
▲ 21	18629	(000000–)	Fan, Stationary	1
▲ 22	18631	(000000–)	Shell	1
▲ 23	63319	(000000–)	Seal	1
▲	51408	(000000–)	Terminal	2
▲	51407	(000000–)	Connector	1

SECTION 9

CONTENTS

	PAGE
PART NUMBER TO PAGE NUMBER CROSS REFERENCE LIST	9-2

CROSS REFERENCE

PART NUMBER TO PAGE NUMBER CROSS REFERENCE LIST

Part Number	Page Number	Part Number	Page Number
MM268	7-15	01494	6-15
00500-1	6-19	01498	6-17
00500-4	6-7, 6-20	01499	6-15
00911	6-11	01500	6-11
00960	6-20	01502	6-18
01040	7-12	01507	6-17
01047	6-11	01508	6-17
01058	6-11	01510	6-17
01064	6-23	01511	6-17
01094	6-9	01513	6-11
01096	6-20	01517	6-17
01098	6-9	01520	6-15
01101	6-9	01525	6-15
01104	6-7, 6-20	01532	6-17
01105	6-9	01534	6-15
01112	6-7	01536	6-15
01113	6-7	01537	6-9, 7-4
01115	6-7	01555	6-17
01119	6-7	01559	6-17
01120	6-7	01564	7-5
01121	7-2	01635	6-21
01132	6-13, 7-2	01639	6-15
01134	6-7	01640	6-15
01138	6-10	01657	6-2, 6-18
01139	6-10	01739	6-7
01141	6-10	01740	6-7
01142	6-7	01837	8-3
01150	6-7	01842	8-3
01154	7-13	01856	8-3
01157	7-2	01967	8-3
01188	6-20	01969	8-3
01192	6-7	01970	8-3
01199	6-7	01971	8-3
01235	6-5	01982	8-3
01236	6-10	01983	8-3
01247	6-5	02076	6-9
01251	6-5	02221	6-20
01261	6-22	02424	6-9
01266	7-9, 7-12	02712	6-20
01288	6-19	02869	6-3
01306	6-23	03292B	7-2
01317	6-5	03401	6-13
01318	6-5	04930	6-9
01334	6-17	06469	6-5
01335	6-7, 6-23, 7-14	06477	6-23
01344	6-17	06480	7-4
01345	6-17	06481	6-18
01347	6-17	06651	6-11
01368	6-9, 7-4, 7-5	06655	6-21
01373	6-9, 7-4, 7-5	06657	6-21
01376	6-9	06659	6-23
01377	6-9	06660	6-23
01378	7-11	06662	6-11
01379	6-9	06734	7-11
01413	6-15	06792	7-5
01421	6-9	06813	7-12
01475	6-21, 8-3	06815	7-12
01493	6-24	06826	7-12

CROSS REFERENCE

Part Number	Page Number	Part Number	Page Number
07259	6-10	18630	8-3
07316-15	6-11	18631	8-3
08037	6-7	18632	8-3
08057	6-2, 6-5	18633	8-3
08077	7-14	18645	6-5
08078	6-22	19889	7-6
08091	6-15	19960	6-13
08092	6-15	20050	6-10
08093	6-15	20215	6-15
08142	6-19	20267	6-15
08143	6-20	20634	6-23
08145	6-19	21570	6-24
08147	6-10	22297	6-15
08152	6-19	23217	6-10
08155	6-11	23481	6-20
08156	6-5	23498	6-20
08157	6-23	24881	6-9, 7-4, 7-5
08703	6-2, 6-5	25312	7-10
09338	6-24	25887	6-19
09363	6-13	25920	6-23
09367	6-7	25921	6-7
09400	6-7	26103	6-10
09408	6-7	26212	6-11
09433	6-7	26239	6-11, 6-17
09473	6-7	26395-1	6-13
09479	6-15	26395-2	6-21
09480	6-5	26414	6-22
09481	6-13	27055	7-12
09482	6-13	28002	6-3
09483	6-13	28006	6-3
09484	6-13	28006N	6-3
09494	6-7	28007P	6-3
10218	6-15	28010	6-11, 6-19
10224	6-20	28014A	6-19
10226	6-5	28025	6-2, 6-5
10352	6-20	28026	6-2, 6-5
10361	6-17	28041	6-11
10362	6-20	28061	6-19
10386	6-17	28066	6-10
10632-12	6-7	28072	6-2, 6-5
11398	6-7	28074	6-10
11531	6-15, 6-21	28078	6-11
12063	6-5	28081	6-2, 6-5, 7-2
12082	7-14	28084	6-11
12641	6-13	28096N	6-3
12642	6-13	28096P	6-3
12768	7-2	28121	6-11
12769	7-2	28136	6-13
12955	6-7	28144	6-11
14330	6-10, 6-17	28168	6-11
14331	6-17	28172	6-3
15173	6-11	28194	6-11
16934	6-20	28195	6-11
17461	7-3	28234	6-3
18125	6-11	28235	6-3
18136	6-10	28250	6-2, 6-5
18276	6-11	28272	6-19
18627	8-3	28277-1	6-2, 6-5
18628	8-3	28277-2	6-2, 6-5
18629	8-3	28311	7-12

CROSS REFERENCE

Part Number	Page Number	Part Number	Page Number
28387	6-11	40678	6-9
28388	6-11	41186	7-2
28499	6-5	41276	7-3
28546	6-19	41277	7-3
28660	6-3	41287	6-18
28712	6-11	41288	6-23
28714	6-11	41289	6-9
28840	6-11	41292	6-20
28841	6-10	41294	6-22
28845A	6-11	41295	6-13
28849-1	6-11	41302	6-3
28850A	6-10	41304	6-15
28852	6-11	41305	6-5
28862	6-10	41306	6-13
28865	6-19	41599	7-6
28867	6-11	41609	6-9
28868	6-10	41620	7-2
28949	6-11	42779	7-3
28976	6-11	43454	6-17
28977	6-11	43555	6-13
28979	6-11	43611	6-17
28988-1	6-5, 7-12	43844	6-13, 6-15
29005	6-10	44340	6-9
29006	6-3	44893	6-23
29406	6-3, 7-3	44906	6-17
29408	6-3	45086	6-17
29545	6-7	45089	6-17
29585	7-3	45154	6-3
29586	7-3	45937	6-15
29592	7-3	45938-1	6-15
29653	6-18	46139	6-22
29664	6-15	46140	6-22
29688	6-9	46236	6-22
29693	6-21	46820	6-7, 6-20
29982	6-5	46938	7-10
30147	6-19	47037	6-2
30148	6-19	47069	6-20
30169	6-23	47807	7-12
30174	6-19	49266	6-22
30205	6-7	49708	6-11
30246	6-15	49886	6-13
31025	7-2	50049	6-9
31037	7-3	50050	6-9
31039	7-3	50094	7-8
31172	6-23	50116	7-7
31204	6-24	50474	6-9
32323	8-3	50711	6-5
32557	7-13	50712	6-15
32815	6-9	50718	6-7
32922	6-9	50749	6-15
33233	6-13	50775	6-13
34810	6-24	50802	6-27
37909	8-3	50803	6-27
37912	8-3	50821	6-7
37926	8-3	50828	6-24
37929	8-3	50832	6-7, 7-14
39272	6-21	50835	6-7, 7-14
39330	6-11	50843	6-25
39562	6-10	50844	6-15
40352	6-10	50895	6-13, 7-3

CROSS REFERENCE

Part Number	Page Number	Part Number	Page Number
50896	6-13	63030	6-24
50901	6-15	63034	6-18
50905	6-15	63038	6-18
50906	6-13	63143	6-21
50907	6-13, 7-3	63144	6-21
50908	6-13	63182-4	6-13
50909	6-7	63266	6-24
50910	6-7	63310	6-15
50926	6-25	63319	8-3
50930	6-13	63327	6-18
50931	6-5	63329	6-18
50935	6-2, 6-18	63727	6-15
50936	6-7	63967	6-2, 6-18
50938	6-5	64595	6-23
51137	6-19	64730	6-24
51407	8-3	64757	6-7, 7-14
51408	8-3	65363	7-14
51787	7-2	65367	7-14
52508	6-7	65371	7-14
54121	6-23	65374	6-24
55130	6-23	65375	6-23
57496	6-19	65548	6-5
57751	6-24	68106	6-21
57803	6-24	68301	6-13
57889	6-17	69582	6-7
58311	6-7	70311	7-14
58494	6-23	70312	7-14
60025	6-2, 6-18	70320	6-24
60027	6-2	70323	6-24
60059	7-3	70326	6-7
60094	7-2	75774	6-17
60470	6-20	76426	6-15
60488	6-29	78556	7-14
60510	6-24	78557	7-14
60519	6-9	82733	6-20
60520	7-6	82747	6-24
60523	6-9	85268	7-15
61063	6-7	87246	6-7
61067	6-7	87299	6-20
61086	6-13	87337	6-15
61087	6-13	87550	6-23
61104	6-9		
61106	6-9		
61123	7-2		
61289	6-19		
61291	6-19		
61298	8-3		
61322	6-5		
61323	7-12		
61324	6-5		
61325	7-12		
61326	6-5		
61327	6-5		
61414	6-19		
61447	7-13		
61450	7-13		
61669	6-13		
61671	6-29		
61675	6-13		
61676	6-13		

Fold along dotted lines

Tape here



NO POSTAGE
NECESSARY
IF MAILED
IN THE
UNITED STATES

BUSINESS REPLY MAIL

FIRST CLASS MAIL PERMIT NO. 94 MINNEAPOLIS, MN

POSTAGE WILL BE PAID BY ADDRESSEE

TENNANT COMPANY

Technical Publications #15
701 North Lilac Drive
P.O. Box 1452
Minneapolis, MN 55440-9947





We Need Your Help...

As part of Tennant's Zero Defects Program, we want to know about errors you have found or suggestions you may have regarding our machine manuals. If you find an error or have a suggestion, please complete this postage-paid form and mail it to us. Thank you for helping us make zero defects a way of life at Tennant.

Manual No. _____ Rev. No. _____ Publish Date _____ Page _____

Machine _____ Report Error Suggestion

Name _____ Date _____

Customer Number _____

Company _____

Address _____

City/State/Zip Code _____

Fold along dotted lines

Tape here



NO POSTAGE
NECESSARY
IF MAILED
IN THE
UNITED STATES

BUSINESS REPLY MAIL
FIRST CLASS MAIL PERMIT NO. 94 MINNEAPOLIS, MN

POSTAGE WILL BE PAID BY ADDRESSEE

TENNANT COMPANY

Technical Publications #15
701 North Lilac Drive
P.O. Box 1452
Minneapolis, MN 55440-9947



TENNANT SERVICE LITERATURE AVAILABLE...

A variety of information is available to you in forms to suit your needs. The following is a list of those publications that relate to the Model 1186 family of machines:

Machine Model	Publication	Form	TENNANT Part No.
1186	Operation, Maintenance, and Parts Manual	Printed	MM267
1186E	Operation, Maintenance, and Parts Manual	Printed	MM268
1186	Operation, Maintenance, and Parts Manual	Microfiche	85267
1186E	Operation, Maintenance, and Parts Manual	Microfiche	85268
1186	Operator Handbook	Printed	MM269
1186E	Operator Handbook	Printed	MM269
1186	Kolher® M8 Engine Service Manual	Printed	38977

Keep your manuals in a safe, convenient location for your future reference in order to operate, maintain, and order repair parts for your machine. Everyone who operates, maintains, or purchases parts for the machine should have easy access to a copy of the manual.

To get pricing information or to order copies of these publications, contact your nearest TENNANT parts warehouse, distributor, or sales representative.