

**FLOOR**EQUIPMENT**PARTS.COM**



# 2510/2550

Dust Control Burnisher

**Model No.:**

607598 – 2510

607599 – 2510 Pac

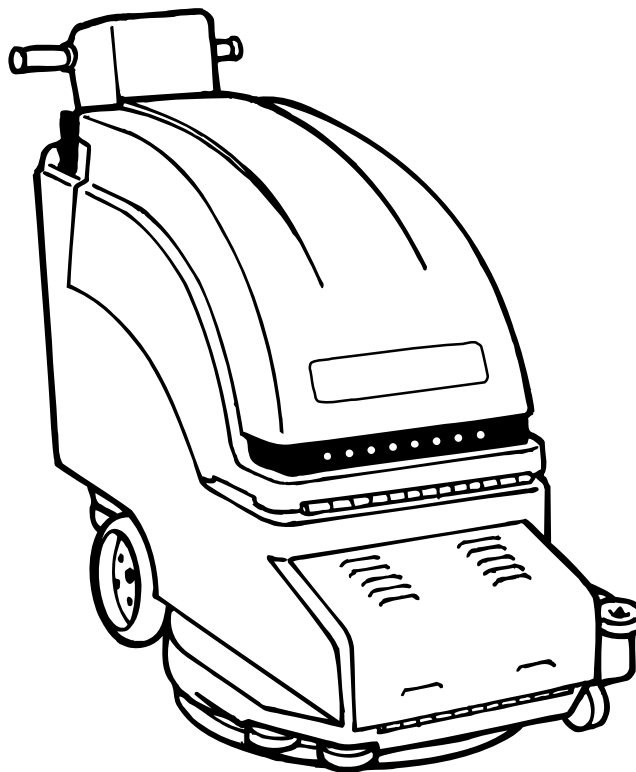
610688 – 2510 Can. Pac

607595 – 2550

607596 – 2550 Pac

610687 – 2550 Can. Pac

**Operator and Parts Manual**



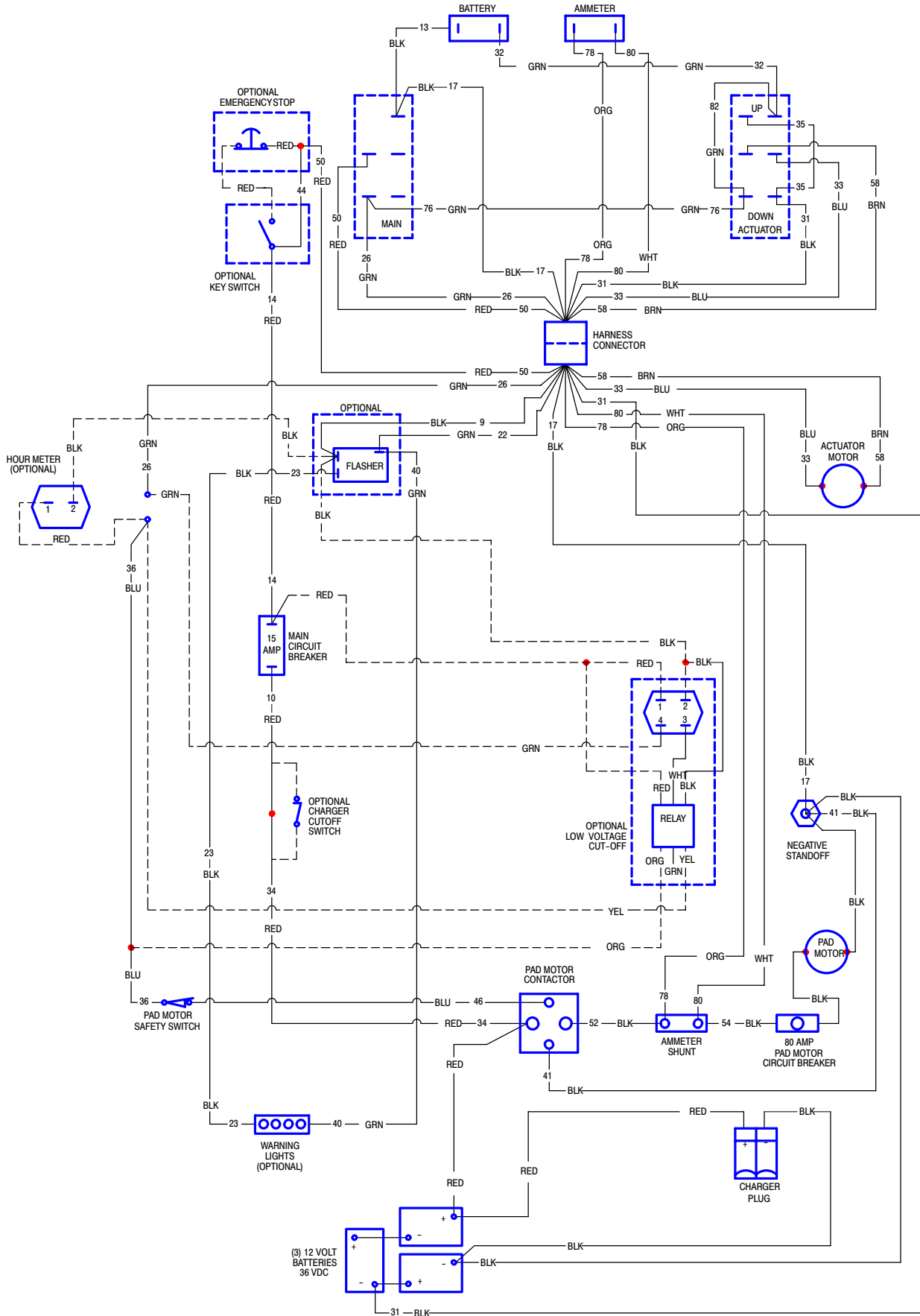
**TENNANT COMPANY**  
Commercial Products  
12875 RANSOM STREET  
HOLLAND MI 49424 U.S.A.

FAX: 1-800-678-4240  
CUSTOMER SERVICE: 1-800-982-7658

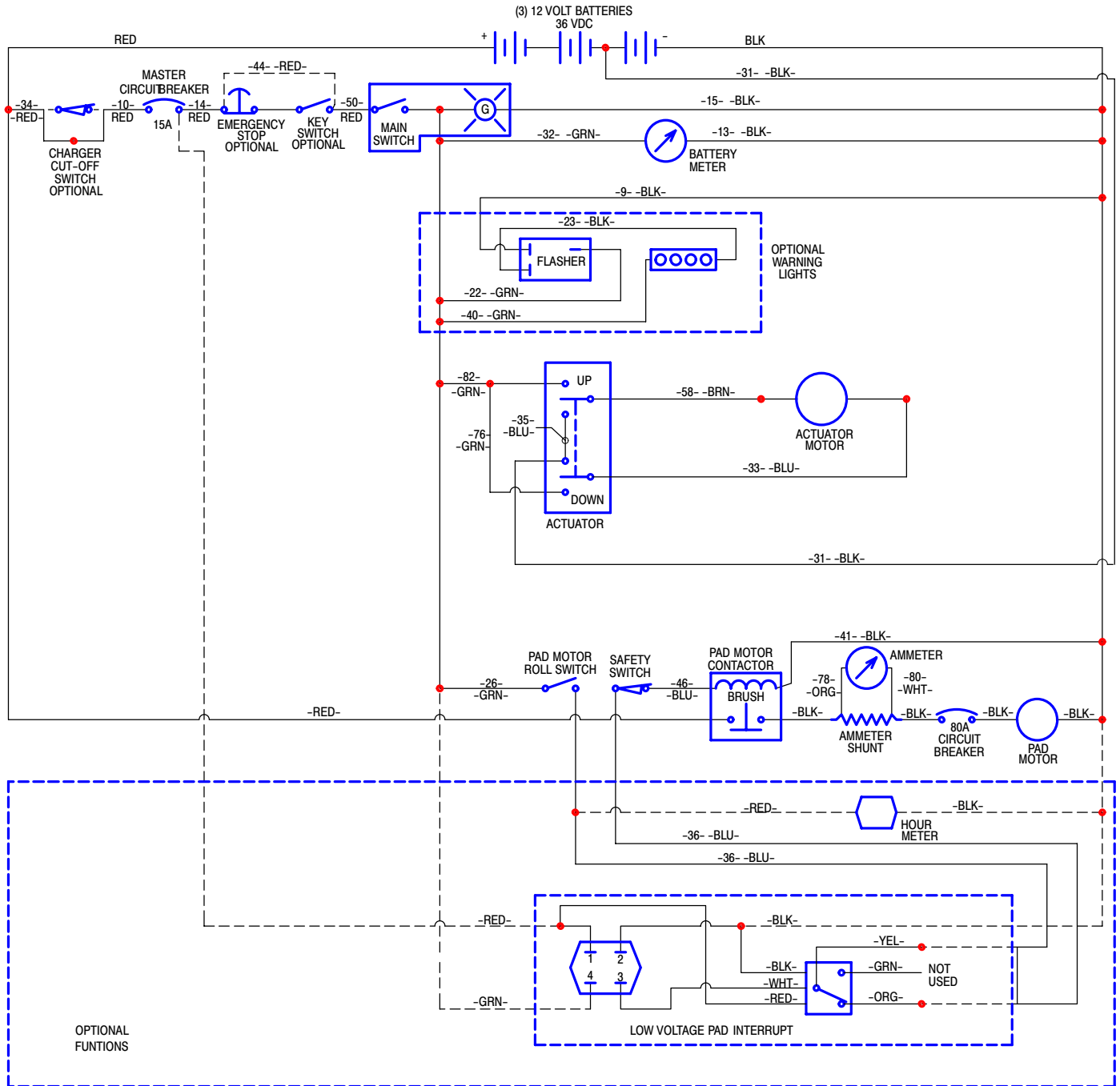
607597  
Rev. 01 (12-00)

# ELECTRICAL DIAGRAM

## 2510 Wiring

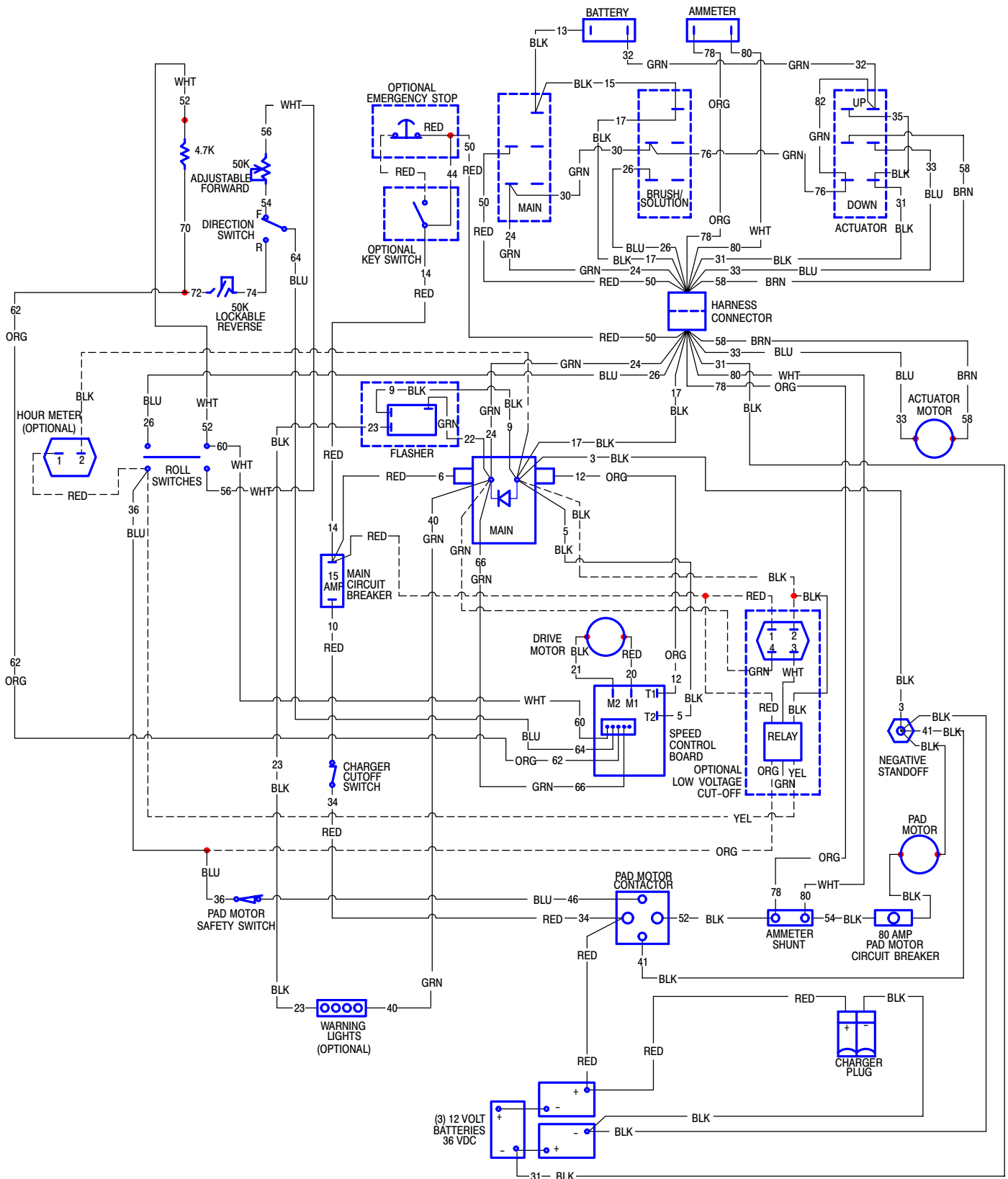


## 2510 Ladder

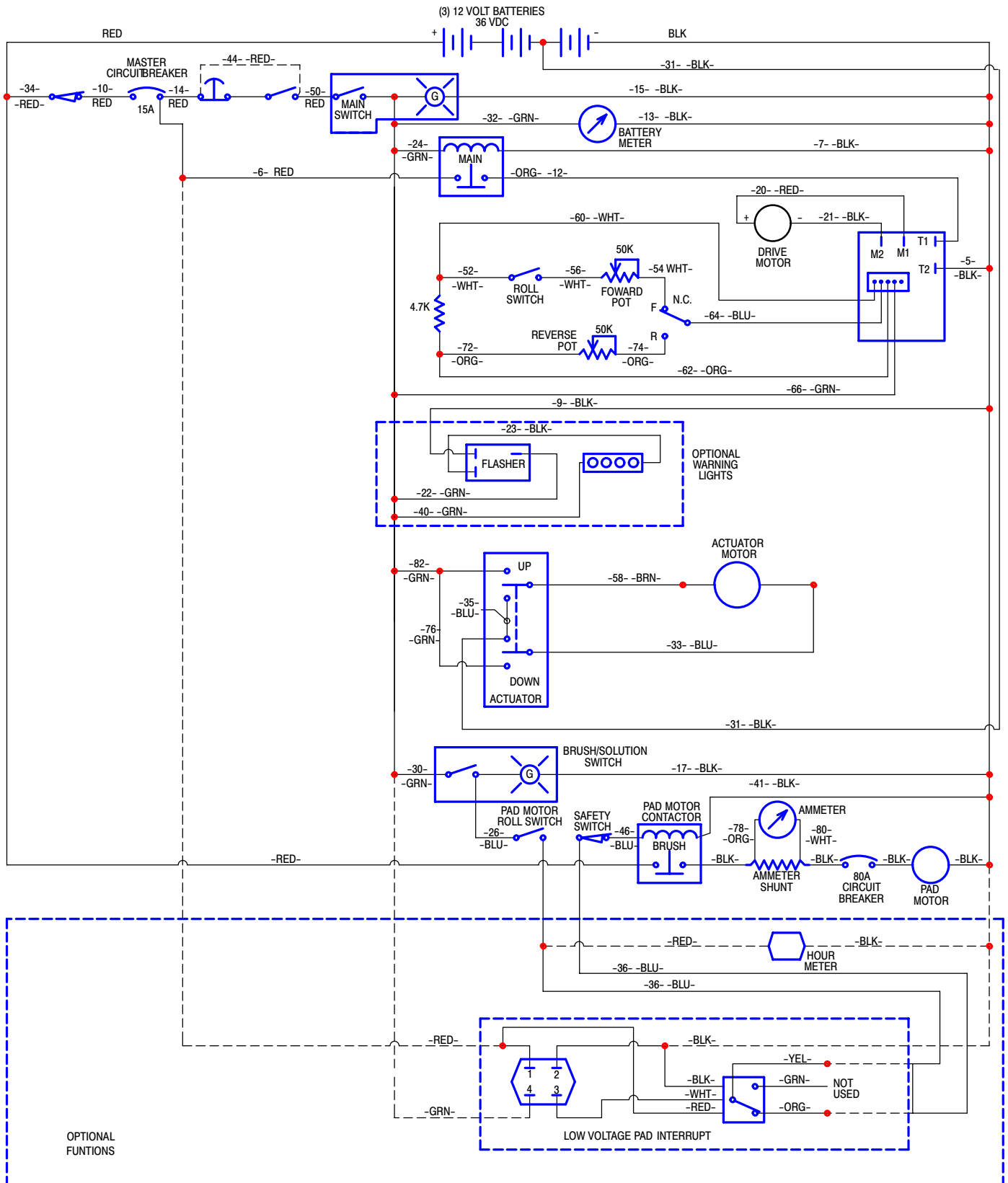


# ELECTRICAL DIAGRAM

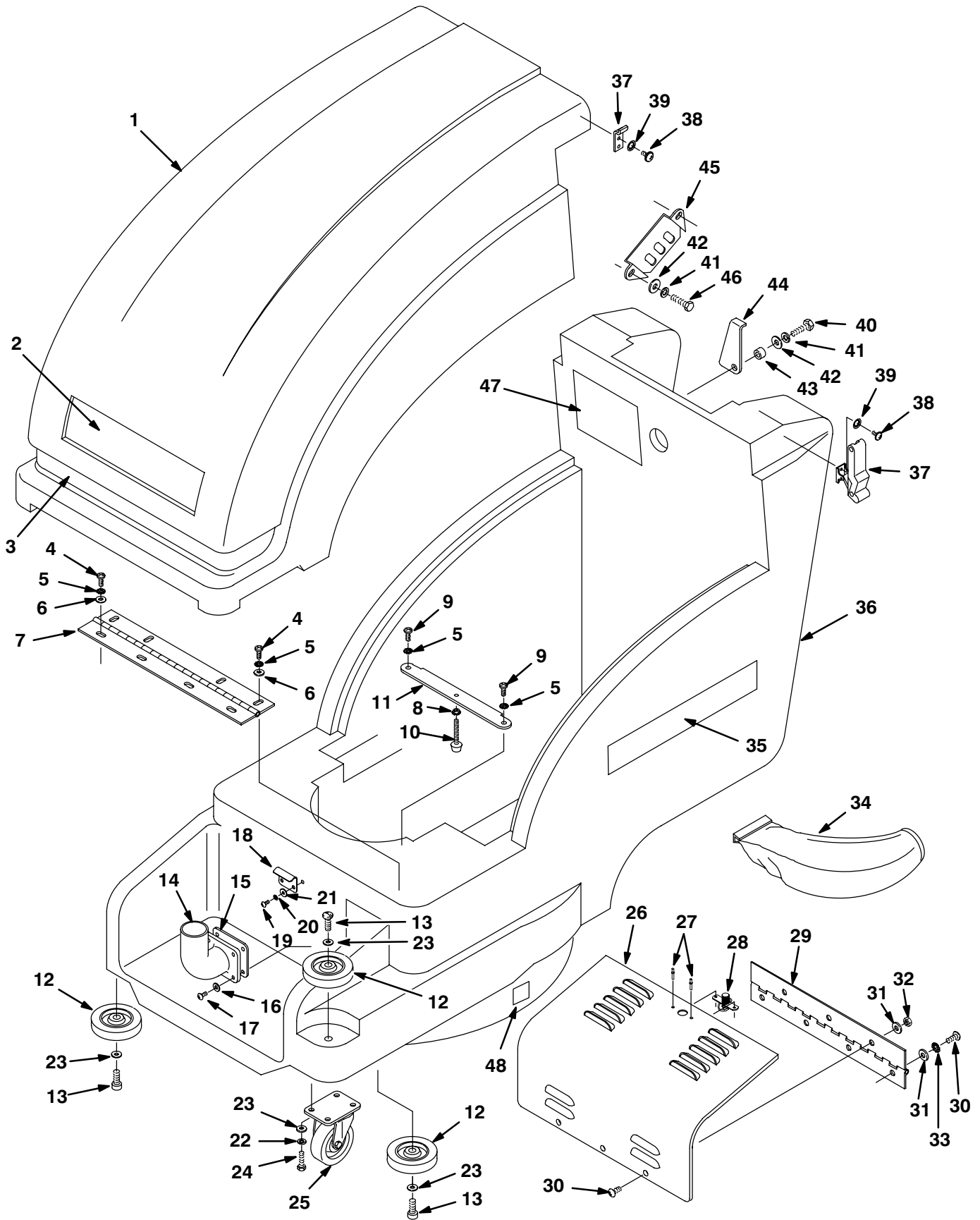
## 2550 Wiring



## 2550 Ladder



MAIN HOUSING GROUP



## MAIN HOUSING GROUP

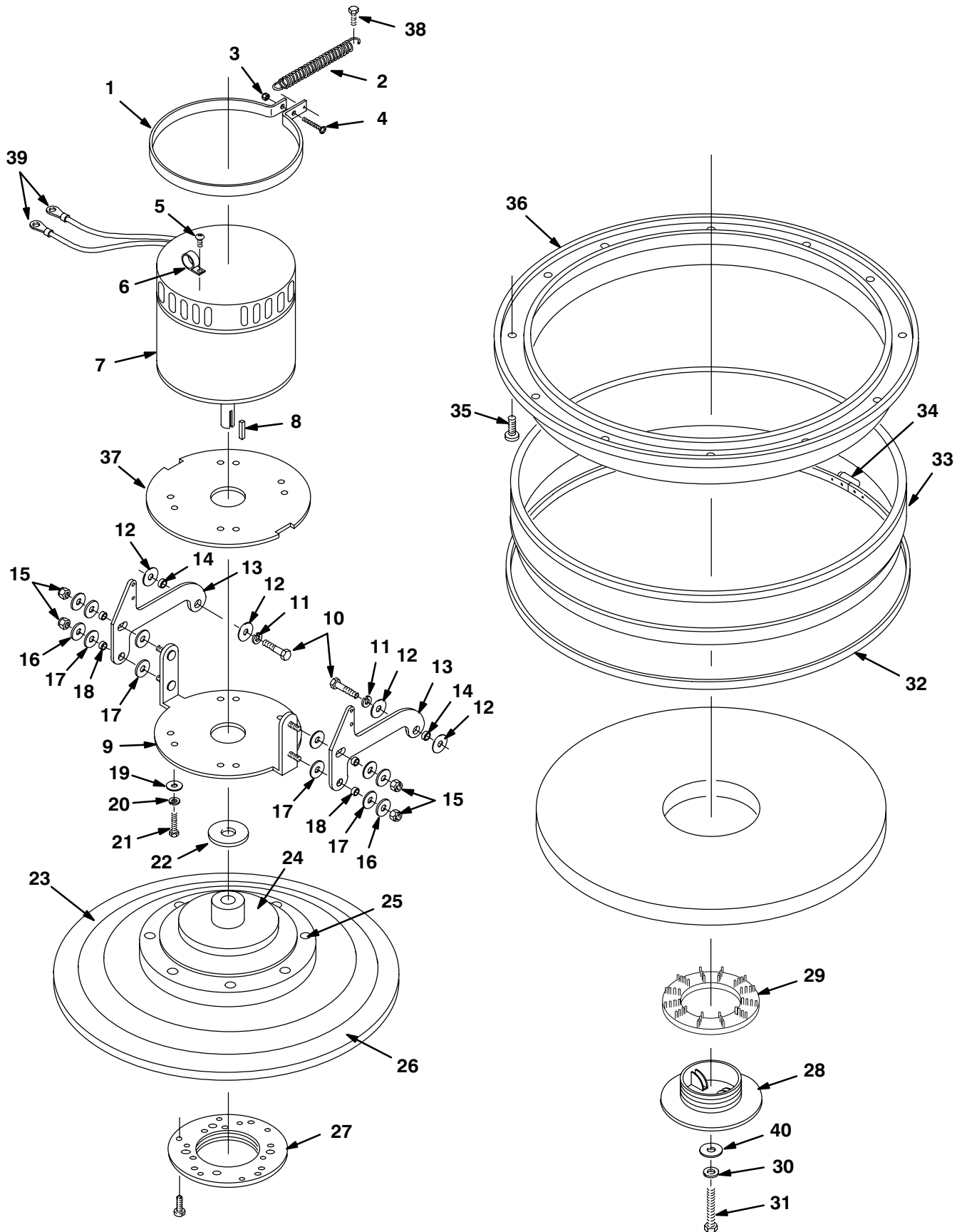
REF	PART #	DESCRIPTION	QTY.
1	607602	COVER, BATTERY COMPARTMENT, TEAL	1
2	120192	DECAL, TENNANT LOGO	1
3	604297	DECAL, RECESS BLACK	1
4	578187000	SCREW, M6X1.0X12	8
5	140016	WASHER, 1/4 LOCK	10
6	140000	WASHER, 1/4 FLAT	8
7	603268	HINGE, HOOD	1
8	140524	NUT, 1/4 X 20 KEP	1
9	578187000	SCREW, M6X1.0X12	2
10	606684	STOP, MOTOR	1
11	604276	BRACKET, MOTOR STOP	1
12	630450	WHEEL, RUBBER DIA 76 X 23 WD	4
13	603154	SCREW, M8X1.25X40	4
14	602721	ELBOW, DEFLECTOR RM-NAT	1
15	100121	GASKET, ELBOW 1/4"	1
16	140011	WASHER, 3/16 FLAT	4
17	069760103	SCREW, RNDPHL #10, 1.0	4
18	604295	PLATE, LATCH	1
19	578187000	SCREW, M6X1.0X12 PANPHL	2
20	140016	WASHER, 1/4 LOCK	2
21	140000	WASHER, 1/4 FLAT	2
22	140015	WASHER, 5/16 SPLITLOCK	4
23	140027	WASHER, 5/16 FLAT	8
24	140275	SCREW, M8X1.25X16 HXHDCP	4
25	103001	CASTER, SWIVEL 3"	1

REF	PART #	DESCRIPTION	QTY.
26	608575	COVER, DUST BAG, TEAL	1
27	140706	RIVET, POP 1/8	2
28	140962	LATCH, SPRING KNURLED	1
29	603269	HINGE, DUST COVER	1
30	578187000	SCREW, M6X1.0X12	7
31	140000	WASHER, 1/4 FLAT	7
32	140284	NUT, M6X1.0 NYLOCK	3
33	140016	WASHER, 1/4 LOCK	4
34	900210	●BAG, CLOTH (OPTION)	1
	604237	●BAG, PAPER FILTER PK=10	1
35	608149	DECAL, 2550	2
	608150	DECAL, 2510	2
36	607600	CHASSIS, TEAL	1
37	140932	LATCH, HOOD RUBBER	2
38	200070340	SCREW, M4X.7X8 PANPHL	8
39	140023	WASHER, #8 INT	8
40	140275	SCREW, M8X1.25X16 HXHDCP	1
41	140015	WASHER, 5/16 SPLITLOCK	5
42	140027	WASHER, 5/16 FLAT	5
43	611418	BUSHING, 5/16ID X 7/16OD X .14	1
44	604637	SUPPORT	1
45	230661	PLATE, LOCK CONTROL HOUSING	2
46	140275	SCREW, M8X1.25X16 HXHDCP	4
47	604304	DECAL, BATT HOOK-UP & CAUTIONS	1
48	578769	DECAL, MOVING PARTS	2

## ● RECOMMENDED STOCK ITEMS

# PARTS LIST

## PAD DRIVER GROUP





## PAD DRIVER GROUP

REF	PART #	DESCRIPTION	QTY.
1	604278	BRACKET, MOTOR	1
2	604333	SPRING, EXT 1/2X4X.063	1
3	140284	NUT, M6X1.0 NYLOCK	1
4	630431	SCREW, M6X1.0X40 HXHDPC	1
5	140890	SCREW, 10-24X1/2 TRSPHL	1
6	140323	CLAMP, NYLON 1/2" ID	1
▽ 7	603398	MOTOR, 36VDC 2000 RPM 3HP	1
	621478	BRUSH, CARBON	4
▲ 8	140628	KEY, MOTOR 3/16X1	1
9	600198	BRACKET, MOTOR	1
10	140352	SCREW, M12X1.75X25 HXHDSS	2
11	140024	WASHER, 1/2" LOCK	2
12	140045	WASHER, FLAT .510X1.25X.06	4
13	603273	LIFT ARM MOTOR	2
14	140139	BUSHING	2
15	600200	NUT, 3/8-16 JAM NYLOCK	4
16	140028	WASHER, 3/8 FLAT	4
17	630447	WASHER, NYLON	8
18	600191	BUSHING, 3/8X1/2X.260	4
19	140028	WASHER, 3/8 FLAT	4
20	140017	WASHER, 3/8 SPLIT LOCK	4

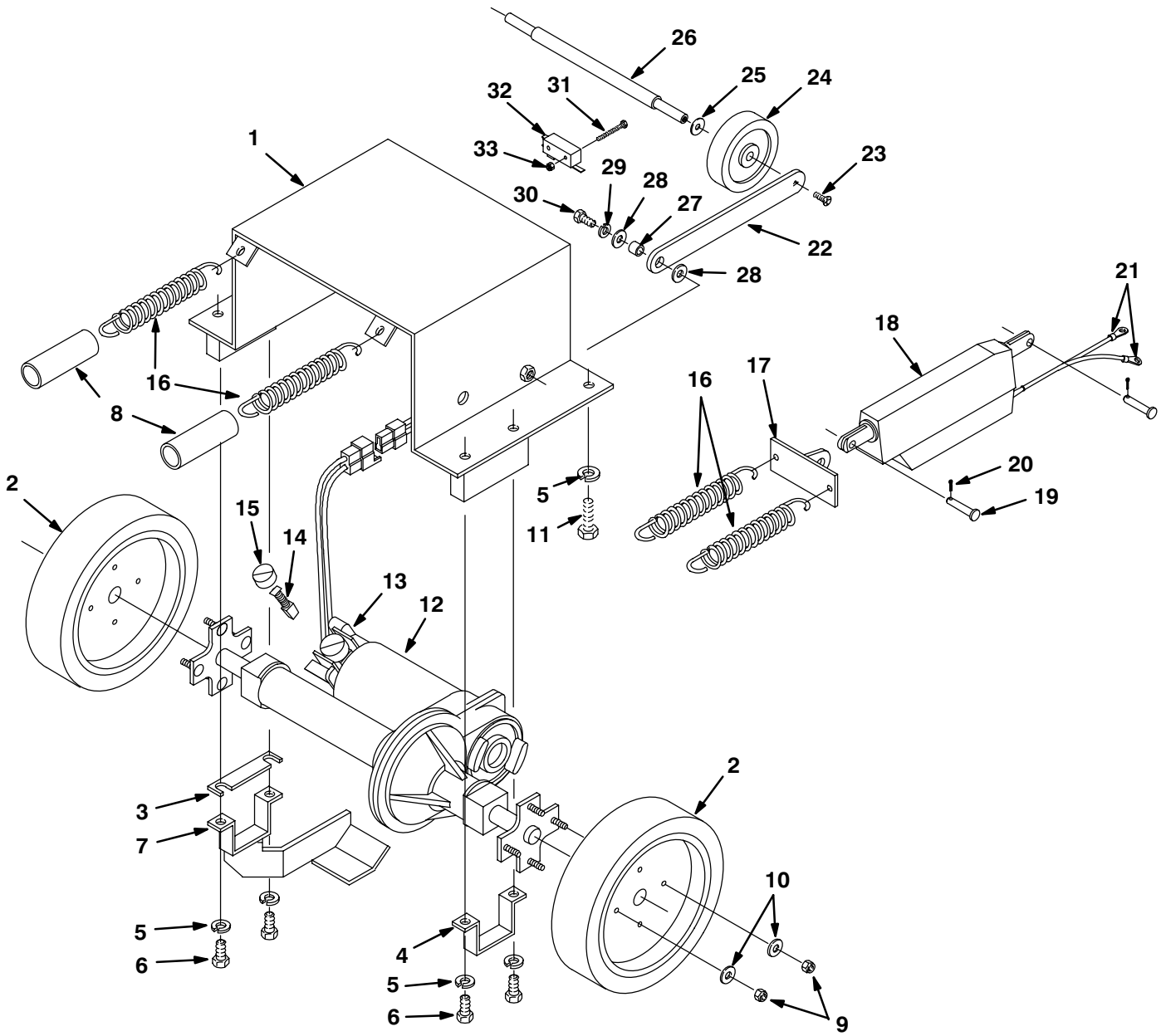
REF	PART #	DESCRIPTION	QTY.
21	140201	SCREW, 3/8-16X3/4 HXHDPC	4
22	069760023	WASHER, FLAT .77X1.26X.03	1
▽ 23	605348	ASM., DRIVER PAD	1
▲ 24	27900	HUB, PAD DRIVER	1
▲ 25	190177	SCREW & CAPS (PACK OF 8)	1
▲ 26	27071	DISC, FLEXIBLE	1
▲▽ 27	25707	ASM., CENTERLOCK	1
▲ 28	100101	RING, PAD RETAINER	1
29	572084000	WASHER, PAD DRIVER LOCK	1
30	41186	WASHER, 5/16 BELLEVILLE	1
31	140203	SCREW, 5/16-24X1-1/4 HXHDPC	1
32	605103	STRAP, 3/8X7/4 IN	1
33	603744	●SKIRT, DUST CONTROL	1
34	230913	SCRU-SEAL & RACK	1
35	140340	SCREW, #10X5/8 PANPHL	6
36	230888	RING, DUST SHIELD	1
37	600195	SEAL, MOTOR BASE	1
38	600385	SCREW, M6X1.0X20 PANPHL	1
39	130162	TERMINAL, RING 1/4 8GA RED	2
40	25732	WASHER, FLAT 1.25X.359X.093	1

▽ ASSEMBLY

▲ INCLUDED IN ASSEMBLY

● RECOMMENDED STOCK ITEMS

DRIVE GROUP (2550 Model)



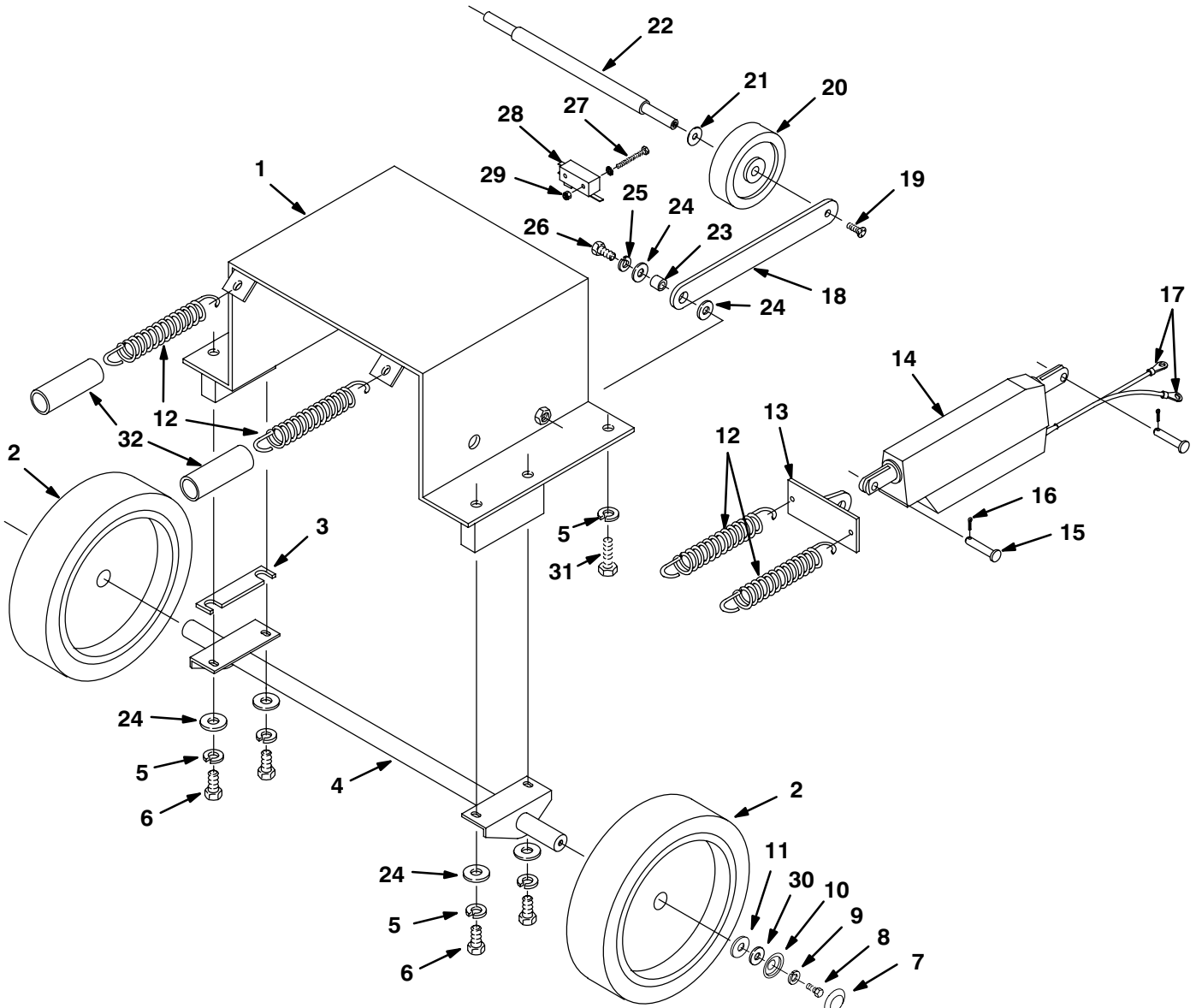
## DRIVE GROUP (2550 Model)

REF	PART #	DESCRIPTION	QTY.
1	603277	FRAME WELDMENT	1
2	640013	WHEEL, 8"DIA, 2"WIDE NEOPRENE	2
3	604293	SPACER, 3/4X4X1/16	1
4	602881	BRACKET, TRANSAXLE MTG	1
5	140333	WASHER, M10 SPLITLOCK	6
6	200031554	SCREW, HXHD M10X65	4
7	610130	MOUNT GUARD, TRANSAXLE	1
8	611023	SLEEVE, SPRING	2
9	630268	NUT, 1/4-28 HXLOCK	8
10	140000	WASHER, 1/4 FLAT	8
11	140277	SCREW, M10X1.50X20 HXHDCP	2
12	603450	TRANSAXLE, 36VDC	1
13	600606	END BELL, TRANSAXLE MOTOR	1
14	630504	●CARBON BRUSH (36V)	2
15	630503	●CAP, (36V)	2
16	140431	SPRING, EXT 1X.095X5	4
17	609450	BRACKET, SPRING	1

REF	PART #	DESCRIPTION	QTY.
18	600952	ACTUATOR	1
19	604076	PIN, CLEVIS 10X28MM	2
20	578421	PIN, COTTER	2
21	130133	TERMINAL	2
22	603267	PLATE, PIVOT ARM	2
23	069762098	SCREW, M6X1.0X16 FLTPHL	2
24	103066	WHEEL, 4"DIA X 1.5HUB X .50 GRAY	2
25	140045	WASHER, .510X1.25X.06 FLAT	2
26	603274	AXLE, REAR WHEELS	1
27	140144	BUSHING, .375X.500	2
28	140028	WASHER, 3/8 FLAT	4
29	140017	WASHER, 3/8 SPLITLOCK	2
30	140202	SCREW, 3/8-16X1 HXHDCP	2
31	140829	SCREW, 6-32X1 PANPHL	2
32	069764009	●SWITCH, SNAP 25A LEVER	1
33	140539	NUT, 6-32 KEP	2

● RECOMMENDED STOCK ITEMS

WHEEL GROUP (2510 Model)



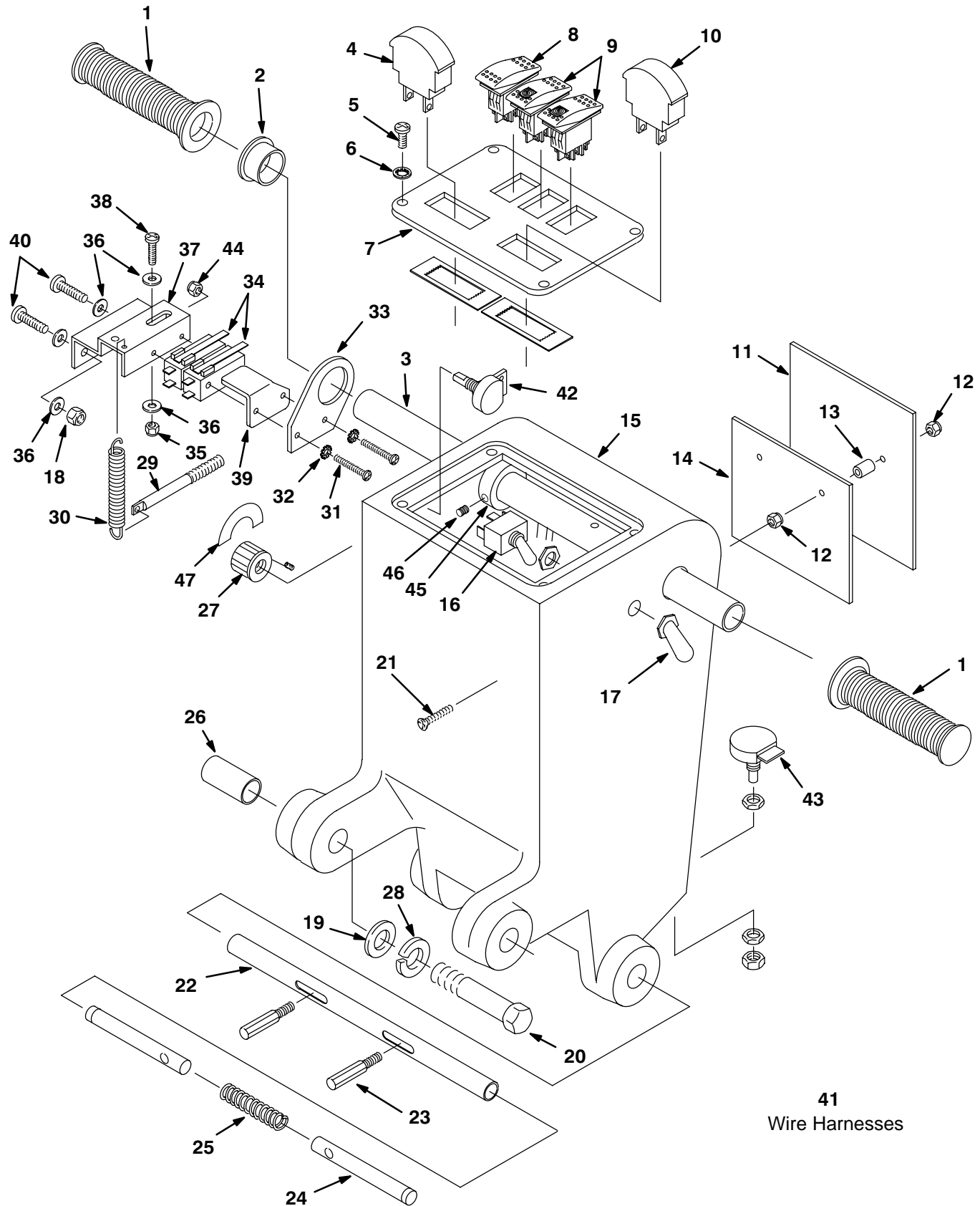
## WHEEL GROUP (2510 Model)

REF	PART #	DESCRIPTION	QTY.
1	603277	FRAME WELDMENT	1
2	605970	WHEEL, 8X1-5/8	2
	103071	BEARING, WHEEL REPLACEMENT	4
3	604293	SPACER, 3/4X4X1/16	1
4	603275	AXLE WELDMENT	1
5	140333	WASHER, M10 SPLITLOCK	6
6	200031554	SCREW, HXHD M10X65	4
7	150210	PLUG, CAP BLACK	2
8	140275	SCREW, M8X1.25X16 HXHDCP	2
9	140015	WASHER, 5/16 SPLITLOCK	2
10	140048	WASHER, 5/16 (FOR #150210)	2
11	140047	WASHER, 1.24X.754X.062	2
12	140431	SPRING, EXT 1.0X5	4
13	609450	BRACKET, SPRING	1
14	600952	ACTUATOR	1
15	604076	PIN, CLEVIS 10X28MM	2
16	578421	PIN, COTTER	2

REF	PART #	DESCRIPTION	QTY.
17	130133	TERMINAL	2
18	603267	PLATE, PIVOT ARM	2
19	069762098	SCREW, M6X1.0X16 FLTPHL	2
20	103066	WHEEL, 4"DIA X 1.5HUB X .50 GRAY	2
21	140045	WASHER, .510X1.25X.06 FLAT	2
22	603274	AXLE, REAR WHEELS	1
23	140144	BUSHING, .375X.500	2
24	140028	WASHER, 3/8 FLAT	8
25	140017	WASHER, 3/8 SPLITLOCK	2
26	140202	SCREW, 3/8-16X1 HXHDCP	2
27	140829	SCREW, 6-32X1 PANPHL	2
28	069764009	●SWITCH, SNAP 25A LEVER	1
29	140539	NUT, 6-32 KEP	2
30	140055	WASHER, FLAT .343X1.25X.057	2
31	140277	SCREW, M10X1.50X20	2
32	611023	SLEEVE, SPRING	2

## ● RECOMMENDED STOCK ITEMS

CONTROL CONSOLE GROUP (2550 Model)



## CONTROL CONSOLE GROUP (2550 Model)

REF	PART #	DESCRIPTION	QTY.
1	200823	GRIP, HANDLE TUBE	2
2	605351	BUSHING	1
3	604402	HANDLE, TUBE	1
4	603848	GAUGE, PAD PRESSURE	1
5	578141000	SCREW, M5X10MM	4
6	140018	WASHER, LOCK	4
7	603757	PANEL, CONTROL	1
8	603399	●SWITCH, DPDT MOM ON/OFF	1
9	601107	●SWITCH, LIGHTED ROCKER	2
10	603847	METER, BATTERY VOLTAGE 36V	1
11	606529	●SPEED CONTROL, 36VDC, 40A	1
12	200160014	NUT, M4	4
13	630261	SPACER	2
14	630128	HEAT SINK	1
15	607556	HOUSING, CONTROL, TEAL	1
16	601108	●SWITCH, TOGGLE	1
17	130753	BOOT, SWITCH	1
18	140284	NUT, M6 NYLOCK	2
19	140045	WASHER, FLAT 1/2	2
20	140351	SCREW, M12X70MM	2
21	630304	SCREW, M4X35MM	2
22	230715	TUBE, HANDLE ADJUSTMENT	1
23	230649	PIN, HANDLE ADJUSTMENT	2
24	230710	PIN, HANDLE LOCK	2
25	140415	SPRING, LOCK PIN	1

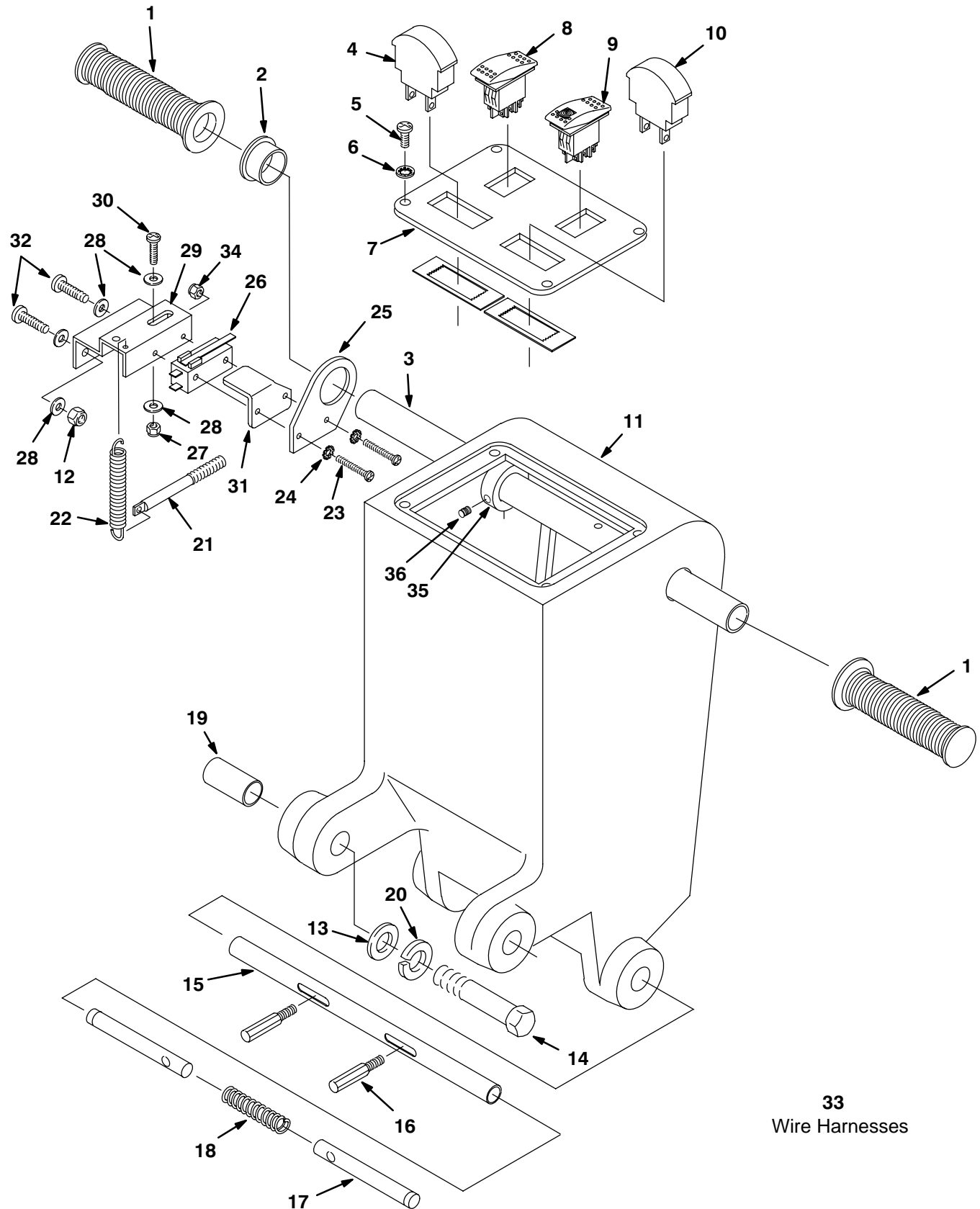
▽ ASSEMBLY

▲ INCLUDED IN ASSEMBLY

● RECOMMENDED STOCK ITEMS

REF	PART #	DESCRIPTION	QTY.
26	140155	BUSHING	2
27	606550	KNOB, SPEED CONTROL	1
28	140024	WASHER, LOCK 1/2	2
29	602886	PIN, SPRING RETURN	1
30	605812	SPRING, EXTENSION	1
31	140830	SCREW, 6-32X1-5/8	2
32	140019	WASHER, LOCK #6	2
33	27098	BRACKET, SWITCH	1
34	130729	●SWITCH, ROLL	2
35	140552	NUT, 10-24 NYLOCK	1
36	140000	WASHER, FLAT 1/4	5
37	25671	MOUNT, SWITCH	1
38	140890	SCREW, 10-24X1/2	1
39	603830	PLATE, GUARD SWITCH	1
40	608322	SCREW, M6X16MM	2
▽ 41	602873	●HARNESS CONSOLE W/POT. (NOT SHOWN)	1
	606538	HARNESS, WIRE MAIN (NOT SHOWN)	1
	605840	WRAP, LOOM .75DIA, 1FT (NOT SHOWN)	1
▲ 42	130776	●POTENTIOMETER, 50K	1
▲ 43	130775	●POTENTIOMETER, 50K LOCK- ABLE	1
44	140540	NUT, 6-32 HEX STD	2
45	605094	COLLAR, HANDLE	2
46	140859	SET SCREW	2
47	606549	DECAL, SPEED CONTROL	1

CONTROL CONSOLE GROUP (2510 Model)



33  
Wire Harnesses



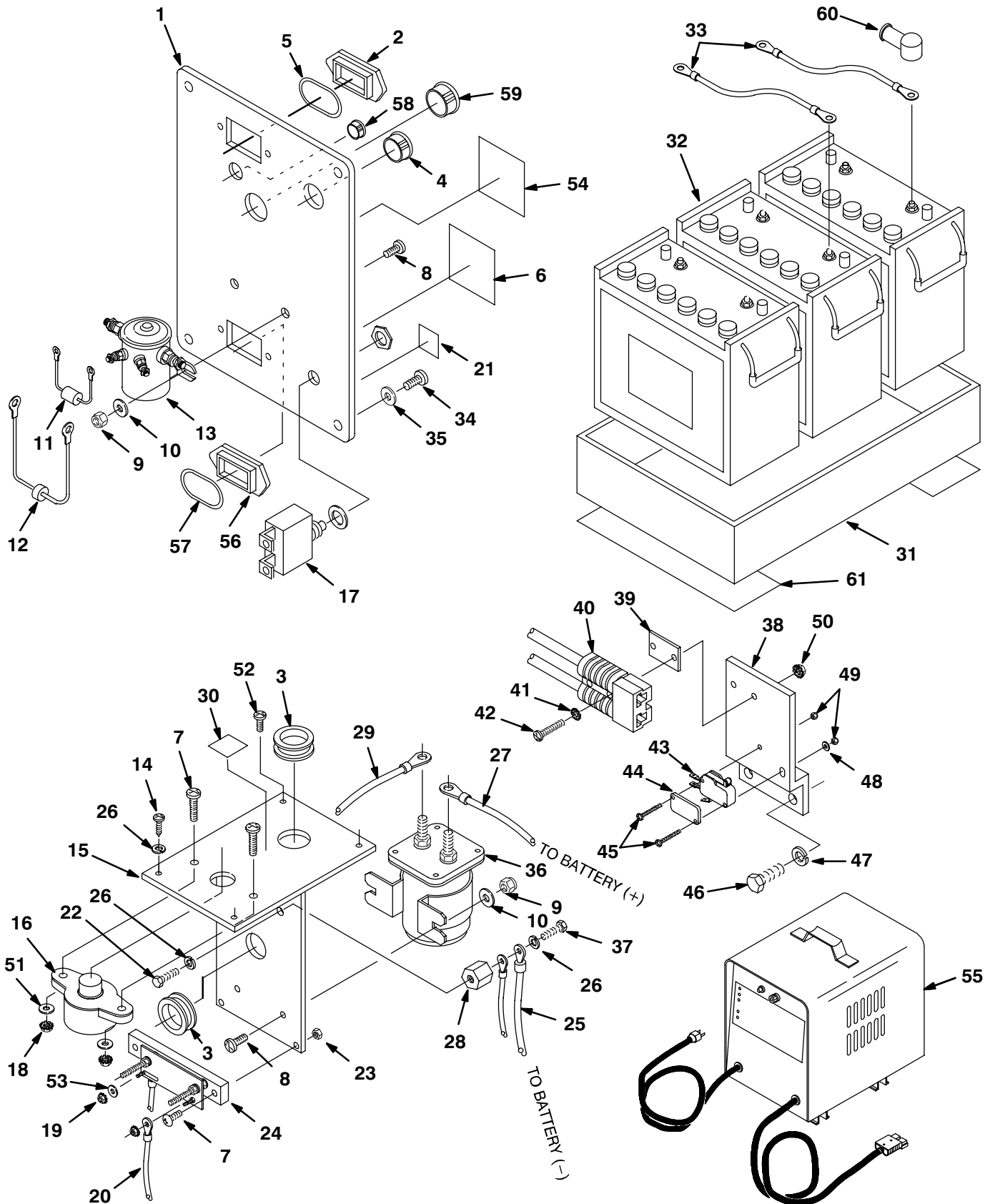
## CONTROL CONSOLE GROUP (2510 Model)

REF	PART #	DESCRIPTION	QTY.
1	200823	GRIP, HANDLE TUBE	2
2	605351	BUSHING	1
3	604402	HANDLE, TUBE	1
4	603848	GAUGE, PAD PRESSURE	1
5	578141000	SCREW, M5X10MM	4
6	140018	WASHER, LOCK	4
7	604269	PANEL, CONTROL	1
8	603399	●SWITCH, DPDT MOM ON/OFF	1
9	601107	●SWITCH, LIGHTED ROCKER	1
10	603847	METER, BATTERY VOLTAGE 36V	1
11	607604	HOUSING, CONTROL, TEAL	1
12	140284	NUT, M6 NYLOCK	2
13	140045	WASHER, FLAT 1/2	2
14	140351	SCREW, M12X70MM	2
15	230715	TUBE, HANDLE ADJUSTMENT	1
16	230649	PIN, HANDLE ADJUSTMENT	2
17	230710	PIN, HANDLE LOCK	2
18	140415	SPRING, LOCK PIN	1
19	140155	BUSHING	2

● RECOMMENDED STOCK ITEMS

REF	PART #	DESCRIPTION	QTY.
20	140024	WASHER, LOCK 1/2	2
21	602886	PIN, SPRING RETURN	1
22	605812	SPRING, EXTENSION	1
23	140829	SCREW, 6-32X1	2
24	140019	WASHER, LOCK #6	2
25	27098	BRACKET, SWITCH	1
26	130729	●SWITCH, ROLL	1
27	140552	NUT, 10-24 NYLOCK	1
28	140000	WASHER, FLAT 1/4	5
29	25671	MOUNT, SWITCH	1
30	140890	SCREW, 10-24X1/2	1
31	603830	PLATE, GUARD SWITCH	1
32	608322	SCREW, M6X16MM	2
33	606539	HARNESS, WIRE MAIN (NOT SHOWN)	1
	605840	WRAP, LOOM .75DIA, 1FT (NOT SHOWN)	2
34	140540	NUT, 6-32 HEX STD	2
35	605094	COLLAR, HANDLE	2
36	140859	SET SCREW	2

ELECTRICAL/BATTERY GROUP



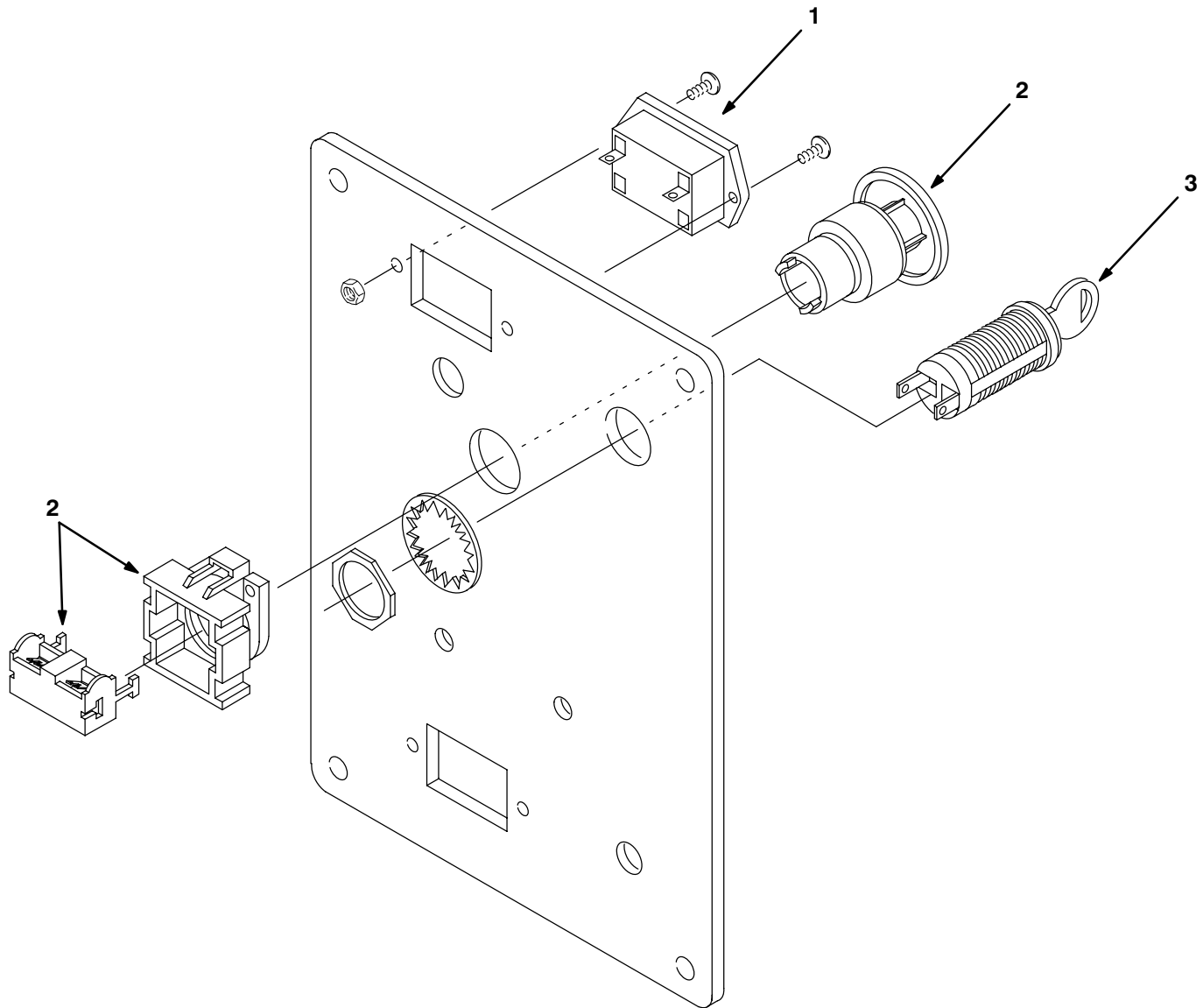
## ELECTRICAL/BATTERY GROUP

REF	PART #	DESCRIPTION	QTY.
1	604939	PANEL, CONTROL HOUSING	1
2	609969	PLUG	1
3	069762009	GROMMET, DIA 25.4X03	2
4	130175	PLUG, DOME .750	1
5	605823	O-RING	1
6	630420	DECAL, FLAMMABLE MATERIAL	1
7	578302000	SCREW, M5X26 PANPHL	4
8	608322	SCREW, M6X16MM	4
9	140284	NUT, M6 NYLOCK	4
10	140000	WASHER, FLAT 1/4	4
11	606404	●DIODE, 400V (2550 MODEL)	1
12	604486	●DIODE, 400V (2550 MODEL)	1
13	130733	●SOLENOID, 36V (2550 MODEL)	1
14	578187000	SCREW, M6X1.0X12 PANPHL	3
15	604271	BRACKET, ELECTRICAL CHASSIS	1
16	130781	●BREAKER, CIRCUIT 80 AMP	1
17	603487	●BREAKER, CIRCUIT BRUSH 15A	1
18	140283	NUT, M5X.8 NYLOCK	2
19	140524	NUT, 1/4-20 KEP	2
20	604292	ASM, WIRE #4 BLK X 6"	1
21	604795	DECAL, MAIN BREAKER	1
22	140553	SCREW, 1/4-20X1/2 HXHDCP	1
23	140283	NUT, M5X.8 NYLOCK	2
24	605292	SHUNT	1
25	604290	ASM, WIRE #4 BLK X 27"	1
26	140016	WASHER, LOCK 1/4	5
27	604289	ASM, WIRE #4 RED X 46"	1
28	578427	STANDOFF, TERMINAL	1
29	604291	ASM, WIRE #4 BLK X 6"	1
30	604794	DECAL, PAD MOTOR CIRCIUT BREAKER	1
31	604298	TRAY, BATTERY	1

## ● RECOMMENDED STOCK ITEMS

REF	PART #	DESCRIPTION	QTY.
32	600394	BATTERY, 12V 215A (OPTIONAL)	3
33	611116000	CABLE, BATTERY #6 BLACKX15"	2
34	578141000	SCREW, M5X10	4
35	140018	WASHER, LOCK #10	4
36	621381000	●CONTACTOR	1
37	140553	SCREW, 1/4-20X1/2 HXHDCP	1
38	604270	BRACKET, CHARGER PLUG	1
39	603331	SPACER, CHARGER PLUG	1
40	604288	ASM., CABLE CHARGE PLUG	1
41	140019	WASHER, 36 EXT	2
42	140829	SCREW, 6-32X1 PANPHL	2
43	600437	●SWITCH, ROLLER 15A (2550 MODEL)	1
44	601359	PLATE, SWITCH BACKING (2550 MODEL)	1
45	578403000	SCREW, M3X20 PANPHL (2550 MODEL)	2
46	578187000	SCREW, M6X1.0X12 PANPHL	2
47	140016	WASHER, 1/4 LOCK	2
48	601127000	WASHER, FLAT (2550 MODEL)	1
49	579211	NUT, M3 HEXLOCK (2550 MODEL)	2
50	140539	NUT, 6-32 KEP	2
51	140011	WASHER, 3/16 FLAT	2
52	140340	SCREW, #10X5/8 PANPHL	1
53	140026	WASHER, #6 FLAT	1
54	578729	DECAL, READ MANUAL	1
55	469760868	CHARGER, 36DC 25 AMP (OPTIONAL)	1
56	609969	PLUG	1
57	605823	O-RING	1
58	604940	PLUG, DOME	1
59	130161	PLUG, DOME .875	1
60	611221	BOOT, BATTERY, BLACK	3
60	611222	BOOT, BATTERY, RED	3
61	611022	GASKET, BATTERY TRAY	2

**HOUR METER, EMERGENCY STOP AND KEYSWITCH KITS**



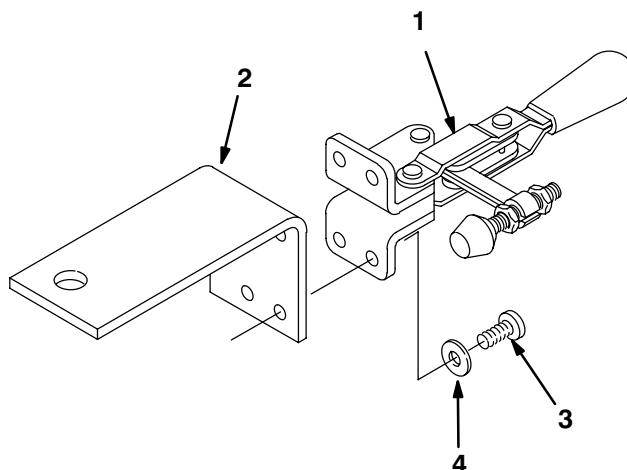
REF	PART #	DESCRIPTION	QTY.
▽ 1	604501	KIT, HOUR METER	1
▲	630143	HOUR METER	1
▲	603081	ASM., WIRE #18X12" RED	1
▲	604960	ASM., WIRE #18X9" BLACK W/ P-BACK. TER.	1
▲	603080	ASM., WIRE #18X8" BLACK W/ TERM. RING	1
▲	604643	ASM., WIRE #18X9" BLACK	1

REF	PART #	DESCRIPTION	QTY.
▽ 2	602995	KIT, EMERGENCY STOP	1
▲	630100	SWITCH, EMERGENCY STOP BUTTON	1
▲	630097	SWITCH, CONTACT BLOCK	1
▲	602996	ASM, WIRE #16X5" RED 1/4FX1/4F	1
▲	602997	ASM, WIRE #16X5" RED 1/4MX1/4F	1
▽ 3	602993	KIT, KEYSWITCH	1
▲	607475	KEYSWITCH	1
▲	607821	KEY, REPLACEMENT	1

▽ ASSEMBLY

▲ INCLUDED IN ASSEMBLY

PARKING BRAKE KIT



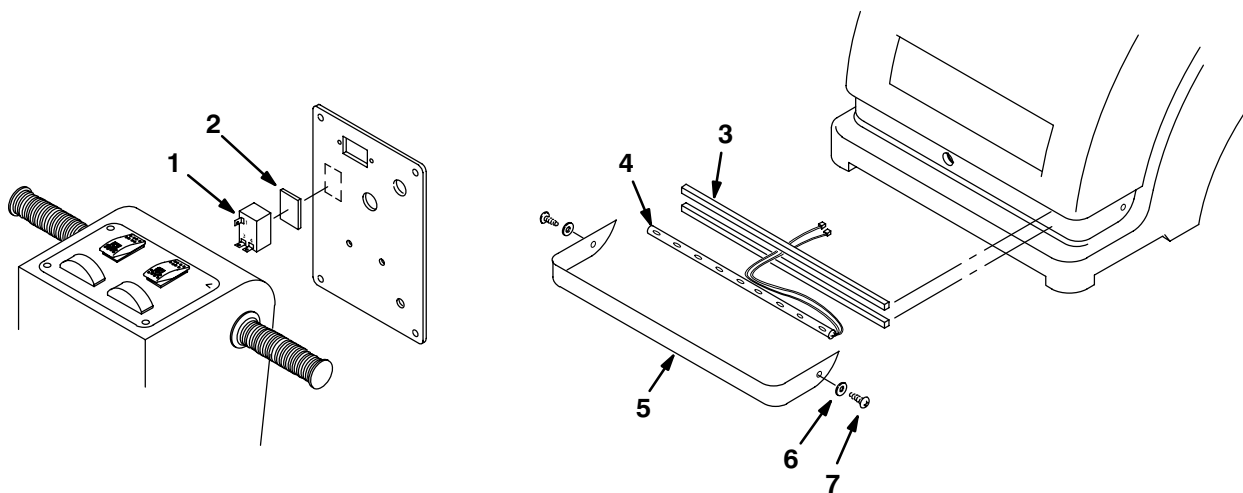
REF	PART #	DESCRIPTION	QTY.
▽	604502	KIT, PARKING BRAKE	1
▲ 1	600634	CLAMP, PARKING BRAKE	1

REF	PART #	DESCRIPTION	QTY.
▲ 2	603122	BRACKET, PARKING BRAKE	1
▲ 3	140887	SCREW, #10-24X3/8	4
▲ 4	140018	WASHER, #10	4

▽ ASSEMBLY

▲ INCLUDED IN ASSEMBLY

FLASHING LIGHT KIT



REF	PART #	DESCRIPTION	QTY.
▽	604500	KIT, FLASHING LIGHTS	1
▲ 1	603839	FLASHER, 36VDC	1
▲ 2	100058	TAPE, ACRYLIC FOAM	.08 FT.
▲ 3	606242	GASKET	1

REF	PART #	DESCRIPTION	QTY.
▲ 4	603440	LIGHT, SAFETY	1
▲ 5	600298	SHIELD, LIGHT	1
▲ 6	578186000	WASHER, FLAT	2
▲ 7	200070340	SCREW, M4X.7X8	2

▽ ASSEMBLY

▲ INCLUDED IN ASSEMBLY