

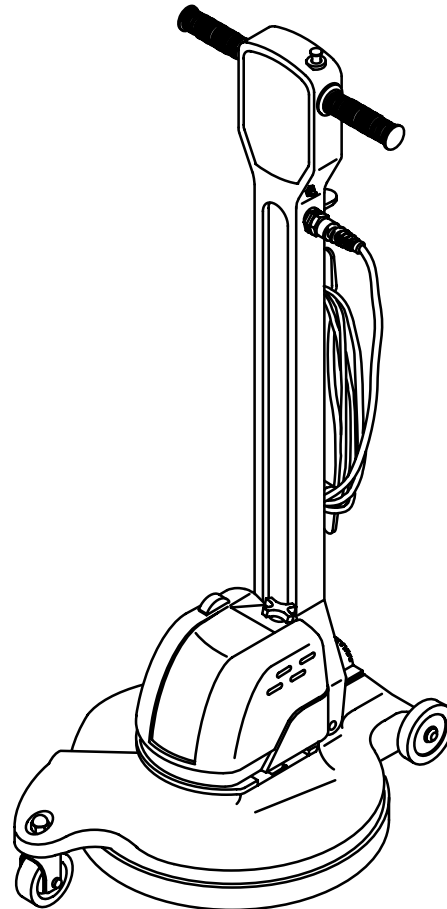
2360

**Dust Control Burnisher
Máquina de Pisos**

U.S. PATENT NO.: D.345,035 & 5,608,939

**Model No.:
607614**

**Operator and Parts Manual
Manual del Operador y Piezas**



TENNANT COMPANY
Commercial Products
12875 RANSOM STREET
HOLLAND MI 49424 U.S.A.

CUSTOMER SERVICE:
1-800-982-7658
1-616-786-2330

FAX: 1-800-678-4240
1-616-786-2345

**607613
Rev. 01 (09-01)**

IMPORTANT SAFETY INSTRUCTIONS

When using an electrical appliance, basic precautions should always be followed, including the following:

READ ALL INSTRUCTIONS BEFORE USING (THIS APPLIANCE)

⚠ WARNING -To reduce the risk of fire, electric shock, or injury:

1. Do not leave appliance when plugged in. Unplug from outlet when not in use and before servicing.
2. Use only commercially available floor cleaners and waxes intended for machine application.
3. Do not allow to be used as a toy. Close attention is necessary when used by or near children.
4. Use only as described in this manual. Use only manufacturer's recommended attachments.
5. Do not use with damaged cord or plug. If appliance is not working as it should, has been dropped, damaged, left outdoors, or dropped into water, return it to a service center.
6. Do not pull or carry by cord, use cord as a handle, close a door on cord, or pull cord around sharp edges or corners. Do not run appliance over cord. Keep cord away from heated surfaces.
7. Do not unplug by pulling on cord. To unplug, grasp the plug, not the cord.
8. Do not handle plug or appliance with wet hands.
9. Do not put any object into openings. Do not use with any opening blocked; keep free of dust, lint, hair, and anything that may reduce air flow.
10. Keep hair, loose clothing, fingers, and all parts of body away from openings and moving parts.
11. Turn off all controls before unplugging.
12. Use extra care when cleaning on stairs.
13. Do not use to pick up flammable or combustible liquids such as gasoline or use in areas where they may be present.

LIRE TOUTES LES INSTRUCTIONS AVANT DE FAIRE FONCTIONNER

(CET APPAREIL)

⚠ ADVERTISSEMENT - Pour réduire les risques d'incendie, de choc électrique ou de blessure:

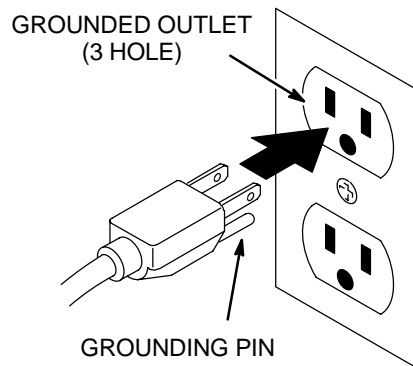
1. Ne pas laisser l'appareil sans surveillance lorsqu'il est branché. Débrancher lorsque l'appareil n'est pas utilisé et avant l'entretien.
2. Utiliser des produits nettoyants et des cires offerts sur le marché pour l'application à la machine.
3. Ne pas permettre aux enfants de jouer avec l'appareil. Une attention particulière est nécessaire lorsque l'appareil est utilisé par des enfants ou à proximité de ces derniers.
4. Utiliser que conformément à cette notice avec les accessoires recommandés par le fabricant.
5. Ne pas utiliser si le cordon ou la fiche est endommagé. Retourner l'appareil à un atelier de réparation s'il ne fonctionne pas bien, s'il est tombé ou s'il a été endommagé, oublié à l'extérieur ou immergé.
6. Ne pas tirer, soulever ou traîner l'appareil par le cordon. Ne pas utiliser le cordon comme une poignée, le coincer dans l'embrasure d'une porte ou l'appuyer contre des arêtes vives ou des coins. Ne pas faire rouler l'appareil sur le cordon. Garder le cordon à l'écart des surfaces chaudes.
7. Ne pas débrancher en tirant sur le cordon. Tirer plutôt la fiche.
8. Ne pas toucher la fiche ou l'appareil lorsque vos mains sont humides.
9. N'insérer aucun objet dans les ouvertures. Ne pas utiliser l'appareil lorsqu'une ouverture est bloquée. S'assurer que de la poussière, de la peluche, des cheveux ou d'autres matières ne réduisent pas le débit d'air.
10. Maintenir les cheveux, les vêtements amples, les doigts et toutes les parties du corps à l'écart des ouvertures et des pièces mobiles.
11. Mettre toutes les commandes à la position ARRÊT avant de débrancher l'appareil.
12. User de prudence lors du nettoyage des escaliers.
13. Ne pas aspirer des liquides inflammables ou combustibles, comme de l'essence, et ne pas faire fonctionner dans des endroits où peuvent se trouver de tels liquides.

GROUNDING INSTRUCTIONS

This appliance must be grounded. If it should malfunction or breakdown, grounding provides a path of least resistance for electric current to reduce the risk of electric shock. This appliance is equipped with a cord having an equipment–grounding conductor and grounding plug. The plug must be plugged into an appropriate outlet that is properly installed and grounded in accordance with all local codes and ordinances.

⚠ WARNING – Improper connection of the equipment–grounding conductor can result in a risk of electric shock. Check with a qualified electrician or service person if you are in doubt as to whether the outlet is properly grounded. Do not modify the plug provided with the appliance – if it will not fit the outlet, have a proper outlet installed by a qualified electrician.

This appliance is for use on a nominal 120–volt circuit and has a grounding attachment plug that looks like the plug illustrated in sketch. Make sure that the appliance is connected to an outlet having the same configuration as the plug. No adaptor should be used with this appliance.



INSTRUCTIONS VISANT LA MISE 'A LA TERRE

Cet appareil doit être mis à la terre. En cas de défaillance ou de panne éventuelles, la mise à la terre fournit au courant un chemin de moindre résistance qui réduit le risque de choc électrique. Cet appareil est pourvu d'un cordon muni d'un conducteur de terre et d'une fiche avec broche de terre. La fiche doit être branchée dans une prise appropriée correctement installée et mise à la terre conformément aux règlements et ordonnances municipaux.

AVERTISSEMENT. Un conducteur de terre mal raccordé peut entraîner un risque de choc électrique. Consulter un électricien ou un technicien d'entretien qualifié si vous n'êtes pas certain que la prise est correctement mise à la terre. Ne pas modifier la fiche fournie avec l'appareil – si elle ne peut être insérée dans la prise, faire installer une prise adéquate par un électricien qualifié.

Cet appareil est destiné à un circuit de 120 v et est muni d'une fiche de mise à la terre semblable à celle illustrée par le croquis. S'assurer que l'appareil est branché à une prise de courant ayant la même configuration que la fiche. Aucun adaptateur ne devrait être utilisé avec cet appareil.

This manual is furnished with each new model . It provides necessary operation and maintenance instructions and an illustrated parts list.

Read this manual completely and understand the machine before operating or servicing it.

When ordering replacement parts, use the parts list section in this manual. Before ordering parts or supplies, be sure to have your machine model number and serial number available. Parts and supplies may be ordered by phone or mail from any authorized Service Center or Distributor.

This machine will provide excellent service. However, the best results will be obtained at minimum costs if:

- The machine is operated with reasonable care.
- The machine is maintained regularly - per the machine care instructions provided.
- The machine is maintained with manufacturer supplied or equivalent parts.

MACHINE DATA

Please fill out at time of installation for future reference.

Model No.- _____ Install. Date - / /

Serial No.- _____

©2001 Tennant Company

Printed in U.S.A.

TABLE OF CONTENTS

SAFETY PRECAUTIONS	6
GROUNDING INSTRUCTIONS	6
MACHINE COMPONENTS	7
MACHINE SETUP	7
MACHINE OPERATION	8
MACHINE MAINTENANCE	9
TROUBLE SHOOTING	10
SPECIFICATIONS	10
ELECTRICAL DIAGRAM	20
PARTS LIST	22
UPPER UNIT	22
LOWER UNIT	24

OPERATION

SAFETY PRECAUTIONS

This machine is intended for commercial use. It is designed to scrub hard floors in an indoor environment and is not constructed for any other use. Use only recommended pads, brushes and cleaning solutions.

The following safety alert symbols are used throughout this manual as indicated in their description.

⚠ WARNING: To warn of hazards or unsafe practices which could result in severe personal injury or death.

FOR SAFETY: To identify actions which must be followed for safe operation of equipment.

The following information signals potentially dangerous conditions to the operator or equipment:

FOR SAFETY:

1. Do not operate machine:
 - Unless trained and authorized.
 - Unless operator manual is read and understood.
 - In flammable or explosive areas.
 - Unless cord is properly grounded.
 - With damaged cord or plug.
 - If not in proper operating condition.
 - In outdoor areas.
 - In standing water.
 - With the use of an extension cord.
2. Before operating machine:
 - Make sure all safety devices are in place and operate properly.
3. When using machine:
 - Do not run machine over cord.
 - Do not pull machine by plug or cord.
 - Do not pull cord around sharp edges or corners.
 - Do not unplug by pulling on cord.
 - Do not stretch cord.
 - Do not handle plug with wet hands.
 - Keep cord away from heated surfaces.
 - Do not release handle grips until pad comes to a complete stop.
 - Go slow on inclines and slippery surfaces.
 - Report machine damage or faulty operation immediately.

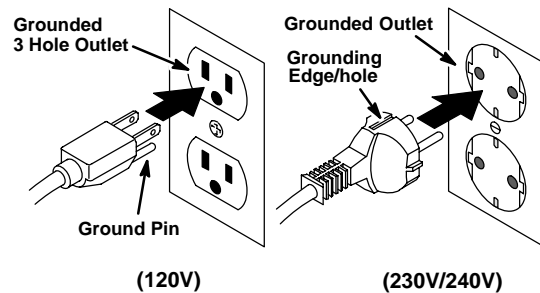
4. Before leaving or servicing machine:
 - Turn off machine.
 - Unplug cord from wall outlet.
5. When servicing machine:
 - Unplug cord from wall outlet.
 - Avoid moving parts. Do not wear loose jackets, shirts, or sleeves.
 - Use manufacturer supplied or approved replacement parts.

⚠ WARNING: Hazardous Voltage. Shock or electrocution can result. Unplug machine before servicing.

⚠ WARNING: Flammable materials can cause an explosion or fire. Do not use.

GROUNDING INSTRUCTIONS

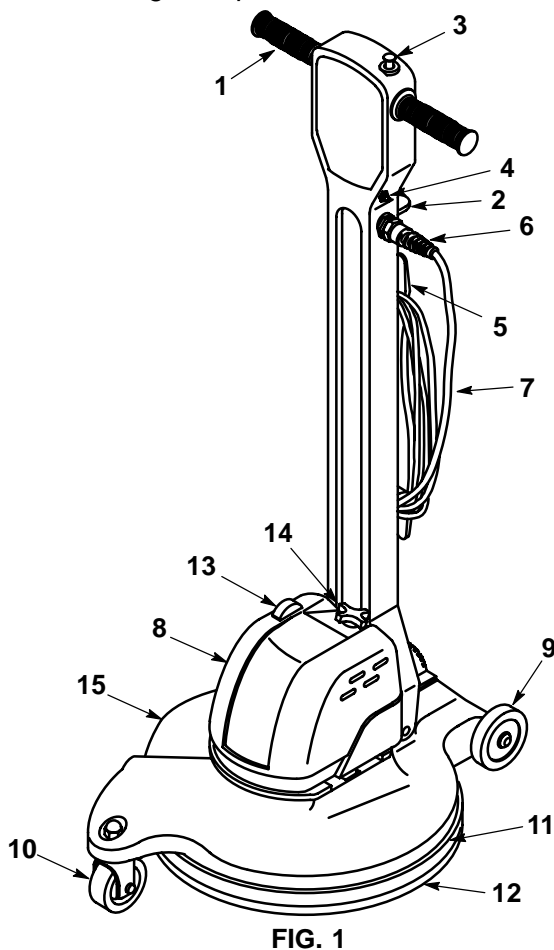
Machine must be grounded. If it should malfunction or breakdown, grounding provides a path of least resistance for electrical current to reduce the risk of electrical shock. This machine is equipped with a cord having an equipment-grounding conductor and grounding plug. The plug must be plugged into an appropriate outlet that is properly installed in accordance with all local codes and ordinances. Do not remove ground pin; if missing, replace plug before use.



MACHINE COMPONENTS

(Figure 1)

1. Twist Grips
2. Adjustable Handle Release Lever
3. Safety Lock Button
4. Circuit Breaker Button
5. Power Cord Hook
6. Cord Grip
7. 23 m (75 ft) Power Cord
8. Motor Cover
9. Rear Wheels
10. Pivoting Caster
11. Flexible Pad Driver
12. Burnish Pad
13. Pad Pressure Meter
14. Pad Pressure Adjustment Knob
15. Dust Bag Compartment Cover



MACHINE SETUP

Carefully check carton for signs of damage. Report damages at once to carrier.

1. Select and install recommended pad that best meets your cleaning needs.

NOTE: Proper pad selection is important for best results. See your authorized distributor to assist you in choosing the right pad for your specific cleaning needs.

⚠ WARNING: Hazardous Voltage. Shock or electrocution can result. Unplug machine before servicing.

2. To install pad, tilt machine back on wheels until machine is resting on handle.
3. Remove yellow centerlock by turning counterclockwise.
4. Place selected pad on flexible pad driver and replace centerlock. Be certain centerlock is tight (Figure 2).

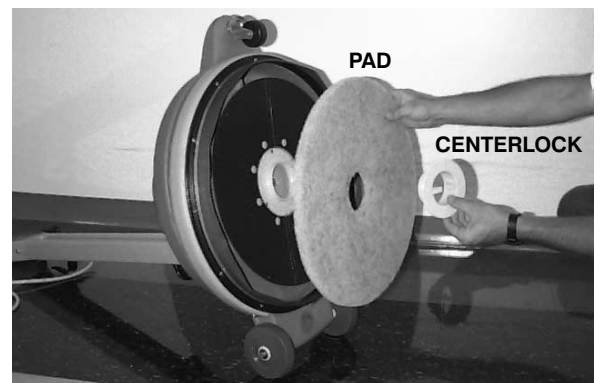


FIG. 2

5. After pad is installed return machine to upright position.
6. Check to ensure dust bag is installed (Figure 3).



FIG. 3

OPERATION

7. Plug power supply cord to a grounded wall outlet (Figure 4).

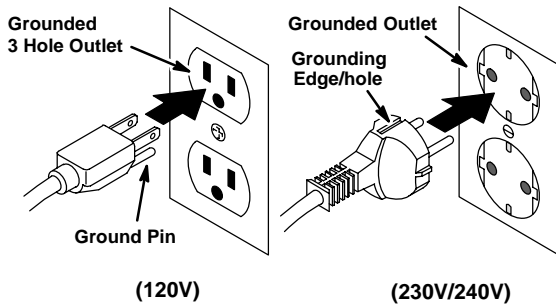


FIG. 4

FOR SAFETY: Do not operate machine unless cord is properly grounded.

FOR SAFETY: Do not operate machine with the use of an extension cord.

MACHINE OPERATION

FOR SAFETY: Do not operate machine unless operator manual is read and understood.

1. Adjust handle to a comfortable operating height. Lift handle release lever and lower handle to adjust. Release lever to lock handle in position, six settings (Figure 5).



FIG. 5

ATTENTION: Use caution when starting out. Machine will jolt when twist grips are turned.

2. Start machine by pressing safety lock button and turning twist grips forward. Release thumb from safety lock button once machine starts (Figure 6).

FOR SAFETY: When using machine, go slow on inclines and slippery surfaces.

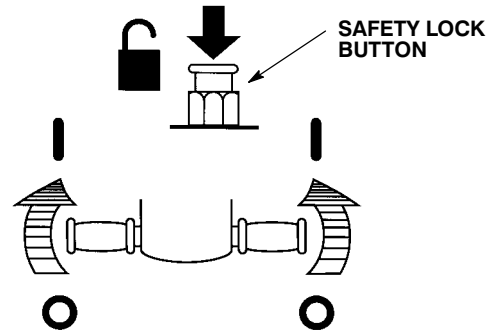


FIG. 6

3. Once you begin operating machine, view pad pressure meter and adjust pad pressure adjustment knob if necessary. Operate machine with meter needle in the green zone ONLY. Turn knob counterclockwise to increase pad pressure and clockwise to decrease (Figure 7).

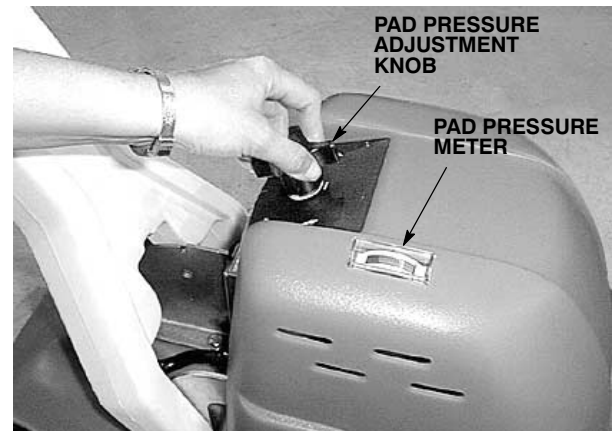


FIG. 7

⚠ WARNING: Flammable materials can cause an explosion or fire. Do not use.

ATTENTION: Keep machine moving to prevent floor surface damage.

NOTE: To prevent the possibility of motor overload and causing circuit breaker to trip. Periodically check pad pressure meter and pad for excessive soil build-up. Turn pad over, clean or replace when necessary. If Circuit Breaker should trip, unplug power cord. Wait at least 15 seconds before resetting breaker switch. While waiting determine reason why circuit breaker tripped (Figure 8).

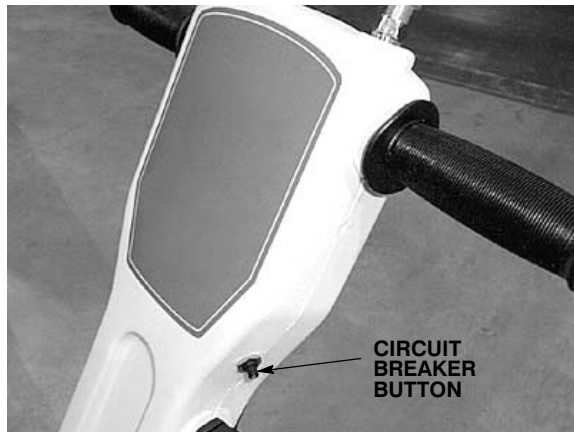


FIG. 8

4. Begin burnishing by moving machine forward and backward or using a "W" pattern motion.
5. To stop machine, rotate twist grips backward and safety lock button will engage.

FOR SAFETY: When using machine, do not release handle grips until pad comes to complete stop.

6. When job is completed, remove pad from pad driver to prevent pad damage.

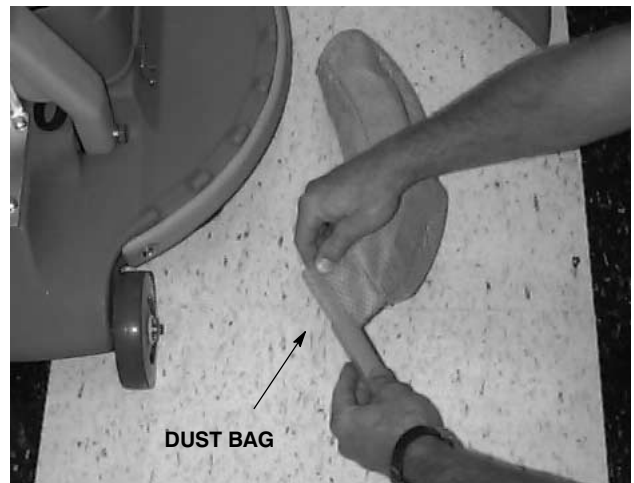


FIG. 9

3. Clean machine with an all purpose cleaner after each use.
4. Clean pads after each use. Never use soiled pads or allow pads to become oversoiled before changing.
5. Always wind power cord around cord hooks rather than loosely looped over handle. Wipe cord with damp cloth after each use. Also, check power cord for damage, if worn or damaged, replace immediately.
6. Periodically check that all bolts and nuts are tight.
7. Every 250 hours of operation check motor for carbon brush wear. Remove motor cover to access carbon brushes. Replace brushes if worn to a length of 10mm (0.38 in) or less.

MACHINE MAINTENANCE

⚠ WARNING: Hazardous Voltage. Shock or electrocution can result. Unplug machine before servicing.

1. Remove pad after each use. This prevents damage to pad.
2. Empty dust bag after each use. Slide bag clip off at bottom of bag to empty (Figure 9).

OPERATION

TROUBLE SHOOTING

PROBLEM	CAUSE	SOLUTION
Machine does not operate.	Machine unplugged.	Plug machine in.
	Machine circuit breaker tripped.	Reset breaker on machine.
	Building circuit breaker tripped.	Reset breaker and change to different circuit.
	Faulty power cord.	Contact Service Center.
	Faulty wiring.	Contact Service Center.
	Faulty twist grip switch.	Contact Service Center.
	Faulty rectifier.	Contact Service Center.
Machine circuit breaker trips continuously.	Too much pad pressure.	Adjust pad pressure knob.
	Soiled Pad.	Replace Pad.
	Improper pad for application	Change to proper pad.
	Faulty circuit breaker.	Contact Service Center.
	Worn motor brushes.	Contact Service Center.

SPECIFICATIONS

MODEL	2360
WIDTH	610 mm (24 in)
HEIGHT	1270 mm (50 in)
WEIGHT	32Kg (70 lbs)
DRIVE MOTOR	120V – 1.5 hp 12AMP 60Hz
PAD/BRUSH SPEED	2000 RPM
POWER CORD LENGTH	23m (75 ft)
BRUSH PAD DIA.	510 mm (20 in)
DECIBEL RATING AT OPERATOR'S EAR, INDOORS ON TILE FLOOR	<70dB(A)

INSTRUCCIONES IMPORTANTES DE SEGURIDAD

Deben observarse siempre instrucciones básicas de seguridad al usar artefactos eléctricos incluyendo las siguientes:

LEER TODAS LAS INSTRUCCIONES DE SEGURIDAD ANTES DE USAR (ESTE ARTEFACTO)

⚠ ADVERTENCIA: Para reducir el riesgo de incendio, choque eléctrico o lesiones:

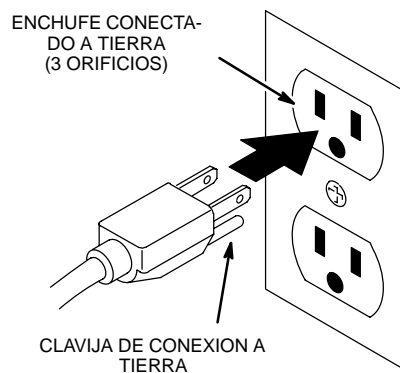
1. No dejar el artefacto desatendido cuando está enchufado. Desenchufar del tomacorrientes cuando no se usa y antes de prestar servicio.
2. Usar sólo limpiadores de piso y ceras comercialmente disponibles destinadas para aplicación a máquina.
3. No permitir que se use como un juguete. Se requiere mucha atención cuando se usa por o cerca de los niños.
4. Usar sólo según se describe en este manual. Usar sólo los aditamentos recomendados por el fabricante.
5. No usar con un cordón o enchufe dañados. Si el artefacto no está funcionando correctamente, se ha caído, está averiado, se ha dejado al aire libre, o se ha caído en el agua, devolverlo al centro de servicio.
6. No tirar de ni arrastrar por el cordón, no usar el cordón como un mango, no cerrar la puerta sobre el cordón ni tirar del cordón sobre bordes o esquinas aguzadas. No pasar el artefacto sobre el cordón. Mantener el cordón alejado de superficies calientes.
7. No desenchufar tirando del cordón. Para desenchufar, sujetar el enchufe, no el cordón.
8. No manejar el enchufe o el artefacto con las manos mojadas.
9. No colocar objetos en las aberturas. No usar con aberturas bloqueadas, mantener libre de polvo, pelusa, cabellos y todo lo que pueda reducir el flujo de aire.
10. Mantener el cabello, ropas holgadas, dedos, y todas las partes del cuerpo alejadas de las aberturas y piezas móviles.
11. Antes de desenchufar apagar todos los controles.
12. Ser muy precavido al limpiar sobre escaleras.
13. No usar para aspirar líquidos inflamables o combustibles tales como gasolina o usar en áreas donde puedan estar presentes.

INSTRUCCIONES DE CONEXION A TIERRA

Este artefacto debe conectarse a tierra. Si funciona mal o se descompone, la conexión a tierra provee una trayectoria de menor resistencia para la corriente eléctrica, para reducir el riesgo de choque eléctrico. Este artefacto está provisto con un cordón que tiene un conductor de conexión a tierra del equipo y un enchufe de conexión a tierra. El enchufe debe enchufarse a un tomacorrientes apropiado que esté correctamente instalado y conectado a tierra de acuerdo con todos los códigos y ordenanzas locales.

⚠ ADVERTENCIA: La conexión incorrecta del conductor de conexión a tierra del equipo puede resultar en un riesgo de choque eléctrico. Consultar con un electricista calificado o persona de servicio si existen dudas acerca de si el tomacorrientes está correctamente conectado a tierra. No se debe modificar el enchufe provisto con el artefacto – si no se inserta en el tomacorrientes hacer que un electricista calificado instale un tomacorrientes correcto.

Este artefacto es para usar en un circuito nominal de 120 voltios y tiene un enchufe de aditamento para conectar a tierra que se parece al enchufe ilustrado en la figura. Asegurarse que el artefacto esté conectado a un tomacorrientes con la misma configuración que el enchufe. No se debe usar un adaptador con este artefacto.



Este manual se proporciona con cada nuevo modelo. Proporciona instrucciones necesarias de mantenimiento y lista ilustrada de piezas.

Lea el manual entero para comprender el funcionamiento de la máquina antes de utilizarla o revisarla.

Esta máquina le proporcionará un servicio excelente. Sin embargo, obtendrá los mejores resultados al coste mínimo si:

- Utiliza la máquina con un cuidado razonable.
- Revisa la máquina periódicamente - según las instrucciones de mantenimiento adjuntas.
- La máquina se mantiene con las piezas provistas por el fabricante o equivalentes.

DATOS DE LA MÁQUINA

Por favor rellene estos datos en el momento de la instalación para utilizarlos como referencia en el futuro.

Nº Modelo- _____ Fecha de instal. - / /

Nº de serie de la máquina - _____

Copyright ©2001 TENNANT, Printed in U.S.A.

ÍNDICE

MEDIDAS DE SEGURIDAD	14
INSTRUCCIONES PARA LA CONEXIÓN	
A LA TOMA DE TIERRA	14
COMPONENTES DE LA MÁQUINA	15
INSTALACIÓN DE LA MÁQUINA	15
FUNCIONAMIENTO DE LA MÁQUINA	16
MANTENIMIENTO DE LA MÁQUINA	18
LOCALIZACIÓN DE AVERÍAS	19
ESPECIFICACIONES	19
DIAGRAMS ELECTRICAS	20
LISTAS DE PIEZAS	22
PARTE DE SUPERIOR	22
PARTE DE INFERIOR	24

OPERACIÓN

MEDIDAS DE SEGURIDAD

Esta máquina está destinada al uso comercial. Está diseñada exclusivamente para limpiar alfombras y cortinas en recintos cerrados. Utilice únicamente los detergentes y accesorios recomendados.

Todos los operarios deben leer, comprender y cumplir las siguientes medidas de seguridad.

En este manual se utilizan los siguientes símbolos de peligro, cuyo significado se indica a continuación:

⚠ ADVERTENCIA: Para advertir sobre riesgos o hábitos peligrosos que podrían causar lesiones corporales graves o fatales.

PARA SU SEGURIDAD: Para indicar las operaciones que deben realizarse para una utilización segura del equipo.

La siguiente información indica las condiciones potencialmente peligrosas para el operario o equipo:

PARA SU SEGURIDAD:

1. No utilice la máquina:

- Salvo que esté adecuadamente cualificado y autorizado.
- Salvo que haya leído y comprendido el manual del operario
- En lugares con material inflamable o explosivo.
- Con el cable eléctrico o enchufe en malas condiciones.
- Si la máquina no funciona correctamente.
- Al aire libre
- Cuando haya agua en el suelo.
- Si la toma de tierra del cable eléctrico no funciona correctamente.
- Con un alargador.

2. Antes de utilizar la máquina:

- Asegúrese de que todos los dispositivos de control se encuentran en su sitio y funcionan correctamente.

3. Al utilizar la máquina:

- No permita que la máquina pase por encima del cable eléctrico.
- No mueva la máquina tirando del cable eléctrico o del enchufe.
- No tire del cable eléctrico cuando se encuentre contra aristas o esquinas.
- No desenchufe la máquina tirando del cable eléctrico.
- No intente estirar demasiado el cable eléctrico.
- No toque el enchufe con las manos húmedas.
- Mantenga el cable eléctrico alejado de superficies calientes.

- No suelte los mandos giratorios en ningún momento. Al detener la máquina, espere que la almohadilla se haya detenido totalmente.
- Conduzca despacio en pendientes y superficies resbaladizas.
- Informe inmediatamente si la máquina presenta averías o funciona incorrectamente.

4. Antes de estacionar o revisar la máquina:

- Apague la máquina.
- Desconecte el cable eléctrico del enchufe de la pared.

5. Al revisar la máquina:

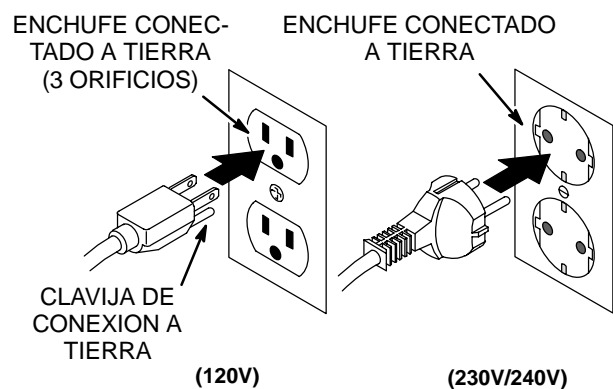
- Desconecte el cable eléctrico del enchufe de la pared.
- Evite las partes en movimiento. No lleve chaquetas, camisas o mangas sueltas.
- Utilice piezas de recambio suministradas o aprobadas por el fabricante.

⚠ ADVERTENCIA: Alta tensión. Existe riesgo de electrocución o descarga eléctrica. Desenchufe siempre la máquina antes de realizar cualquier revisión.

⚠ ADVERTENCIA: Los materiales inflamables pueden provocar explosiones o incendios. No utilice.

INSTRUCCIONES PARA LA CONEXIÓN A LA TOMA DE TIERRA

La máquina debe conectarse a tierra. Si funciona mal o se rompe, la conexión a tierra proporciona un recorrido de menor resistencia para la corriente eléctrica para reducir el riesgo de choque eléctrico. Esta máquina está equipada con un cordón que tiene un conductor de conexión a tierra del equipo y un enchufe de conexión a tierra. El enchufe debe enchufarse en un tomacorrientes apropiado que esté bien instalado de acuerdo con todos los códigos y ordenanzas locales. No extraiga la clavija de conexión a tierra; en caso de faltar, vuelva a colocar el enchufe antes de usar.



COMPONENTES DE LA MÁQUINA

(Consulte la figura 1 de la página extensible)

1. Mandos giratorios
2. Palanca de liberación del ajuste de la columna de mandos
3. Botón de seguridad
4. Botón del cortacircuitos
5. Gancho para el cable eléctrico
6. Sujeción del cable
7. Cable eléctrico (23 m)
8. Tapa del motor
9. Ruedas traseras
10. Ruedecilla pivotante
11. Impulsor flexible de la almohadilla
12. Almohadilla de pulido
13. Indicador de la presión de la almohadilla
14. Botón de ajuste de la presión de la almohadilla
15. Tapa del compartimento de la bolsa de polvo

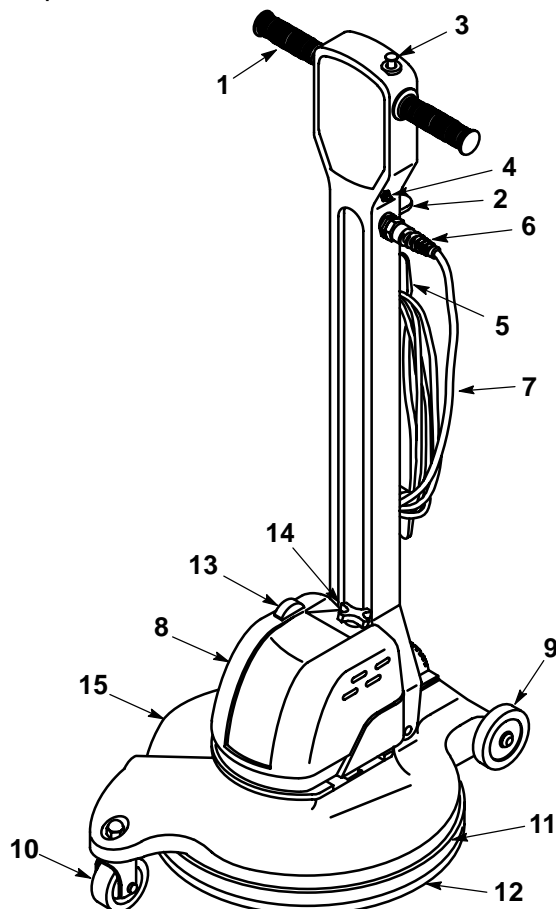


FIG. 1

INSTALACIÓN DE LA MÁQUINA

Compruebe cuidadosamente si la caja de cartón muestra daños. En caso de que así sea informe inmediatamente de los daños al transportista. Controle si el enchufe instalado corresponde a su enchufe de pared.

1. La máquina se ha embalado completamente montada. La bolsa de polvo viene instalada de fábrica y las almohadillas se venden separadamente. Seleccione e instale las almohadillas que mejor se adapten a sus necesidades.

NOTA: La adecuada selección de las almohadillas es importante para la obtención de resultados óptimos. Consulte a su distribuidor autorizado para la elección de la almohadilla adecuada para sus necesidades específicas.

⚠ ADVERTENCIA: Alta tensión. Existe riesgo de electrocución o descarga eléctrica. Desenchufe siempre la máquina antes de realizar cualquier revisión.

2. Instalación de la almohadilla: Incline la máquina hacia atrás sobre las ruedas posteriores hasta que la máquina descansa sobre la columna de mandos.
3. Retire el cierre central amarillo girándolo en sentido contrario al de las agujas del reloj.
4. Coloque la almohadilla seleccionada en el impulsor flexible de la almohadilla y vuelva a instalar el cierre central. Asegúrese de fijar bien dicho cierre central (Figura 2).

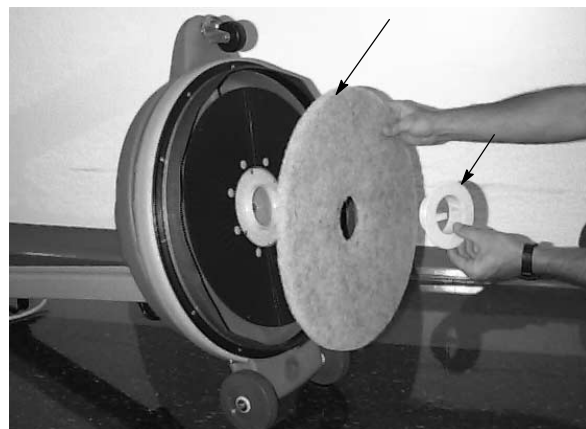


FIG. 2

OPERACIÓN

5. Devuelva la máquina a la posición vertical cuando haya instalado la almohadilla.
6. Asegúrese de que la bolsa de polvo esté instalada (Figura 3).



FIG. 3

7. Enchufe la máquina en un enchufe de la pared con toma de tierra (Figura 4).

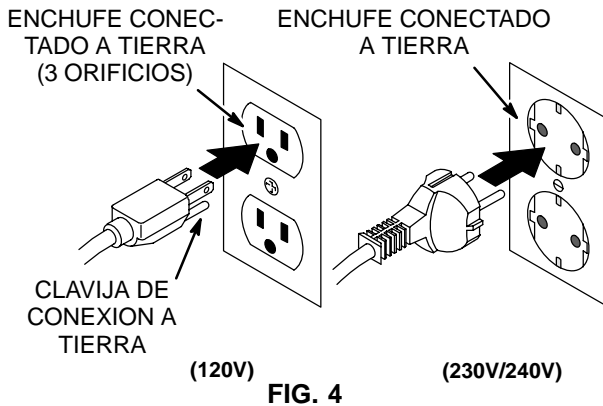


FIG. 4

PARA SU SEGURIDAD: No utilice la máquina salvo que el cable eléctrico tenga una toma de tierra que funcione correctamente.

PARA SU SEGURIDAD: No utilice la máquina con un cable eléctrico alargador.

FUNCIONAMIENTO DE LA MÁQUINA

PARA SU SEGURIDAD: No utilice la máquina salvo que haya leído y comprendido el manual de instrucciones.

1. Ajuste la columna de mandos a una altura de funcionamiento cómoda: levante la palanca de liberación de la columna de mandos y baje dicha columna, suelte la palanca para bloquear la columna en cualquiera de los seis ajustes posibles (Figura 5).

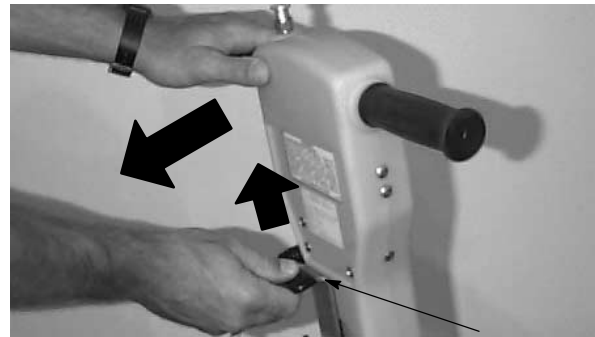


FIG. 5

ATENCIÓN: Extreme las precauciones al empezar a utilizar la máquina. La máquina se moverá bruscamente al girar los mandos.

2. Arranque la máquina pulsando el botón de seguridad y girando los mandos giratorios hacia delante. Suelte el botón de seguridad cuando la máquina haya arrancado (Figura 6).

PARA SU SEGURIDAD: Conduzca despacio cuando utilice la máquina en pendientes o superficies resbaladizas.

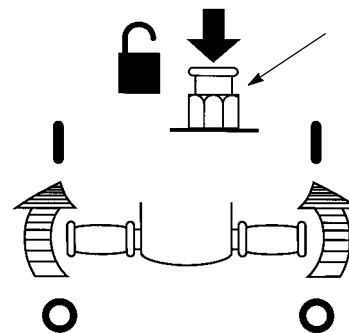


FIG. 6

3. Cuando la máquina esté en marcha, controle la presión de la almohadilla y ajústela con el botón de ajuste de la presión de la almohadilla en caso necesario. Utilice la máquina ÚNICAMENTE cuando la aguja del indicador de la presión se encuentre en la zona verde. Gire el botón en sentido contrario al de las agujas del reloj para aumentar la presión de la almohadilla y en sentido contrario para reducirla (Figura 7).

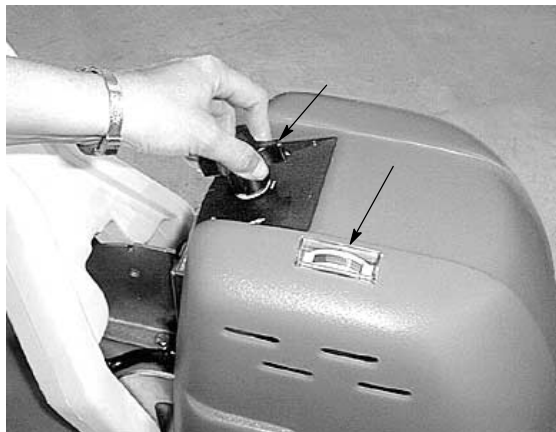


FIG. 7

⚠ ADVERTENCIA: Los materiales inflamables pueden provocar explosiones o incendios. No utilice.

ATENCIÓN: Mantenga siempre la máquina en movimiento para evitar dañar el suelo.

NOTA: Para evitar la posibilidad de sobrecarga del motor que causaría la activación del cortacircuitos, controle periódicamente el indicador de la presión de la almohadilla y si existe acumulación de suciedad en la almohadilla. Invierta, limpie o sustituya la almohadilla cuando sea necesario. Si el cortacircuitos se activa, desenchufe la máquina. Espere al menos 15 segundos antes de reajustar el interruptor del cortacircuitos. Mientras espera, determine la causa de la activación del cortacircuitos (Figura 8).



FIG. 8

4. Comience la operación de pulido empujando la máquina hacia delante o desplácela siguiendo un patrón en W.
5. Parada de la máquina: Gire los mandos giratorios hacia atrás. Esto activará el botón de seguridad.

PARA SU SEGURIDAD: Al utilizar la máquina, no suelte los mandos hasta que la almohadilla se haya detenido totalmente.

6. Cuando termine de utilizar la máquina, retire la almohadilla de su impulsor para evitar que se deteriore dicha almohadilla.

MANTENIMIENTO DE LA MÁQUINA

⚠ ADVERTENCIA: Alta tensión. Existe riesgo de electrocución o descarga eléctrica. Desenchufe siempre la máquina antes de realizar cualquier revisión.

1. Retire la almohadilla después de cada uso. Esto evitará que se deteriore dicha almohadilla.
2. Vacíe la bolsa de polvo después de cada uso. Saque la bolsa de su clip de sujeción situado en la parte inferior y vacíe la bolsa (Figura 9).

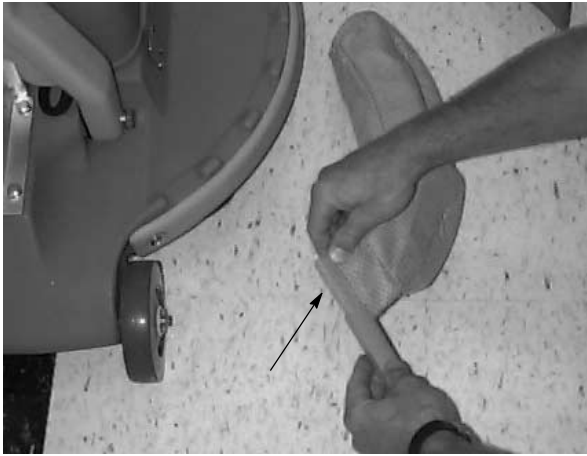


FIG. 9

3. Limpie el líquido abrillantador que pudiera quedar en la base de la máquina después de cada uso.
4. Lave siempre las almohadillas después de cada uso. No utilice nunca almohadillas sucias ni permita que las almohadillas se ensucien excesivamente antes de sustituirlas.
5. Recoja y enrolle siempre el cable eléctrico alrededor de los ganchos destinados a este fin en vez de enrollarlo descuidadamente alrededor de la columna. Limpie el cable con un paño húmedo después de cada uso. Compruebe si el cable eléctrico está en buenas condiciones, si está gastado o deteriorado, sustitúyalo inmediatamente.
6. Controle periódicamente si todos los tornillos y tuercas están bien fijos.
7. Controle los cepillos de carbón del motor cada 250 horas de funcionamiento. Retire la tapa del motor para poder acceder a los cepillos de carbón. Sustituya los cepillos si su longitud es igual o inferior a 9,5 mm. Este operación únicamente debe ser realizada por personal autorizado de Tennant.

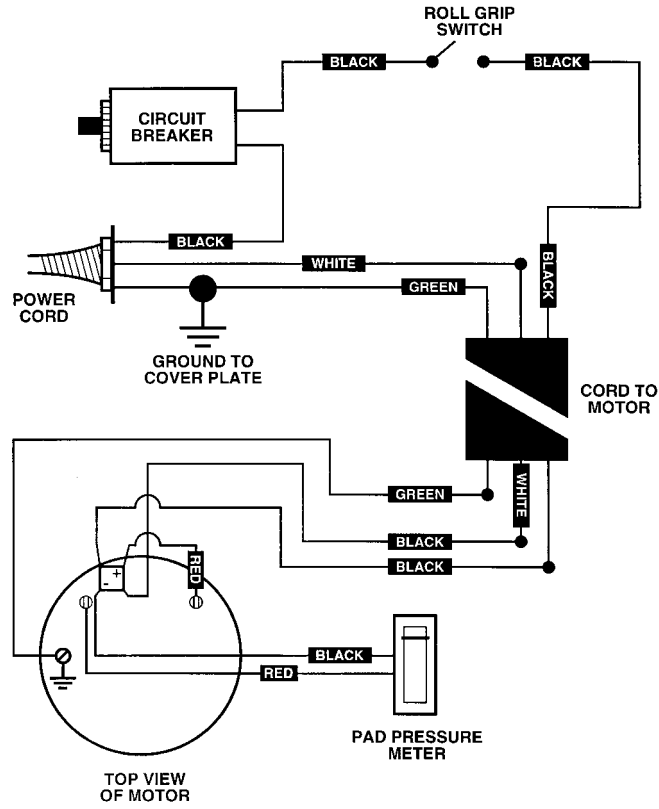
LOCALIZACIÓN DE AVERÍAS

PROBLEMA	CAUSA	SOLUCIÓN
La máquina no funciona.	Máquina desenchufada.	Enchufar la máquina.
	Cortacircuitos de la máquina activado.	Reajustar el cortacircuitos de la máquina.
	Cortacircuitos del edificio activado.	Reajustar el cortacircuitos del edificio.
	Cable eléctrico defectuoso.	Consulte con el Centro de Servicio.
	Cableado defectuoso.	Consulte con el Centro de Servicio.
	Interruptor del mando giratorio defectuoso.	Consulte con el Centro de Servicio.
	Rectificador defectuoso.	Consulte con el Centro de Servicio.
El cortacircuitos de la máquina se activa continuamente.	Presión de la almohadilla excesiva.	Ajustar el botón de la presión de la almohadilla.
	Almohadilla sucia.	Sustituir la almohadilla.
	Almohadilla no adecuada para la aplicación.	Instalar la almohadilla adecuada.
	Cortacircuitos defectuoso.	Consulte con el Centro de Servicio.
	Cepillos del motor gastados.	Consulte con el Centro de Servicio.

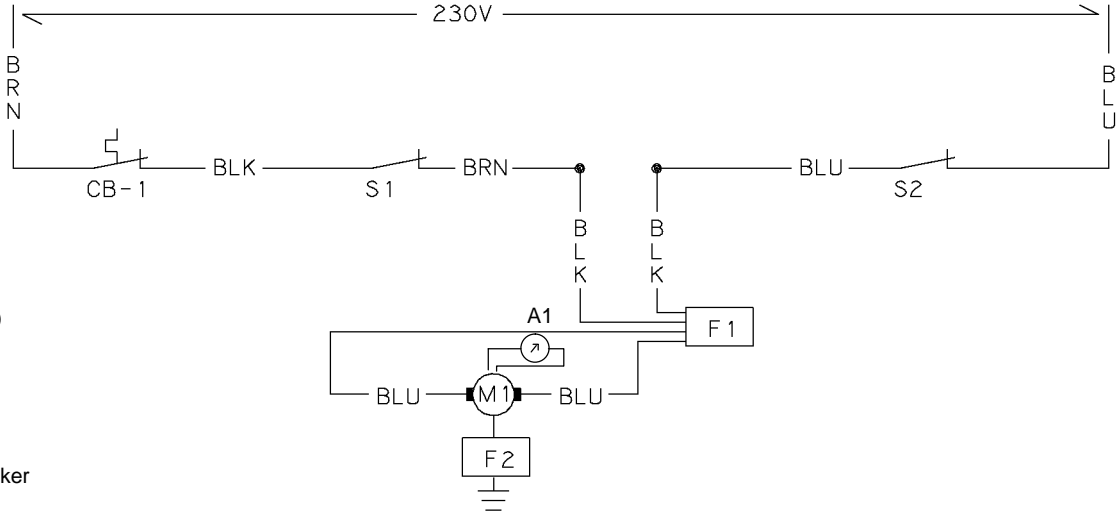
ESPECIFICACIONES

MODELO	2360
ANCHURA	610mm (24 in)
ALTURA	1270mm (50 in)
PESO	32kg/70 lbs
MOTOR DE IMPULSIÓN	120V, 1.5 hp 12AMP 60Hz
VELOCIDAD CEPILLO/ALMOHADILLA	2000 rpm
LONGITUD DEL CABLE ELÉCTRICO	23m (75 ft)
DIÁMETRO CEPILLO/ALMOHADILLA	510mm (20 in)
NIVEL SONORO A LA ALTURA DEL OPERARIO, EN RECINTO INTERIOR CON SUELO DE BALDOSAS (EN DECIBELIOS)	<70dB(A)

120V



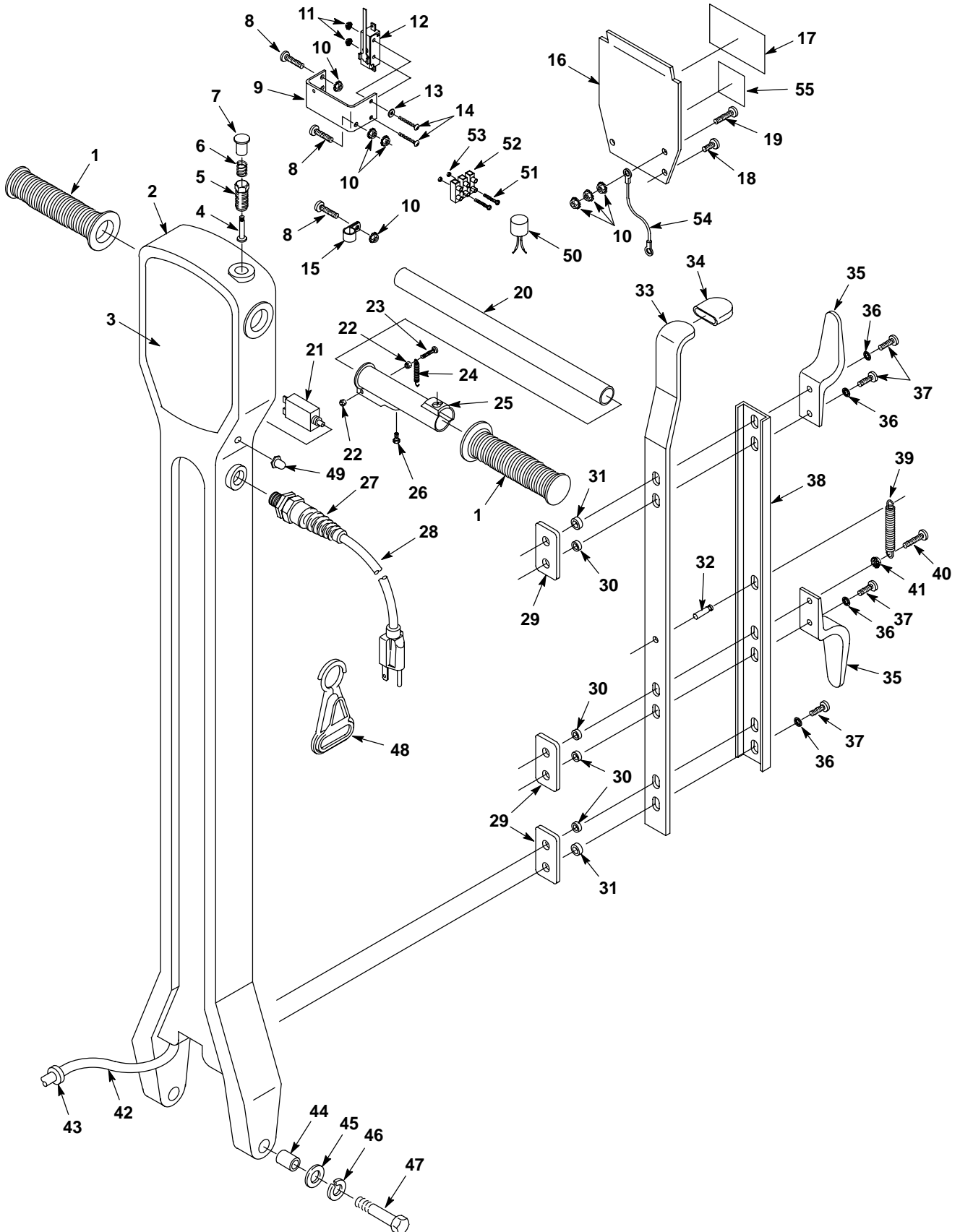
230V Kema



REF LEGEND

- BLK = Black
- BRN = Brown
- BLU = Blue
- S1 = Switch, Roll
- S2 = Switch, Roll
- CB1 = Circuit Breaker
- M1 = Motor
- F 1= Filter, RFI
- F 2= Choke, RFI
- A1= Ammeter

UPPER UNIT
PARTE SUPERIOR



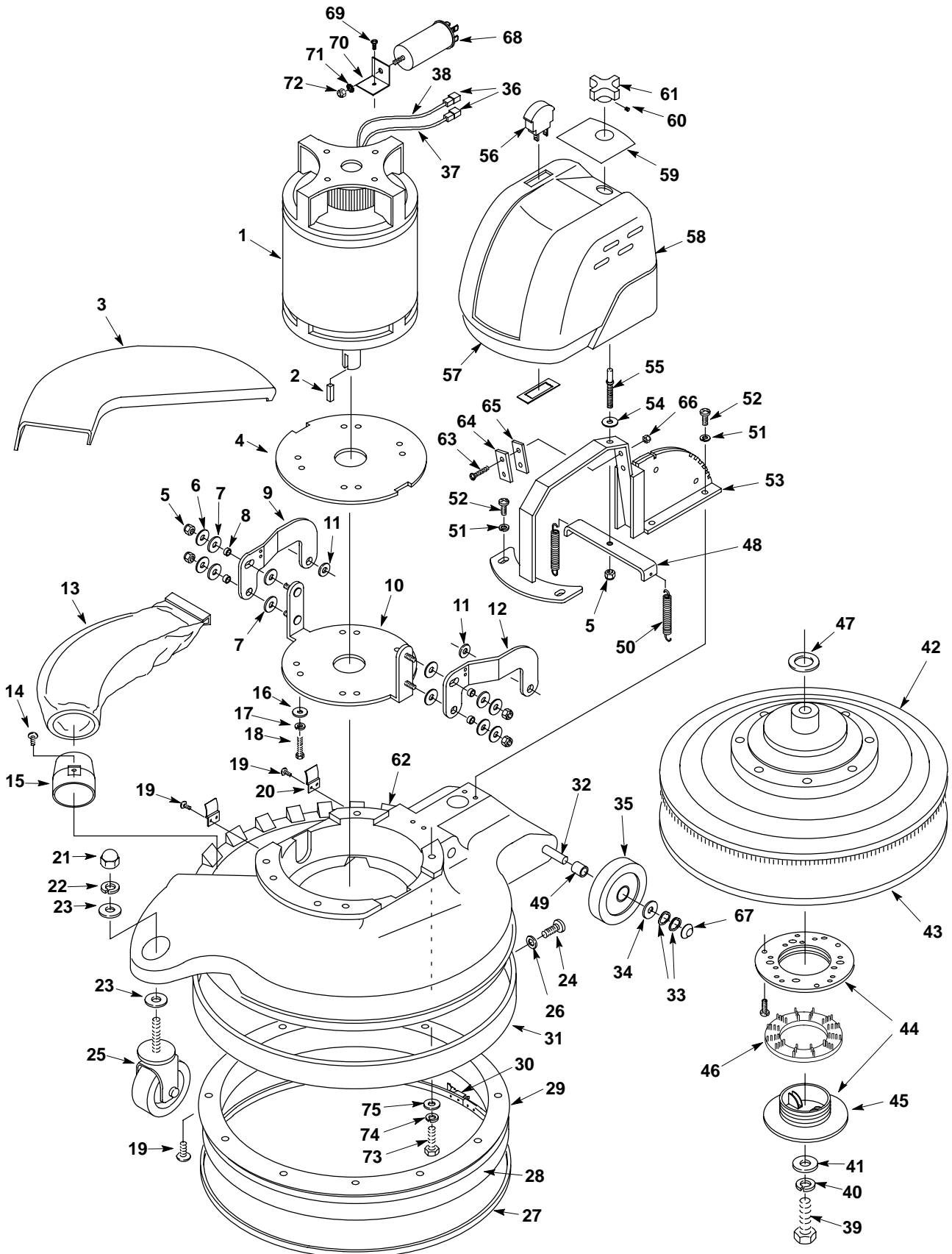
UPPER UNIT
PARTE SUPERIOR

REF	PART #	DESCRIPTION	QTY.
1	200823	GRIP, HANDLE TUBE	2
2	607637	HANDLE, OFF-WHITE	1
3	608114	DECAL, 2360	1
4	230856	PIN, LOCK RELEASE	1
5	230857	SOCKET, LOCK	1
6	140401	SPRING, LOCK BUTTON	1
7	230855	BUTTON, LOCK RELEASE	1
8	140823	SCREW, 10-24X5/8	3
9	230854	BRACKET, SWITCH	1
10	140519	NUT, 10-24	8
11	140539	NUT, 6-32	2
12	605407	●SWITCH	1
13	140032	WASHER, #6 FLAT	1
14	140829	SCREW, 6-32X1 (120V)	2
15	140328	CLAMP, CABLE 5/16ID BLK NYLON	1
16	609700	COVER, HANDLE OFF-WHITE	1
17	120619	DECAL, WARNING	1
18	140197	SCREW, 10-24X3/8	2
19	140900	SCREW, 10-24X3/4	2
20	230853	HANDLE, TUBE	1
21	605201	●BREAKER, CIRCUIT 17AMP (120V)	1
22	28990	NUT, 8-32 NYLOCK	2
23	6010.16	SCREW, 8-32X1	1
24	600987	SPRING	1
25	100355	SLEEVE, LOCKING	1
26	140259	SCREW, 1/4-20X5/8	1
27	602849	GRIP, CORD (120V MODEL)	1
	130167	GRIP, CORD (230V MODEL)	1
28	610974	●CORD, 14/3X75' YELLOW (120V)	1
29	230852	PLATE, BACKING	3

REF	PART #	DESCRIPTION	QTY.
30	140147	BUSHING, .25X.44X.20	4
31	140146	BUSHING, .25X.50X.19	2
32	140604	PIN, GROOVE 1/4X3/4	1
33	611141	LATCH, HANDLE	1
34	200821	GRIP, LATCH	1
35	602750	HOOK, CORD	2
36	140052	WASHER, 1/4 EXT	5
37	140864	SCREW, 1/4-20X3/4	5
38	230859	CHANNEL, LATCH HANDLE	1
39	140402	SPRING, HANDLE LATCH	1
40	140881	SCREW, 1/4-20X1	1
41	140524	NUT, 1/4-20 KEP	1
42	610907	●CORD, 12/3X54" BLACK	1
43	610998	BUSHING, STRAIN-RELIEF	1
44	600192	BUSHING	2
45	3148.818	WASHER, FLAT	2
46	140024	WASHER, LOCK	2
47	140234	SCREW, 1/2-13X2-1/2	2
48	130176	●BELT CLIP, STRAIN-RELIEF (OPTIONAL)	1
49	130761	BOOT, BREAKER CLEAR (230V KEMA MODEL)	1
50	601312	CHOKE (230V KEMA MODEL)	1
51	140946	SCREW, 6-32X1 (230V KEMA MODEL)	2
52	130005	TERMINAL, 3 POS STRIP 25AMP (230V KEMA MODEL)	1
53	140534	NUT, 6-32 (230V KEMA MODEL)	2
54	600692	CABLE, STRAIN RELIEF (230V KEMA MODEL)	1
55	578729	DECAL, READ MANUAL	1

● RECOMMENDED STOCK ITEMS / ARTICULOS RECOMENDADOS

LOWER UNIT
PARTE INFERIOR



LOWER UNIT
PARTE INFERIOR

REF	PART #	DESCRIPTION	QTY.
1	130461	●MOTOR, 120V	1
	22117	●CARBON BRUSH	4
	190747	●RECTIFIER	1
2	140628	KEY, MOTOR 3/16X1	1
3	607611	COVER, BAG, TEAL	1
4	600195	SEAL, MOTOR	1
5	600200	NUT, NYLON LOCK 3/8-16	5
6	140013	WASHER, FLAT	4
7	630447	WASHER, NYLON	8
8	600191	BUSHING, .38X.50X.26	4
9	600197	ARM, LIFT RIGHT HAND	1
10	600198	BRACKET, MOTOR	1
11	600190	WASHER, RUBBER	2
12	600196	ARM, LIFT LEFT HAND	1
13	900210	●BAG, FILTER CLOTH	1
14	140340	SCREW, #10X5/8	1
15	230911	TUBE, BAG ADAPTER	1
16	140013	WASHER, FLAT	4
17	140017	WASHER, LOCK	4
18	140201	SCREW, 3/8-16X3/4	4
19	140340	SCREW, #10X5/8	17
20	230910	BRACKET, BAG COVER	2
21	3058	NUT	1
22	140024	WASHER, LOCK	1
23	140045	WASHER, FLAT	2
24	140824	SCREW, 1/4-20X5/8	2
25	600189	●CASTER	1
26	140003	WASHER, 1/4X1	2
27	605103	STRAP, DUST SHIELD	1
28	603744	SKIRT, DUST CONTROL	1
29	230888	RING, DUST SHIELD	1
30	230913	SCREW CLAMP, FOR SKIRT	1
31	602542	BUMPER	1
32	608911	AXLE	1
33	4252	WASHER, COMPRESSION	4
34	3148.816	WASHER, FLAT	2
35	103067	●WHEEL	2
36	130096	TERMINAL, MALE .25 BLUE	2
37	608725	ASM., WIRE #12X15.75" BLK	1
38	608724	ASM., WIRE #12X15.75" RED	1

REF	PART #	DESCRIPTION	QTY.
39	140221	SCREW, 5/16-18X1-1/4	1
40	140015	WASHER, LOCK 5/16	1
41	25732	WASHER, FLAT	1
42	605348	●ASM., DRIVER PAD 20" W/HUB	1
43	604670	PAD, 20" BURNISH HAIRBLEND CARTON-5/PC	1
▽ 44	25707	ASM., CENTERLOCK	1
▲ 45	100101	●RING, PAD RETAINER	1
46	572084000	WASHER, PAD CENTERLOCK	1
47	069760023	WASHER, FLAT	1
48	600194	BRACKET, SPRING	1
49	600192	BUSHING, .50X.62X1.52	2
50	600201	SPRING	2
51	140015	WASHER, LOCK	6
52	140226	SCREW, 5/16-18X5/8	6
53	611129	BRACKET, MOTOR MOUNT	1
54	630447	WASHER, NYLON	1
55	600193	STUD, ADJUST	1
56	603766	●GAUGE, SENSOR 120V	1
57	120582	DECAL, RECESS	1
58	610885	COVER, MOTOR, TEAL	1
59	600202	DECAL, PRESSURE ADJ.	1
60	140894	SCREW, SET	1
61	600974	KNOB	1
62	607607	BASE, TEAL	1
63	578241000	SCREW, M5X.8X20	2
64	607450	PLATE, PLASTIC STOP	1
65	607474	GASKET, PLATE	1
66	140283	NUT, NYLOCK	2
67	103019	CAP, HUB	2
68	600383	FILTER, RFI (230V KEMA MODEL)	1
69	140897	SCREW (230V KEMA MODEL)	1
70	601356	BRACKET, RFI FILTER (230V KEMA MODEL)	1
71	140062	WASHER, 5/16 EXT (230V KEMA MODEL)	1
72	200101017	NUT, M8X1.25 (230V KEMA MODEL)	1
73	600631	SCREW, 1/4-20X1-1/4	4
74	140016	WASHER, 1/4 LOCK	4
75	140000	WASHER, 1/4 FLAT	4

▽ ASSEMBLY / CONJUNTO

▲ INCLUDED IN ASSEMBLY / INCLUIDO EN EL CONJUNTO

● RECOMMENDED STOCK ITEMS / ARTICULOS RECOMENDADOS