

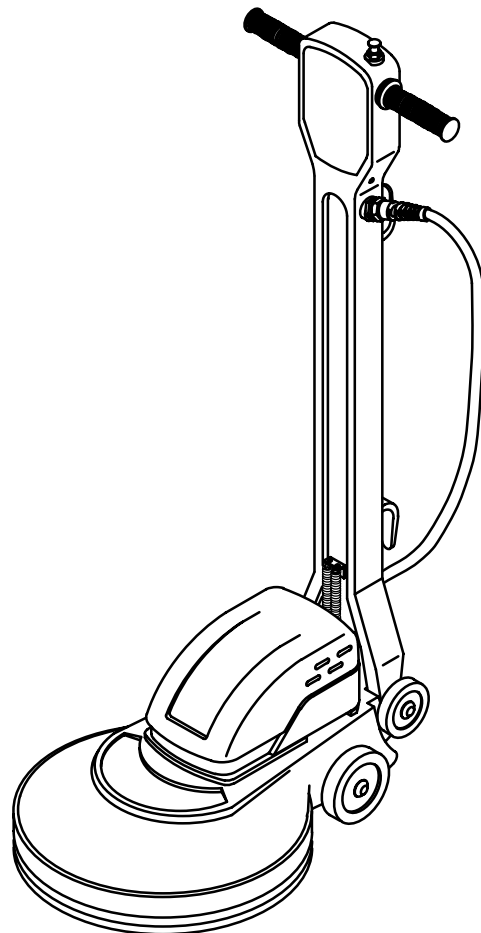
2300/2320/2340

**High Speed Floor Burnisher
Pulidora de Piso de Alta Velocidad**

U.S. PATENT NO.: D.343,932 & D.345,035

Models:
608326 – 2300
608325 – 2320
607879 – 2340
609902 – 2300 SI

**Operator and Parts Manual
Manual del Operador y Piezas**

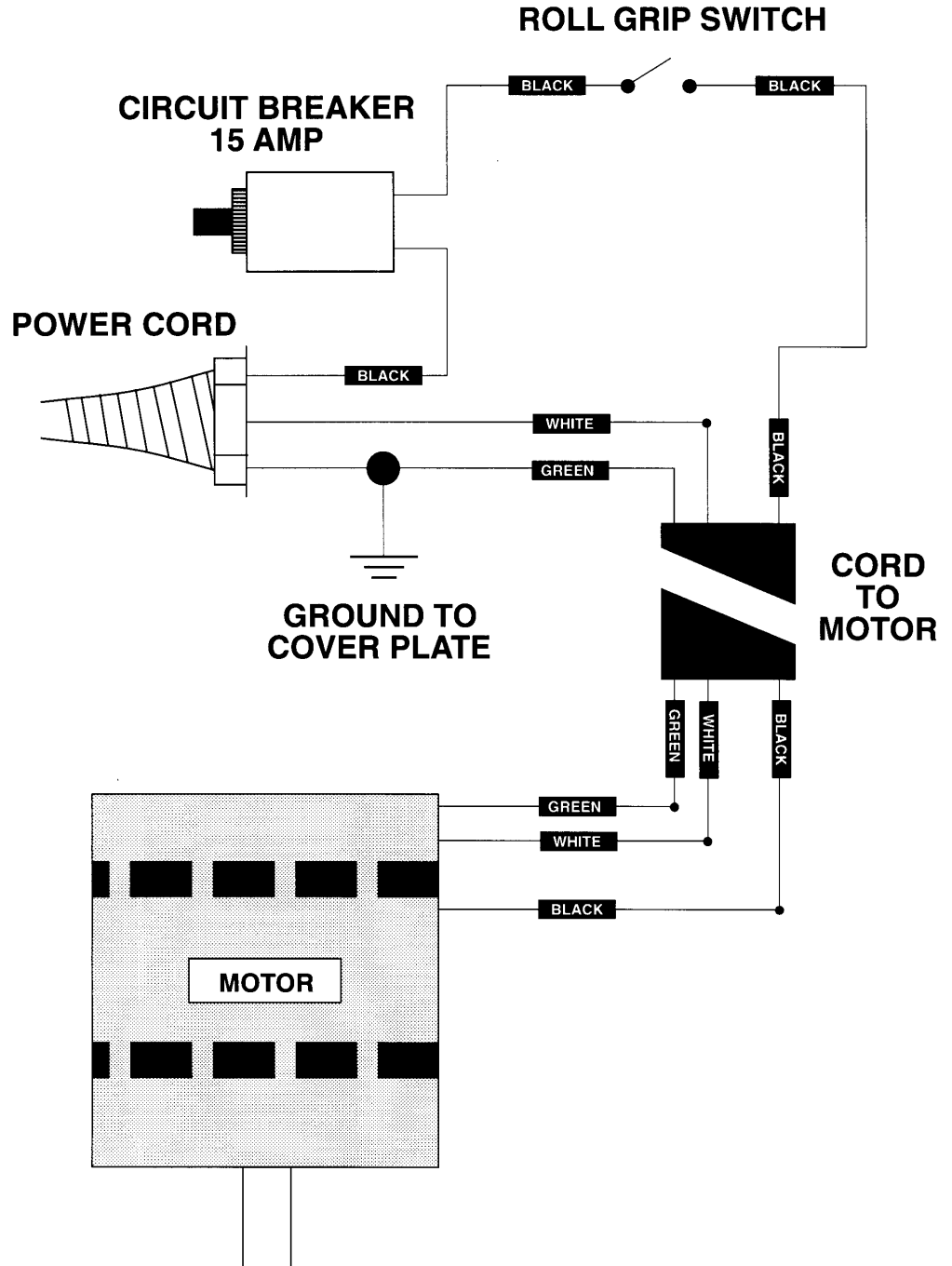


TENNANT COMPANY
Commercial Products
12875 RANSOM STREET
HOLLAND MI 49424

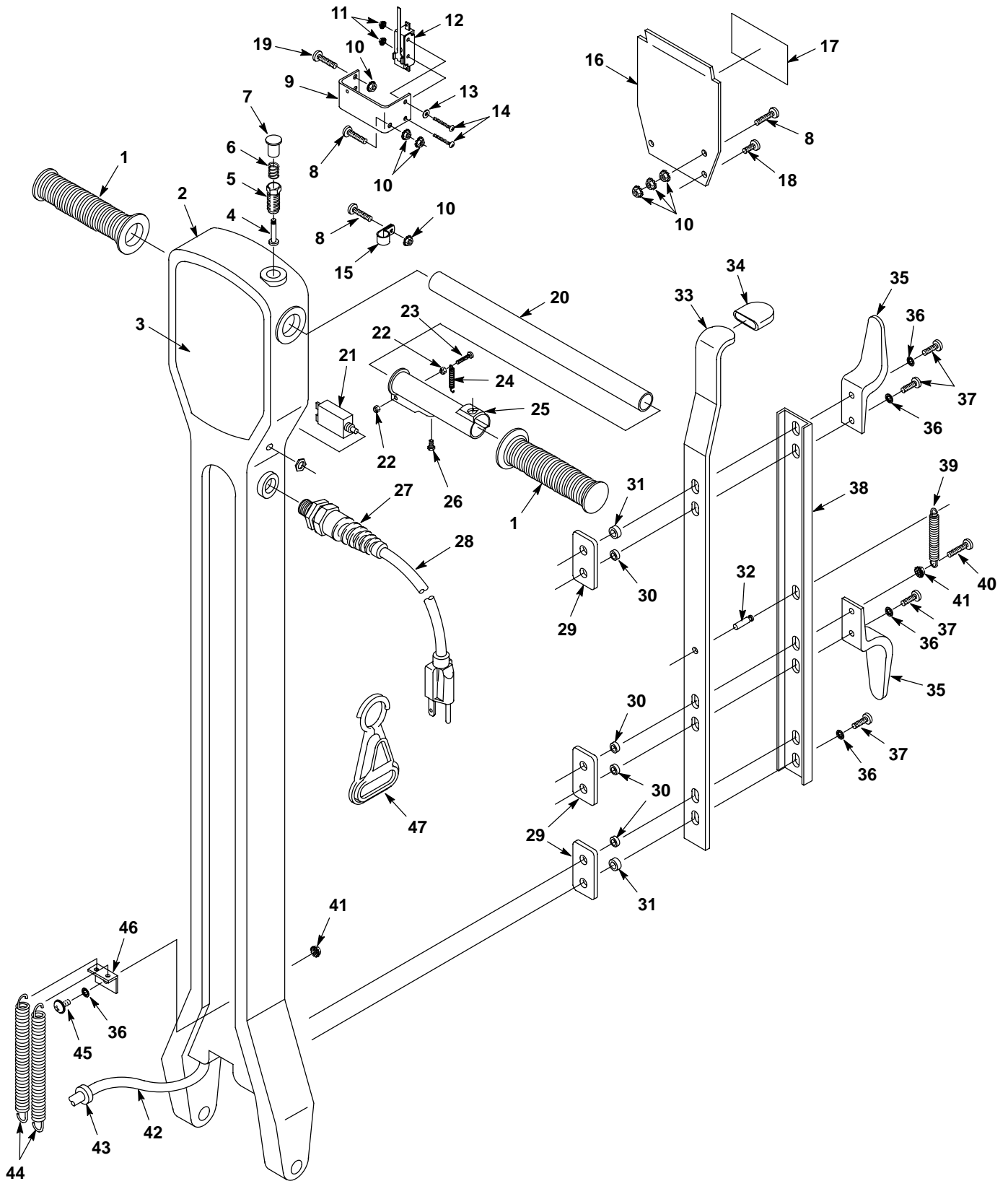
CUSTOMER SERVICE: 1-800-964-9644
OUTSIDE U.S. : 1-616-786-2345
FAX: 1-800-678-4240

607759
Rev. 01 (09-02)

120V



HANDLE GROUP
GRUPO DEL ASA



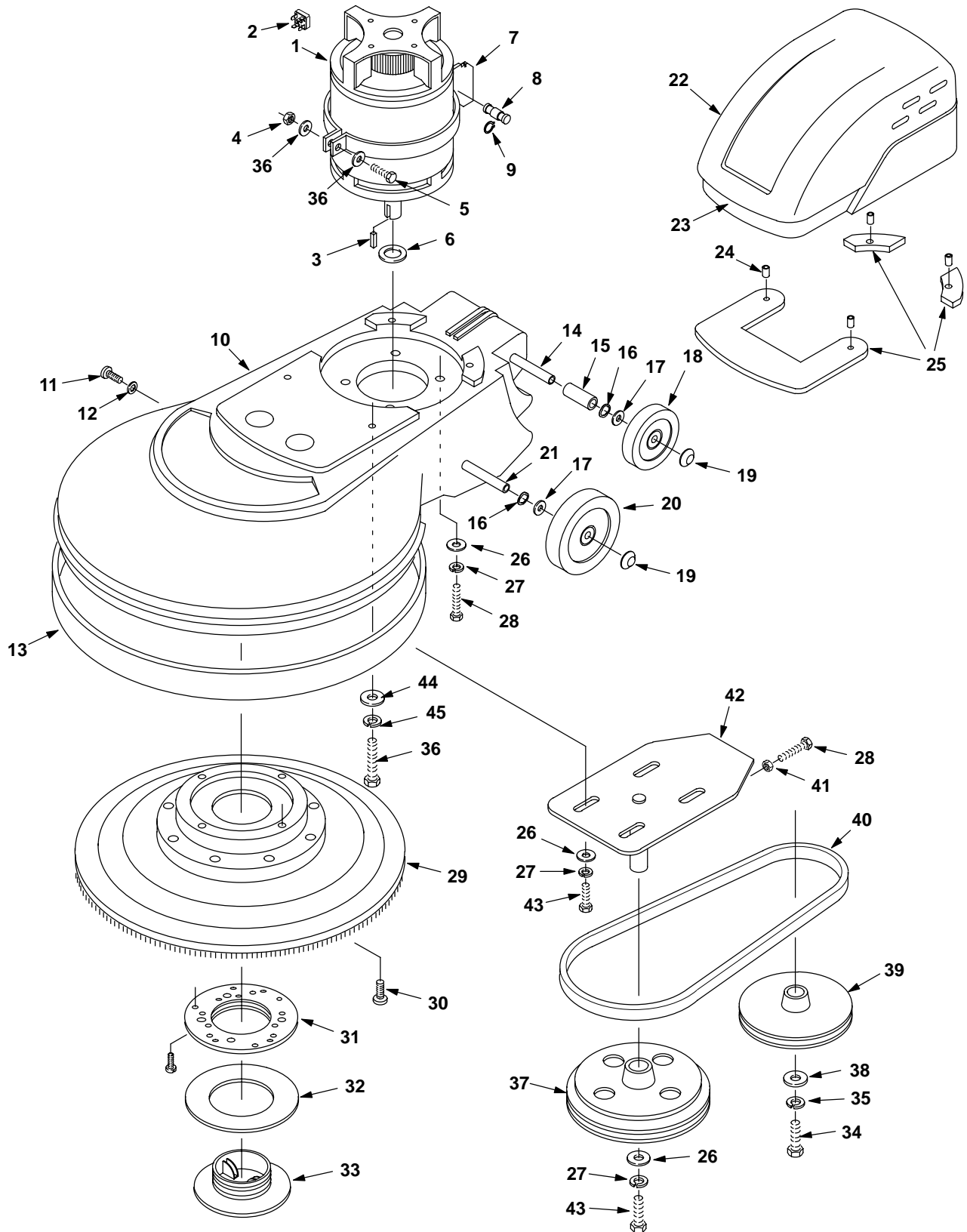
HANDLE GROUP
GRUPO DEL ASA

REF	PART #	DESCRIPTION	QTY.
1	200823	GRIP, HANDLE TUBE	2
2	607637	HANDLE, WHITE	1
3	608115	LABEL, 2300	1
	608116	LABEL, 2320	1
	608117	LABEL, 2340	1
4	230856	PIN, LOCK RELEASE	1
5	230857	SOCKET, LOCK	1
6	140401	SPRING, LOCK BUTTON	1
7	230855	BUTTON, LOCK RELEASE	1
8	140900	SCREW, 10-24X3/4	3
9	230854	BRACKET, SWITCH	1
10	140519	NUT, 10-24	8
11	140539	NUT, 6-32	2
12	605407	●SWITCH	1
13	140032	WASHER, #6 FLAT	1
14	140829	SCREW, 6-32X1	2
15	140324	CLAMP, CABLE 5/16ID BLK NYLON	1
16	612763	PLATE, HANDLE REAR	1
17	613286	LABEL, WARNING	1
18	140197	SCREW, 10-24X3/8 TRSPHL SEM	2
19	140823	SCREW, 10-24X5/8 PHL	2
20	230853	HANDLE, TUBE	1
21	605201	●BREAKER, CIRCUIT 17A (2300/2320)	1
	130752	BREAKER, CIRCUIT 20A (2340)	1
22	28990	NUT, 8-32 NYLOCK	2

REF	PART #	DESCRIPTION	QTY.
23	6010.16	SCREW, 8-32X1	1
24	600987	SPRING	1
25	100355	SLEEVE, LOCKING	1
26	140259	SCREW, 1/4-20X5/8	1
27	602849	GRIP, CORD	1
28	610974	●CORD, 14/3X75' YELLOW	1
29	230852	PLATE, BACKING	3
30	140147	SLEEVE, .44ODX.25BX.21L	4
31	140146	BUSHING, .50ODX.25BX.21L	2
32	140604	PIN, GROOVE 1/4X3/4	1
33	230860	HANDLE, LATCH	1
34	200821	GRIP, LATCH	1
35	602750	HOOK, CORD	2
36	140052	WASHER, 1/4 EXT	6
37	140864	SCREW, 1/4-20X3/4	5
38	230859	CHANNEL, LATCH HANDLE	1
39	140402	SPRING, HANDLE LATCH	1
40	140881	SCREW, 1/4-20X1	1
41	140524	NUT, 1/4-20 KEP	2
42	130204	CORD, 14/3X57" BLACK	1
43	130141	BUSHING, STRAIN-RELIEF	1
44	140437	SPRING	2
45	140864	SCREW, 1/4-20X3/4	1
46	230773	BRACKET, SPRING	1
47	130176	●BELT CLIP, STRAIN-RELIEF (OPTIONAL)	1

● RECOMMENDED STOCK ITEMS / ARTICULOS RECOMENDADOS PARA
MANTENER EN EXISTENCIA

BASE GROUP
GRUPO BASE



BASE GROUP
GRUPO BASE

REF	PART #	DESCRIPTION	QTY.
▽ 1	600825	●MOTOR, 120V (2300/2320)	1
▲ 2	190753	●-RECTIFIER, 120V	1
▲	190752	●-CARBON BRUSH, 120V (2/PK)	2
▽ 1	130498	●MOTOR, 120V (2340)	1
▲ 2	190743	●-RECTIFIER, 120V	1
▲	22117	●-CARBON BRUSH, 120V	4
3	140628	KEY, 3/16X3/16X1	1
4	140546	NUT, 5/16-18	1
5	140221	SCREW, 5/16-18X1-1/4	1
6	230447	SPACER, PULLEY	1
7	230918	PLATE, LATCH	1
8	230772	PIN, PLATE	1
9	140421	RING, RETAINING	1
10	607760	BASE, HIGH SPEED TEAL	1
11	140824	SCREW, 1/4-20X5/8	2
12	140003	WASHER, 1/4	2
13	602544	BUMPER	1
14	608910	AXLE, 1/2DIAx12.915"	1
15	140148	SLEEVE, .625D	2
16	4252	WASHER, 1/2 COMP	4
17	3148.816	WASHER, FLAT 7/8X1/2	4
18	103066	●WHEEL, 4"X1.5 GRAY	2
19	103019	CAP, HUB WHEEL	4
20	103067	●WHEEL, 5"X1.5 GRAY	2
21	608913	AXLE, 1/2DIAx15.73	1
22	607762	COVER, MOTOR TEAL	1
23	120582	LABEL, RECESS	1
24	069760417	SLEEVE (2300)	4

REF	PART #	DESCRIPTION	QTY.
25	600824	GASKET, SPACER SET (2300)	1
26	32492	WASHER, FLAT .38 STD	11
27	140017	WASHER, LOCK SPLIT 0.38	9
28	611048	SCREW, 3/8-16X1-1/4 HXHDCP	5
▽ 29	240240	●ASM., PAD DRIVER	1
▲ 30	140949	SCREW, 5/16-18X1-1/4	4
▲ 31	621326000	RING, CENTERLOCK	1
▲ 32	572084000	WASHER, CENTERLOCK	1
▲ 33	621327000	●CENTERLOCK, PAD	1
34	140223	SCREW, 5/16-18X3/4	2
35	140015	WASHER, LOCK 5/16	2
37	611695	PULLEY, DRIVE	1
36	140209	SCREW, 1/4-20X2-1/2 (2300)	4
	600591	SCREW, 1/4-20X1-7/8 (2320/2340)	4
38	25732	WASHER, 1-1/4X.359	1
39	240075	●PULLEY, 3-1/4" DIA (2300)	1
39	240076	●PULLEY, 4" DIA (2320)	1
39	240077	●PULLEY, 5" DIA (2340)	1
40	240078	●BELT (2300)	1
	240079	●BELT (2320)	1
	240080	●BELT (2340)	1
41	140545	NUT, JAM 3/8-16	1
42	230448	BRACKET, DRIVE CASTING	1
43	02994	SCREW, HEX .38-16X0.75	5
44	140000	WASHER, FLAT 1/4	4
45	140016	WASHER, LOCK 1/4	4

▽ ASSEMBLY / CONJUNTO

▲ INCLUDED IN ASSEMBLY / INCLUIDO EN EL CONJUNTO

● RECOMMENDED STOCK ITEMS / ARTICULOS RECOMENDADOS PARA MANTENER EN EXISTENCIA