

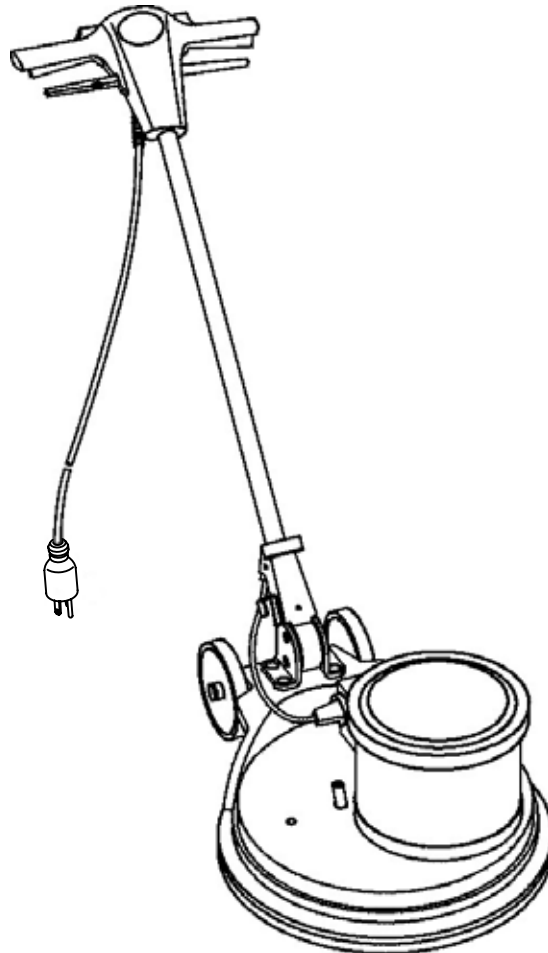
FLOOREQUIPMENTPARTS.COM

2260/2270

**Dual Speed Floor Machine
Máquina de fregar**

Model No.:
1001055 - 2260 (120V/60Hz)
1001056 - 2270 (120V/60Hz)

**Operator and Parts Manual
Manual del Operador y Piezas**



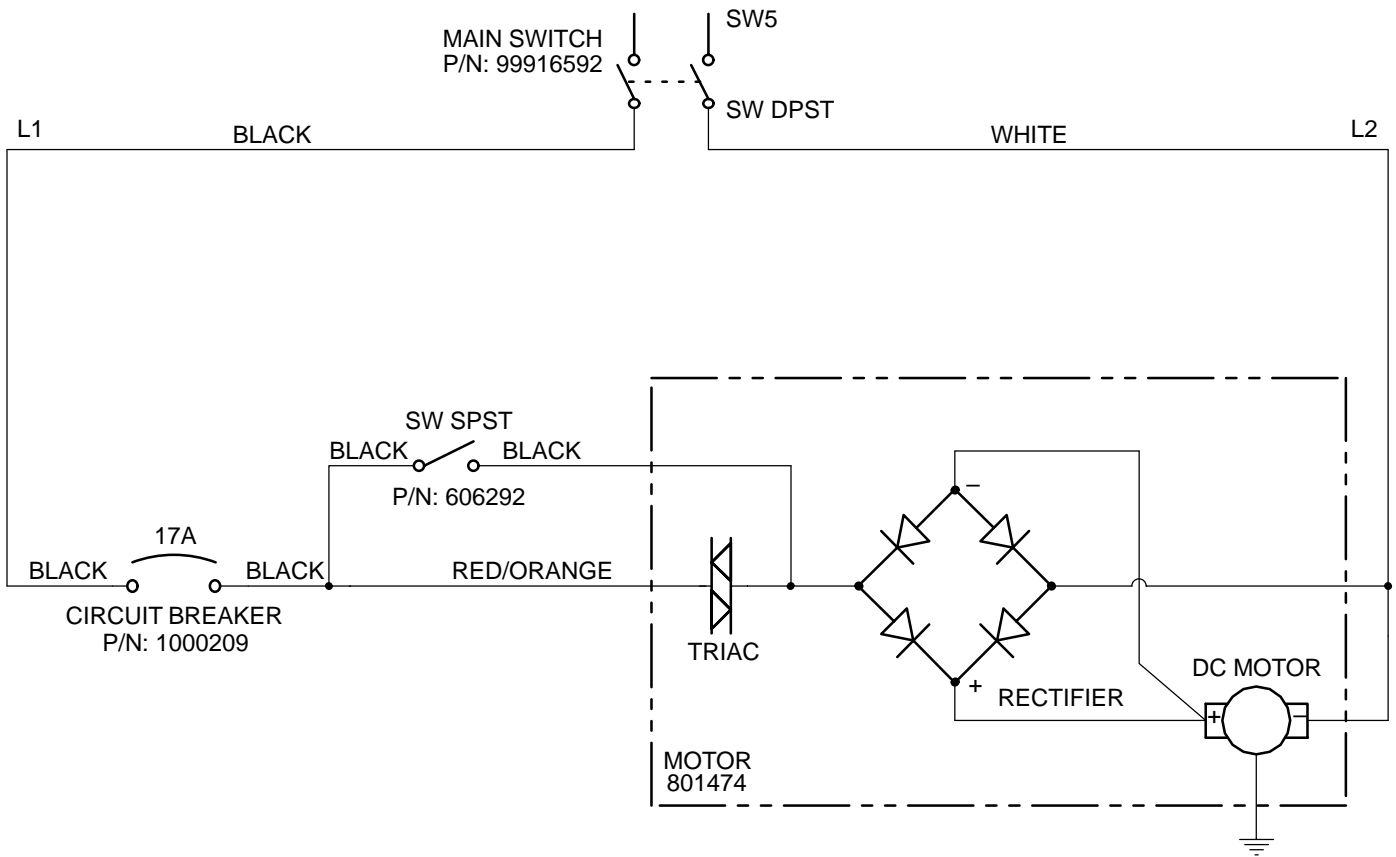
TENNANT COMPANY
Commercial Products
12875 RANSOM STREET
HOLLAND MI 49424 U.S.A.

FAX: 1-800-678-4240
1-616-786-2345
CUSTOMER SERVICE: 1-800-982-7658
1-616-786-2330

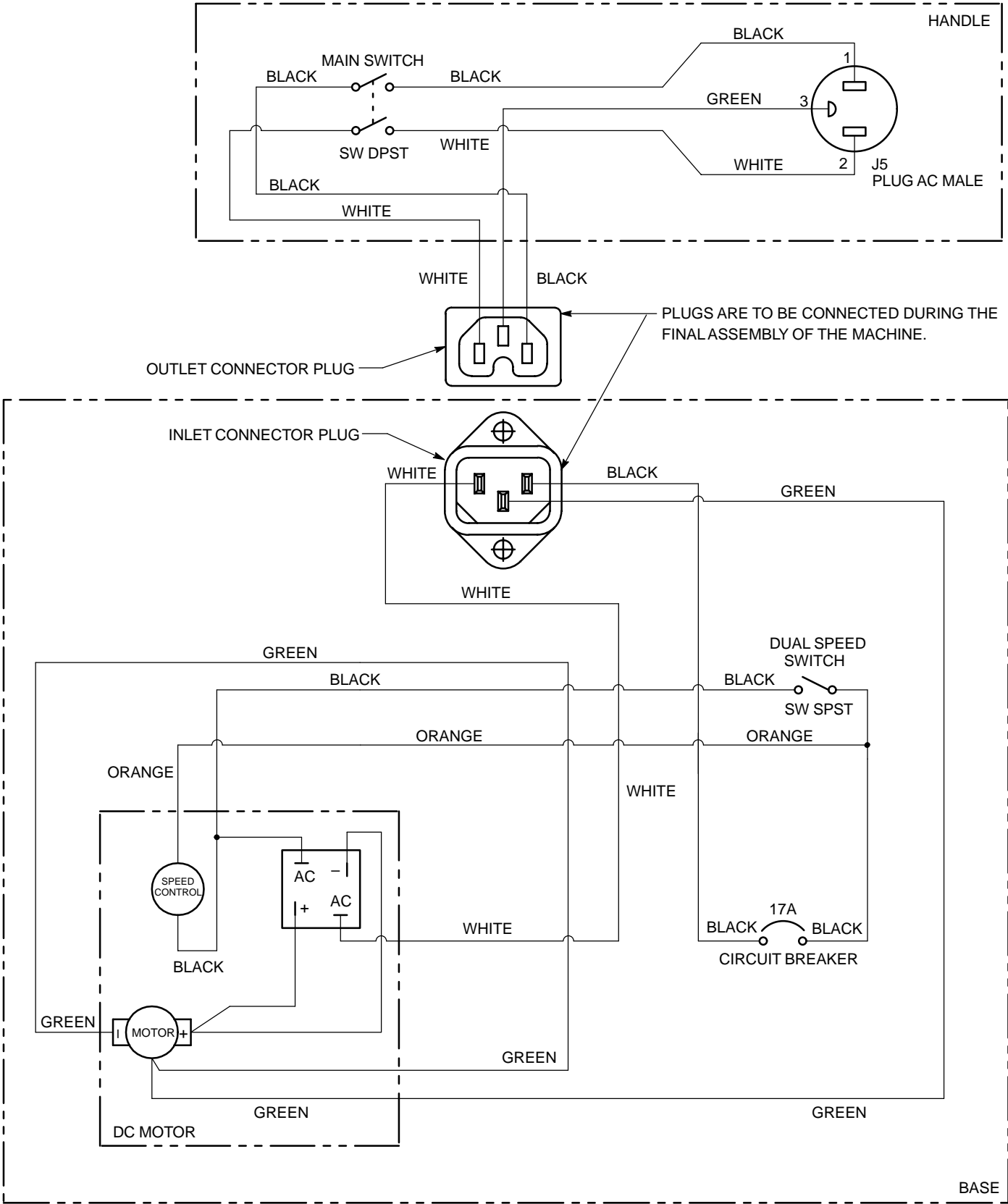
801477
Rev. 01 (10-02)

ELECTRICAL DIAGRAMS DIAGRAMAS ELECTRICAS

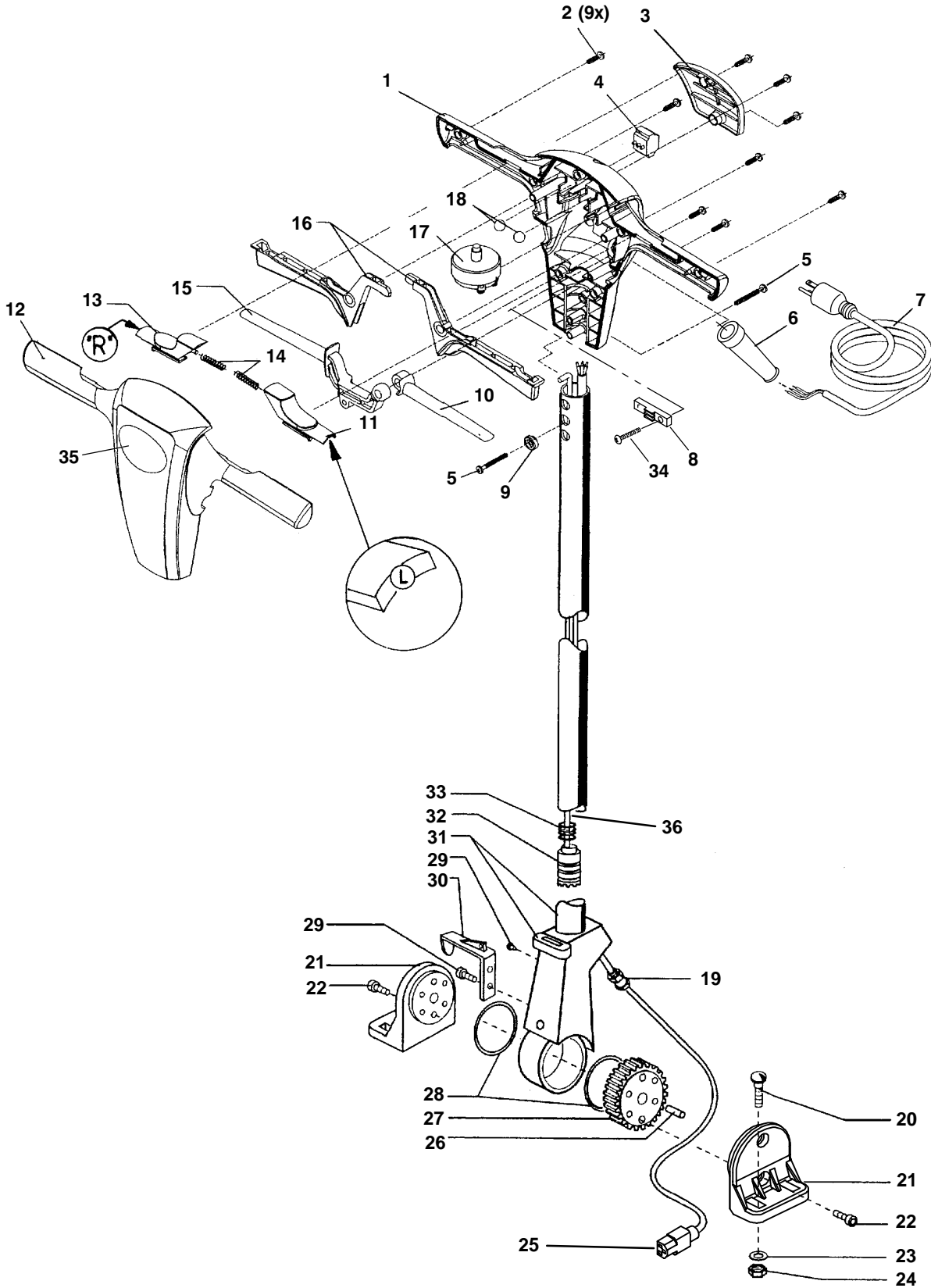
120V LADDER DIAGRAM DIAGRAMA ESCALONADO



120V WIRING DIAGRAM
DIAGRAMA DE CABLEADO



2260/2270 HANDLE GROUP
GRUPO DEL ASA



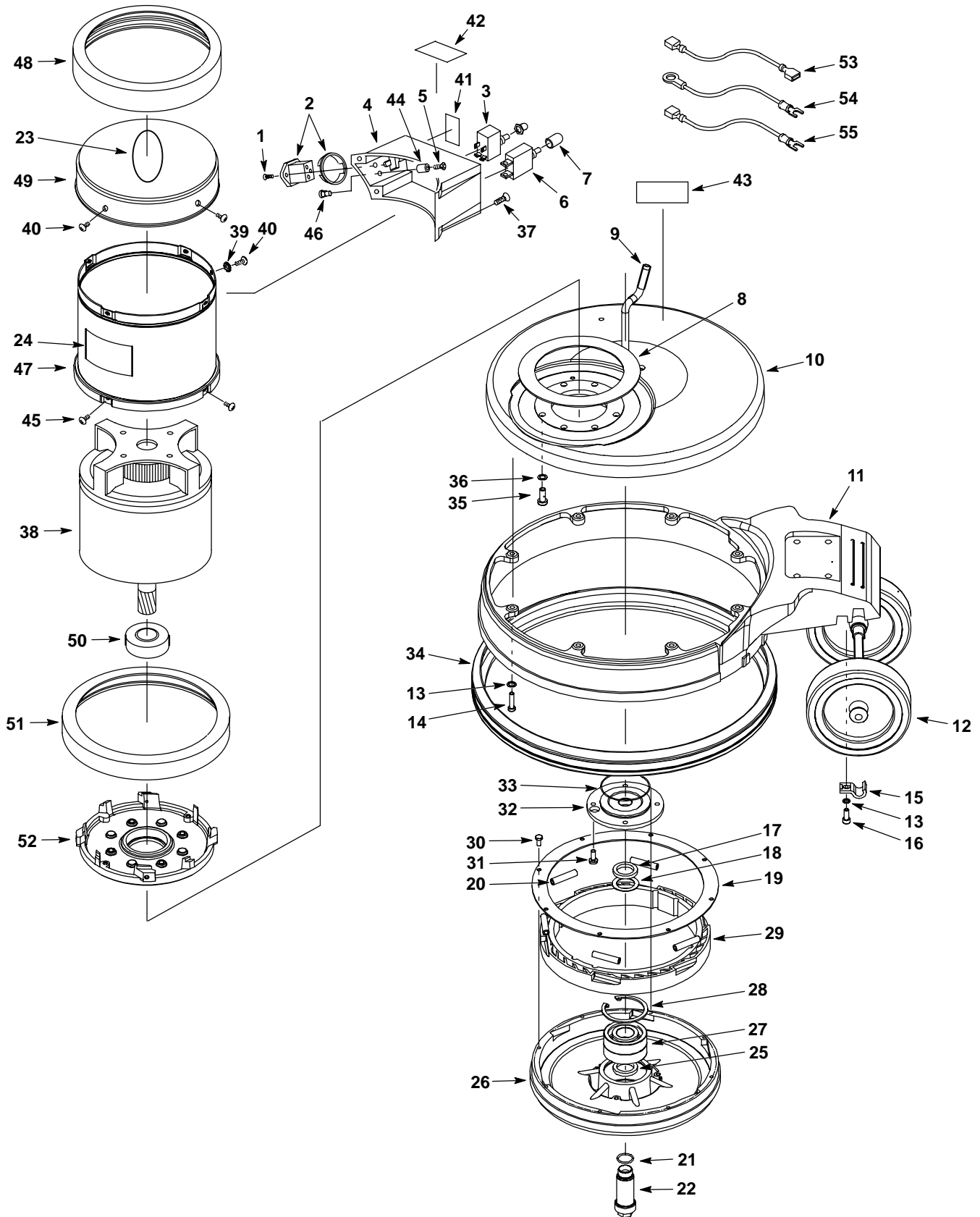
2260/2270 HANDLE GROUP
GRUPO DEL ASA

REF	PART #	DESCRIPTION	QTY
	801454	ASSEMBLY, HANDLE	1
1	613267	●HOUSING	1
2	801274	●SCREW	9
3	801003	COVER	1
4	801052	BINDING POST	1
5	801247	SCREW	2
6	801448	●GRIP, CORD	1
7	801359	CABLE	1
8	99916617	BINDING POST	1
9	99916544	INSERT	1
10	801009	●LEVER	1
11	801005	●SLIDE "L"	1
12	613264	●HOUSING	1
13	801004	●SLIDE "R"	1
14	801013	●SPRING	2
15	612521	●LEVER	1
16	801006	●LEVER	2
17	99916592	●SWITCH	1
18	801035	●BALL	2
19	99942168	GRIP, CORD	1

REF	PART #	DESCRIPTION	QTY.
20	99918245	●SCREW	4
21	613336	HOLDER	2
22	99915121	SCREW	4
23	99915678	●WASHER	4
24	99915680	●NUT	4
25	801353	●CABLE	1
26	99918243	PIN	2
27	99918238	●GEARWHEEL	1
28	99923586	●RING	2
29	99946554	SCREW	3
30	99915686	●HOOK	1
31	801143	●TUBE	1
32	801259	PLUNGER	1
33	99915228	●SPRING	1
34	801449	SCREW	2
35	99918249	LABEL, "TENNANT"	1
36	801038	PLUNGER	1
N/S	99918465	WIRE, BLUE	1
N/S	99921332	WIRE, BROWN	1

● RECOMMENDED STOCK ITEMS

2260 BASE GROUP
GRUPO BASE



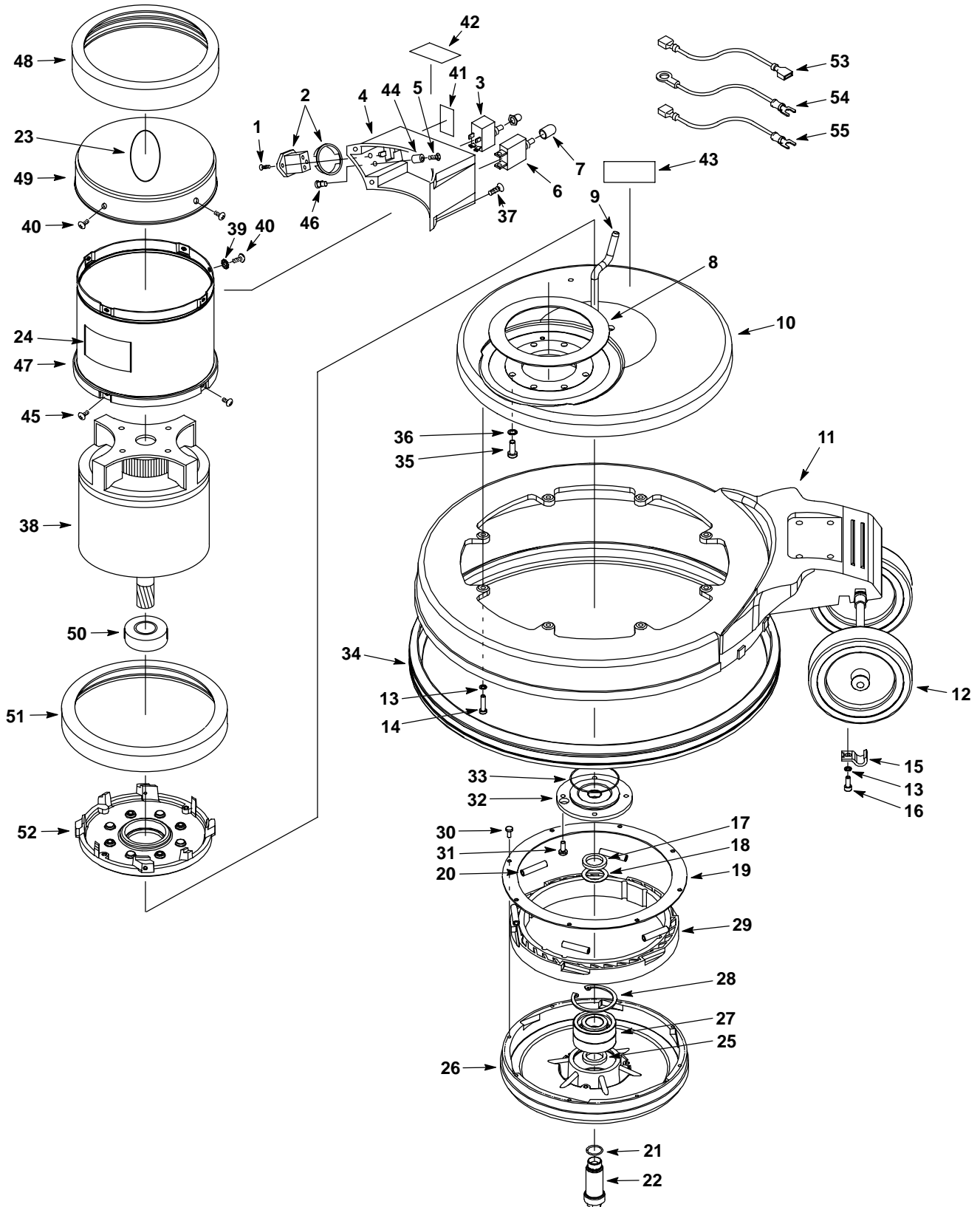
2260 BASE GROUP
GRUPO BASE

REF	PART #	DESCRIPTION	QTY.
1	99927026	SCREW	2
2	99926012	●PLUG	1
3	606292	●SWITCH, 20A, 120V	1
4	801471	●HOUSING, CAPACITOR	1
5	99916079	SCREW	2
6	1000209	●CIRCUIT BREAKER, 17A	1
7	130761	CAP, WATER PROTECTION	1
8	801058	SEAL	1
9	801144	TUBE	1
10	801180	HOUSING	1
11	801466	FRAME	1
12	801059	●WHEEL SET W/ AXLE	1
13	99915640	WASHER, LOCK	9
14	99915199	SCREW	8
15	801138	CLIP	1
16	99922895	SCREW	1
17	801072	RING	1
18	99922381	WASHER, COMPENSATING	1
19	801135	RING	1
20	99916466	SPRING, COMPRESSION	6
21	613072	O-RING	1
22	613071	SHAFT	1
23	608136	LABEL, "TENNANT"	1
24	1000728	LABEL, "2260"	1
25	99916088	●SEAL, SHAFT	1
26	801339	PAD HOLDER	1
27	801311	●BEARING, BALL, DEEP GROOVE	2
28	99916470	RING, RETAINING	1
29	801032	COLLAR	1
30	99946554	SCREW	8

REF	PART #	DESCRIPTION	QTY.
31	801120	SCREW	4
32	801066	FLANGE	1
33	801131	RING	1
34	801164	●BUMPER PROTECTION DEVICE	1
35	99931652	SCREW	4
36	99915678	WASHER, LOCK	4
37	99928655	SCREW	4
38	801474	●MOTOR, 1.5 HP, 1800/3200RPM, 120V	1
	22117	●CARBON BRUSH, REPLACEMENT	4
39	99915166	WASHER, LOCK	1
40	99947444	SCREW	5
41	120675	LABEL, DUAL SPEED	1
42	602597	LABEL, WARNING	1
43	613286	LABEL, WARNING	
44	99923370	SPACER	2
45	99923224	SCREW	4
46	99918446	CAP	2
47	801465	SHROUD, MOTOR	1
48	99918814	●BUMPER, MOTOR	1
49	801464	COVER, TOP, MOTOR	1
50	801089	BEARING	1
51	99916030	●BUMPER, MOTOR	
52	801463	SHIELD, END, MOTOR	1
53	801481	WIRE, BLACK (CIR. BREAKER TO SWITCH)	1
54	801482	WIRE, GREEN (PLUG TO MOTOR HSG)	1
55	801483	WIRE, BLACK (PLUG TO CIR. BREAKER)	1

● RECOMMENDED STOCK ITEMS

2270 BASE GROUP
GRUPO BASE



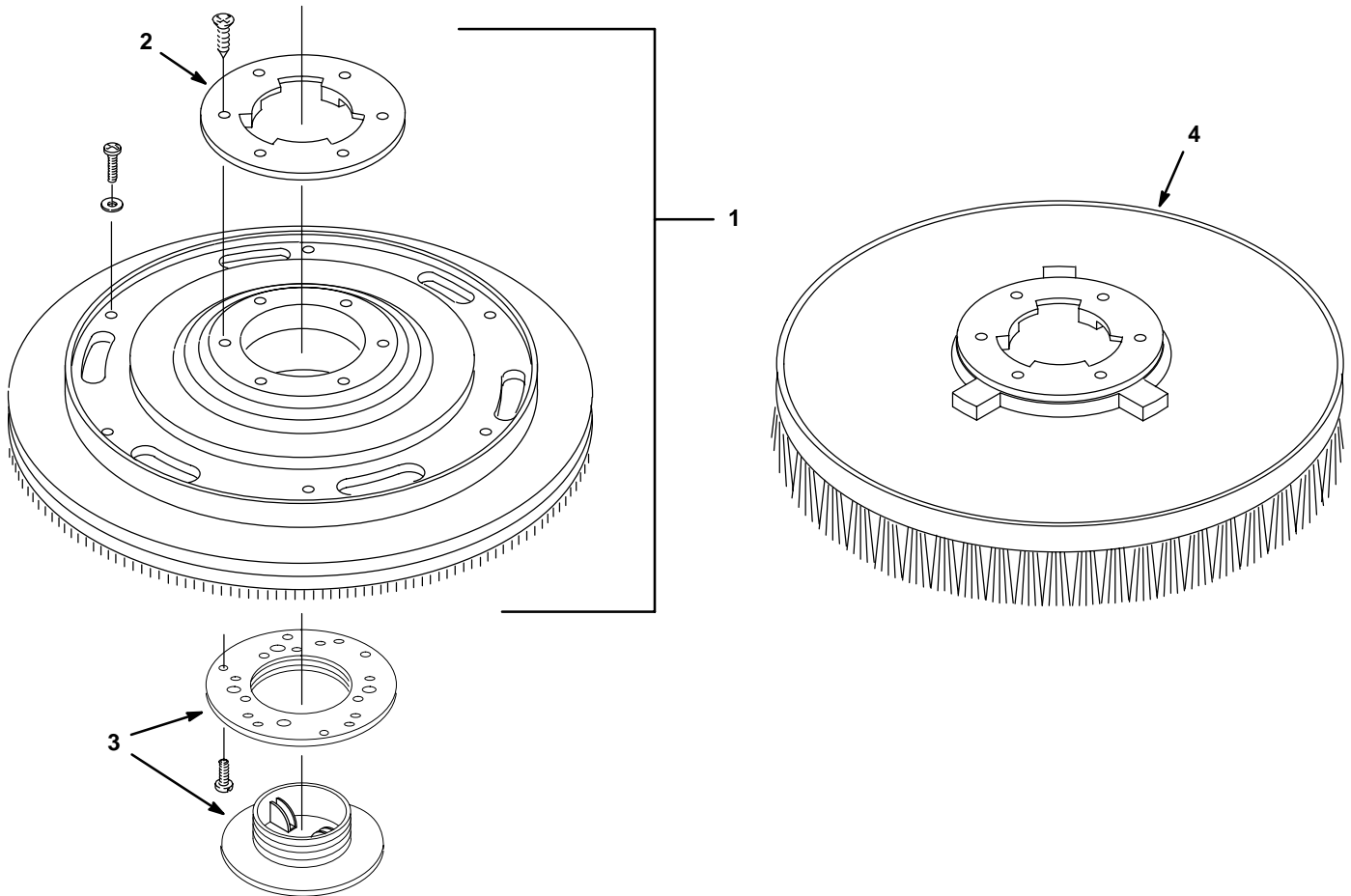
2270 BASE GROUP
GRUPO BASE

REF	PART #	DESCRIPTION	QTY.
1	99927026	SCREW	2
2	99926012	●PLUG	1
3	606292	●SWITCH, 20A, 120V	1
4	801471	●HOUSING, CAPACITOR	1
5	99916079	SCREW	2
6	1000209	●CIRCUIT BREAKER, 17A	1
7	130761	CAP, WATER PROTECTION	1
8	801058	SEAL	1
9	801144	TUBE	1
10	801180	HOUSING	1
11	801462	FRAME	1
12	801059	●WHEEL SET W/ AXLE	1
13	99915640	WASHER, LOCK	9
14	99915199	SCREW	8
15	801138	CLIP	1
16	99922895	SCREW	1
17	801072	RING	1
18	99922381	WASHER, COMPENSATING	1
19	801135	RING	1
20	99916466	SPRING, COMPRESSION	6
21	613072	O-RING	1
22	613071	SHAFT	1
23	608136	LABEL, "TENNANT"	1
24	1000729	LABEL, "2270"	1
25	99916088	●SEAL, SHAFT	1
26	801339	PAD HOLDER	1
27	801311	●BEARING, BALL, DEEP GROOVE	2
28	99916470	RING, RETAINING	1
29	801032	COLLAR	1

● RECOMMENDED STOCK ITEMS

REF	PART #	DESCRIPTION	QTY.
30	99946554	SCREW	8
31	801120	SCREW	4
32	801066	FLANGE	1
33	801131	RING	1
34	801145	●BUMPER PROTECTION DEVICE	1
35	99931652	SCREW	4
36	99915678	WASHER, LOCK	4
37	99928655	SCREW	4
38	801474	●MOTOR, 1.5 HP, 1800/3200RPM, 120V	1
	22117	●CARBON BRUSH, REPLACEMENT	4
39	99915166	WASHER, LOCK	1
40	99947444	SCREW	5
41	120675	LABEL, DUAL SPEED	1
42	602597	LABEL, WARNING	1
43	613286	LABEL, WARNING	1
44	99923370	SPACER	2
45	99923224	SCREW	4
46	99918446	CAP	2
47	801465	SHROUD, MOTOR	1
48	99918814	●BUMPER, MOTOR	1
49	801464	COVER, TOP, MOTOR	1
50	801089	BEARING	1
51	99916030	●BUMPER, MOTOR	
52	801463	SHIELD, END, MOTOR	1
53	801481	WIRE, BLACK (CIR. BREAKER TO SWITCH)	1
54	801482	WIRE, GREEN (PLUG TO MOTOR HSG)	1
55	801483	WIRE, BLACK (PLUG TO CIR. BREAKER)	1

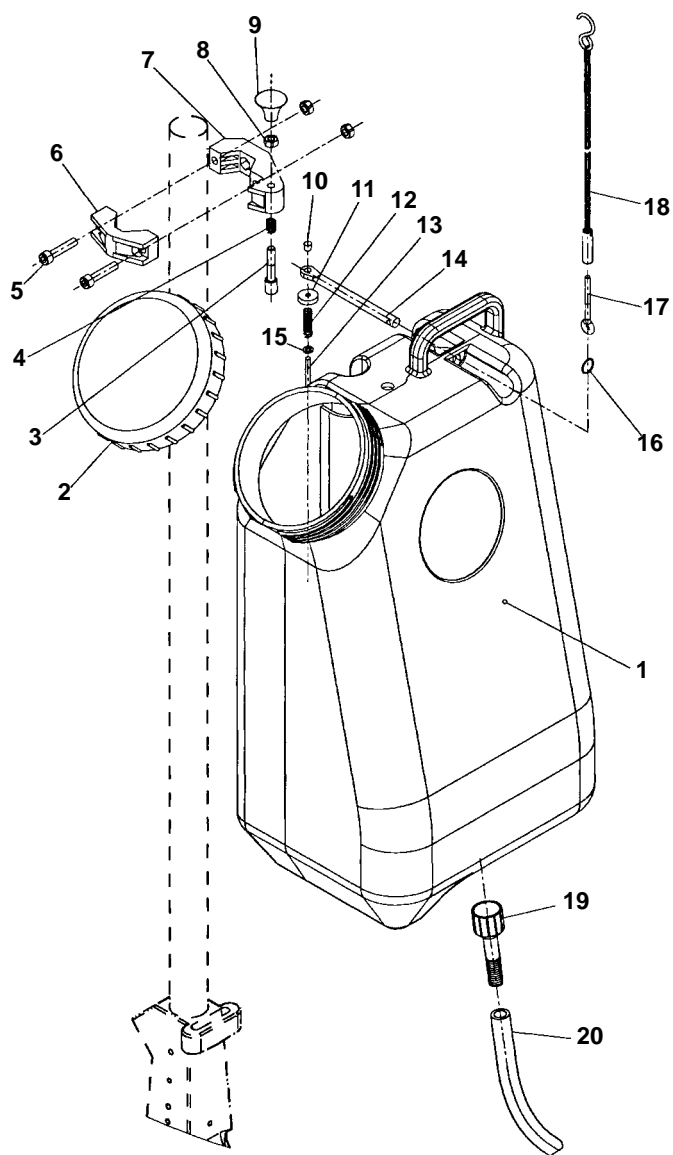
**REPLACEMENT BRUSHES AND PAD DRIVER GROUP
CEPILLO DEL REEMPLAZO Y GRUPO DEL MANDO DE LA ALMOHADILLA**



REF	PART #	DESCRIPTION	QTY
▽ 1	603537	ASM., PAD DRIVER 432MM (17") 2260	1
	605255	ASM., PAD DRIVER 508MM (20") 2270	1
▽ 1	600255	BLOCK, WOOD SANDING 432MM (17") 2260	1
	600256	BLOCK, WOOD SANDING 508MM (20") 2270	1
▲ 2	4184	PLATE, CLUTCH, METAL	1
	603539	PLATE, CLUTCH, PLASTIC	1
3	603538	●LOCK, CENTER (OPTIONAL)	1

REF	PART #	DESCRIPTION	QTY
4	240255	BRUSH, DYNA-SCRUB 432MM (17") 2260	1
	240257	BRUSH, DYNA-SCRUB 508MM (20") 2270	1
4	240256	BRUSH, STRATA-GRIT 432MM (17") 2260	1
	240258	BRUSH, STRATA-GRIT 508MM (20") 2270	1
4	605117	BRUSH, ROTARY SHOWERFEED 432MM (17") 2260	1
	605118	BRUSH, ROTARY SHOWERFEED 508MM (20") 2270	1

**SOLUTION TANK GROUP
GRUPE DEL DEPÓSITO DE DISOLUCIÓN**



REF	PART #	DESCRIPTION	QTY
▽	801167	KIT, SOLUTION TANK	1
▲▽	1	800480 SOLUTION TANK W/ COVER	1
▲▲	2	99927951 COVER	1
▲	3	99924958 BOLT	1
▲	4	99924954 SPRING, COMPRESSION	1
▲	5	99921206 SCREW, SHCS	2
▲	6	99924308 COUNTER CLIP	1
▲	7	99927957 HOLDER, UPPER	1
▲	8	99915638 NUT	3
▲	9	99924964 KNOB	1
▲	10	99927956 END CAP	1

REF	PART #	DESCRIPTION	QTY
▲	11	99924464 NUT, KNURLED	1
▲	12	99927945 SPRING, COMPRESSION	1
▲	13	99924790 ROD	1
▲	14	99924972 ROD	1
▲	15	99920060 WASHER	1
▲	16	800320 RING	1
▲	17	99927962 HOOK	1
▲	18	801239 ASSEMBLY, CHAIN	1
▲	19	99941446 FITTING	1
▲	20	801166 HOSE	1

▽ ASSEMBLY

▲ INCLUDED IN ASSEMBLY