

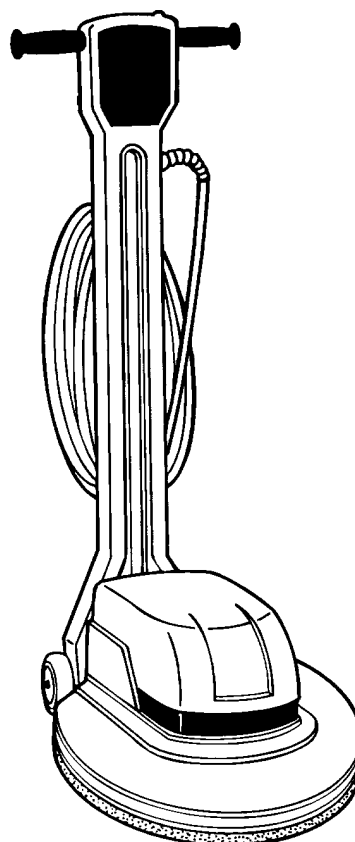
# 2000/2010/2030 2040/2160/2170

Floor Machine  
Máquina de Pisos

**Model No.:**

- 609671 - 2000 (120V/60HZ)
- 609622 - 2010 (120V/60HZ)
- 609784 - 2010 (240V/50HZ)
- 609621 - 2010 (220V/60HZ)
- 609672 - 2030 (120V/60HZ)
- 609624 - 2040 (120V/60HZ)
- 609786 - 2040 (240V/50HZ)
- 609664 - 2040 (220V/60HZ)
- 607642 - 2160 (120V)
- 607643 - 2170 (120V)
- 609665 - 2170 (230V)

**Operator and Parts Manual  
Manual de Operación y de Piezas**

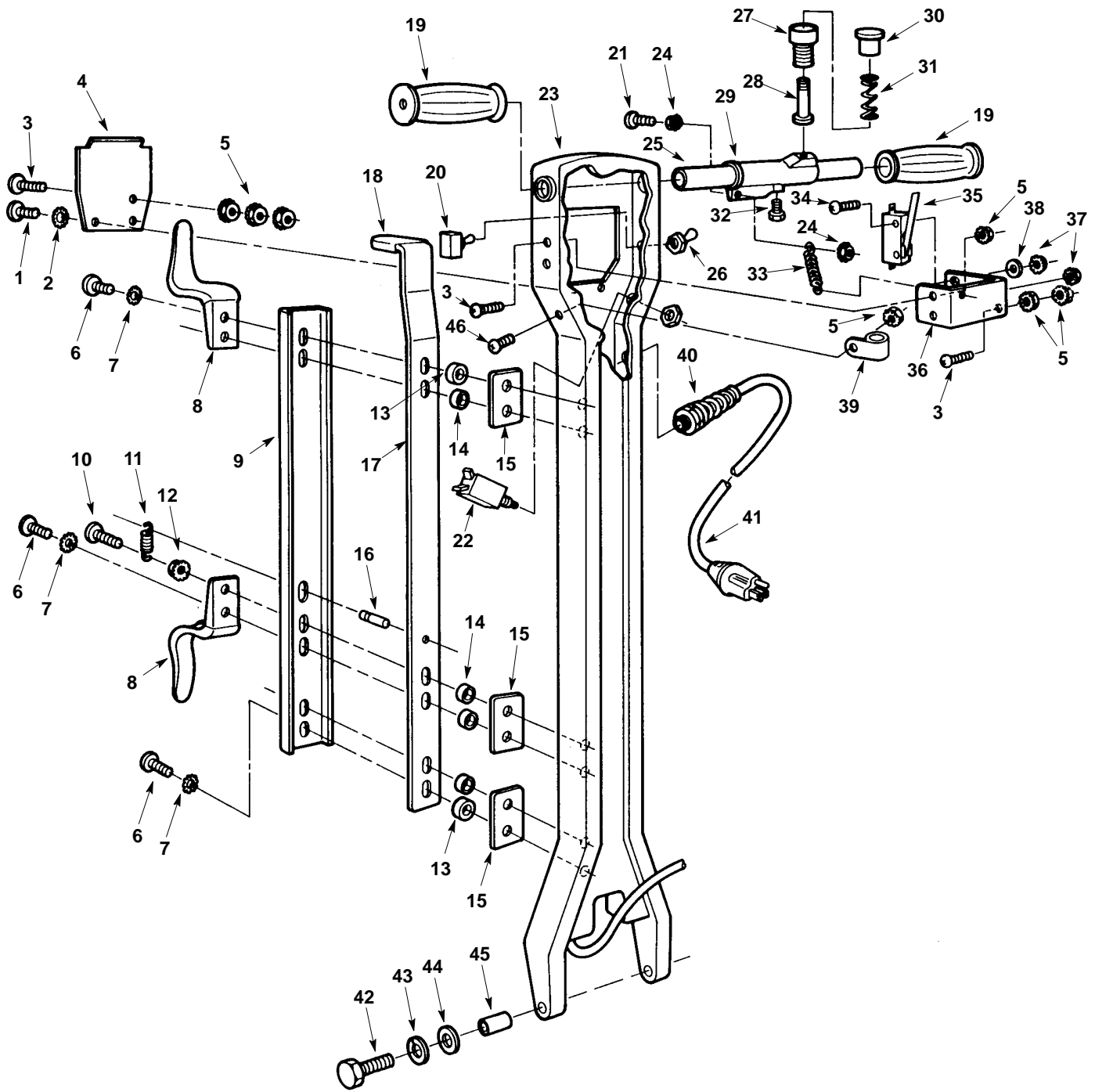


**TENNANT COMPANY**  
Commercial Products  
12875 RANSOM STREET  
HOLLAND MI 49424

FAX: 1-800-678-4240  
CUSTOMER SERVICE: 1-800-982-7658  
OUTSIDE U.S. : 1-616-786-2330

**607644  
Rev. 02 (06-00)**

UPPER UNIT  
PIEZAS DE SUPERIOR

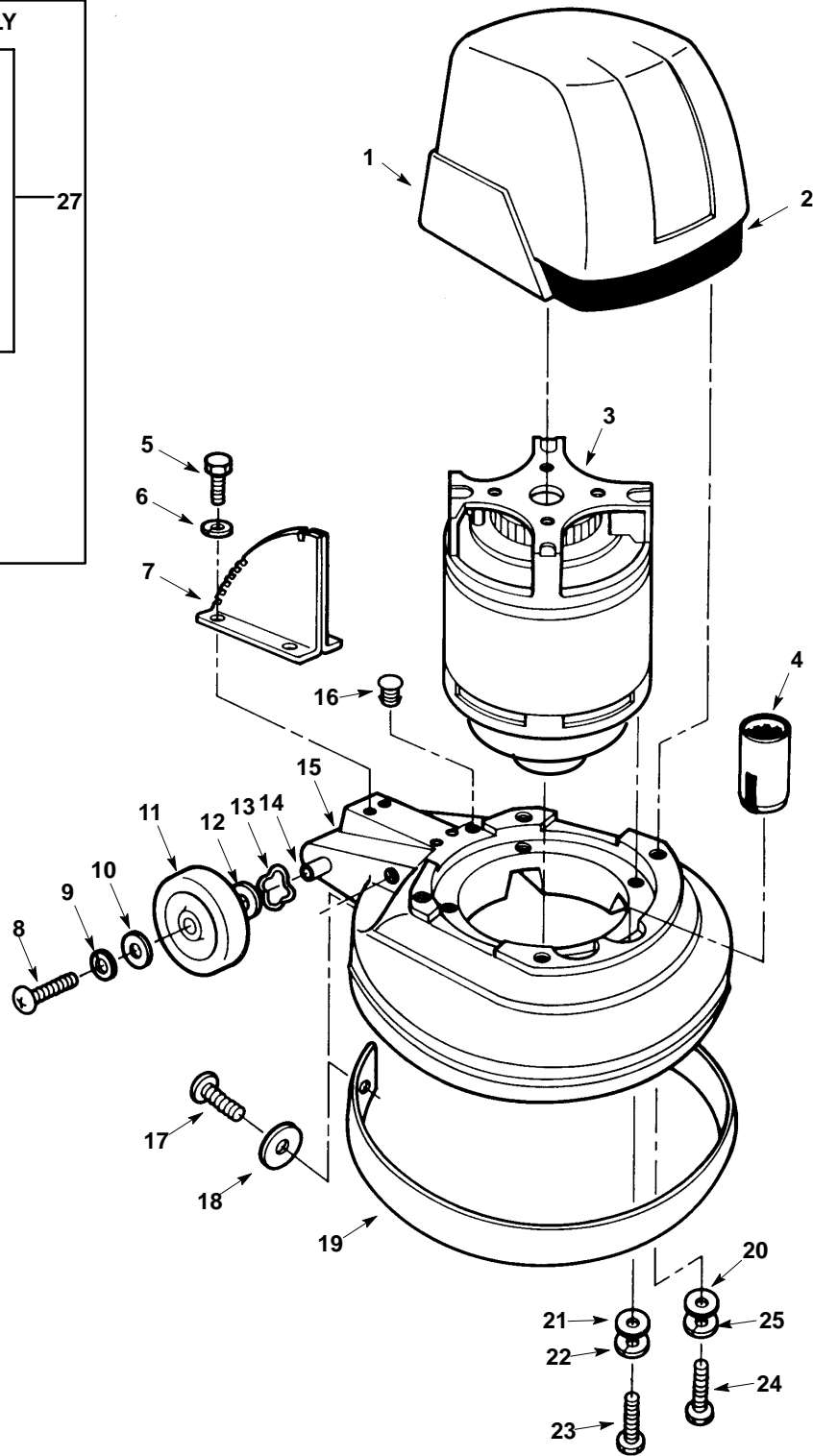
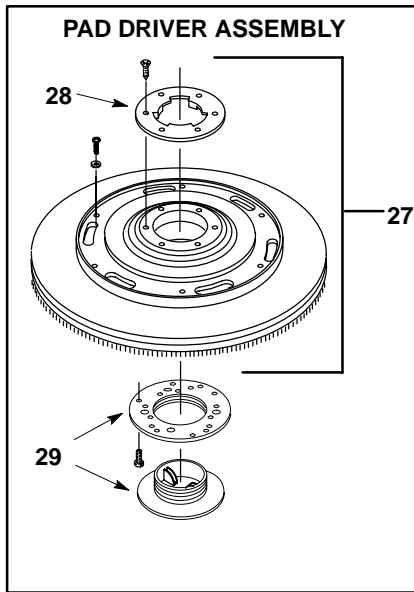


**UPPER UNIT  
PIEZAS DE SUPERIOR**

REF	PART #	DESCRIPTION	QTY.
1.	140831	SCREW, 10-24x.375	2
2.	140018	WASHER, 10-24x.5	2
3.	140823	SCREW, 10-24x.625	1
4.	230013.NLG	COVER, HANDLE	1
5.	140519	NUT, 10-24	8
6.	140864	SCREW, 1/4-20x.75	5
7.	140052	WASHER, LOCK .25	5
8.	230427	HOOK, CORD	2
9.	230859	CHANNEL, LATCH	1
10.	140881	SCREW, 1/4-20x1	1
11.	140402	SPRING, LATCH	1
12.	140524	NUT, 1/4-20	1
13.	140146	BUSHING, .5 OD	2
14.	140147	BUSHING, .44 OD	4
15.	230852	PLATE, BACKING	3
16.	140604	PIN, .25x.75	1
17.	230860	HANDLE, LATCH	1
18.	200821	GRIP, .25x1x2.25	1
19.	200823	GRIP, HANDLE	2
20.	130726	SWITCH, DUAL SPEED	1
21.	6010.16	SCREW, 8-32X1	1
22.	20361	BREAKER, 15 AMP 120V	1
23.	607692	HANDLE, DS, OFF-WHITE (2160/2170)	1
	607637	HANDLE, OFF-WHITE (2010/2040)	1
24.	28990	NUT, LOCK 8-32	2
25.	230853	TUBE, HANDLE	1
26.	130990	BOOT, SWITCH	1
	130681	PLATE, SWITCH	1
27.	230857	SOCKET, LOCK	1

REF	PART #	DESCRIPTION	QTY.
28.	230856	PIN, LOCK	1
29.	100355	SLEEVE, LOCK	1
30.	230855	BUTTON, LOCK	1
31.	140401	SPRING, LOCK	1
32.	140554	SCREW, 1/4-20x.75	1
33.	600987	SPRING	1
34.	140829	SCREW, 6-32x1	2
35.	28657	SWITCH	2
36.	230854	BRACKET, SWITCH	1
37.	140539	NUT, 6-32	2
38.	140032	WASHER, FLAT	1
39.	140328	CLAMP, .375	1
40.	130167	GRIP, CORD	1
41.	602747	CORD, 14/3X50' 120V	1
	600324	CORD, 3x1.5MMx15M 220V/240V	1
42.	140235	SCREW, .5-13x2	2
43.	140024	WASHER, LOCK .5	2
44.	3148.816	WASHER, FLAT	2
45.	140148	BUSHING	2
46.	140900	SCREW, 10-24X.75	1
Decals (Not Shown)			
N/S	120675	DECAL, OPERATION (2160/2170)	1
N/S	120619	DECAL, WARNING	1
N/S	608121	DECAL "TENNANT 2000"	1
N/S	609058	DECAL, "TENNANT 2010"	1
N/S	609059	DECAL "TENNANT 2030"	1
N/S	608123	DECAL, "TENNANT 2040"	1
N/S	609148	DECAL, "TENNANT 2160"	1
N/S	609149	DECAL "TENNANT 2170"	1

LOWER UNIT  
PIEZAS DE INFERIOR



**LOWER UNIT  
PIEZAS DE INFERIOR**

REF	PART #	DESCRIPTION	QTY.
1.	607698	COVER, MOTOR, TEAL	1
2.	120582	DECAL, RECESS	1
∇3.	130497	MOTOR, 120V (2000/2030)	
▲	130465	COUPLING, MOTOR SHAFT (not shown)	1
▲	25516	GEAR BOX	1
▲	25546	PINION KIT	1
∇3.	130451	MOTOR, 120V (2010/2040)	1
▲	130465	COUPLING, MOTOR SHAFT (not shown)	1
▲	25516	GEAR BOX	1
▲	25546	PINION KIT	1
∇3.	130494	MOTOR, 120V (2160/2170)	1
▲	190742	BRUSH CARD ASM.	1
▲	22117	CARBON BRUSH	4
▲	190753	RECTIFIER	1
▲	190744	CONTROL, SPEED 120V	1
▲	515021	HOLDER	1
∇3.	600807	MOTOR, 230V/50HZ, 1.5HP (2010/2040)	1
∇3.	600808	MOTOR, 240V/60HZ, 1.5HP (2010/2040)	1
▲4.	130762	CAPACITOR 120V	1
	100058	TAPE, CAPACITOR	.17ft
	25519	CAPACITOR, RUN (SILVER) 2010/2040	1
	25518	CAPACITOR, START (BLACK) 2010/2040	1
5.	140226	SCREW, 5/16-18x.625	4
6.	140015	WASHER, LOCK	4
7.	230858	PLATE, LATCH	1
8.	140553	SCREW, 1/4-20x.5	2
9.	140016	WASHER, LOCK .25	2
10.	140003	WASHER, FENDER	2
11.	103064	WHEEL	2
12.	3148.816	WASHER, FLAT	4
13.	4252	WASHER, COMP.	4

REF	PART #	DESCRIPTION	QTY.
14.	230851	AXLE	1
15.	607641	BASE, TEAL (2010/2160)	1
	607633	BASE, TEAL (2040/2170)	1
16.	130198	PLUG	1
17.	140824	SCREW, 1/4-20x.625	2
18.	140003	WASHER, FENDER	2
19.	602545	BUMPER 2040/2170	1
	602543	BUMPER 2010/2160	1
20.	140046	WASHER, DS	4
21.	140003	WASHER, FENDER	4
	140027	WASHER, FLAT (2160/2170)	4
22.	140016	WASHER, LOCK	4
	140015	WASHER, LOCK (2160/2170)	4
23.	140212	SCREW, 1/4-20x1.5	4
	140216	SCREW, 5/16-18x1.5	4
24.	140255	SCREW, 1/4-20x1.75	4
25.	140016	WASHER, LOCK	4
26.	140000	WASHER, FLAT	4

**PAD DRIVER ASSEMBLY – OPTIONAL**

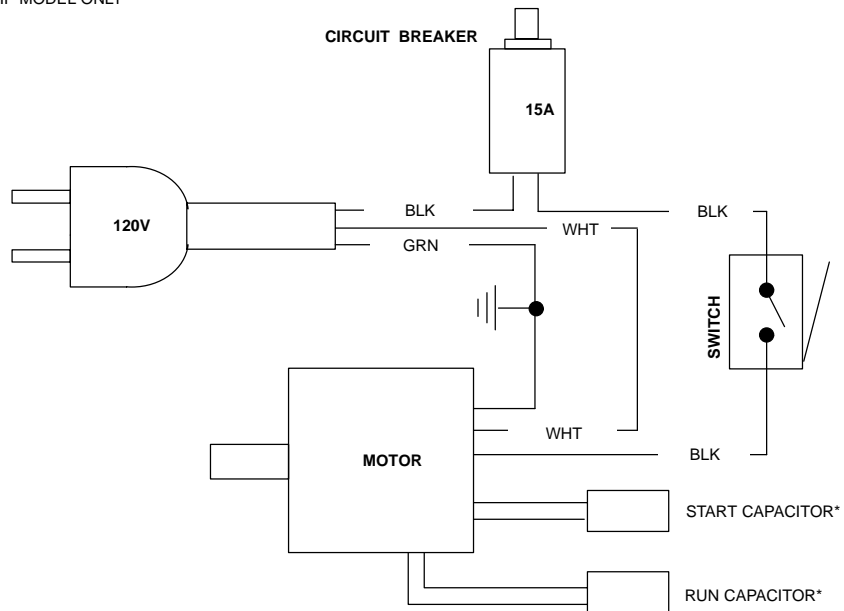
REF	PART #	DESCRIPTION	QTY.
∇27.	22207	ASM., PAD DRIVER 20" (2170)	1
	13226	ASM., PAD DRIVER 17" (2000/2010)	1
	13225	ASM., PAD DRIVER 20" (2030/2040)	1
▲28.	4184	PLATE, CLUTCH, METAL	1
∇27.	603537	ASM., PAD DRIVER 17" (2160)	1
▲28.	603539	PLATE, CLUTCH, PLASTIC	1
29.	603538	LOCK, CENTER (optional)	1

- ∇ Assembly  
▲ Included in Assembly

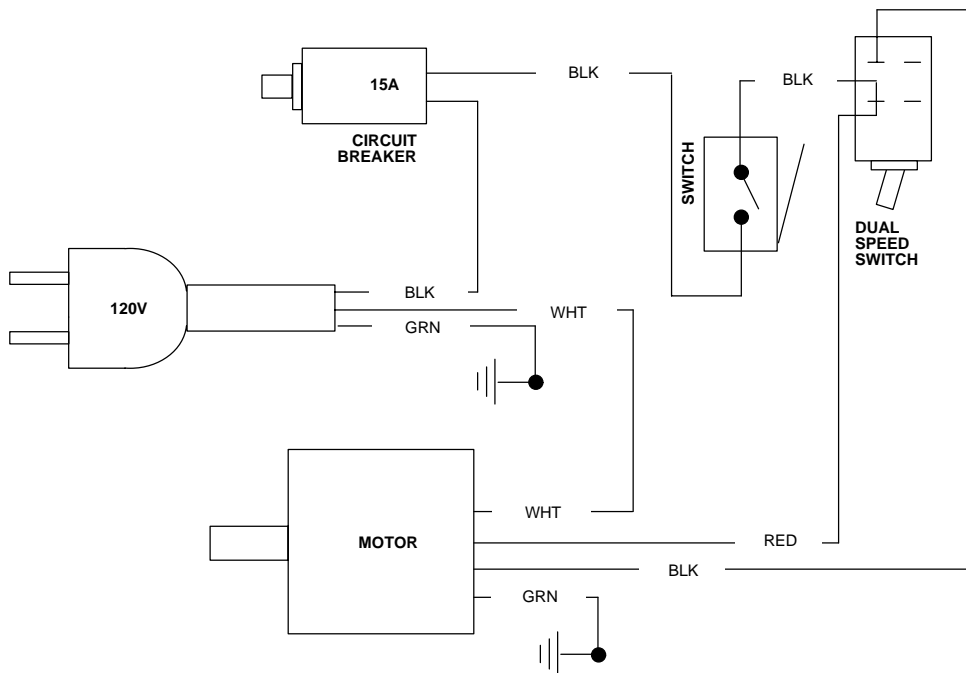
# WIRING DIAGRAM DIAGRAMA DE CABLEADO

## SINGLE SPEED – 120V

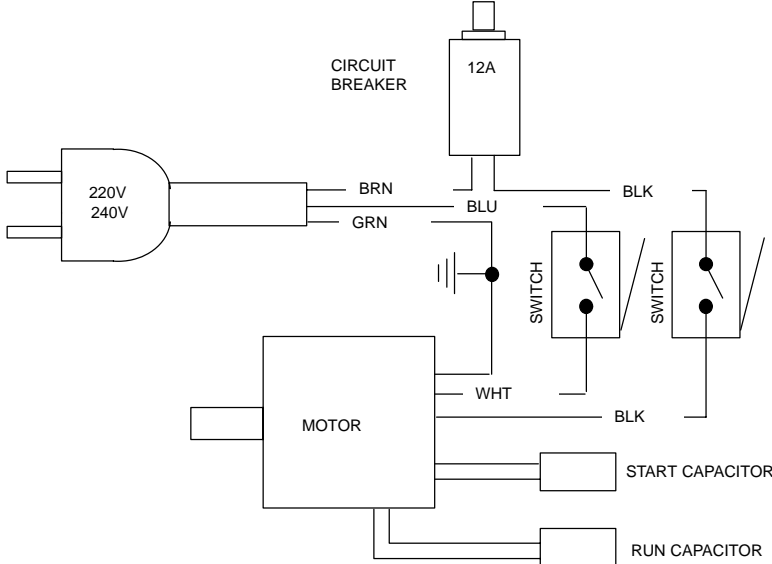
\*1.5HP MODEL ONLY



## DUAL SPEED – 120V



SINGLE SPEED – 220V/240V



DUAL SPEED – 230V

