

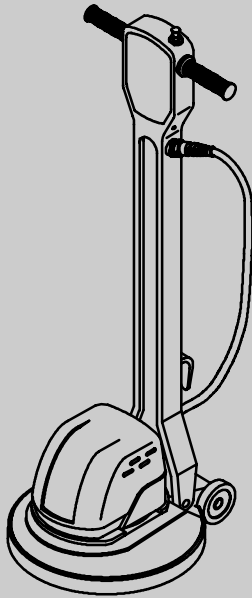
FLOOREQUIPMENT**PARTS.COM**



F-Series

Floor Machine
擦地机

Operator Manual
操作手册



型号: 9006148 - F5 43 cm 230V/50Hz

China

www.tennantco.com.cn

1028004
Rev. 01 (12-2008)



OPERATION


This manual is furnished with each new model. It provides necessary operation and maintenance instructions.

Read this manual completely and understand the machine before operating or servicing it.

Use the illustrated Parts Lists manual to order parts. Before ordering parts or supplies, be sure to have your machine model number and serial number handy. Parts and supplies may be ordered by phone or mail from any authorized parts and service center, distributor or from any of the manufacturer's subsidiaries.


This machine will provide excellent service. However, the best results will be obtained at minimum costs if:

- The machine is operated with reasonable care.
- The machine is maintained regularly - per the machine care instructions provided.
- The machine is maintained with manufacturer supplied or equivalent parts.



PROTECT THE ENVIRONMENT

Please dispose of packaging materials, old machine components such as batteries, hazardous fluids such as antifreeze and oil, in a safe environmentally way according to your local waste disposal regulations.



Always remember to recycle.

Tennant Company Shanghai
Building 3, No. 66, Tian Ying Road
Shanghai Qingpu Industrial Zone
Shanghai 201700
People's Republic of China
Phone: (86-21) 6922-5333
www.tennantco.com.cn

Tennant Company
PO Box 1452
Minneapolis, MN 55440
Phone: (800) 553-8033 or (763) 513-2850
www.tennantco.com

Specifications and parts are subject to change without notice.

Copyright ©2008 Tennant Company. All rights reserved.
Printed in U.S.A.

MACHINE DATA

Please fill out at time of installation for future reference.

Model No. - _____

Serial No. - _____

Machine Options - _____

Sales Rep. - _____

Sales Rep. phone no. - _____

Customer Number - _____

Installation Date - _____

TABLE OF CONTENTS

| | |
|--|----------|
| SAFETY PRECAUTIONS | 3 |
| GROUNDING INSTRUCTIONS | 4 |
| SAFETY LABEL | 4 |
| MACHINE COMPONENTS | 5 |
| MACHINE SETUP | 5 |
| INSTALLING PAD DRIVER / PAD / BRUSH | 5 |
| MACHINE OPERATION | 6 |
| OPERATING MACHINE | 6 |
| OPERATING THE OPTIONAL SOLUTION TANK | 7 |
| CLEANING CARPETS | 7 |
| MACHINE MAINTENANCE | 7 |
| TRANSPORTING MACHINE | 7 |
| STORING MACHINE | 8 |
| RECOMMENDED STOCK ITEMS | 8 |
| TROUBLE SHOOTING | 8 |
| SPECIFICATIONS | 9 |

SAFETY PRECAUTIONS

This machine is intended for commercial use only. It is designed exclusively to scrub floors in an indoor environment and is not constructed for any other use. Use only recommended pads/brushes and commercially available floor cleaners and waxes intended for machine application.

All operators must read, understand and practice the following safety precautions.

The following warning alert symbol and the "FOR SAFETY" heading are used throughout this manual as indicated in their description:

⚠ WARNING: To warn of hazards or unsafe practices which could result in severe personal injury or death.

FOR SAFETY: To identify actions which must be followed for safe operation of equipment.

Failure to follow these warnings may result in personal injury, electrical shock, fire or explosion.

⚠ WARNING: Fire Or Explosion Hazard:

- Never Use Flammable Liquids Or Operate Machine in Or Near Flammable Liquids, Vapors Or Combustible Dusts.

This machine is not equipped with an explosion proof motor. The electric motor will spark upon start up and during operation which could cause a flash fire or explosion if machine is used in an area where flammable vapors/liquids or combustible dusts are present.

⚠ WARNING: Electrical Hazard. Do Not Operate With Damaged Power Cord. Do Not Modify Plug. Unplug Power Cord Before Servicing Machine

If the supply cord is damaged or broken, it must be replaced by the manufacturer or it's service agent or a similarly qualified person in order to avoid a hazard.

⚠ WARNING: Electrical Shock Hazard. Do Not Use Outdoors. Do Not Expose to Rain. Store Indoors.

The following information signals potentially dangerous conditions to the operator or equipment:

FOR SAFETY:

1. Do not operate machine:

- With flammable liquids or near flammable vapors as an explosion or flash fire may occur.
- Unless trained and authorized.
- Unless operator manual is read and understood.
- Unless cord is properly grounded.
- With damaged cord or plug.
- If not in proper operating condition.
- In outdoor areas.
- In standing water.
- With the use of an extension cord.

2. Before starting machine:

- Make sure all safety devices are in place and operate properly.
- Remove loose objects on floor to prevent dangerous projectiles if struck by spinning pad.
- Place wet floor signs as needed.

3. When using machine:

- Stay clear of spinning pad.
- Do not pull machine by plug or cord.
- Do not run machine over cord.
- Do not pull cord around sharp edges or corners.
- Do not close doors on cord.
- Do not unplug by pulling on cord.
- Do not stretch cord.
- Do not handle plug with wet hands.
- Keep cord away from heated surfaces.
- Follow mixing and handling instructions on chemical containers.
- Never activate the power when the handle is in the upright position.
- Do not release handles until pad comes to a complete stop.
- Go slow on inclines and slippery surfaces.
- Wear non-slip shoes.
- Report machine damage or faulty operation immediately.
- Never allow children to play on or around.

4. Before leaving or servicing machine:

- Turn off machine.
- Unplug cord from wall outlet.

5. When servicing machine:

- Unplug cord from wall outlet.
- Avoid moving parts. Do not wear loose jackets, shirts, or sleeves.
- Use manufacturer supplied or approved replacement parts.

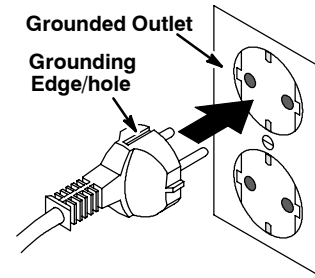
OPERATION

- All repairs must be performed by a qualified service person.
- Do not modify the machine from its original design.

6. When transporting machine:

- Get assistance when lifting machine.
- Unplug cord from wall outlet.
- Use tie-down straps to secure machine to truck or trailer.

plug. The plug must be plugged into an appropriate outlet that is properly installed in accordance with all local codes and ordinances.



220V/230V/240V

GROUNDING INSTRUCTIONS

Machine must be grounded. If it should malfunction or breakdown, grounding provides a path of least resistance for electrical current to reduce the risk of electrical shock. This machine is equipped with a cord having an equipment-grounding conductor and grounding

SAFETY LABEL

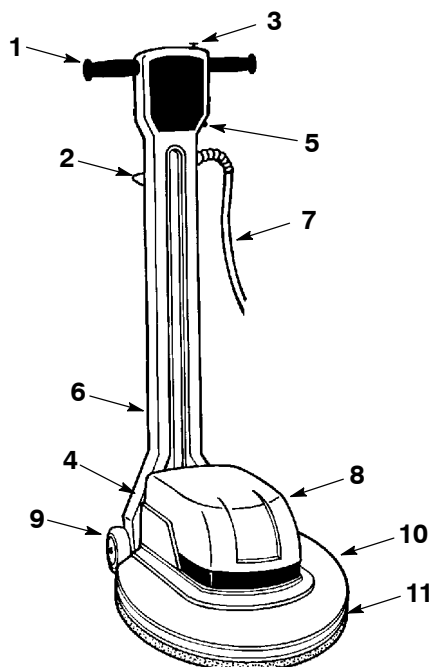
The safety label appears on the machine in the location indicated. Replace label if it is missing or becomes damaged or illegible.



WARNING LABEL - LOCATED ON BACK SIDE OF MACHINE HANDLE.

| ▲ WARNING | |
|---|---|
|  |  |
|  |  |
| EXPLOSION, FIRE AND SHOCK HAZARD. AVOID INJURY. | |
| <ul style="list-style-type: none">• Do Not Use Flammable Liquids or Operate Near Flammable Liquids, Vapors or Combustible Dusts,• Do Not Operate With Damaged Power Cord. Do Not Modify Plug. Unplug Power Cord Before Servicing Machine.• Do Not Use Outdoors. Do Not Expose to Rain. Store Indoors. | |
| ▲ ADVERTENCIA | |
| PELIGRO DE EXPLOSIÓN, FUEGO, DESCARGA EVITE LESIONES. | |
| <ul style="list-style-type: none">• No Use Líquidos Flamables Y No Use Cerca De Líquidos Flamables, Vapores Ó Materiales Combustibles,• No Use Con Cable De Corriente Dañado. No Altere El Enchufe, Desconecte Cable De Corrientes Antes Del Mantenimiento.• No Use Al Aire Libre. No Exponga A La Lluvia. Guarde Bajo Techo. | |
| ▲ 警告 | |
| 爆炸、火灾和触电危险。请避免伤害。 | |
| <ul style="list-style-type: none">• 不要操作损坏的电源线。• 不要修改电源线插头。• 在维修机器前拔出电源线插头。• 不要在户外使用。不要暴露在雨中。室内存放。 | |
| 1046797 | |

MACHINE COMPONENTS



1. Power On/Off Handle Grips
2. Handle Height Adjustment Lever
3. Safety Lock Button
4. Speed Select Switch (Dual Speed Model)
5. Circuit Breaker Reset Button
6. Power Cord Hook
7. 15m Power Cord
8. Motor Cover
9. Transport Wheels 102mm
10. Scrub Head Base
11. Bumper

MACHINE SETUP

Carefully check carton for signs of damage. Report damages at once to carrier.

INSTALLING PAD DRIVER / PAD / BRUSH

FOR SAFETY: Before leaving or servicing machine, unplug cord from wall outlet.

ATTENTION: If cleaning carpets, refer to the "CLEANING CARPETS" section in this manual.

1. With the handle in the upright position carefully tilt the machine backwards and rest the handle on the floor.
 2. Position pad on pad driver. If machine is equipped with plastic centerlock, secure pad with lock.
- NOTE:** Consult your authorized distributor for pad and brush recommendations. Use only manufacturer supplied or approved pad drivers and brushes.
3. Position the pad driver/brush on the drive motor hub and turn it counter-clockwise to engage (Figure 1).

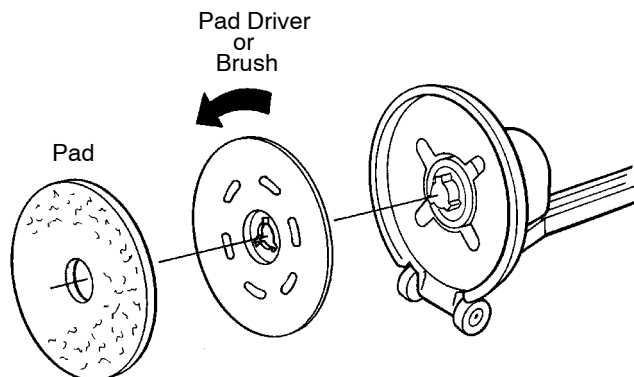


FIG. 1

4. Return machine to the upright position.

OPERATION

MACHINE OPERATION

FOR SAFETY: Do not operate machine, unless operator manual is read and understood.

⚠ WARNING: Fire or Explosion Hazard. Never Operate Machine In Or Near Flammable Liquids, Vapors Or Combustible Dusts.

OPERATING MACHINE

1. Plug the power cord into a grounded wall outlet (Figure 2).

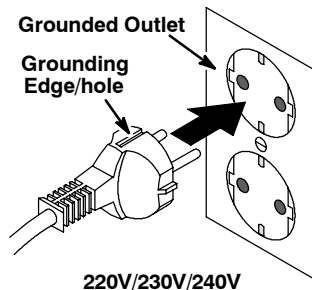


FIG. 2

FOR SAFETY: Do not operate machine unless cord is properly grounded. Do not operate machine with damaged cord or plug. Do not operate machine with the use of an extension cord.

2. For Dual Speed Models, select the appropriate motor speed. Position the speed select switch downward (185rpm) for scrubbing, stripping and carpet cleaning. Position the speed select switch upward (300rpm) for spray buffing (Figure 3).

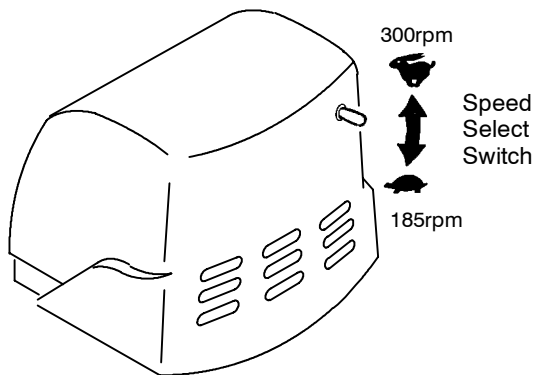


FIG. 3

3. Lower the handle to a comfortable operating height by pulling the handle height adjustment lever upward. Release lever to engage handle (Figure 4).

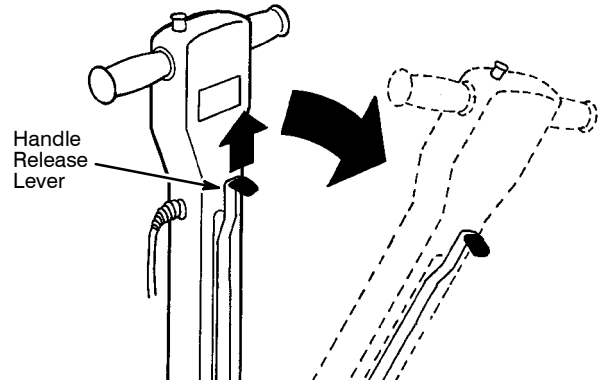


FIG. 4

4. Before starting the machine, hold the handle so the machine base is parallel to floor. This will reduce the abrupt jolt when starting the machine.

NOTE: For first time users, practice with a polishing pad which is less aggressive.

5. To begin scrubbing, hold the handles firmly, depress the safety lock button and twist handle grips forward. Release the safety lock button once machine starts (Figure 5).

ATTENTION: Use caution when starting out, the machine will jolt when the twist grips are turned.

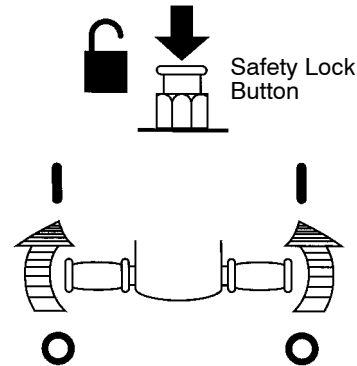


FIG. 5

6. To move the machine left (A), slightly lower the handle. To move right (B), slightly raise the handle. Operate the machine with a side to side motion (Figure 6).

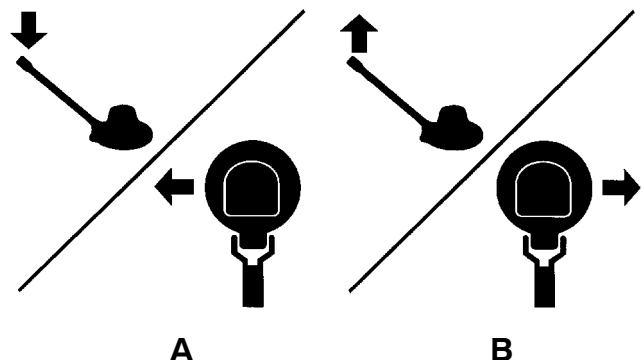


FIG. 6

NOTE: When pad becomes soiled, remove pad and turn over to expose clean side. Remove and wash pad after both sides become soiled.

7. To stop machine, rotate the handle grips backwards and hold handles firmly until machine comes to a complete stop. The safety lock button will automatically engage.

FOR SAFETY: When using machine, do not release handles until pad comes to a complete stop.

NOTE: The machine's circuit breaker may trip under conditions of excessive overload. Change to a less aggressive pad/brush and periodically check pad for soil build-up. To reset circuit breaker switch, wait 15 seconds and press the reset button located on the handle.

8. Do not operate the machine in the same spot for a long period of time. Floor damage may result.
9. To maneuver over thresholds and floor grates, stop the machine and tilt it back on the transport wheels.
10. When machine is not in use, do not leave machine standing on the pad/brush. Pad/brush damage may result.
11. When done scrubbing perform the following machine maintenance procedures.

OPERATING THE OPTIONAL SOLUTION TANK

1. Fill the solution tank with a recommended solution.

⚠ WARNING: Fire or Explosion Hazard. Never Use Flammable Liquids.

FOR SAFETY: When using machine, follow mixing and handling instructions on chemical containers.

2. Lower handle to working position. Pull the solution control knob to disperse solution to the pad/brush.

CLEANING CARPETS

Shampoo carpet brush required. Do not use a brush that is intended for hard floors; personal injury and carpet damage may result. Order Shampoo Carpet Brush p/n 604989 (43 cm), 607463 (50 cm) or consult your distributor or dealer for recommendations.

Before operating the machine on carpet, the carpet must be presprayed with an approved cleaning solution. The solution will act as a lubricant to allow the shampoo brush to spin with little resistance.

FOR SAFETY: To avoid a jolt when starting the machine on carpet, use a recommended shampoo carpet brush and prespray the carpet.

When using the Dual Speed model to clean carpets, do not operate machine at high speed; personal injury may result.

For best cleaning results allow the presprayed cleaning solution to "dwell" on the carpet for approximately 10-12 minutes before scrubbing. Using only a shampoo carpet brush, operate the machine at a gradual, steady pace.

After scrubbing, while carpet is still wet, use an extractor or wet-vacuum to pick up suspended soil and foam. Then vacuum carpet when it's completely dry.

MACHINE MAINTENANCE

⚠ WARNING: Electrical hazard. Unplug Power Cord Before Servicing Machine

1. Remove and clean the pad driver/brush after each use.
2. Clean the machine base after each use.
3. If equipped, rinse solution tank and solution supply hose with clear water.
4. Inspect power cord for damage after each use. If worn or damaged, replace immediately.
5. Wipe the power cord with damp cloth and neatly coil it around cord hook and handle after each use.
6. Periodically check that all bolts and nuts are tight.
7. Dual Speed Model: Every 250 hours of operation, check the motor for carbon brush wear. Replace brushes when worn to a length of 1 cm or less. Contact an Authorized Service Center for carbon brush inspection.

FOR SAFETY: When servicing machine, all repairs must be performed by a qualified service person.

TRANSPORTING MACHINE

1. Unplug the power cord and remove the pad from the machine. Neatly coil the cord around the cord hook and handle to prevent cord damage.
2. Load the machine using a recommended loading ramp or carefully lift the machine with adequate assistance.

FOR SAFETY: When transporting machine, get assistance when lifting machine.

3. Secure machine with tie-down straps when transporting by vehicle.

OPERATION

STORING MACHINE

1. Remove brush/pad driver from machine and neatly coil cord around cord hook and handle.
2. Store machine in a dry area in the upright position.

⚠ WARNING: Electrical Shock Hazard.
Do Not Use Outdoors. Do Not Expose to Rain.
Store Indoors.

RECOMMENDED STOCK ITEMS

Refer to the Parts List manual for recommended stock items. Stock Items are clearly identified with a bullet preceding the parts description. See example below:

| Ref. | Part No. | Description | Qty. |
|------|----------|-----------------|------|
| 1 | 701103 | ASM., STANDPIPE | 1 |
| 2 | 180618 | ●FLOAT, SHUTOFF | 1 |
| 3 | 230197 | NIPPLE | 1 |
| 4 | 101714 | ●GASKET | 1 |
| 5 | 210240 | NUT, FLANGED | 1 |

TROUBLE SHOOTING

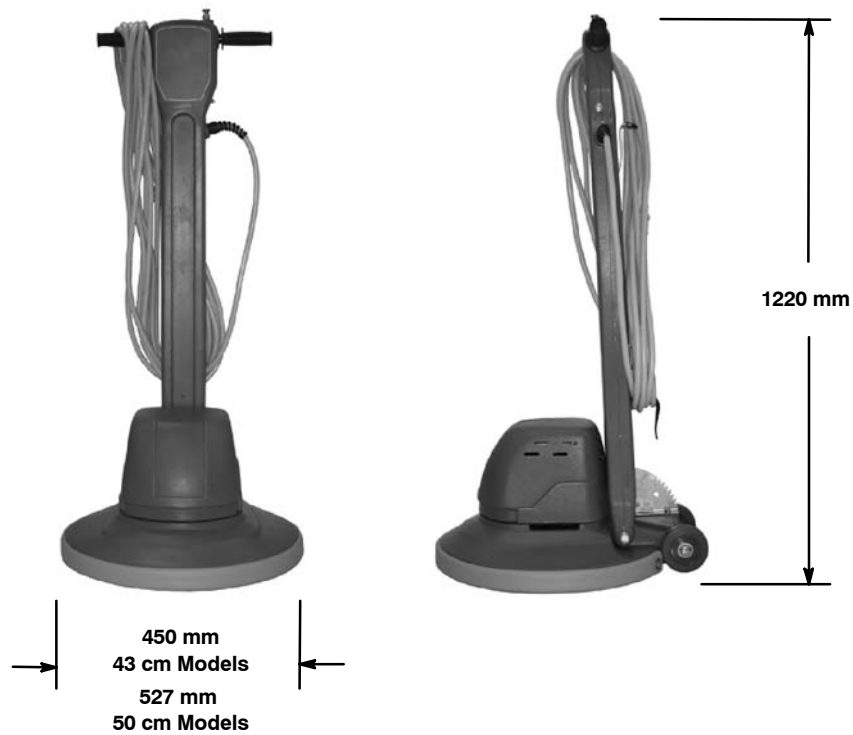
| PROBLEM | CAUSE | SOLUTION |
|---|---|--|
| Machine does not operate. | Faulty power cord. | Contact Service Center. |
| | Tripped circuit breaker. | Reset circuit breaker on machine. |
| | Tripped building circuit breaker. | Reset circuit breaker in building. |
| | Faulty machine wiring. | Contact Service Center. |
| | Faulty On/Off handle switch. | Contact Service Center. |
| | Faulty motor. | Contact Service Center. |
| | Capacitor burned out (Single speed models). | Contact Service Center. |
| | Rectifier burned out (Dual speed models). | Contact Service Center. |
| Machine operates with a wobble or jerky motion. | Soiled Pad. | Replace Pad. |
| | Improper pad/brush for application. | Change to proper pad/brush. |
| | Pad driver/brush not installed correctly. | Remove and reinstall pad driver/brush. |
| | Pad/brush unevenly worn. | Replace pad/brush. |
| | Pad not properly centered on pad driver. | Remove and reinstall pad. |
| Machine circuit breaker trips continuously. | Heavily soiled pad/brush. | Clean or replace pad/brush. |
| | Improper pad/brush for application. | Change to proper pad/brush. |
| | Defective circuit breaker. | Contact Service Center. |
| | Worn carbon brushes in motor. | Contact Service Center. |

SPECIFICATIONS

| MODEL | F5 43 cm | F5 50 cm | F10 50 cm |
|---|------------------------|------------------------|---|
| WIDTH | 450 mm | 527 mm | 527 mm |
| HEIGHT | 1220 mm | 1220 mm | 1220 mm |
| WEIGHT | 43Kg | 43Kg | 43Kg |
| DRIVE MOTOR | 240V, 1.1 kW, 7A, 50Hz | 230V, 1.1 kW, 7A, 50Hz | 230V, 1.1kW, 7A, 60Hz |
| | 230V, 1.1 kW, 7A, 60Hz | 220V, 1.1 kW, 7A, 60Hz | |
| PAD/BRUSH SPEED | 175 RPM | 175 RPM | 185/330 RPM |
| POWER CORD LENGTH | 15M | 15M | 15M |
| BRUSH/PAD DIA. | 432 mm | 508 mm | 508 mm |
| DECIBEL RATING AT OPERATOR'S EAR, INDOORS ON TILE FLOOR | <70dB(A) | <70dB(A) | 71dB(A) At Low Speed 73dB(A) At High Speed |

Specifications subject to change without notice.

MACHINE DIMENSIONS



操作


本手册随每种新型号提供。
提供必要的操作和维护说明。

操作或维修前请通读本手册并熟悉机器。


订购替换零部件时，请从此手册中选择合适零件。在订购零部件和配件之前，请确认机器型号及序列号。零部件和配件可以通过电话和邮件形式向坦能授权的任何一家维修中心订购。

该机器将提供卓越的性能。若在日常操作中注意以下事项，则能达到事半功倍的效果。

- 操作机器时非常小心。
- 定期维护机器-根据每台机器提供的维护说明。
- 维护机器的使用坦能提供的部件或同类部件。



保护环境
请按照当地废物处理法规以环境安全的方式处理包装材料和旧的机器组件。



始终记住再循环。

Tennant Company

PO Box 1452

Minneapolis, MN 55440

Phone: (800) 553-8033 or (763) 513-2850

www.tennantco.com

坦能清洁系统设备（上海）有限公司

上海市青浦区工业园区天盈路66号3号楼，201700

电话：(86-21) 6922-5333

传真：(86-21) 6922-5151

www.tennantco.com.cn

规格和零件可能更改，恕不另行通知。

版权所有 © 2008 TENNANT Company.

保留所有权利。

机器信息

请在安装时填写供未来参考。

型号 - _____

序列号 - _____

机器选项 - _____

销售代表 - _____

销售代表电话号码 - _____

客户编号 - _____

安装日期 - _____

目录

| | |
|-------------------|----|
| 安全预防措施 | 11 |
| 接地说明 | 12 |
| 安全标签 | 12 |
| 机器部件 | 13 |
| 机器安装 | 13 |
| 安装针座/百洁垫/刷子 | 13 |
| 机器操作 | 14 |
| 操作机器 | 14 |
| 操作清水箱选配件 | 15 |
| 清洁地毯 | 15 |
| 机器维护 | 15 |
| 运输机器 | 15 |
| 存放机器 | 16 |
| 建议的常备配件 | 16 |
| 故障排除 | 16 |
| 技术参数 | 17 |

安全预防措施

本机器仅用于商业用途，且专用于擦洗室内地面，不得用于其它用途。机器只能使用推荐的百洁垫/刷子和商用地面清洁剂和涂蜡。

所有操作员必须阅读、理解并遵守下列安全预防措施。

本手册使用下列警告符号和“为确保安全”标题，请见各自说明：

警告： 对可能导致人员重伤或死亡的危险或不安全做法提出警告。

为确保安全：需明确安全操作设备必须采取的行为。

不遵守这些警告可能会引发人员受伤、电击、火灾或爆炸。

警告： 火灾或爆炸危险：

- 禁止使用易燃液体，禁止靠近易燃液体，易燃挥发气体，易燃粉尘附近使用或操作机器。

本机器未装配防爆马达。在启动和操作时，电动马达可能会产生火花，若有易燃挥发气体/液体或易燃粉尘的地方使用本机器，则可能引发火灾或爆炸。

警告： 电气危险。禁止使用已损坏的电源线操作。禁止修改插头。维修机器前先拔下电源插头。

若电源线损坏或断裂，应由制造商、授权的代理服务机构或类似的合格人员更换，以免发生危险。

警告： 电击危险。禁止在室外使用。禁止雨淋。应室内存放。

下列情况可能会对操作员或设备构成危险：为确保安全：

1. 下列情况禁止操作机器：

- 靠近易燃液体，易燃挥发气体，易燃粉尘附近，可能发生爆炸或暴燃。
- 未经过培训并得到授权。
- 未阅读并理解操作手册。
- 电源线未正确接地。
- 使用已损坏的电源线或插头。
- 未处于正确操作条件时。
- 在户外区域。
- 在水中。
- 使用延长电源线时。

2. 启动机器前：

- 确保所有安全设备已安装就位并正常操作。
- 取走地面上的松散物体，以免被百洁垫在旋转时弹射，发生危险。
- 按要求放置地面湿滑标记。

3. 使用机器时：

- 保持百洁垫清洁。
- 禁止通过插头或电源线拉动机器。
- 机器运行时不得压住电源线。
- 禁止在锋利边缘或拐角处拉动电源线。
- 关门时禁止压住电源线。
- 禁止通过拉动电源线拔下插头。
- 禁止拉紧电源线。
- 禁止用湿手接触插头。
- 电源线应远离发热表面。
- 遵守化学容器中的混合和处理说明。
- 手柄位于垂直位置时，禁止接通电源。
- 百洁垫完全停止前禁止释放手柄。
- 在斜坡和光滑表面上慢速行进。
- 穿上防滑鞋。
- 若机器出现损坏或故障，应立即报告。
- 禁止小孩在附近玩耍。

4. 离开或维修机器前：

- 关闭机器。
- 从壁上插座拔下电源线。

5. 维修机器时：

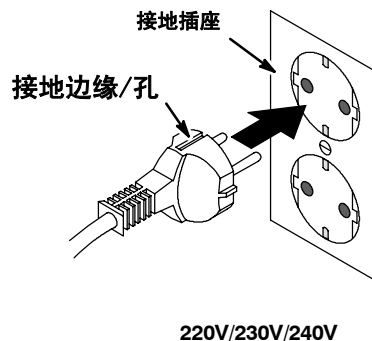
- 从插座上拔下电源线。
- 避免移动配件。不要穿宽松的夹克、衬衫或袖子宽松的衣服。
- 使用制造商提供或认可的零配件。
- 所有修理工作应由专业的维修人员进行。
- 禁止改变机器的原始设计。

6. 运输机器时：

- 抬起机器时应寻求帮助。
- 从插座上拔下电源线。
- 用紧固带将机器拴在卡车或拖车上。

接地说明

机器必须安全接地。若机器出现故障或损坏，接地线可使电流在最小电阻回路中流动，降低电击危险。本机器配有一根带有接地导体设备和接地插头的电源线。插头插入的插座必须符合所有本地法规和条例。



安全标签

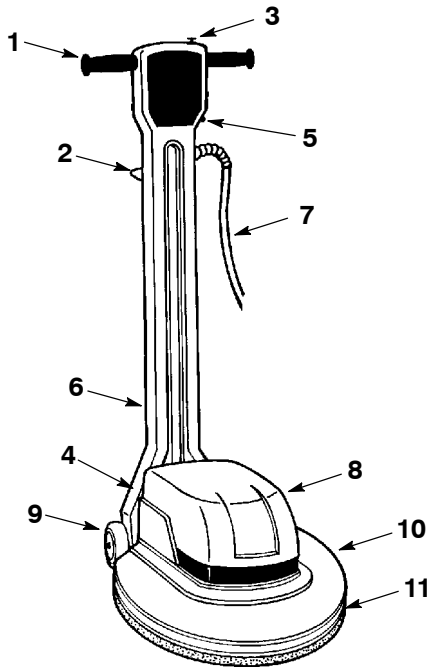
安全标签位于机器上的指定位置。若安全标签丢失、损坏或不可辨认，则应更换标签。



警告标签一位于机器手柄背面。



机器部件



1. 工作电源开/关操作手柄
2. 手柄高度调节杆
3. 安全锁定按钮
4. 速度选择开关（双速型号）
5. 断路器复位按钮
6. 电源线挂钩
7. 15m电源线
8. 马达盖
9. 102mm行走轮
10. 刷头
11. 防撞垫

机器安装

仔细检查纸板箱是否有损坏迹象。一旦发现损坏，立即报告承运商。

安装针座/百洁垫/刷子

为确保安全：离开或维修机器前先从插座上拔下电源线。

注意：清洁地毯请参见本手册中的“清洁地毯”部分。

1. 操作手柄位于垂直位置时，小心地向后倾斜机器，将操作手柄躺倒在地面上。
2. 将百洁垫放在针座上。若机器装有塑料中心锁扣，则用锁扣锁住百洁垫。

注：有关百洁垫和刷子的推荐请咨询授权分销商。仅可使用制造商提供或认可的针座和刷子。

3. 将针座/刷子装到驱动马达中心，然后逆时针转动使之啮合（图 1）。

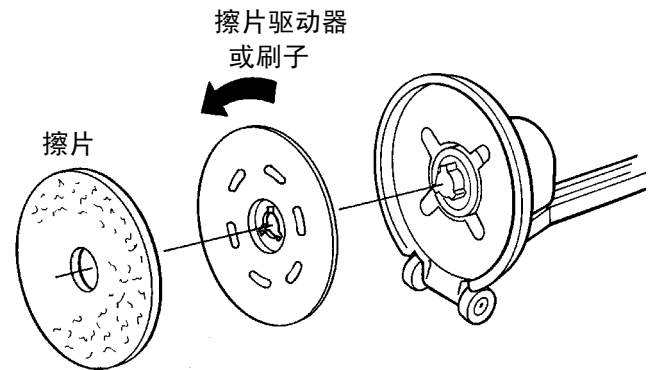


图 1

4. 将机器恢复垂直站立。

机器操作

为确保安全：除非已经阅读并理解操作手册，否则不得操作机器。

警告：火灾或爆炸危险。禁止在易燃液体、易燃挥发气体或易燃粉尘附近操作机器。

操作机器

1. 将电源线插头插入带有接地的插座内（图 2）。

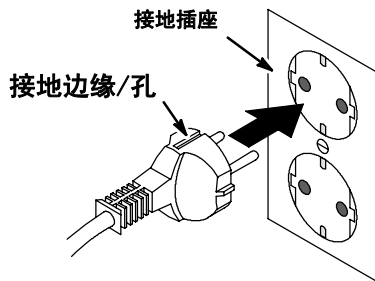


图 2

为确保安全：除非电源线已正确接地，否则禁止操作机器。禁止操作电源线或插头已损坏的机器。禁止使用延长电源线操作机器。

2. 双速型号：选择合适的马达速度。向下放置速度选择开关（185rpm），用于洗地、除蜡和地毯清洁。向上放置速度选择开关（300rpm），用于抛光清洗（图 3）。

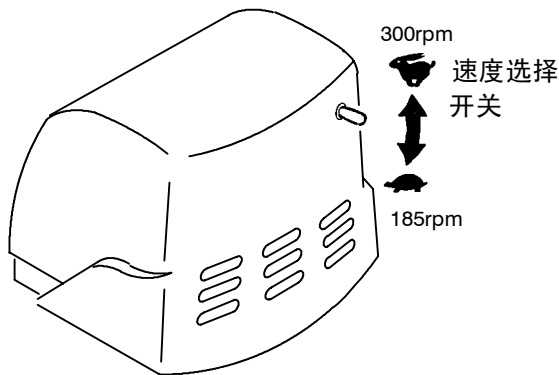


图 3

3. 上拉手柄高度调节杆，将手柄置于合适的操作高度。释放调节杆，固定手柄（图 4）。

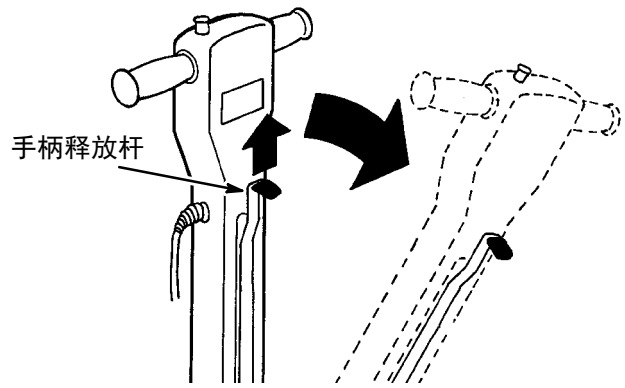


图 4

4. 启动机器前，握紧手柄，使机器底座与地面平行，可减少机器启动时的突发晃动。

注：对于初次使用的用户，请使用较软的抛光百洁垫。

5. 开始洗地时，牢牢地握住手柄，下压安全锁定按钮，然后向前转动手柄。一旦启动机器，松开安全锁定按钮（图 5）。

注：启动机器时须十分小心，因为转动操作手柄时机器会出现晃动。

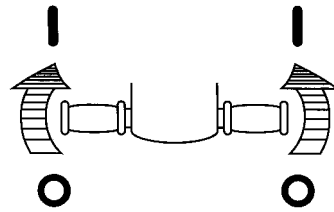
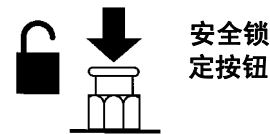


图 5

6. 稍稍压下手柄，向左移动机器（A）；稍稍上拉手柄，向右移动机器（B）。以左右运动模式操作机器进行清洗（图6）。

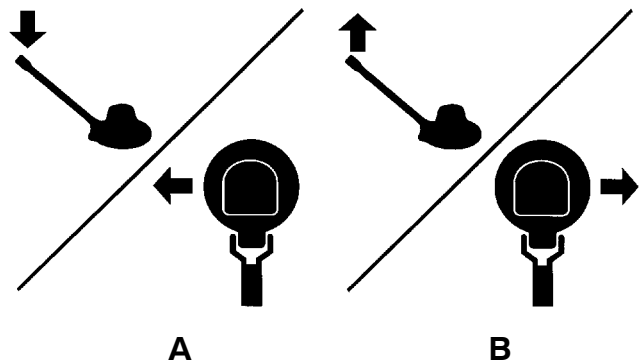


图 6

注：百洁垫变脏时，拆卸下百洁垫，并翻转使用干净的一面。两面均变脏后，拆卸并清洗百洁垫。

7. 要停止机器，先向后旋转手柄，然后牢牢握住手柄，直至机器完全停止。安全锁定按钮将自动闭合。

为确保安全：使用机器时，在百洁垫完全停止前禁止释放手柄。

注：机器断路器会在过载时跳闸。更换成较软的百洁垫/刷子，并定期检查百洁垫的污秽程度和清洗。要复位断路器，等待15秒，然后按下手柄上的复位按钮。

8. 禁止长时间在同一地方操作机器，以免损坏地面。
9. 越过门槛和梯级时，停止并向后倾斜机器，使行走轮承重。
10. 不用机器时，禁止将机器立于百洁垫/刷子上，使百洁垫/刷子承重，损坏百洁垫/刷子。
11. 洗地完成，进行下列机器维护保养步骤。

操作清水箱及配件

1. 将推荐的清洁剂注入清水箱。

警告：火灾或爆炸危险。禁止使用易燃液体。

为确保安全：使用机器时，始终遵守化学容器中的搅拌和处理说明。

2. 将手柄置于工作位置。转动水量控制旋钮，清洁剂将会分散至百洁垫/刷子上。

清洁地毯

清洗地毯要求使用Shampoo 地毯清洗刷。不能使用硬地面刷子；否则会造成人员伤害和地毯损坏。订购Shampoo 地毯清洗刷p/n604989 (43 cm)与607463 (50 cm)，或咨询分销商或经销商获取相关建议。

清洗地毯前，必须用合适的地毯清洁剂事先喷洒地毯一遍。该清洁剂将起到润滑作用，使地毯清洗刷旋转时阻力较小。

为确保安全：为避免在地毯上启动机器时出现晃动，请使用建议的地毯清洗刷并事先喷洒地毯。

使用双速型机器清洗地毯时，禁止高速操作机器；以免造成人员受伤。

为获得最佳的清洗效果，在地毯上喷洒清洁剂约10—12分钟后开始清洗。务必使用地毯清洗刷，且应平缓、稳定地操作机器。

清洗后，在地毯仍潮湿时，使用抽洗机或湿式真空吸尘器回收悬浮在地毯上的污垢和泡沫。然后在地毯完全变干时，使用真空吸尘器吸尘。

机器维护

警告：电气危险。维修机器前先拔下电源线插头。

1. 每次使用后，拆卸并清洗针座/刷子。
2. 每次使用后要清洗机器底座。
3. 使用清水冲洗清水箱和清水软管（若选配）。
4. 每次使用后检查电源线是否损坏。若出现磨损或损坏，则应立即更换电源线。
5. 每次使用后，用轻度潮湿的布擦拭电源线，并将电源线整齐地挂在手柄的吊钩上。
6. 定期检查所有螺栓和螺母是否紧固。
7. 双速型号：每操作250小时后检查马达碳刷的磨损情况。当磨损至1cm或更小长度时，更换碳刷。有关碳刷的检查信息，请联系授权服务中心。

为确保安全：所有修理工作应由专业的维修人员进行。

运输机器

1. 拔下电源线插头，从机器上拆卸百洁垫。将电源线整齐地挂在吊钩上，以免损坏电源线。
2. 用推荐的装载坡台装载机器或在别人的帮助下小心抬起机器。

为确保安全：运输，抬起机器时应寻求帮助。

3. 通过车辆运输时，用紧固带将机器拴在卡车或拖车上。

存放机器

1. 从机器上拆下刷子/针座，并将电源线整齐地挂在手柄的吊钩上。
2. 在干燥区域垂直放置机器。

警告：电击危险。禁止在室外使用。禁止雨淋。室内存放。

建议的常备配件

建议的常备配件信息请参见机器随附的配件手册。常备配件在配件说明之前用一个黑点清晰表示出来。参见下列示例：

| Ref. | Part No. | Description | Qty. |
|------|----------|-----------------|------|
| 1 | 701103 | ASM., STANDPIPE | 1 |
| 2 | 180619 | ●FLOAT, SHUTOFF | 1 |
| 3 | 230187 | NIPPLE | 1 |
| 4 | 101714 | ●GASKET | 1 |
| 5 | 210240 | NUT, FLANGED | 1 |

故障排除

| 故障 | 起因 | 解决方案 |
|--------------|----------------|---------------|
| 机器不能操作 | 电源线发生故障。 | 联系服务中心。 |
| | 断路器跳闸。 | 复位机器断路器。 |
| | 楼宇断路器跳闸。 | 复位楼宇断路器。 |
| | 机器线路损坏。 | 联系服务中心。 |
| | 电源开/关 手柄开关故障。 | 联系服务中心。 |
| | 马达故障。 | 联系服务中心。 |
| | 电容器烧坏（单速型号）。 | 联系服务中心。 |
| | 整流器烧坏（双速型号）。 | 联系服务中心。 |
| 机器操作时晃动或不平稳。 | 百洁垫已变脏。 | 更换百洁垫。 |
| | 使用了不合适的百洁垫/刷子。 | 更换合适的百洁垫/刷子。 |
| | 没有正确安装针座/刷子。 | 拆卸并重新安装针座/刷子。 |
| | 百洁垫/刷子不均匀磨损。 | 更换百洁垫/刷子。 |
| | 百洁垫未在针座上中心。 | 拆卸并重新安装百洁垫。 |
| 机器断路器连续跳闸。 | 百洁垫/刷子极脏 | 清洁或更换百洁垫/刷子 |
| | 使用了不合适的百洁垫/刷子。 | 更换合适的百洁垫/刷子。 |
| | 断路器故障。 | 联系服务中心。 |
| | 马达中的碳刷磨损。 | 联系服务中心。 |

技术参数

| 型号 | F5 43 cm | F5 50 cm | F10 50 cm |
|--------------|------------------------|------------------------|------------------------------|
| 宽度 | 450 mm | 527 mm | 527 mm |
| 高度 | 1220 mm | 1220 mm | 1220 mm |
| 重量 | 43Kg | 43Kg | 43Kg |
| 驱动马达 | 240V, 1.1 kW, 7A, 50Hz | 230V, 1.1 kW, 7A, 50Hz | 230V, 1.1kW, 7A, 60Hz |
| | 230V, 1.1 kW, 7A, 60Hz | 220V, 1.1 kW, 7A, 60Hz | |
| 百洁垫/刷子转速 | 175 RPM | 175 RPM | 185/330 RPM |
| 电源线长度 | 15M | 15M | 15M |
| 刷子/百洁垫直径 | 432 mm | 508 mm | 508 mm |
| 噪音分贝--室内瓷砖地面 | <70dB(A) | <70dB(A) | 低速时为 71dB(A) 高速时为 73dB(A) |

参数可能有所更改，恕不另行通知。

机器尺寸

