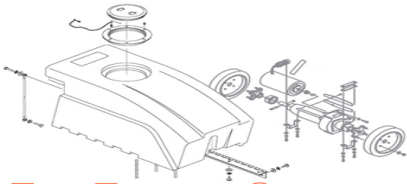
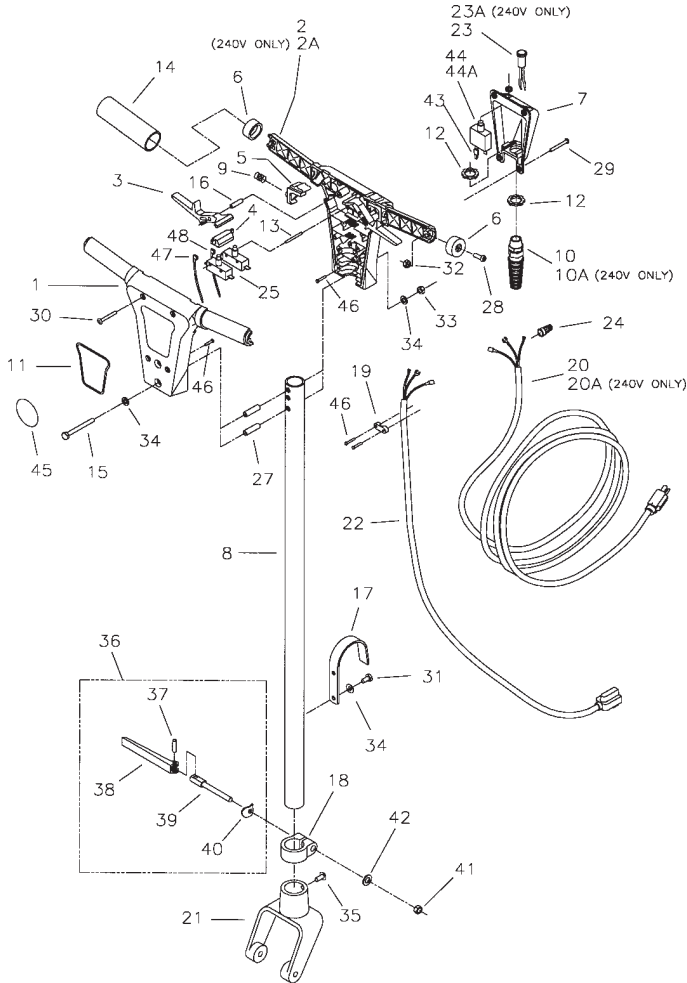


# Minuteman®

# Handle Assembly 150116/150221



FLOOR-EQUIPMENT-PARTS.COM



Item	Part No.	Qty.	Description
1	190022	1	Switch Box Front
2	190023	1	Switch Box Rear
2A	190023MCH	1	Switch Box Rear (240V)
3	190033B	2	Switch Trigger, Lg. Black
4	190008	1	Switch Cap
5	190009B	2	Safety Button
6	190006	2	End Cap
7	190024	1	Electrical Box Cover Black
7A	190005MCH	1	Electrical Box Rear 2HLE
8	190012	1	Tube Handle
9	190015	2	Trigger Spring
10	150003	1	Strain Relief (115V)
10A	150004	1	Strain Relief (240V)
11	715175	1	Decal Minuteman Runner
12	711400	2	Nut-Pipe Lock 1/2
13	711619	2	Roll Pin 1/8 X 1.50
14	190016	2	Foam Grip
15	710186	2	SCR-MC 1/4-20 x 2.25 TH
16	611620	2	Roll Pin 1/4 x 1.25
17	170040PLT	1	Cord Hook
18	16224	1	Handle Clamp
19	190010	1	Strain Relief
20	150002	1	Gray Cord Set (115V)
20A	740600	1	Cord Set (240V)
21	803379	1	Yoke
22	190013	1	Cord, Handle
23	832859	1	Indicator Light (115V)
23A	832860	1	Indicator Light (240V)
24	740044	2	Wire Cap 12-18
25	740029	2	Switch 1.5 hp
26	740005	4	Wire Cap 18-14
27	190029	2	Bushing
28	710380	2	SCR-MC 1/4-20 x .75
29	711160	4	SCR Hi/Lo 10 x .63
30	711162	4	SCR Hi/Lo 10 x 1.50
31	711202	2	BOLT-HH 1/4-20 x .50
32	711316	2	Nut-Hex 1/4-20
33	711373	2	Nut-Nyloc 1/4-20
34	711504	4	WSR-Flat 1/4
35	710579	2	SCR-MC 1/4-20 x .62
36	807674	1	Kick Lever Kit
37	806561	1	Dowel Pin
38	806558	1	Kick Lever
39	807190	1	Bolt Cam
40	806555	1	Washer Cam
41	711374	1	Nut-Nyloc 5/16-18
42	711506	1	WSR-Flat 5/16
43	740254	2	Piggyback Terminal
44	740106	1	Circuit Breaker 9 amp
44A	740220	1	Circuit Breaker 20 amp
45	715501	1	Decal - "Made in USA"
46	711128	2	Screw Hi/Lo #8
47	740361	1	Wire Assembly - White
48	740362	1	Wire Assembly - Black

# Minuteman®

**World Headquarters**  
Minuteman International, Inc.  
111 South Rohlwing Road  
Addison, Illinois 60101

Minuteman Canada, Inc.  
2210 Drew Road  
Mississauga, Ontario  
L5S 1B1

(630) 627-6900  
FAX (630) 627-1130

(905) 673-3222  
FAX (905) 673-5161

Revised 3/97  
988389  
Printed in U.S.A.