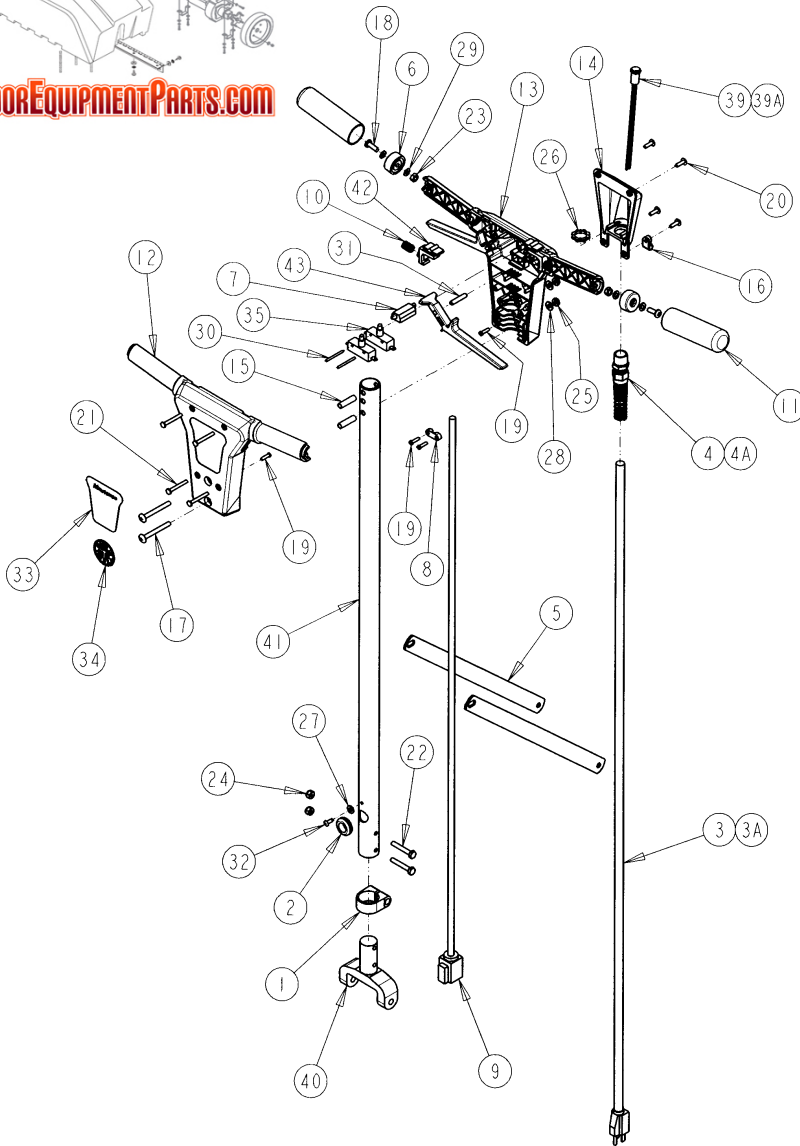


FLOOR-EQUIPMENT-PARTS.COM



Item	Part No.	Qty.	Description
1	16224	1	Clamp, handle
2	130013	1	Grommet,.625x1.25x.09
3	150002	1	MD gray cord Set 14-3 50'
3A	740600	1	Cord HO5 VV-F3G 1.5x50' (240V)
4	150003	1	Relief, Strain 100x50
4A	150004	1	Relief, Strain Heyco 3251 (240V)
5	160030	2	Handle brace new style
6	190006	2	End cap
7	190008	1	Switch cap
8	190010	1	Strain relief
9	190013	1	Cord assembly
10	190015	2	Trigger spring
11	190016	2	Foam Grip 4-1/2 1/L
12	190022	1	Switch box cover,front blk
13	190023	1	Switch box cover back blk
14	190024	1	Electrical box cover blk
15	190029	2	Bushing .270x.343x1.25
16	250038	1	Retainer,bag clip
17	710186	2	Scr-mc1/4-20x2.25 th
18	710380	2	Scr-mc 1/4-20x.75 st pl
19	711128	4	Scr-st-b Hi-lo 8-.62 pl
20	711160	4	#10x 5/8 Hi-lo
21	711162	4	#10x 1-1/2 Hi-lo
22	711213	2	Blt-hh 1/4-20x1.62
23	711316	2	Nut-hex 1/4-20 st pl
24	711373	2	Nut-nyloc 1/4-20
25	711387	2	Nut-nyloc 1/4-20 1/2 nut
26	711400	1	Nut-pipe lock 1/2"
27	711503	1	Wsr, flat #10
28	711504	2	Wsr-flat 1/4 ID SS
29	711554	4	Wsr-internal lock 1/4 ID
30	711619	2	Roll pin 1/8x1.75 long
31	711620	2	Roll pin 1/4x1.25 long
32	711903	1	Rivet-pop 3/16"
33	715175	1	Decal Minuteman runner
34	715501	1	Decal made in USA
35	740029	2	Switch pb spst no 25A 125/250V
36	740361	1	14G white 6.00"
37	740362	1	14G black 6.00"
38	741129	3	Splice,crimp, end
39	832859	1	Indicator light 115V
39A	742313	1	Lamp, 230V VDE (240V only)
40	130016WHI	1	Yoke handle special painted
41	130206PLT	1	Handle tube plated
42	190009B	2	Safety button
43	190033B	2	Switch, trigger