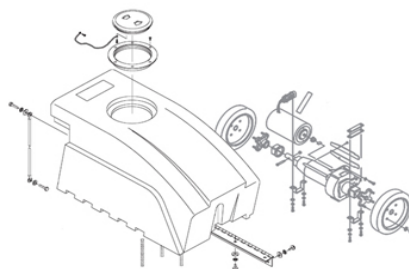


320 Floor Scrubber Traction Driven

Model: MC32036QP
MC32036CE



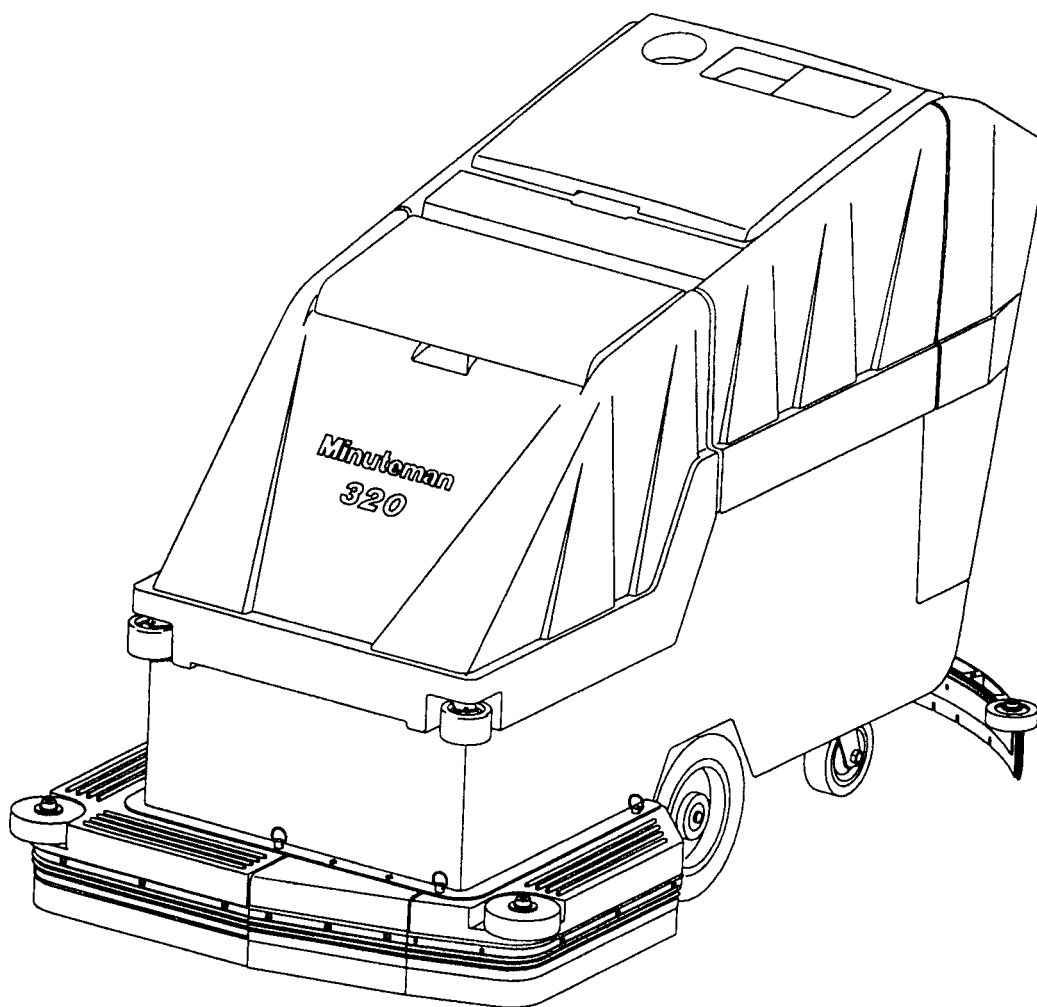
FLOOREQUIPMENTPARTS.COM

OPERATION

SERVICE

PARTS

CARE



Revised 8/03

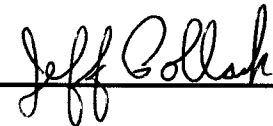
Minuteman[®]

EC Declaration of Conformity

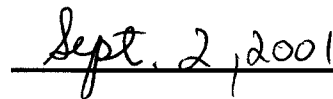
according to Directives 89/392, 89/336 and 72/73

We, Minuteman International Incorporated, of 111 South Rohlwing Road Addison Illinois 60101 USA, declare under our sole responsibility that the product MC32036CE & PB32036CE, Automatic Floor Scrubbing machines to which this declaration relates corresponds to the relevant requirements of the EC Directives 89/392, 89/336 and 72/73. The following standards were used to determine compliance with the Directives: EN 292, EN 294, EN 811, EN 55011, EN 55104, EN 50082-2, EN 60335-1 and IEC 335-2-72 .

SOUND		VIBRATION						
72 dB Operator	69 dB At 3m	1.9 m/s² At Operators Hand Grips						
Tests were conducted on 6/7/96 with calibrated sound and vibration equipment under the conditions noted below: <table style="width: 100%; margin-top: 10px;"> <tr> <td style="width: 33%;">General Condition: Cloudy</td> <td style="width: 33%;">Wind: 0 km/hr</td> </tr> <tr> <td>Temperature: 29°C</td> <td>Humidity: 85%</td> </tr> <tr> <td>Barometric Pressure: 29.5</td> <td></td> </tr> </table>			General Condition: Cloudy	Wind: 0 km/hr	Temperature: 29°C	Humidity: 85%	Barometric Pressure: 29.5	
General Condition: Cloudy	Wind: 0 km/hr							
Temperature: 29°C	Humidity: 85%							
Barometric Pressure: 29.5								



Jeff Pollack, Standards Engineer



Date

TABLE OF CONTENTS

	Page
Safety Instructions	1
Electrical Requirements	2
Control Panel Identification	3
Squeegee Adjustments	4
Operating Instructions	5
Maintenance of Machine	6 & 7
Main Polyethylene Components	8 & 9
Recovery Tank	10
Solution Tank	11
Drive Assemblies	12 & 13
Main Frame	14 & 15
Console Assembly	16 & 17
Scrubhead Assembly	18
Squeegee Mechanism Assembly	19
Squeegee Assembly Complete	20
Wiring Diagram Standard Model	21
Wiring Diagram CE Model	22

IMPORTANT SAFETY INSTRUCTIONS

CAUTION

Operators must read and understand this manual before operating or maintaining this equipment.

- Keep hands and feet clear of moving parts while machine is in operation.
- All switches must be in the “OFF” position when charging batteries.
- Electrical motors and components can cause an explosion when operated near explosive materials or vapors. Do not operate this machine near flammable materials such as solvents, thinners, fuels, grain dusts, etc.
- Make sure all switches are turned “OFF” and battery connections are removed before performing any maintenance procedures.
- Store or park this machine on a level surface only.
- These machines are designed for level floor operation only. DO NOT OPERATE on ramps or inclines.
- Battery acid can cause burns. When working on or around batteries, wear protective clothing and safety glasses. Remove metal jewelry. Do not lay tools or metal objects on top of batteries.
- This machine is not suitable for picking up hazardous dust.
- Charging batteries generates explosive gases. DO NOT CHARGE BATTERIES WHEN OPEN FLAMES OR SPARKS ARE PRESENT. DO NOT SMOKE. Make sure the charger is turned off before disconnecting it from the batteries. Charge the batteries in a well-ventilated area.
- Maintenance and repairs must be performed by authorized personnel.

SAVE THESE INSTRUCTIONS

ELECTRICAL REQUIREMENTS:

This piece of equipment operates on 36 Volt DC.

BATTERY REQUIREMENTS:

6 x 6V 220AH P/N 956720

6 x 6V 275AH P/N 956740

BATTERY SERVICE AND INSTALLATION:

* Warning: Battery acid can cause burns. When working on or around batteries, wear protective clothing and safety glasses. Remove metal jewelry. Do not lay tools or metal objects on top of batteries.

BATTERY INSTALLATION:

1. Raise tank assembly by raising rear cover and disconnecting vacuum recovery hose, Fig. 1.
2. Tilt recovery tank.
3. Install batteries as shown in figure 2.

CHARGING OF BATTERIES:

Charging of batteries generates explosive gases. DO NOT CHARGE BATTERIES WHEN OPEN FLAMES OR SPARKS ARE PRESENT. DO NOT SMOKE. Make sure the charger is turned off before disconnecting it from the batteries. Charge the batteries in a well-ventilated area. Fluid levels should be checked before and after charging and maintained at the proper levels.

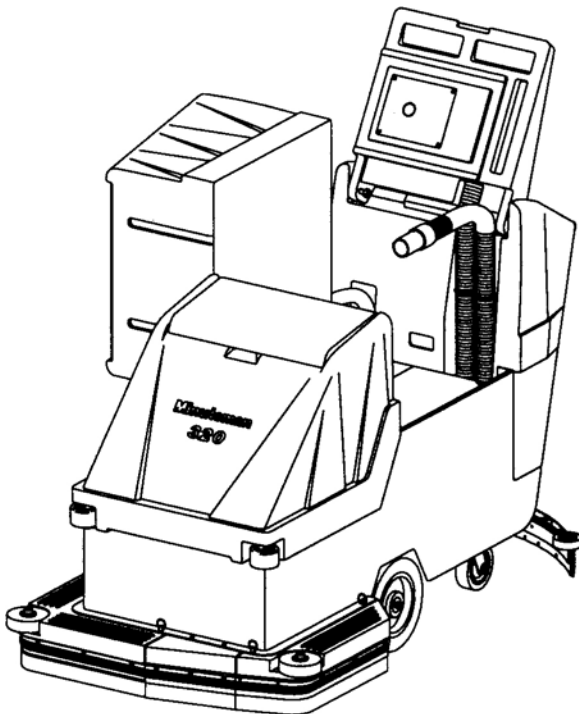


Figure 1

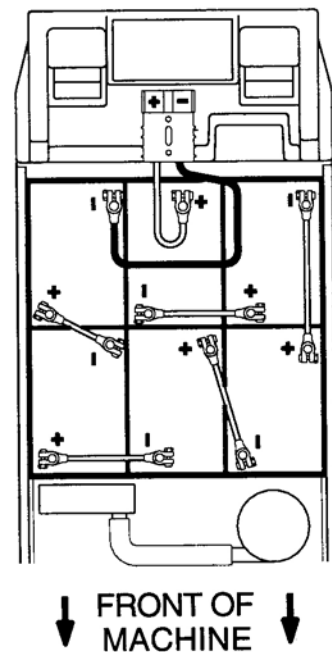
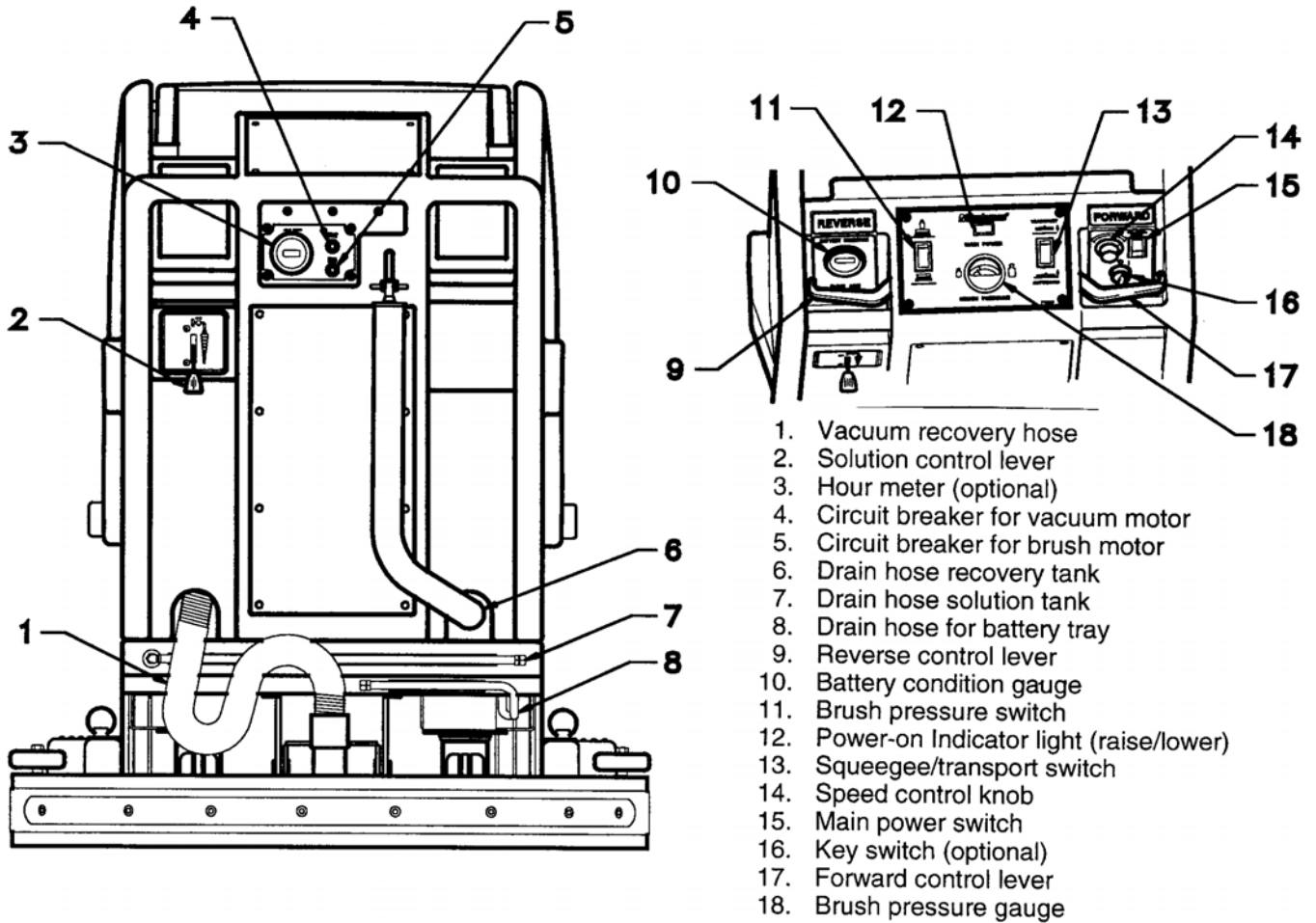


Figure 2

CONTROL PANEL IDENTIFICATION

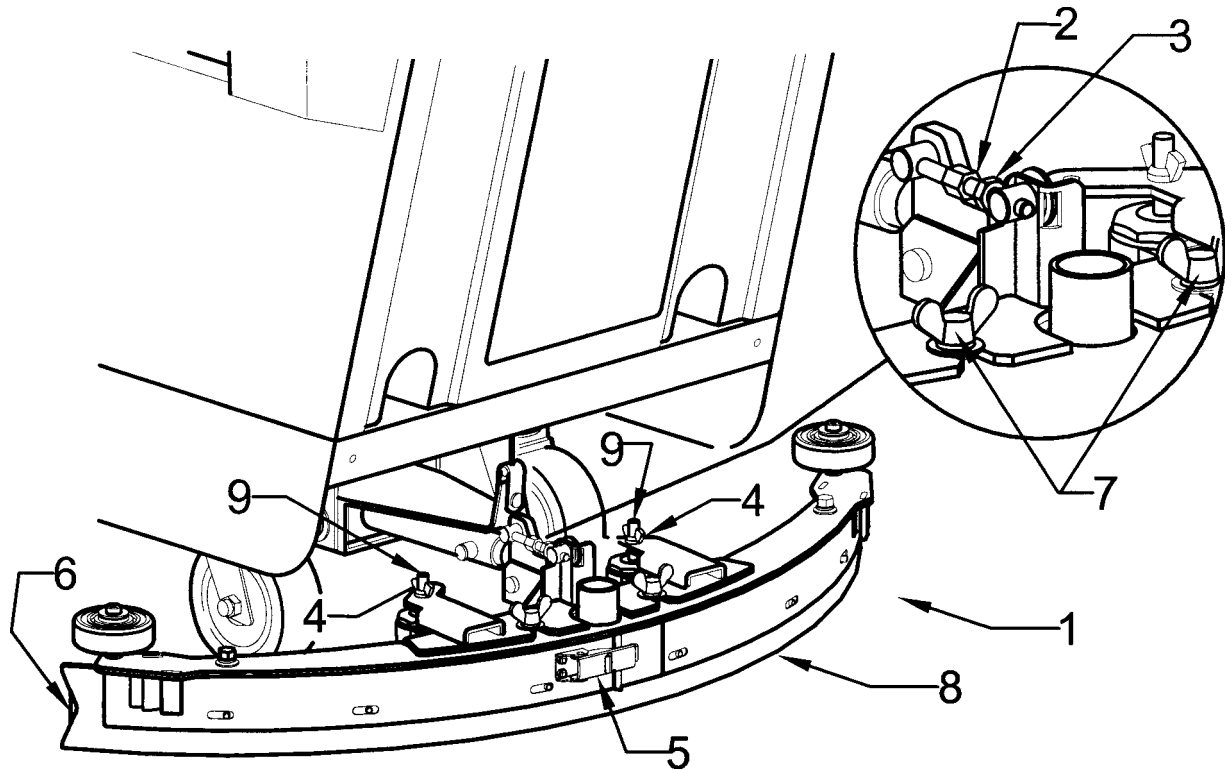


AUTO SCRUBBER BRUSH DESCRIPTION

TYPE	DESCRIPTION	DURABILITY*	COLOR	COMPARISON TO PADS	RECOMMENDED USE
Bassine	Natural Fiber	Short	DarkBrown	Red	Light duty general cleaning, acid etching
Nylon	Nylon	Medium	Black	Tan/Red	General cleaning & scrubbing vinyl floors, ceramic tile & concrete floors
Dyna-Scrub	Nylon impregnated with 500 Grit Silicon Carbide Fine Bristle, Dense Fill	Long	Light Blue	Red	General scrubbing, vinyl tile, ceramic tile, epoxy floors, urethane finish, uneven concrete floors
Power-Scrub	Nylon impregnated with 120 Grit Silicon Carbide Fine Bristle, Dense Fill	Long	Rust	Red/Blue	Moderate aggressive scrubbing, tile floors concrete floors
Poly-Grit	Nylon impregnated with 80 Grit Silicon Carbide Coarse Bristle	Long	Green	Brown/Black	Aggressive stripping and scrubbing, tile floors, unfinished concrete floors
Strata-Grit	Nylon impregnated with 46 Grit Silicon Carbide Coarse Bristle	Long	Dark Blue	Black	Heavy duty stripping/scrubbing unfinished concrete

* Durability is dependent on floor surface, chemicals used and proper care.

SQUEEGEE ADJUSTMENTS



The squeegee set-up is pre-adjusted at the factory. Adjustments may be required to get optimum performance for different floors and conditions.

1. **Ensure that the scrubber is on a relatively flat surface. Turn on the main power switch and raise the scrub head assembly off the floor. Set the squeegee/ vacuum switch to the automatic mode.**
2. Turn the speed control knob counter-clockwise to the low speed position. Squeeze the forward control lever to lower the squeegee (item 1) to the floor. Move the machine one or two feet forward to check the rear squeegee blade (item 8) for uniform deflection to the floor.
3. If uneven deflection or lay is evident, minor adjustments may be necessary to avoid streaking and uneven wear on the blade.
4. To correct this, loosen the wing jam nut (item 4) in order to adjust the caster height. If the squeegee blade is deflecting too much, the casters need to be lowered to control the down pressure. Lower the caster by turning the exposed threaded stem (item 9) on the caster clockwise. Make the adjustment a few turns at a time.
5. Repeat step 2.
6. If the blades are not deflecting enough, raise the caster by turning the stem counter-clockwise to adjust the caster height to allow more down pressure on the squeegee. Repeat Step 2.
7. Make sure that there is an even deflection on the entire length of the rear blade. Adjust the castors and retighten the wing jam nuts to lock the caster setting in place.
8. Pitch adjustment is necessary if the outer ends on the squeegee blade does not contact the floor and there is too much deflection in the middle area or if the outer ends are over deflected and there is no contact in the middle.
9. To adjust pitch, lower the squeegee to the floor. Loosen the lock nut (item 3) in the turnbuckle assembly. Turning the turnbuckle (item 2) clockwise or counterclockwise controls the forward and backward pitch of the squeegee. Having the rear blades deflected uniformly along its entire length is the desired setup.
10. Repeat Step 2 until the desired setup is achieved.
11. In certain applications where a non-slotted front wiper blade (item 6) is needed, detach the squeegee assembly by loosening the wing bolts (item 7). Unlock the clamp on the front squeegee to release the straps and flip the blade over to the non-slotted side. Reattach straps and lock the clamp back in place.
12. You can also easily replace the rear blade by unlatching the latch (item 5) and removing the straps by sliding them off the assembly.

OPERATING INSTRUCTIONS

1. Filling: Fill the solution tank with the desired amount of water and add liquid cleaning solution to the proper dilution ratio. **DO NOT USE** powdered cleaning chemicals. Powders are unlikely to dissolve thoroughly, resulting in clogging the in-line solution filter. This can reduce or stop water flow to the brush.
2. Close lid.
3. Turn on main power switch (Refer to Page 3 #15).
4. Adjust main speed control #14 to full counter-clockwise position.
5. Lower brush assembly (ref. page 3 #11) using switch. Brushes will not come on until forward #17 or reverse #9 lever are pulled. Brushes will remain on for 3 to 5 seconds after levers are released. Adjustments to brush pressure can be made by depressing switch #11 and reading brush pressure gauge #18.
6. Squeegee Control/Vacuum. Switch #13 has two positions one is for transport/ double scrubbing, when the switch is in this position the squeegee will raise and the vacuum will turn off. With the switch in automatic mode the squeegee will automatically lower in forward movement of the machine and vacuum will turn on. When the machine is reversed the squeegee will automatically raise and the vacuum motor will turn off.
7. Solution Control #2. The solution lever is a mechanical cable that opens the solution valve. This lever must be moved to the full on position then decrease to desired flow to operate properly.

AUTOMATIC PARKING BRAKE OPERATION (CE Only):

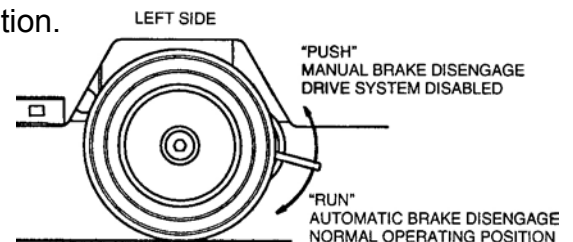
Brake lever located behind left wheel.

Run Mode - Normal operation; Brake lever in down position.

- When the power is turned off the brake is automatically engaged.
- When the power is turned on the brake is automatically disengaged and the drive system is enabled.

Push Mode - Machine inoperable; Brake lever in up position.

- Brake is manually disengaged.
- Power is shut off to the drive system.



MAINTENANCE:

Daily

1. Clean float assembly & squeegee blades. Vac filter.
2. Recharge batteries (check battery acid levels before and after charging).

Monthly

1. Check wear on squeegee blades.
2. Grease rear wheels.
3. Grease pivot points on brush motor assembly.

MAINTENANCE OF MACHINE

VACUUM MOTOR

Motor brushes can be replaced with Brush Set, Part No. 741008. Brushes should be replaced only once. More than once brush replacement will cause very high current consumption. This undue current consumption lowers overall machine performance and is not in the best interest of economical machine use.

CARBON BRUSHES IN DRIVE MOTOR

Inspect these brushes once every 18 months or 720 hours.

The brushes can now be inspected by removing the brush caps near the end of the drive motor. Examine all four brush lengths; if the back end of a brush is even with the edge of the brush holder or shorter, the brush must be replaced. Replace with Brush Set, Part No. 744155. When installing new brushes, also inspect commutator for pits and/or excessive wear. If it is in poor condition, replace drive motor with Part No. 744154.

CARBON BRUSHES IN BRUSH DRIVE MOTORS

Inspect these brushes once every six months or 360 hours.

Remove scrub head assembly. Examine brush lengths; if the back end of brush is even with the edge of the brush holder or shorter, the brush must be replaced. Replace with Part No. 833474. When installing new brushes, also inspect commutator for pits and/or excessive wear. Replace motor with Part No. 742714 if commutator is in poor condition.

LUBRICATION

1. Grease casters once every week (two fittings per caster) or 15 hours.
2. Oil all moving parts such as hinges and pressure points once every month or every 60 hours.

SQUEEGEE RUBBERS

When the thick rear squeegee rubber is damaged or worn excessively, it will cause streaking and poor solution pickup. Extended rubber life can be obtained by reversing it, provided it is not torn or otherwise damaged.

TANKS

At the end of a day's work (or work cycle, both the vacuum and solution tanks should be drained and flushed with warm water.

Once a week or 15 hours the vacuum tank should be cleaned of settled debris. This can be done by lowering the drain hose and washing out the debris.

BATTERIES (956720, 956740)

Periodically remove batteries from machine. Clean batteries, battery tray, and battery compartment with a solution of baking soda and water. Check all battery cables and wiring for signs of damage or wear. Replace as needed. Check battery fluid level each charge. Check electrolyte with hydrometer every 15 hours.

TROUBLE SHOOTING

1. Inefficient scrubbing - floors are smeared in appearance.

Solution: Use proper type and correct amount of detergent. Replace worn or damaged scrub attachments. Increase force on scrubbing head.

2. Squeegee streaks.

Solution: Check rear squeegee rubber for imbedded objects, clean; reverse, or replace if worn or damaged. Make sure scrub solution is being fed onto brush properly. Use more scrubbing solution. Replace well-worn scrubber attachments.

3. Odor development.

Solution: Inspect and clean thoroughly the vacuum tank, solution tank, squeegee, vacuum motor, vacuum hose. **NOTE:** Super Staph-Trole 256 disinfectant cleaner can be helpful in reducing odors.

4. Vacuum not picking up.

Solution: Water lift should be 60-65" with fully charged batteries. Check seals around vacuum motor and hose connections. Check vacuum tank drain hose and plug to insure seal. Check hoses for holes. Clean out squeegee inlet and check squeegee rubbers for severe wear. Make sure solution is properly feeding into scrubhead attachments. Clean and/or repair vacuum motor.

5. Charger malfunction.

Solution: Consult maintenance and repair data contained in brochure herewith for detailed information. In general, make sure charger is put in upright position when charging - this helps keep unit cool. Do not cover charger when it is in use. Make sure connectors on inlet and outlet cords are not broken. Check AC input voltage - it should be 110 volts, 120 volts, maximum. Replace faulty fuses, ammeter, timer, or other components, when necessary.

6. Use cycle too short.

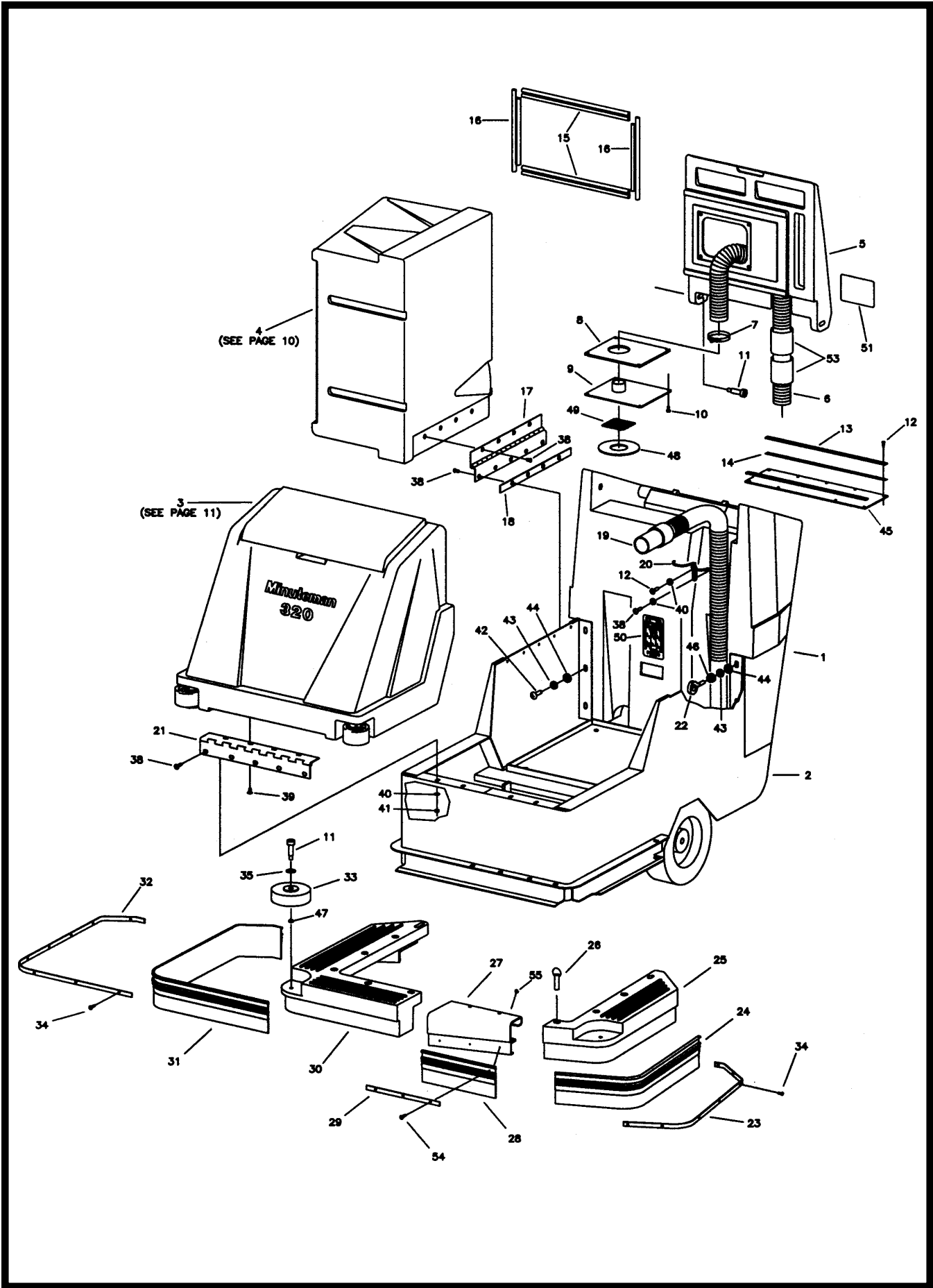
Solution: Check voltage on batteries after full charging; output voltage should be 43-45 volts with specific gravity at 1.260-1.265. Check battery electrolyte level. Check for loose or corroded battery leads and connections. Replace batteries that will not hold a charge. Lubricate casters. Reduce scrubbing pressure. Check brushes on motors, especially on vacuum motor. Replace brushes on motors when needed. Test charger for output, it may need repair.

7. Motors will not start or run.

Solution: Check battery leads and connection for corrosion and looseness; correct if required. Check switches for proper contacting; replace if required. Check motor brushes; replace brushes or motors if required.

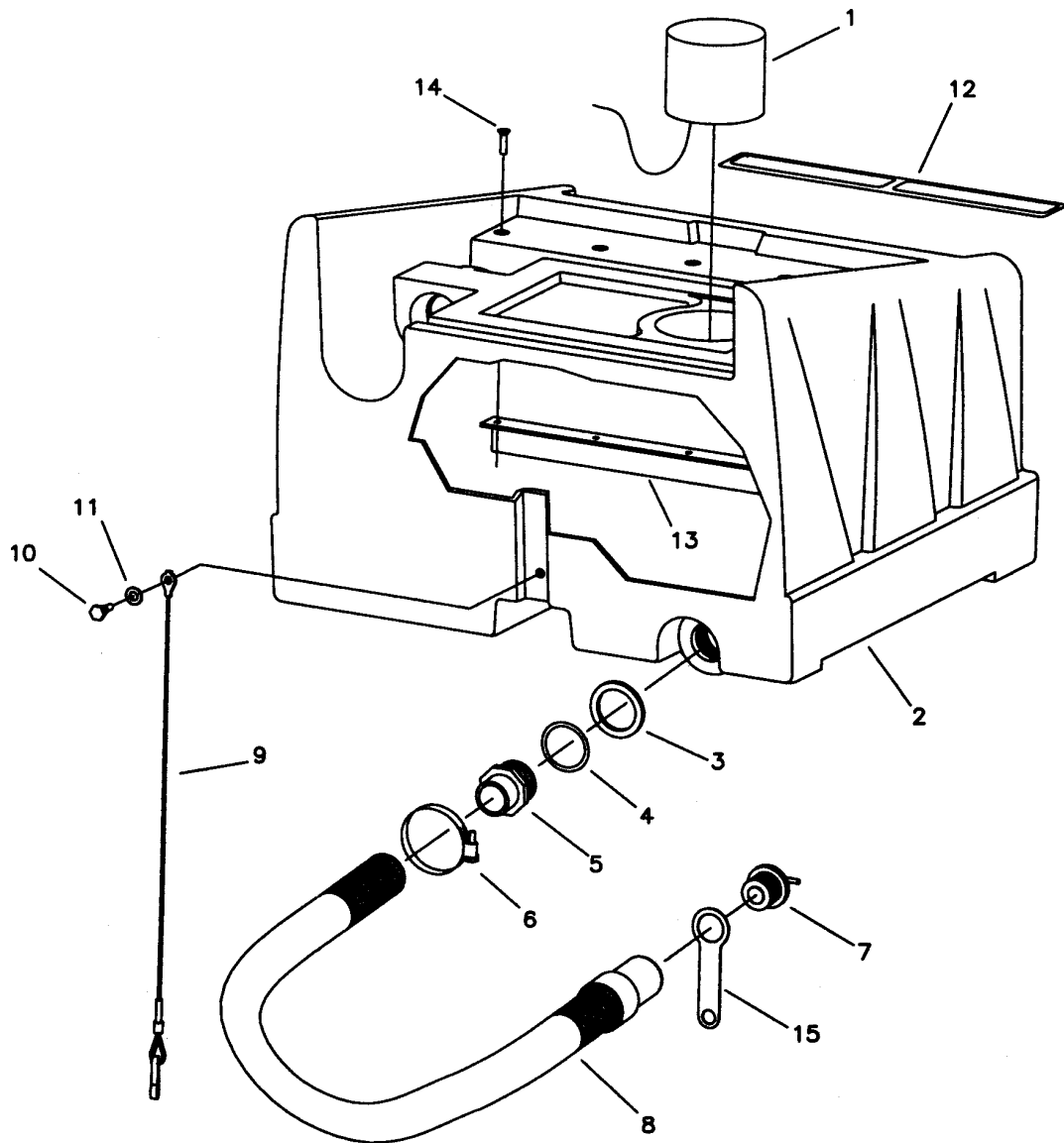
8. Speed control does not function.

Solution: The speed control has built-in protection to guard against reversed connections, check battery connections. Machine locked in high or low speed. Inspect entire speed control for burn marks of components that have broken. These would be caused by a direct short in the circuit. Replace entire control as needed.



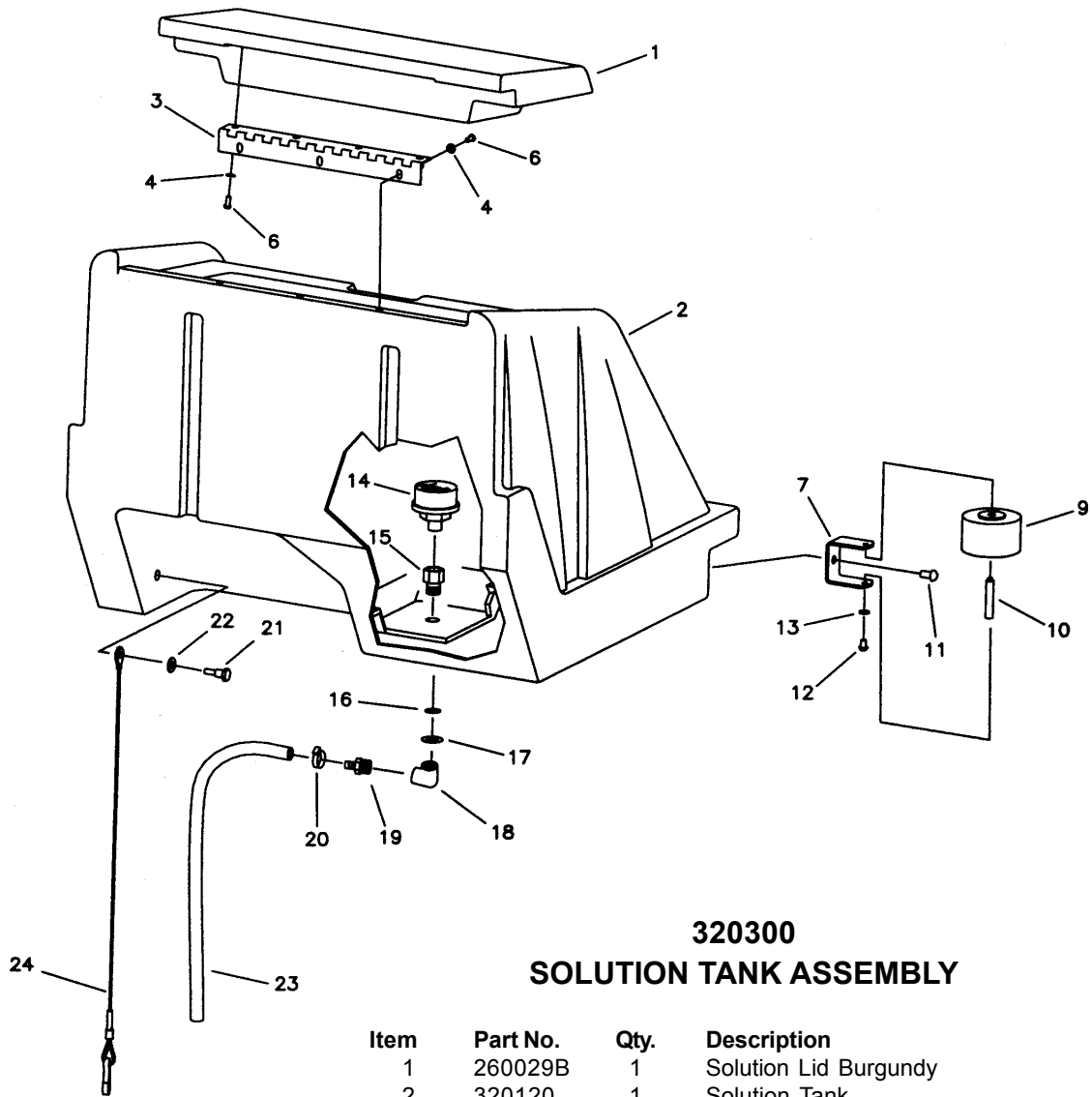
Parts List

Item	Part No.	Qty.	Description
1	320122	1	Console 320 Char Grey
2	320700	1	Mainframe Minuteman 320
3	320300	1	Solution Tank Assembly
4	320200	1	Recovery Tank Assembly
5	320146B	1	Recovery Lid 320 Burgundy
6	320220	1	Vacuum Hose Assy.
7	260203	1	Hose Clamp
8	320222	1	Gasket
9	320178	1	Water Shut-Off Plate
10	712540	7	SCR-MC 10-24 x .37 SS TH
11	712102	4	Bolt-Shoulder 1/2 x 1.50
12	711161	11	SCR-HI/LO 10 x 5/8
13	260170	2	Retainer Flap
14	760263	2	Foam Tape 16.50"
15	320239	2	Lid Gasket Long
16	260157	2	Lid Gasket Short
17	320145	1	Recovery Tank Hinge
18	320144	1	Backing Strap
19	450090	1	Recovery Hose Assembly
20	320208	1	Retaining Hook
21	260087	1	Hinge
22	712086	1	5/16 Wire Eyebolt
23	320224	1	Skirt Retainer - Left Side
24	320231	1	Rubber Skirt - Left Side
25	320124	1	Plastic Skirt - Left Side
26	320234	4	Skirt Pin
27	320235	1	Center Skirt Weldment
28	320232	1	Rubber Skirt - Center
29	320227	1	Skirt Retainer - Center
30	320123	1	Plastic Skirt - Right Side
31	320230	1	Rubber Skirt - Right Side
32	320223	1	Skirt Retainer - Right Side
33	320013	2	Wheel, Bumper 4 x 1 1/2
34	711118	16	SCR-ST-A 10 x .75 SS
35	711592	2	WSR-Nylon .5 x 1.06 x .06
36			
37			
38	712565	20	SCR-MC 1/4-20 x .75 SS
39			
40	711504	6	WRS-Flat 1/4 SS
41	712667	4	Nut-Nyloc 1/4-20
42	710196	5	SCR-MC 5/16 - 18 x .75 STPL
43	711545	6	WSR-Helical 5/16
44	711506	6	WSR-Flat 5/16 ST PL
45	320244	1	Lid Flap
46	711379	1	Nut-Flanged Wizz 5/16 - 18
47	832015	2	Spacer .38 x .50 x .14
48	260294	1	Gasket 2.0 x 4.0 x .125
49	260212	1	Screen Filter
50	715628	1	Battery Decal
51	715619	1	Warning Decal
52			
53	260192	2	Sleeve
54	712536	3	SCR-MC 10-24 x .62 SS
55	712638	3	Nut Hex 10-24 SS Nyloc



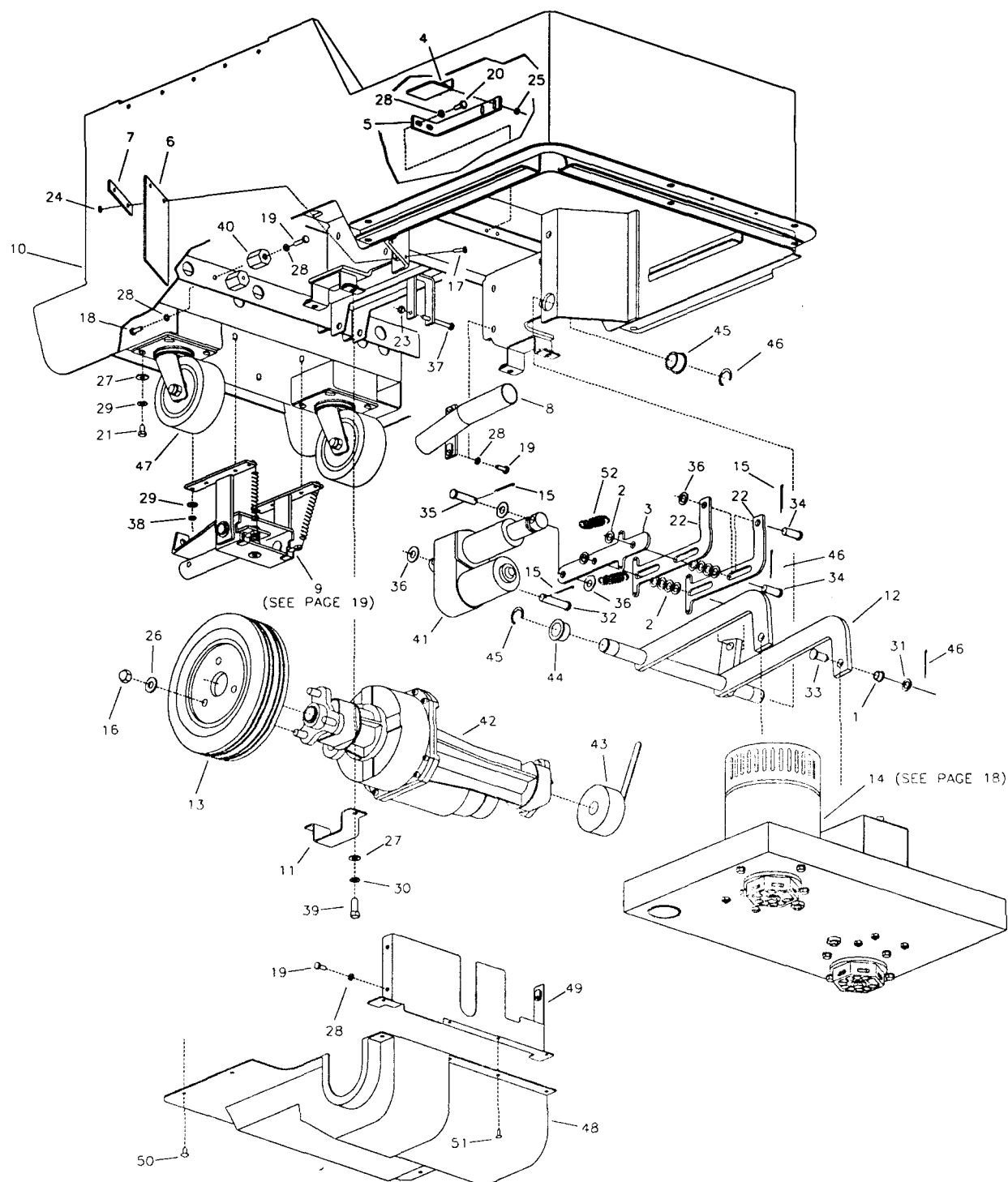
**320200
RECOVERY TANK ASSEMBLY**

Item	Part No.	Qty.	Description
1	260156	1	Foam Float Assembly
2	320121	1	Recovery Tank
3	828970	1	WSR-Neop 1.81 x 2.37
4	450081	1	WSR-SS 1.908 x 2.41 x .03
5	760220MCH	1	1.5 Adaptor Gray
6	260203	1	Hose Clamp Wire Grip
7	833316	1	Drain Plug 1 1/4
8	260202	1	Drain Hose Assembly
9	210020	1	Lift Cable Ass'y
10	712575	1	5/16-18 x .75 HH SS
11	711506	1	WSR-Flat 5/16
12	715620	1	Decal "Maintenance Schedule"
13	320009	1	Backing Angle
14	712563	5	SCR-MC 1/4-20 x 1.00 FH
15	320269	1	Strap, Drain Plug Retaining



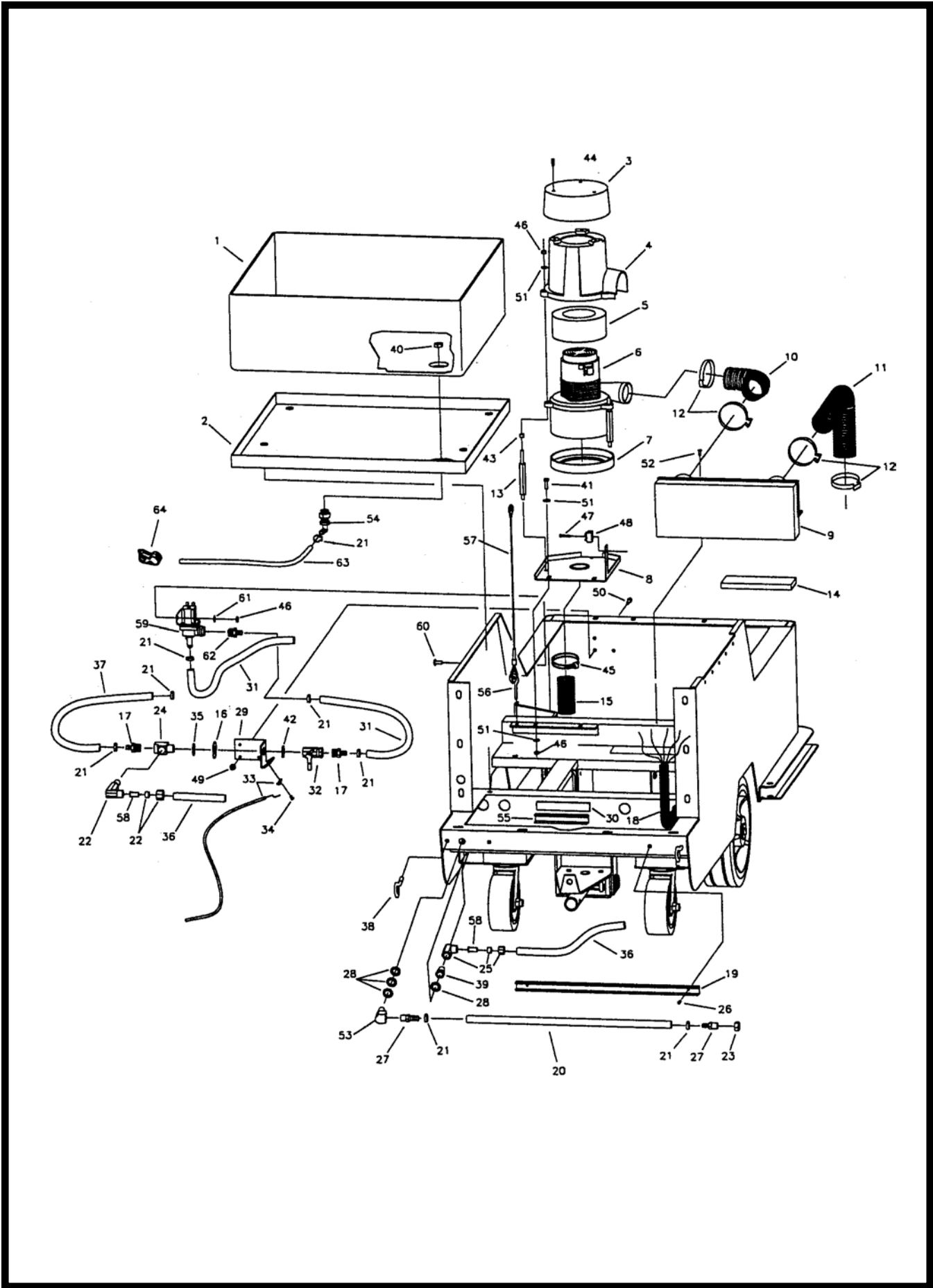
320300 SOLUTION TANK ASSEMBLY

Item	Part No.	Qty.	Description
1	260029B	1	Solution Lid Burgundy
2	320120	1	Solution Tank
3	450021	1	Hinge
4	712764	7	WSR-SS #10
5			
6	712540	7	SCR-MC 10-24 x .37 SS TH
7	832949	2	Bracket - Bumper
8			
9	832896	2	Guide Wheel
10	833254	2	Bumper Wheel Axle
11	710985	2	SCR-SC 3/8-16 x .62
12	710353	2	SCR-MC 10-32 x .37
13	711553	2	WSR-Internal Lock 10
14	130118	1	Solution Strainer M3-40
15	210409	1	Adapter Brass 3/8 FPT x 3/8 MPT
16	210414	1	O-Ring
17	711513	1	WSR-Flat .69 x 1.06 x .03 SS
18	700028	1	Fitting Brass 90 3/8FPT
19	320265	1	Fitting Brass DBL 3/8MPT x 3/8BARB
20	450076	1	Crimp Clamp SS 185R
21	712575	1	5/16-18 x .75 HH SS
22	711506	1	WSR-Flat 5/16
23	320252	1	Hose, Solution Tank
24	320246	1	Solution Tank Cable Assembly



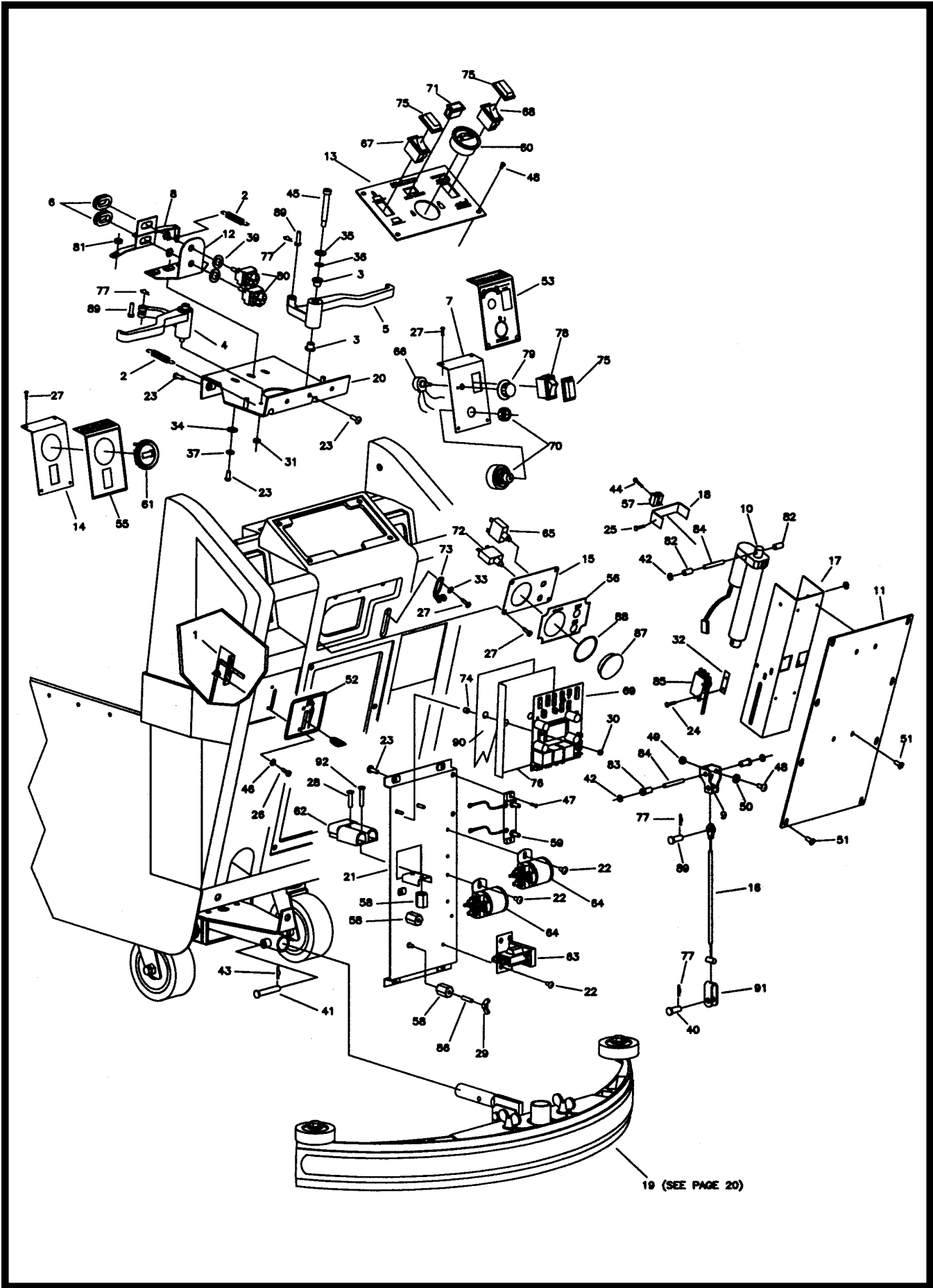
Parts List

Item	Part No.	Qty.	Description
1	260041	2	1/2" Oilite Bushing
2	711579	10	WSR-Flat .56 x 1.00 x .100
3	320732	1	Link, Brush Press, Adj.
4	320174	1	Switch Bracket
5	320175	1	Bracket Arm
6	320213	1	Splash Guard
7	320214	1	Retainer Strap
8	320236	1	Vacuum Pipe Weldment
9	320450	1	Squeegee Mech. Asm. Comp.
10	320700	1	Mainframe Weldment
11	320705	2	Transaxle Bracket, Lower
12	320735	1	Lift Weldment
13	320731	2	Wheel 10 x 2.75, 3 Bolt
14	320750	1	Scrubhead Assembly Complete
15	380-532-20	3	Cotter Key
16	670070	6	Acorn Nut 1/2-20
17	710180	2	SCR-MC 1/4-20 x .75
18	711202	2	BLT-HH 1/4-20 x .50
19	711203	10	BLT-HH 1/4-20 x 5/8
20	711206	2	BLT-HH 1/4-20 x 3/4
21	711228	8	BLT-HH 5/16-18 x .75
22	320733	2	Link, Spring Adjuster
23	711373	1	Nut-Nyloc 1/4-20
24	711425	2	Nut-Flanged Wizz 1/4-20
25	711427	2	Nut-Flanged Wizz 10-24
26	711509	6	WSR-Flat 1/2
27	711515	12	WSR-Flat .38 x .82 x .05
28	711544	16	WSR-Helical 1/4
29	711545	12	WSR-Helical 5/16
30	711546	4	WSR-Helical 3/8
31	711594	2	WSR-Flat .56 x .88 x .03
32	711669	1	Clevis Pin 1/2 x 2.25
33	711672	2	Clevis Pin 1/2 x 2
34	712108	3	Clevis Pin 1/2 x 1.25
35	712109	1	Clevis Pin 1/2 x .1.75
36	712310	4	WSR-Flat .52 x .87 x .06
37	712574	1	BLT-SS Carr 1/4-20 x 3.00
38	712680	4	5/16-18 Nut SS
39	713042	4	BLT-HH 3/8-16 x 1.00 #5
40	740132	2	Insulator
41	740802	1	Actuator
42	744151	1	Transaxle 18" 36V
43	744151-1	1	Brake, 320 Trans CE Only
44	809236	2	1 Oilite Flanged Bushing
45	809237	2	Retaining Ring
46	809311	4	Cotter Pin
47	827110	2	Caster
48	320711	1	Transaxle Cover
49	320712	1	Splash Guard
50	710178	4	SCR-MC 1/4-20 x .50 STPL
51	712534	4	SCR-MC 10-24 x .50 SS
52	320408	2	Spring, Extension



Parts List

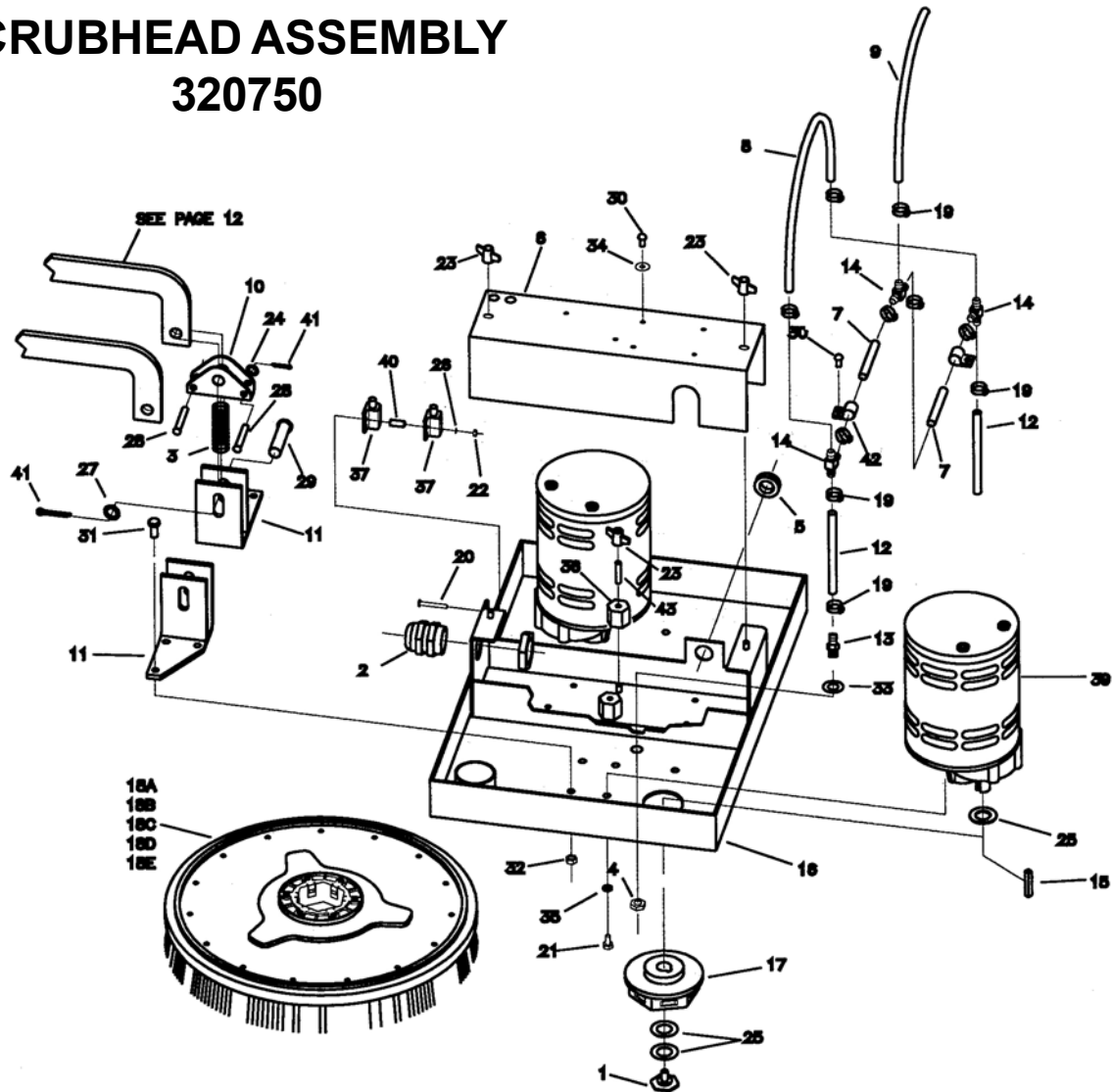
Item	Part No.	Qty.	Description
1	320215	1	Battery Tray Liner
2	320118	1	Battery Tray
3	840011	1	Vac Motor Cover, Top
4	840012	1	Vac Motor Cover, Bottom
4A	840012CTD	1	Vac Motor Cover, Bottom (CE)
5	380064	1	Foam Ring
6	740228	1	Vac Motor 36V 3-Stage
7	290017	1	Molded Gasket
8	320119	1	Vac Motor Platform
9	320185	1	Exhaust Manifold Weldment
10	833191	1	Hose Rubber Flex 2 x 9
11	320216	1	Hose Rubber Flex 2 x 20
12	829067	4	Crimp Clamp 560R
13	833265PLT	3	Stand-Off 1/4-20
14	809412	1	Gasket Support
15	320241	1	Vacuum Hose Short
16	828975	1	WSR-Neo .75 x 1.5 x .09
17	320265	2	3/8 Dubl-Barb x 3/8 MPT
18	742001	1	Wire Harness
19	430120	1	U-Channel
20	260181	1	Drain Hose 1/2 x 18
21	450076	9	Crimp Clamp SS 185R
22	420009	1	Hose Fitting (Male Elbow)
23	430114	1	Nylon Cap 1/4 FPT HC4
24	210408	1	3/8 Brass Tee
25	420065	1	Hose Fitting (Female Elbow)
26	711124	2	SCR-ST 10 x .38 NI
27	828952	3	3/8 Barb x 1/4 MPT
28	712760	4	WSR-Flat .56 x 1.00 SS
29	210370	1	Solution Valve Bracket
30			
31	320253	2	Valve Solution Hose
32	809413MCH	1	Solution Valve
33	210045	1	Solution Control Cable
34	711124	1	SCR-ST-B 10 x .37 NI
35	711512	1	WSR-Flat .75 x 1.37 x .08
36	320218	1	Clear Hose, Dump
37	320252	1	Wire Hose, Supply
38	712086	2	5/16 Wire Eyebolt
39	830708	1	Reducer 3/8 x 1/4
40	320272	2	Nut-PLS 1/4 NPT
41	712565	2	SCR-MC 1/4-20 x .63 SS
42	711517	1	WSR-Flat .77 x 1.37 X .03
43	762073	3	Spacer
44	711106	3	SCR-ST-A 10 x .75
45	260203	2	Hose Clamp Wire Grip
46	712667	7	Nut Nyloc 1/4-20 SS
47	711128	1	SCR-ST 8 x .63
48	832996	1	Terminal Block
49	712638	3	Nut-Hex 10-24 SS Nyloc
50	712537	3	SCR-MC 10-24 x .75 SS TH
51	711505	4	WSR-Flat 1/4
52	72-416-10	2	SCR-TF 1/4-20
53	831306	1	Street 90° 1/4 x 1/4
54	320271	1	90° Nozzle Fitting
55	809444	1	Clip Cord
56	712026	1	1/4 Wire Eyebolt
57	320246	1	Solution Tank Cable
58	420011	2	Sleeve Insert
59	740494	1	Water Valve 36VDC
60	712565	2	SCR-MC 1/4-20 x .62 SS
61	711504	2	WSR-Flat 1/4 ID SS
62	320264	1	3/8 Dubl-Barb x 1/4 MPF
63	260224	1	Drain Hose 1/4 x 18 Silicone
64	320273	1	Hose Shut-Off Clamp



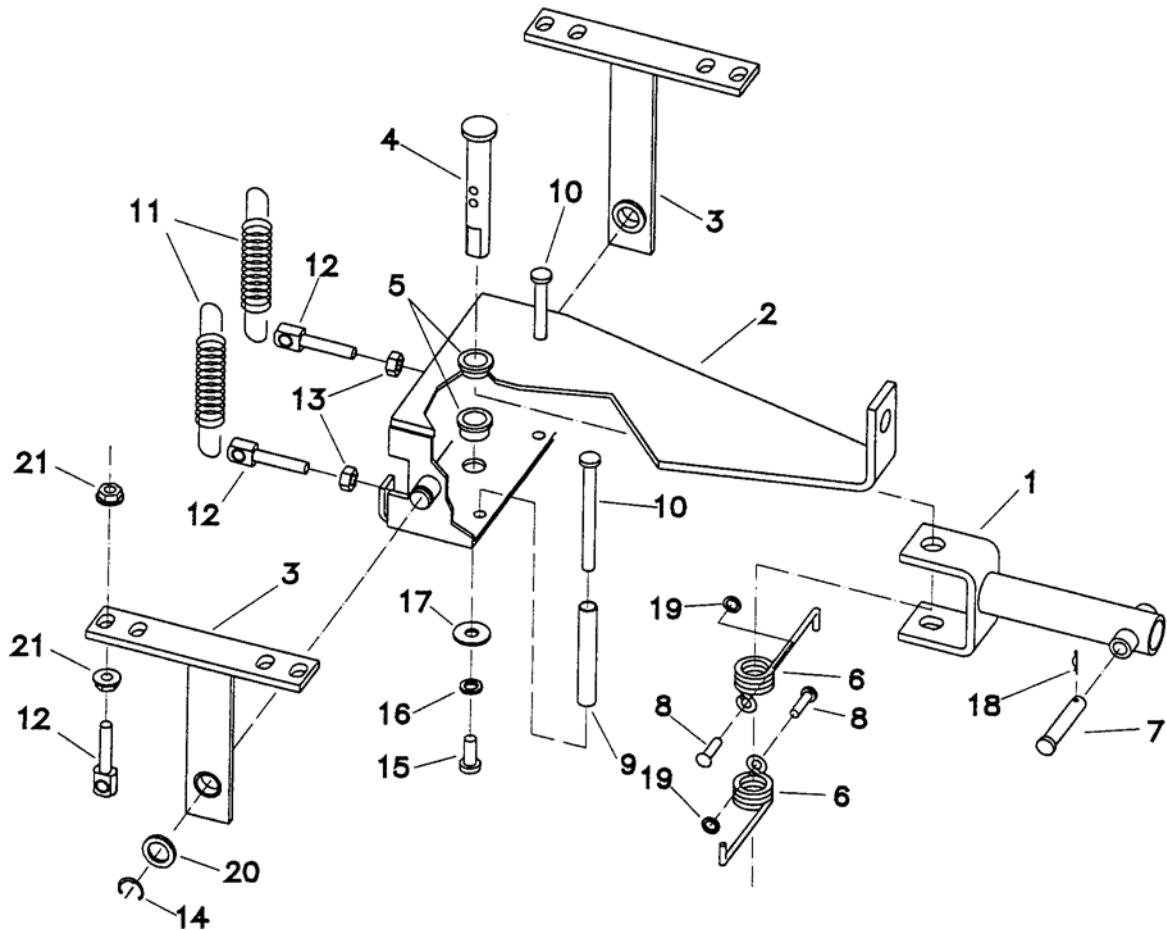
Parts List

Item	Part No.	Qty.	Description	Item	Part No.	Qty.	Description
1	210045	1	Cable Solution Control	47	712536	2	SCR-MC 10-24 x .62 STPL
2	210413	2	Return Springs	48	712540	6	SCR-MC 10-24 x .37 TH
3	260066	4	3/8 Oilite Flanged Bushing	49	712638	1	Nut-Hex 10-24 SS Nyloc
4	260069MCH	1	Left Handle	50	712764	1	WSR-SS #10
5	260070MCH	1	Right Handle	51	712822	12	SCR-MC 10-24 x .50 TH
6	260274	2	Rubber Grommet	52	715604	1	Decal Solution
7	260255	1	Speed Control Bracket	53	715608	1	Forward Decal
7CE	260255CE	1	Speed Control Bracket, CE	54			
8	320147	1	Switch Actuator Weldment	55	715611	1	Reverse Decal
9	320161	1	Clevis, Squeegee Cable	56	715617	1	Circuit Breaker Decal
10	320012	1	Linear Actuator - Squeegee	57	740036	1	Terminal Block, CE
11	320176	1	Back Panel	58	740132	3	Insulator Glastic
12	320187	1	Dual Switch Bracket	59	740134-1	1	Shunt w/o Wires
13	320202CESP	1	Dashboard, CE Screen Printed	60	740135	1	Meter, 100A DC - Pressure
14	320203	1	Battery Gauge Bracket	61	740136	1	Battery Condition
15	320207	1	Circuit Breaker Face Plate	62	740147	1	Connector
16	320211	1	Cable, Squeegee Cable	63	740242	1	Contactors 36V
17	320011	1	Actuator Support	64	740243	2	Solenoid 36V
18	320247	1	Terminal Block Bracket, CE	65	740247	1	30 amp Circuit Breaker
19	320297	1	Squeegee Assembly Comp.	66	740368	1	Potentiometer Assembly
20	320706	1	Lever Mounting Bracket	67	740800CE	1	Rocker Switch Momentary CE
21	320726	1	Electrical Panel	68	740801CE	1	Rocker Switch CE
22	710178	6	SCR-MC 1/4-20 x .50	69	740803-1	1	Speed Control 36V
23	710180	15	SCR-MC 1/4-20 x .75	70	741005	1	Key Switch (optional)
24	710207	2	SCR-MC 6-32 x 1.0	71	742010	1	Indicator Light, 36VDC
25	711104	1	SCR-ST-A 10 x .50, CE	72	742266	1	60 amp Circuit Breaker
26	711125	2	SCR-ST-B 10 x .50	73	760286	1	Wire Formed Hook
27	711161	14	SCR-Hi/Lo 10 x .75	74	200340	2	Spacer
28	710383	1	Bolt-HH 1/4-20 x 1.25	75	740811	1	Switch Boot, CE
29	711368	3	Wing Nut 1/4-20	76	805637	1	SCR Insulator
30	711372	2	Nut-Nyloc 8-32	77	809311	4	Cotter Pin 7/64 x 1.0
31	711420	2	Nut-Hex Jam 5/16-18	78	809754	1	Rocker Switch
32	711430	1	Tinnerman Clip	78A	740711CE	1	Rocker Switch, CE
33	711503	2	WSR-Flat 10	79	809874	1	Knob
34	711505	3	WSR-Flat 1/4	80	827060	2	Forward/Reverse Switches
35	711515	2	WSR-Flat .38 x .82 x .05	81	832015	2	Spacer
36	711523	2	WSR-Wave .38 x .68 x .01	82	833277PLT	2	Actuator Bush Plated
37	711544	3	WSR-Helical 1/4	83	833286PLT	2	Actuator Bush Plated
38	711575	1	WSR-Flat .312 x .75	84	833294	2	Actuator Pin
39	711579	2	WSR-Flat .56 x 1.00	85	833329SA	1	Switch, Staggered Action
40	711668	1	Clevis Pin 3/8 x 1.0	86	833638	3	Brass Stud
41	711671	1	Clevis Pin .306 x 2.125	87	833823	1	2" Hole Plug
42	711720	4	Retaining Ring E Ext. .25	88	833824	1	S.S. Washer 2 x 2.43 x .035
43	711808	1	Cotter Pin	89	881002	3	Clevis Pin 5/16 x 1.00
44	712088	1	SCR-Hi/Lo 8-18 x .75, CE	90	260210	1	Moisture Guard for Item 69
45	712100	2	Bolt-Shoulder 3/8 x 2.25	91	320248	1	Clevis, Slotted
46	712320	2	WSR-Nylon .22 x .45 x .04	92	710385	1	SCR-MC 1/4-20 x 1.50

SCRUBHEAD ASSEMBLY 320750

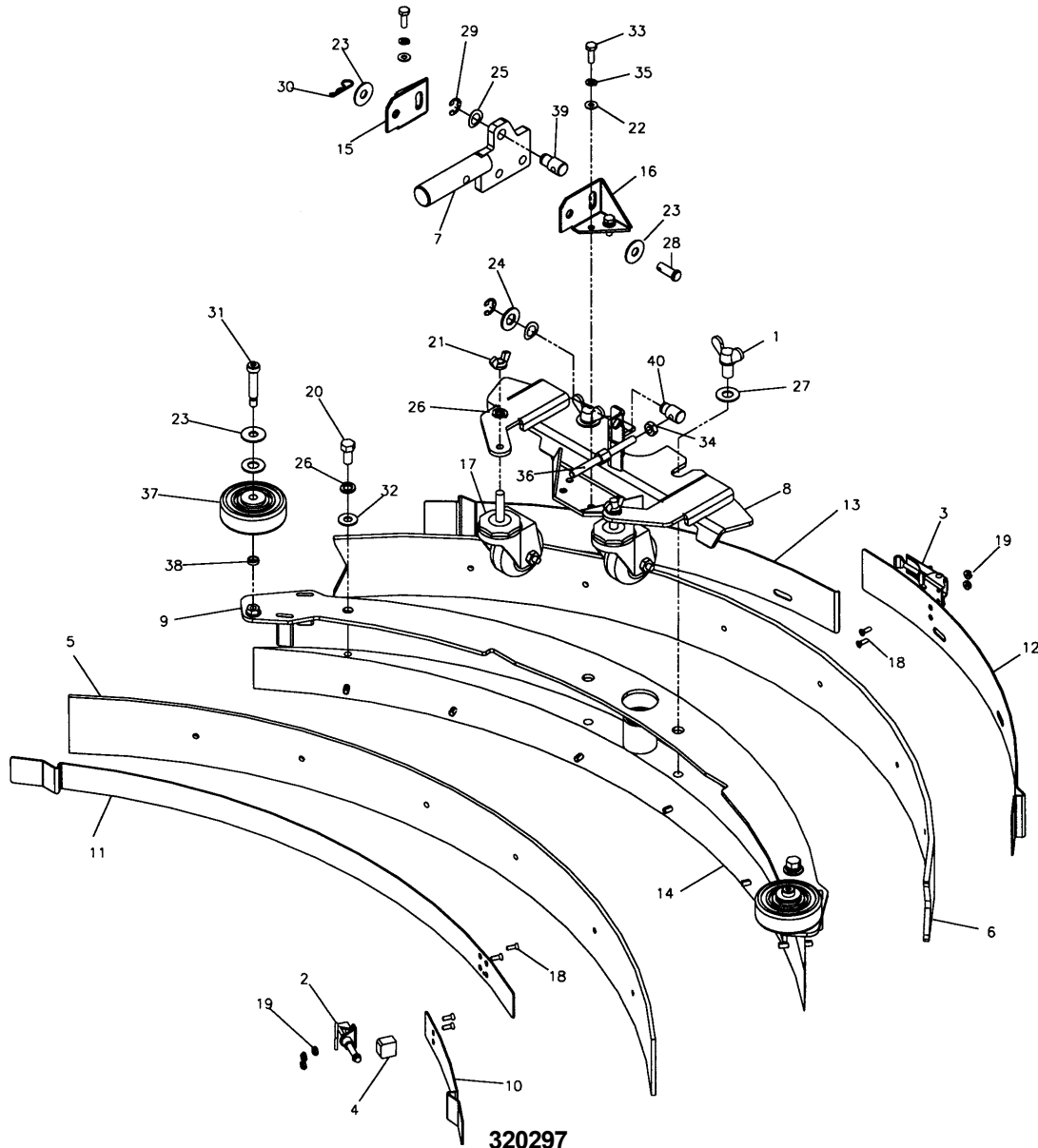


Item	Part No.	Qty.	Description	Item	Part No.	Qty.	Description
1	210066	2	Retainer Bolt	21	710986	8	SCR-SC 3/8-16 x 1.00 ST PL
2	210405	1	Liquid Tight Fitting	22	711304	2	Nut-Hex 8-32
3	260137	2	Compression Spring	23	711368	4	Wing Nut
4	260183	2	Nut-PLS 1/4 NPT	24	711506	4	WSR-Flat, 5/16 ST PL
5	260274	2	Rubber Grommet	25	711517	4	WSR-Flat .77
6	320173	1	Cover	26	711552	2	WSR-Internal Lock #8
7	320250	2	Short Solution Hose	27	711594	2	WSR-Flat .56 x .88 x .03
8	320251	1	By-Pass Hose	28	711671	4	Clevis Pin, .31 x 2.13
9	320253	1	Valve Solution Hose	29	711672	2	Clevis Pin, 1/2 x 2
10	320255	2	Bracket, Spring Support	30	712536	6	SCR-MC 10-24 x .63 SS
11	320258	2	Lift Bracket Weldment	31	712576	6	BLT-HH 5/16-18 x 1.25 SS
12	320259	2	Solution Hose	32	712683	6	Nut 5/16-18 SS Nyloc
13	320264	2	3/8 Dubl-Barb x 1/4 MPT	33	712760	2	WSR-Flat .56 x 1.06 x .04 SS
14	320266	3	3/8 Dubl-Barb Tee	34	712764	4	WSR-Flat 10 SS
15	833621	2	Key 1/4 x 1/4 x 1	35	712769	8	WSR-Helical 3/8 SS
16	320286	1	Motor Pan Weldment	36	740132	2	Insulator
17	430035	2	Drive Hub	37	740282	2	Switch
18A	430034	2	Nylon Brush	38	742121	1	Solenoid Wire Harness
18B	430108	2	Pad Driver	39	742714	2	Motor 36V 1HP
18C	430111	2	Poly-Grit Brush	40	761946	2	Spacer .196 x .312 x .75
18D	430131	2	Bassine Brush	41	809311	6	Cotter Pin
18E	430132	2	Strata-Grit Brush	42	827998	2	P-Clamp
19	450076	10	Crimp Clamp SS 185R	43	833638	2	Brass Stud
20	710036	2	SCR-MC 8-32 x 1.50				



**320450
SQUEEGEE MECHANISM
ASSEMBLY**

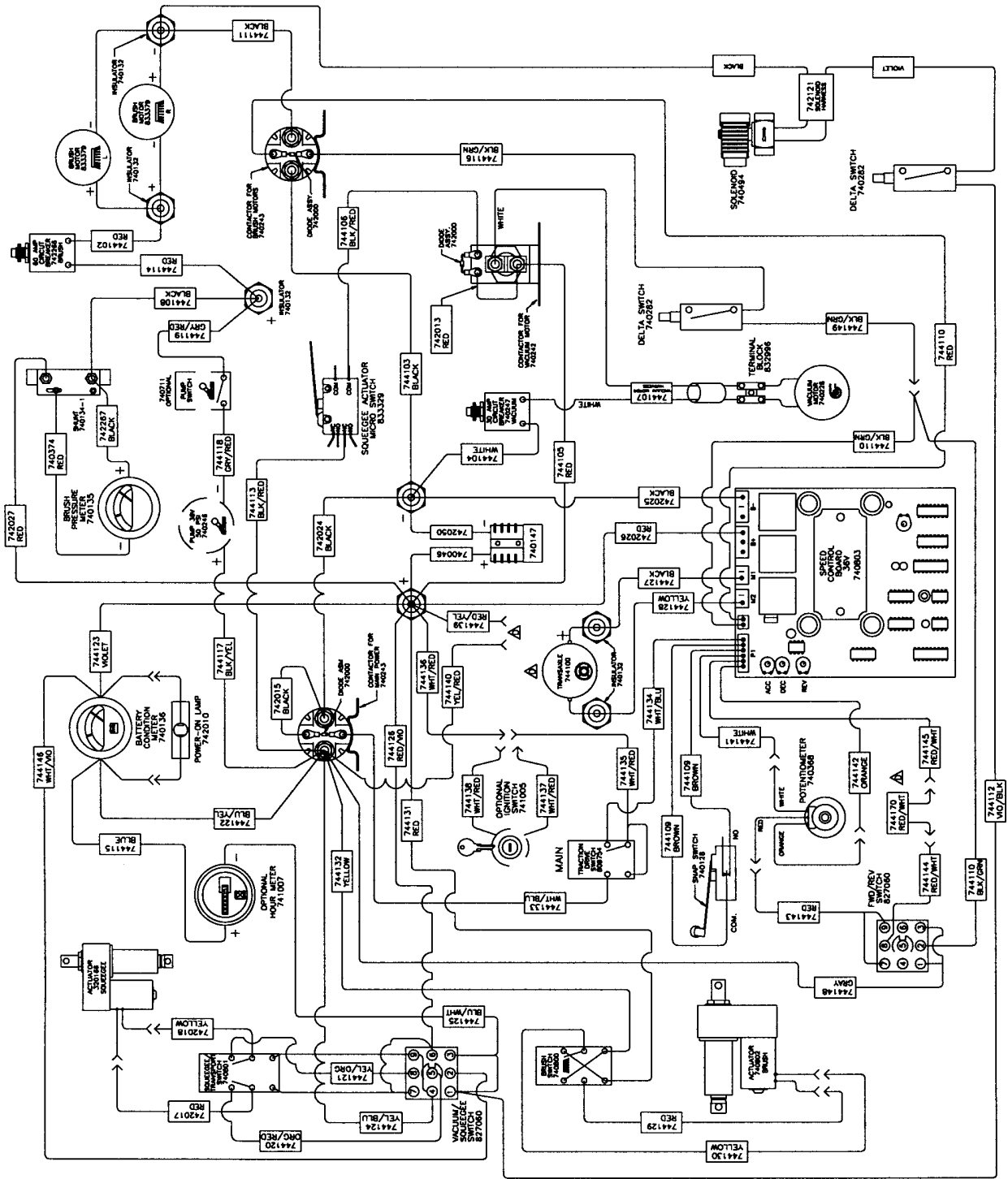
Item	Part No.	Qty.	Description
1	320160	1	Yoke Weldment
2	320162	1	Spring Housing Weldment
3	320008	2	Pivot Bracket Weldment
4	210375	1	Swivel Pin
5	260041	2	1/2 Oilite Bushing
6	210391	2	Torsion Spring SS
7	711671	1	Clevis Pin 5/16 x 2.125
8	712536	2	SCR-MC 10-24 x .62
9	210400	2	Spacer Tube
10	710592	2	SCR-MC 1/4-20 x 2.75
11	430051	2	Return Spring
12	260292	4	Swing Bolt
13	712665	2	Nut-Hex 1/4-20
14	711715	2	3/4 Retaining Ring
15	712562	1	Bolt-HH 1/4-20 x .75 SS
16	712758	1	WSR-Helical 1/4 SS
17	711504	1	WSR-Flat .25 I.D. SS
18	711808	1	Cotter Pin
19	712320	2	WSR-Nylon .22 x .45 x .04
20	711517	2	WSR-Flat .75 x 1.375 x .09 SS
21	711425	4	Nut-Flange Whiz 1/4-20



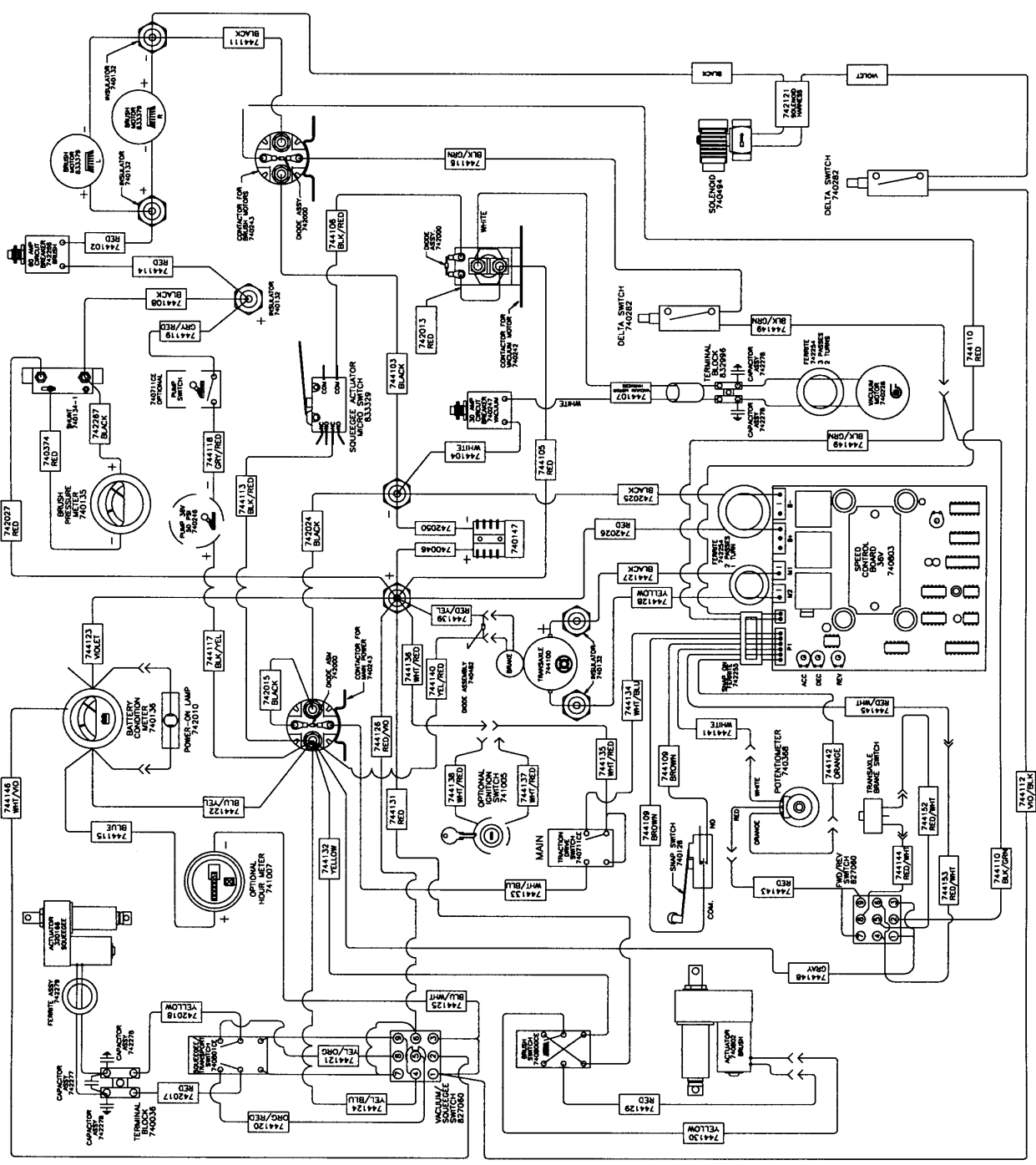
**320297
SQUEEGEE ASSEMBLY COMPLETE**

Item	Part No.	Qty.	Description	Item	Part No.	Qty.	Description
1	220249	2	Wing Bolt 1/2-13 x .75"	21	711367	2	Nut-Wing 3/8-16 ST PL
2	281074	1	Squeegee Toggle Clamp, 2800	22	711504	4	WSR-Flat 1/4 ID SS
3	281075	1	Squeegee Latch, 2800	23	711507	4	WSR-Flat .37 x 1.12 x .06
4	281740	1	Stop Bar	24	711509	1	WSR-Flat 1/2 (.54 x 1.08 x .087)
5	320014	1	Squeegee Front Blade 320	25	711524	2	WSR-Wave .52 x .87 x .01
6	320015	1	Squeegee Rear Blade 320	26	711546	4	WSR-Helical 3/8
7	320154	1	Squeegee Mount Weld't New	27	711592	4	WSR-Nylon .50 x 1.06 x .06
8	320289	1	Sq Mtg Brkt Weldm't	28	711668	1	Cleavis Pin, 3/8 x 1 11-141
9	320293	1	Top Plate Weldment, 320	29	711713	2	Retaining Ring - "E" Type Ext .500
10	320307	1	Strap-Front Stop 320	30	711808	1	Cotter Pin - Hair #13
11	320308	1	Strap-Front Clamp 320	31	712091	2	Bolt-Shoulder 3/8 x 1.50
12	320310	1	Strap-Rear Latch 320	32	712301	2	WSR-Flat .87 x .37 x .06
13	320313	1	Strap-Catch 320	33	712562	4	Bolt-HH 1/4-20 x 3/4 SS
14	320314	1	320 Sq Casting Mchd, New	34	712680	1	Nut-Hex 5/16-18 SS
15	383424	1	Mounting Bracket-Right	35	712758	4	WSR-Helical 1/4 SS
16	383425	1	Mounting Bracket-Left	36	750689	1	Adjustment Stud
17	430325	2	Caster Wheel 3/8"-16 x 1.500	37	808829	2	Wheel, Truck
18	710530	7	SCR-MC 8-32 x .50 BR	38	832015	2	Spacer .38 x .50 x .140
19	711026	5	Nut, Hex 8-32 Nyloc SS	39	762022PLT	1	Nut, Adjusting (LH)
20	711241	2	SCR-Hex 3/8-16 x .75" ZP	40	762257PLT	1	Nut, Adjusting (RH)

WIRING DIAGRAM STANDARD MODEL



WIRING DIAGRAM CE MODEL



LIMITED WARRANTY

Minuteman International, Inc. warrants to the original purchaser/user that this product is free from defects in workmanship and materials under normal use and service for a period of three years from date of purchase. In addition, Minuteman International, Inc. will, at its option, honor labor warranty claims for the first 12 months from date of sale, provided such claims are submitted through and approved by factory authorized repair stations. Minuteman International, Inc. will, at its option, repair or replace without charge, except for transportation costs, parts that fail under normal use and service when operated and maintained in accordance with the applicable operation and instruction manuals.

This warranty does not apply to normal wear, or to items whose life is dependent on their use and care, such as belts, cords, switches, hoses, rubber parts, electrical motor components or adjustments. Parts not manufactured by Minuteman International, Inc. such as engines, batteries, battery chargers, hydraulic pumps, and tires are covered by and subject to the warranties and/or guarantees of their manufacturers. Please contact Minuteman International, Inc. for procedures in warranty claims against these manufacturers.

Special warning to purchaser — Use of replacement filters and/or prefilters not manufactured by Minuteman International, Inc. or its designated licensees, will void all warranties expressed or implied.

A potential health hazard exists without exact original equipment replacement.

All warranted items become the sole property of Minuteman International, Inc. or its original manufacturer, whichever the case may be.

Minuteman International, Inc. disclaims any implied warranty, including the warranty of merchantability and the warranty of fitness for a particular purpose. Minuteman International, Inc. assumes no responsibility for any special, incidental or consequential damages.

This limited warranty is applicable only in the U.S.A. and Canada, and is extended only to the original user/purchaser of this product. Customers outside the U.S.A. and Canada should contact their local distributor for export warranty policies. Minuteman International, Inc. is not responsible for costs or repairs performed by persons other than those specifically authorized by Minuteman International, Inc. This warranty does not apply to damage from transportation, alterations by unauthorized persons, misuse or abuse of the equipment, use of non-compatible chemicals, or damage to property, or loss of income due to malfunctions of the product.

If a difficulty develops with this machine, you should contact the dealer from whom it was purchased.

This warranty gives you specific legal rights, and you may have other rights which vary from state to state. Some states do not allow the exclusion or limitation of special, incidental or consequential damages, or limitations on how long an implied warranty lasts, so the above exclusions and limitations may not apply to you.

Minuteman[®]

World Headquarters
Minuteman International, Inc.
111 South Rohlwing Road
Addison, Illinois 60101

(630) 627-6900
FAX (630) 627-1130

Minuteman Canada, Inc.
2210 Drew Road
Mississauga, Ontario
L5S 1B1

(905) 673-3222
FAX (905) 673-5161

988311
Printed in U.S.A.