



WINDTUNNEL™ S U P R E M E

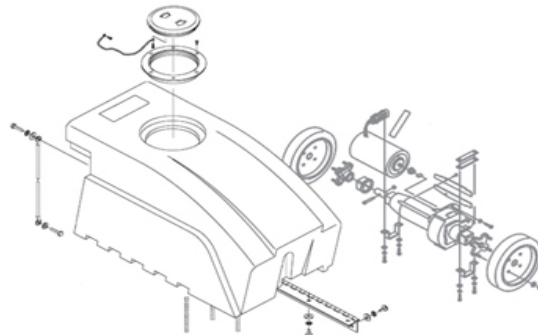
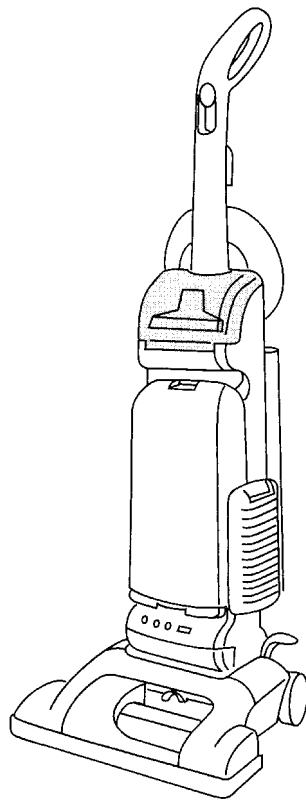
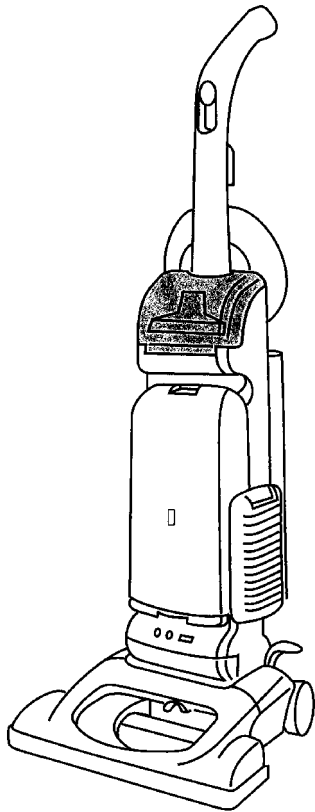
6

SECTION CONTENTS

<u>MODEL No.</u>	<u>PAGE No.</u>
U5458-900	6-2 THRU 6-8
U5458-910	6-2 THRU 6-8
U5460-900	6-2 THRU 6-8
U5462-900	6-2 THRU 6-8
U5467-900	6-2 THRU 6-8
U5468-900	6-2 THRU 6-8
U5470-900	6-2 THRU 6-8
U5471-900	6-2 THRU 6-8
U5472-900	6-2 THRU 6-8
U5473-900	6-2 THRU 6-8
U5481-900	6-2 THRU 6-8
U5491-900	6-2 THRU 6-8
U5491-950	6-2 THRU 6-8

MODEL No.

U5458-900
 U5458-910
 U5460-900
 U5462-900
 U5467-900
 U5468-900
 U5470-900
 U5471-900
 U5472-900
 U5473-900
 U5481-900
 U5491-900
 U5491-950



FLOOREQUIPMENTPARTS.COM

* PRICING, SPECIFICATION'S, AND PRODUCT AVAILABILITY ARE SUBJECT TO CHANGE WITHOUT NOTICE. PRICING IS FOB FACTORY, CANTON, OH

* ALL INFORMATION CONTAINED WITHIN THIS SERVICE MANUAL IS PROPRIETARY INFORMATION OF TTI FLOOR CARE NORTH AMERICA.

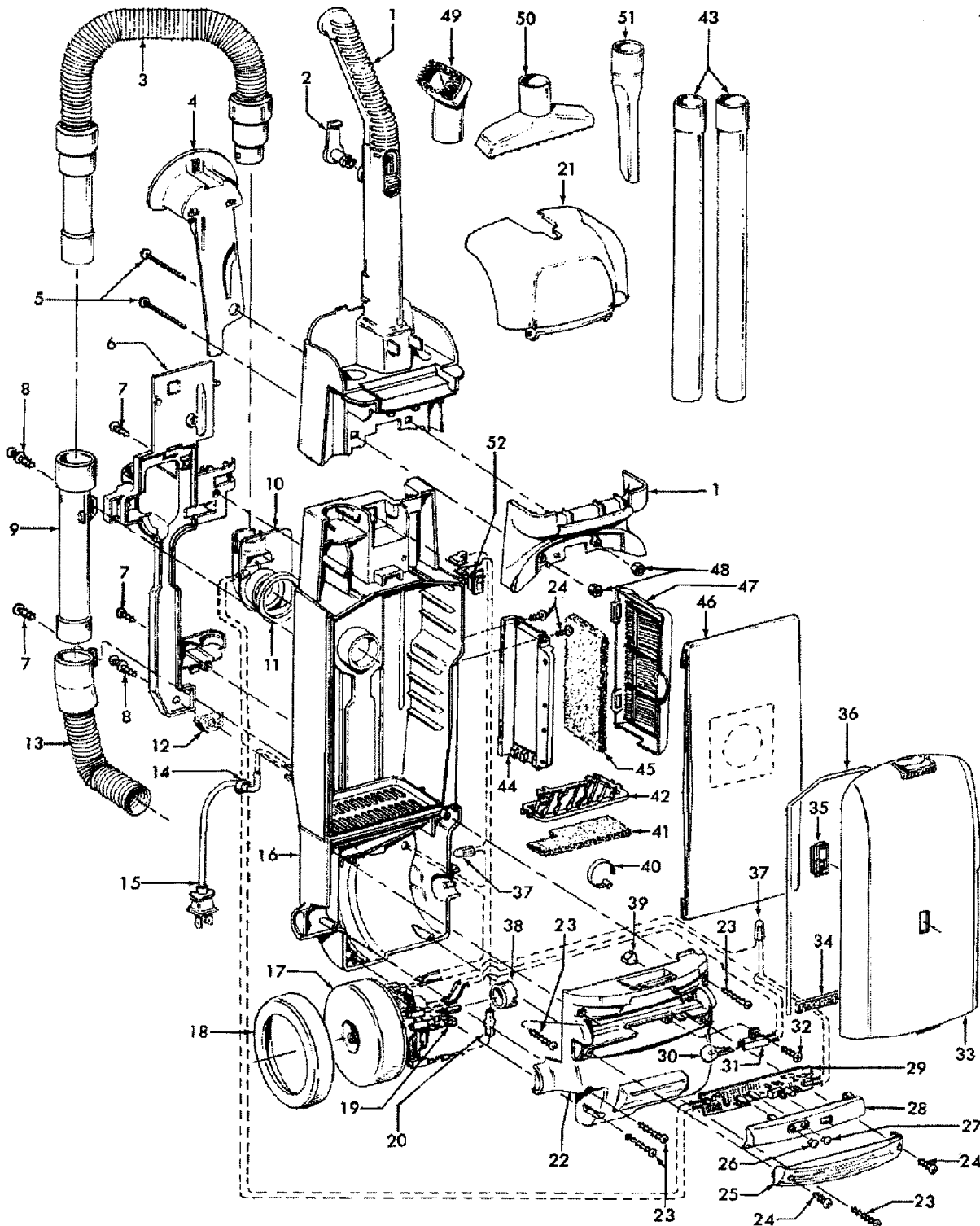
* **WARNING:** TO REDUCE THE RISK OF ELECTRICAL SHOCK OR INJURY, ALWAYS DISCONNECT THE APPLIANCE CORD FROM THE ELECTRICAL OUTLET OR REMOVE BATTERY PRIOR TO SERVICING THE UNIT.



WINDTUNNEL™ SUPREME

6

ASSEMBLY SCHEMATIC



MODEL NO.

U5458-900
U5458-910
U5460-900
U5462-900
U5467-900
U5468-900
U5470-900
U5471-900
U5472-900
U5473-900
U5481-900
U5491-900
U5491-950



WINDTUNNEL™ S U P R E M E

6

PART LISTING / PRICE LIST

ITEM	PART NUMBER	MODELS TO FIT	PART DESCRIPTION	LIST COST
1	37911080	ALL	HANDLE CAP / DELUXE - DARK CHARCOAL GRAY	1.12
	48663205	ALL	UPPER HANDLE COMPLETE - DARK CHARCOAL GRAY	15.87
	39466123	U5491900, U5491950	UPPER HANDLE COMPLETE - D - STYLE HANDLE	PENDING
2	39442048	ALL	CORD WRAP - MAGNESIUM GRAY	1.14
	39442056	ALL	CORD WRAP - BLACK	.66
3	43434031	ALL	HOSE ASSEMBLY COMPLETE	19.83
4	36433137	ALL	HOSE HOLDER - DARK CHARCOAL GRAY	2.59
5	40201149	ALL	HANDLE HARDWARE ASSEMBLY	2.26
6	36433120	ALL	WAND/HOSE HOLDER - DARK CHARCOAL GRAY	3.73
7	21447242	ALL	SCREW - SELF TAPPING	1.12
8	23149002	ALL	SCREW - SELF TAPPING	.57
9	43457024	ALL	HOSE DOOR ASSEMBLY	4.53
10	47823003	ALL	EDF MICRO/DUCT ASSEMBLY	6.34
11	31178017	ALL	HOSE CONNECTOR GASKET	1.12
12	34311004	ALL	WIRE OPENING SEAL	1.12
13	43431005	ALL	HOSE DOOR ASSEMBLY	9.06
14	27482230	ALL	STRAIN RELIEF	1.12
15	46383334	ALL	CORD - 35'	15.87
16	92001023	ALL	BAG HOUSING DELUXE - DARK CHARCOAL GRAY	17.00
	40309040	ALL	BAG HOUSING KIT - DLX INCL MOTOR HOUSING	31.17
17	27212057	ALL	MOTOR ASSEMBLY COMPLETE	62.09
	33426001	ALL	NUT	1.12
	90001206	ALL	FAN ASSEMBLY	3.39
18	36322037	ALL	MOTOR MOUNT - LARGE	2.59
19	41311017	ALL	MOTOR BRUSH	4.86
20	47534027	U5462900	THERMAL PROTECTOR - 3/16	9.19
	28382087	ALL	THERMAL PROTECTOR - .250	7.48
21	37257260	ALL	TOOL DOOR	6.95
22	37196159	U5491900, U5491950	MOTOR COVER - BLACK	9.06
	37196158	ALL	MOTOR COVER - DARK CHARCOAL GRAY	9.06
23	21447230	ALL	SCREW - SELF TAPPING	1.12
24	21447228	ALL	SCREW - SELF TAPPING	.57
25	39383107	ALL	LENS	2.59

MODEL No.

U5458-900
U5458-910
U5460-900
U5462-900
U5467-900
U5468-900
U5470-900
U5471-900
U5472-900
U5473-900
U5481-900
U5491-900
U5491-950



WINDTUNNEL™

S U P R E M E

6

PART LISTING / PRICE LIST

ITEM	PART NUMBER	MODELS TO FIT	PART DESCRIPTION	LIST COST
26	27352030	ALL	SNAP IN LENS - RED	.60
27	27352031	ALL	SNAP IN LENS - GREEN	N.A.
28	42258001	ALL EXCEPT U5460900, U5462900	EDF COVER / 2 LIGHTS - DARK CHARCOAL GRAY	5.31
	42258003	U5491900, U5491950	EDF COVER / 2 LIGHTS	PENDING
	42258002	U5460900, U5462900	EDF COVER / 3 LIGHTS - DARK CHARCOAL GRAY	5.31
29	46851083	ALL EXCEPT U5460900, U5462900	EDF PRINTED CIRCUIT BOARD / 2 LIGHTS	9.44
	46851032	U5460900, U5462900	EDF PRINTED CIRCUIT BOARD / 3 LIGHTS	39.68
30	27313101	ALL	LAMP / LIGHT BULB	2.26
31	47173028	U5460900, U5462900	WIRING HARNESS - RIGHT FLAG TERMINAL	4.53
	47173027	ALL EXCEPT U5460900, U5462900	WIRING HARNESS - STRAIGHT TERMINAL	4.53
32	21447072	ALL	SCREW	.57
33		U5458900, U5458910, U5460900	BAG HOUSING DOOR DELUXE INCL #34 & #36 - SAPPHIRE TRANSPARENT	N.A.
		U5462900, U5467900	BAG HOUSING DOOR DELUXE INCL #34 & #36 - SILVER QUARTZ METALLIC	N.A.
		U5460900	BAG HOUSING DOOR DELUXE INCL #34 & #36 - DARK SPRUCE TRANSPARENT	N.A.
	92001091	U5470900, U5481900	BAG HOUSING DOOR DELUXE INCL #34 & #36 - SAGE GREEN METALLIC	15.87
	37254287	U5471900	BAG HOUSING DOOR DELUXE INCL #34 & #36 - LEGACY PURPLE	PENDING
	37254288	U5472900	BAG HOUSING DOOR DELUXE INCL #34 & #36 - SILVER QUARTZ METALLIC	34.01
	37254285	U5473900	BAG HOUSING DOOR DELUXE INCL #34 & #36 - CATALINA BLUE	PENDING
	37254283	U5491900, U5491950	BAG HOUSING DOOR DELUXE INCL #34 & #36 - TECHNO BLUE METALLIC	PENDING
34	34123050	ALL	BAG DOOR GASKET - BOTTOM	1.12
35	51151010	ALL	BAG INDICATOR	6.79
36	38781057	ALL	BAG DOOR GASKET - 34.5"	1.46
37	27618508	ALL	WIRE CONNECTOR	1.12
38	36322030	ALL	MOTOR MOUNT - SMALL	1.12
39	34131019	ALL	WIRE OPENING PLUG	1.12
40	27479307	ALL	CABLE TIE	.45
41	38765019	ALL	SECONDARY FILTER	3.44

MODEL No.

U5458-900
 U5458-910
 U5460-900
 U5462-900
 U5467-900
 U5468-900
 U5470-900
 U5471-900
 U5472-900
 U5473-900
 U5481-900
 U5491-900
 U5491-950



WINDTUNNEL™

S U P R E M E

6

PART LISTING / PRICE LIST

ITEM	PART NUMBER	MODELS To FIT	PART DESCRIPTION	LIST COST
42	36426034	ALL	SECONDARY FILTER RETAINER	1.46
43	38634078	ALL	EXTENSION TUBE - BLACK	6.79
44	36426033	ALL	FILTER HOLDER - DARK CHARCOAL GRAY	3.39
45	40110004	ALL	FINAL FILTER - 2 PACK	3.49 NON DISC
46	4010100Y	ALL	TYPE Y BAG / ALLERGEN - 3 PACK	3.62 NON DISC
	4010801Y	ALL	TYPE Y BAG / HEPA - 2 PACK	3.49 NON DISC
47	37257221	ALL	FILTER GRILL - DARK CHARCOAL GRAY	3.39
	37257323	U5491900, U5491950	FILTER GRILL ASSEMBLY	PENDING
48	40201149	ALL	HANDLE HARDWARE ASSEMBLY	2.26
49	43414197	ALL	DUSTING BRUSH ASSEMBLY - BLACK	2.68
50	38614044	ALL	FURNITURE NOZZLE - GRAPHITE GRAY	5.66
	38614045	ALL	FURNITURE NOZZLE - BLACK	PENDING
51	38617033	ALL	CREVICE TOOL - SHORT BLACK	3.39
	38617031	ALL	CREVICE TOOL - LONG GRAPHITE GRAY	5.66
52	28161067	ALL	SWITCH - .025 TERMINAL	2.63
53	49129032	ALL	TURBINE HAND TOOL	14.62
	49124044	ALL	TURBINE HAND TOOL	PENDING
54	92001259	U5491900, U5491950	12" FLOOR BRUSH ASSEMBLY - BLACK	17.00
	43434042	ALL	EXTRA HOSE ASSEMBLY 20' - OPTIONAL	34.01

MODEL No.

- U5458-900
- U5458-910
- U5460-900
- U5462-900
- U5467-900
- U5468-900
- U5470-900
- U5471-900
- U5472-900
- U5473-900
- U5481-900
- U5491-900
- U5491-950

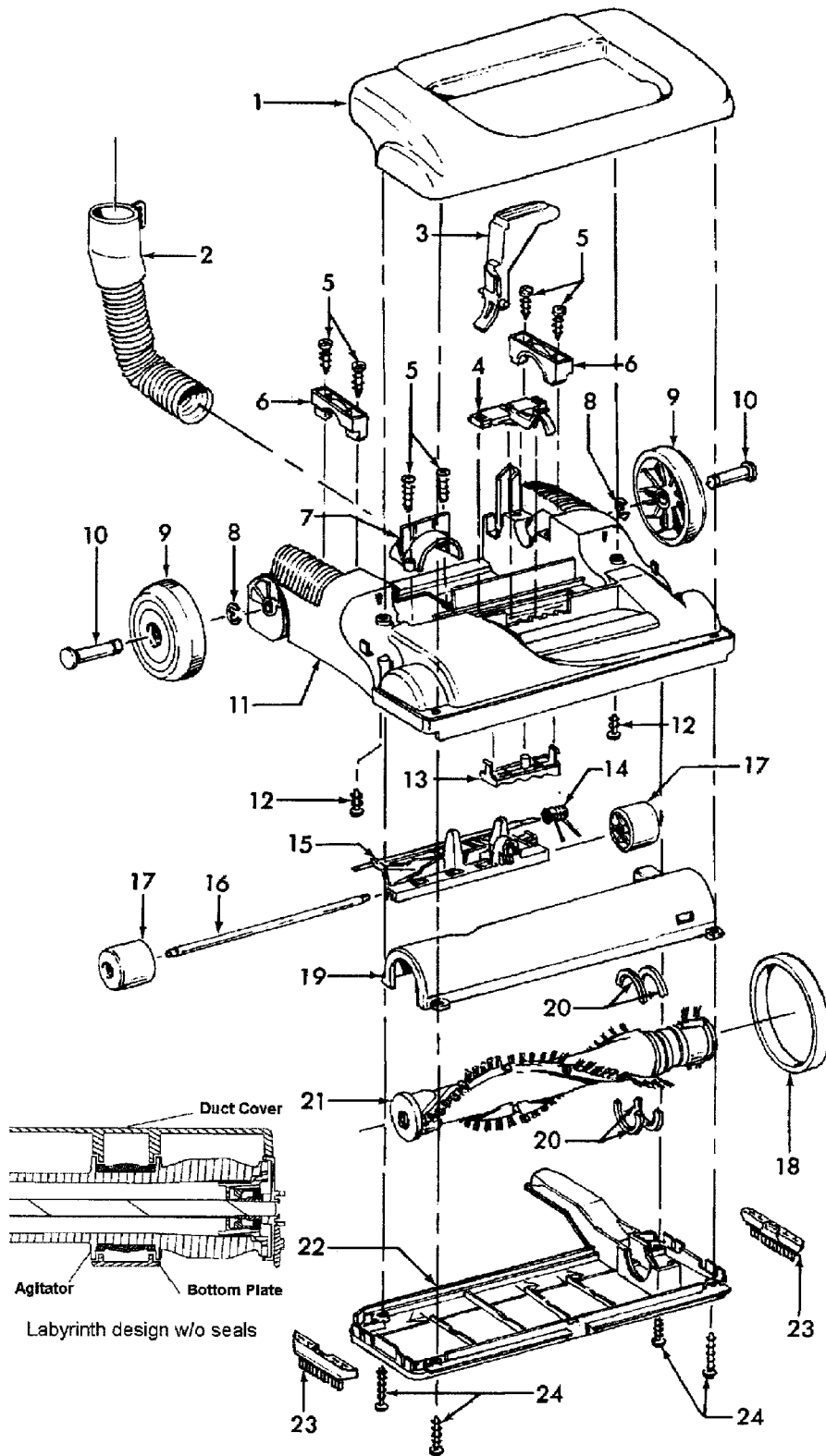


WINDTUNNELTM

S U P R E M E

6

ASSEMBLY SCHEMATIC



MODEL NO.

- U5458-900
- U5458-910
- U5460-900
- U5462-900
- U5467-900
- U5468-900
- U5470-900
- U5471-900
- U5472-900
- U5473-900
- U5481-900
- U5491-900
- U5491-950



WINDTUNNEL™ S U P R E M E

6

PART LISTING / PRICE LIST

ITEM	PART NUMBER	MODELS TO FIT	PART DESCRIPTION	LIST COST
1	92001090	U5470900, U5481900	HOOD - SAGE GREEN METALLIC	9.40
	91001069	U5467900	HOOD - LACQUER RED METALLIC	9.40
	37253364	U5458900, U5458910, U5460900	HOOD - SAPPHIRE TRANSPARENT	27.21
	37253386	U5462900	HOOD - RUBY TRANSPARENT	N.L.A.
	37253448	U5471900	HOOD - LEGACY PURPLE	PENDING
	37253A75	U5472900	HOOD - SILVER QUARTZ METALLIC	10.60
	37253A78	U5473900	HOOD - CATALINA BLUE	PENDING
	42252B75	U5491900, U5491950	HOOD - TECHNO BLUE METALLIC	43.73
	43431005	ALL	HOSE DOOR ASSEMBLY	9.06
3	38458043	ALL	HANDLE RELEASE LEVER - BLACK	2.26
	38434049	U5491900, U5491950	HANDLE RELEASE LEVER - SONIC SILVER	4.15
4	40309004	ALL	NOZZLE ADJUST LEVER / CAM KIT	3.16
5	21447072	ALL	SCREW	.57
6	36131094	ALL	TRUNNION COVER - DARK CHARCOAL GRAY	1.12
7	36171044	ALL	HOSE CLAMP - DARK CHARCOAL GRAY	1.12
8	160017--	ALL	LOCK RING	.58
9	38522077	ALL	REAR WHEEL	2.26
	43247033	U5491900, U5491950	REAR WHEEL ASSEMBLY	6.82
10	32434007	ALL	REAR AXLE	1.12
11	37242135	ALL	MAIN BODY w / FURNITURE GUARD	15.87
	37242158	U5491900, U5491950	MAIN BODY w / FURNITURE GUARD	PENDING
12	21447228	ALL	SCREW - SELF TAPPING	.57
13	40309004	ALL	NOZZLE ADJUST LEVER / CAM KIT	3.16
14	38355010	ALL	TORSION SPRING	1.12
15	36432027	ALL	FRONT WHEEL SUPPORT - CLEAR	2.26
	43248064	ALL	FRONT WHEEL ASSEMBLY COMPLETE	9.06
	43248075	U5491900, U5491950	FRONT WHEEL ASSEMBLY COMPLETE	PENDING
16	32541003	U5460900, U5462900	WHEEL SHAFT - ZINC PLATE COATED	N.L.A.
	32541007	ALL	WHEEL SHAFT - ZINC PLATE COATED	1.12
17	38521009	ALL	FRONT WHEEL - BLACK	2.26
	38522105	U5491900, U5491950	FRONT WHEEL - BLACK SOFT TREAD	PENDING
18	38528033	ALL	BELT	1.50 NON DISC
	40201160	ALL	BELT - 2 PACK	1.50 NON DISC

MODEL No.

- U5458-900
- U5458-910
- U5460-900
- U5462-900
- U5467-900
- U5468-900
- U5470-900
- U5471-900
- U5472-900
- U5473-900
- U5481-900
- U5491-900
- U5491-950



WINDTUNNELTM

S U P R E M E

6

PART LISTING / PRICE LIST

ITEM	PART NUMBER	MODELS To FIT	PART DESCRIPTION	LIST COST
19	40309026	ALL	BOTTOM PLATE / DUCT 15"	19.27
20	38781053	ALL	BRUSH ROLL / AGITATOR PULLEY SEAL	.93
21	48414132	ALL	BRUSH ROLL / AGITATOR 15"	22.67
22	40309026	ALL	BOTTOM PLATE / DUCT 15"	19.27
23	39511004	ALL	LITTER PICKER / EDGE GROOMER	2.26
	39511018	ALL	LITTER PICKER / EDGE GROOMER - BLACK	2.26
24	21447121	ALL	SCREW	.57

MODEL No.

- U5458-900
- U5458-910
- U5460-900
- U5462-900
- U5467-900
- U5468-900
- U5470-900
- U5471-900
- U5472-900
- U5473-900
- U5481-900
- U5491-900
- U5491-950