



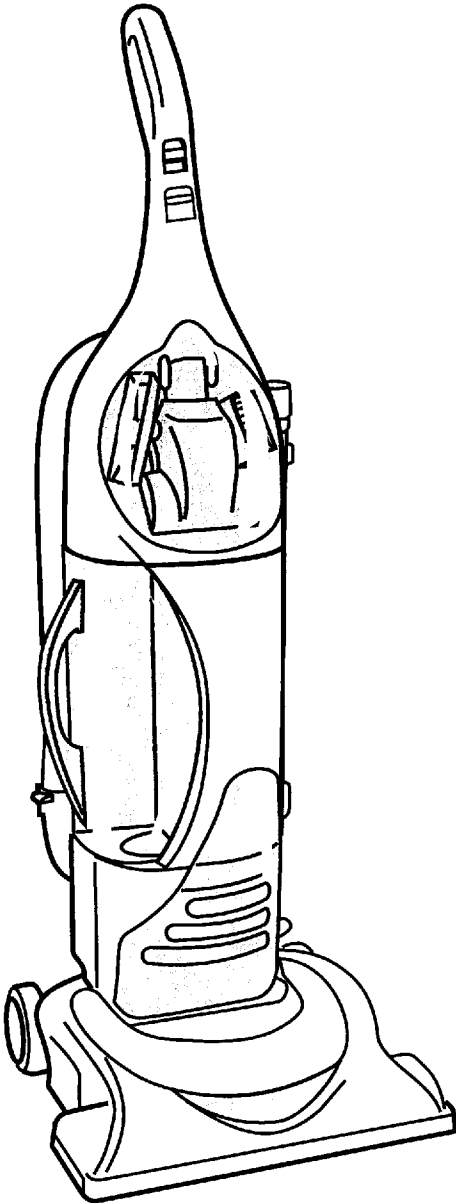
SAVVY™
SAVVY™
2^{IN}1 BAGGED & BAGLESS

WindTunnel
BAGGED & BAGLESS

5

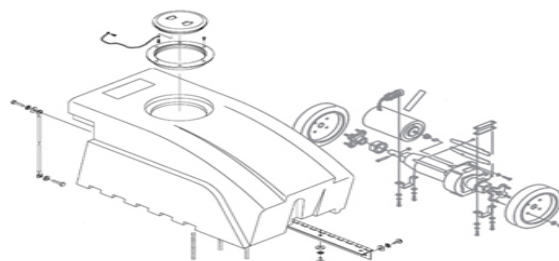
SECTION CONTENTS

MODEL No.



<u>MODEL No.</u>	<u>PAGE No.</u>
U8125-900	5-2 THRU 5-8
U8125-960	5-2 THRU 5-8
U8135-900	5-2 THRU 5-8
U8145-900	5-2 THRU 5-8
U8150-900	5-2 THRU 5-8
U8151-900	5-2 THRU 5-8
U8153-900	5-2 THRU 5-8
U8155-900	5-2 THRU 5-8
U8157-900	5-2 THRU 5-8
U8161-900	5-2 THRU 5-8
U8193-900	5-2 THRU 5-8
U8172-900	5-9 THRU 5-13
U8174-900	5-9 THRU 5-13
U8181-900	5-14 THRU 5-20
U8187-900	5-14 THRU 5-20
U8188-900	5-14 THRU 5-20
UH40110	5-14 THRU 5-20

U8125-900
U8125-960
U8135-900
U8145-900
U8150-900
U8151-900
U8153-900
U8155-900
U8157-900
U8161-900
U8163-900
U8172-900
U8174-900
U8181-900
U8187-900
U8188-900
UH40110



FLOOREQUIPMENTPARTS.COM

* PRICING, SPECIFICATION'S, AND PRODUCT AVAILABILITY ARE SUBJECT TO CHANGE WITHOUT NOTICE. PRICING IS FOB FACTORY, CANTON, OH

* ALL INFORMATION CONTAINED WITHIN THIS SERVICE MANUAL IS PROPRIETARY INFORMATION OF TTI FLOOR CARE NORTH AMERICA.

* **WARNING:** TO REDUCE THE RISK OF ELECTRICAL SHOCK OR INJURY, ALWAYS DISCONNECT THE APPLIANCE CORD FROM THE ELECTRICAL OUTLET OR REMOVE BATTERY PRIOR TO SERVICING THE UNIT.

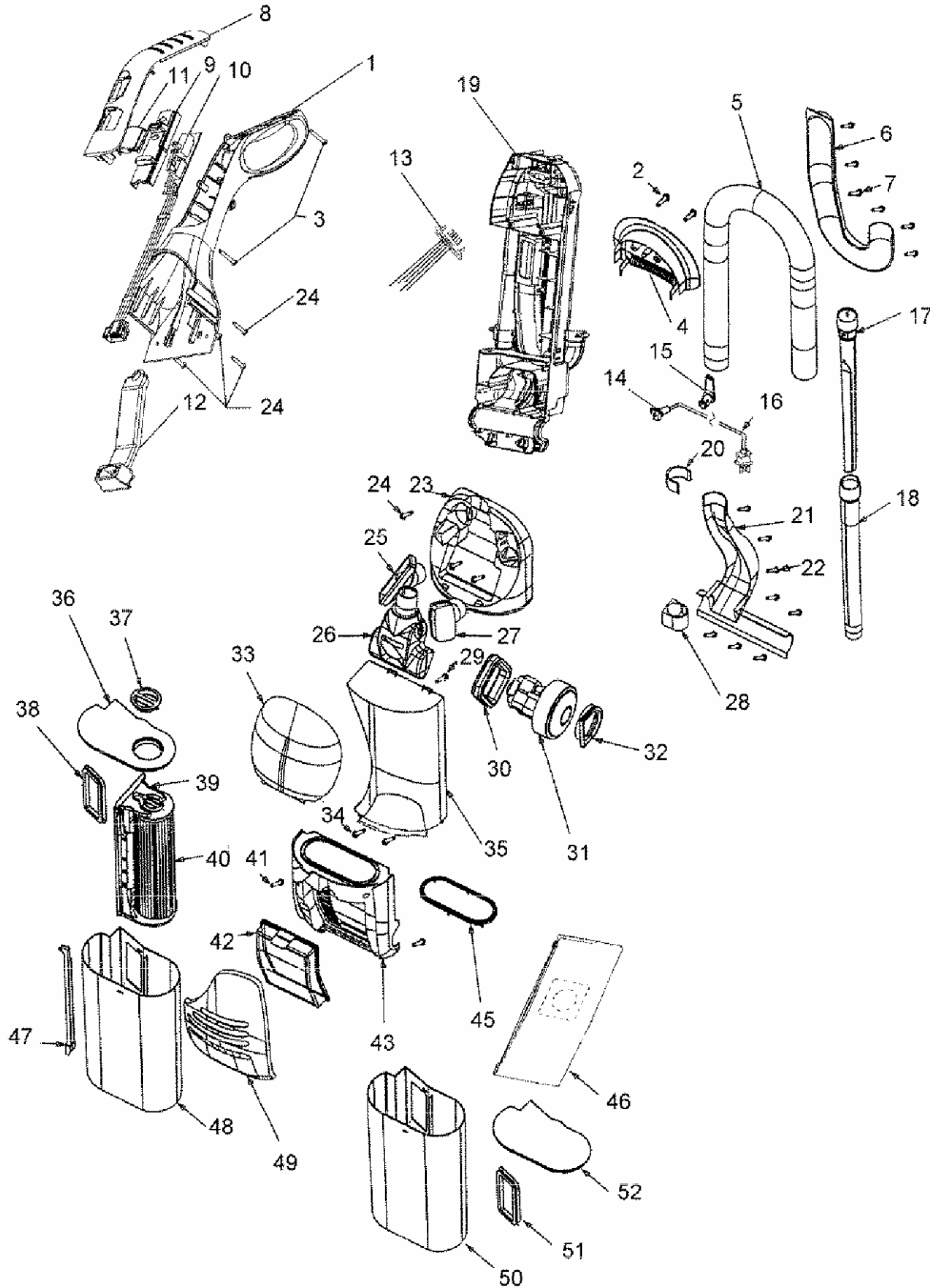


SAVVY™

SAVVY™
2 IN 1 BAGGED & BAGLESS

5

ASSEMBLY SCHEMATIC UPPER BODY



MODEL NO.

- U8125-900
- U8125-960
- U8135-900
- U8145-900
- U8150-900
- U8151-900
- U8153-900
- U8155-900
- U8157-900
- U8161-900
- U8163-900



SAVVY™

SAVVY™
2ⁱⁿ1 BAGGED & BAGLESS

5

PART LISTING / PRICE LIST

MODEL No.

ITEM	PART NUMBER	MODELS TO FIT	PART DESCRIPTION	LIST COST
1	39466094	ALL	UPPER HANDLE ASSEMBLY	6.92
2	214472ED	ALL	SCREW - SELF TAPPING	.58
3	214472ED	U8125900, U9125900	SCREW - SELF TAPPING	.58
	21447236	U8135900, U8150900, U8151900, U8153900, U8155900, U8157900, U8161900, U8163900	SCREW	1.12
4	36433196	ALL	UPPER HOSE HOLDER - GRAPHITE GRAY	3.39
5	43431227	U8125900, U8135900, U8151900, U8153900, U8155900, U8157900, U8161900, U8163900	HOSE ASSEMBLY COMPLETE - BLACK/GRAPHITE GRAY	17.00
	43434031	U8125960	HOSE ASSEMBLY COMPLETE	19.83
	91001045	U8150900	HOSE ASSEMBLY COMPLETE - WITH BAG	22.67
	43434042	U8135900, U8151900, U8153900, U8155900, U8157900, U8161900, U8163900	EXTRA HOSE ASSEMBLY - STANDARD	34.01
6	38646088	ALL	DIRT DUCT COVER - GRAPHITE GRAY	4.53
7	21447242	ALL	SCREW - SELF TAPPING	1.12
8	39454079	ALL	HANDLE GRIP - SILVER QUARTZ MATALLIC	2.26
9	38421112	ALL	SWITCH BUTTON - GRAPHITE GRAY	1.81
10	27854033	ALL	SWITCH/CIRCUIT BOARD ORDER 48663238 COMPLETE HANDLE ASSY	N.L.A.
11	39383124	ALL	LENS - HANDLE GRIP	2.26
	92001057	U5150900	LENS - HANDLE GRIP	3.96
12	36911006	ALL	CONNECTOR MOUNT	1.12
13	46651004	ALL	RECEPTACLE/HARNESS	N.L.A.
14	36215028	ALL	CORD PROTECTOR	1.81
15	39442048	ALL	CORD WRAP - GRAPHITE GRAY	1.14
16	46383334	ALL	ATTACHMENT CORD - 35'	15.87
17	38617031	ALL	CREVICE TOOL / LONG - GRAPHITE GRAY	5.66
18	38634078	ALL	EXTENSION TUBE - BLACK	6.79
19	37259022	ALL	UPPER HOUSING - GRAPHITE GRAY	27.21
20	36433197	ALL	UPPER WAND HOLDER - GRAPHITE GRAY	1.46
21	38683018	ALL	TRUNNION DUCT - GRAPHITE GRAY	4.53
22	21447242	ALL	SCREW - SELF TAPPING	1.12

U8125-900
U8125-960
U8135-900
U8145-900
U8150-900
U8151-900
U8153-900
U8155-900
U8157-900
U8161-900
U8163-900



SAVVY™

SAVVY™
2ⁱⁿ1 BAGGED & BAGLESS

5

PART LISTING / PRICE LIST

ITEM	PART NUMBER	MODELS TO FIT	PART DESCRIPTION	LIST COST
23	36433202	U8135900	TOOL HOLDER - MERLOT METALLIC	N.L.A.
	36433201	U8145900	TOOL HOLDER - SEAFOAM BLUE METALLIC	N.L.A.
		U8150900	TOOL HOLDER - LACQUER RED METALLIC	
	36433178	U8125900, U8125960, U8150900, U8153900	TOOL HOLDER - BLACK	5.66
	36433183	U8151900	TOOL HOLDER - PEWTER / BLACK	N.L.A.
	36433204	U8150900, U8155900	TOOL HOLDER - BLACK	5.66
	36433200	U8157900	TOOL HOLDER - ICE BLUE METALLIC	6.23
	36433199	U8161900	TOOL HOLDER - MULBERRY METALLIC ORDER 36433178 - BLACK	N.L.A.
	36433195	U8163900	TOOL HOLDER - SAGE GREEN METALLIC	N.L.A.
24	214472ED	U8125900, U8125960	SCREW - SELF TAPPING	.58
	21447072	ALL - EXCEPT U8125900, U8125960	SCREW	.57
25	38614044	ALL	FURNITURE NOZZLE - GRAPHITE GRAY	5.66
26	49129032	ALL	TURBINE HAND TOOL	14.62
27	43414197	ALL	DUSTING BRUSH ASSEMBLY - BLACK	2.68
28	36433194	ALL	LOWER WAND HOLDER - GRAPHITE GRAY	1.69
29	21447242	ALL	SCREW - SELF TAPPING	1.12
30	36322036	ALL	MOTOR MOUNT - MIDDLE	2.59
31	27212053	ALL	SUCTION MOTOR	55.69
31	91001027	ALL	THERMAL PROTECTOR	5.66
32	38785018	ALL	MOTOR FACE SEAL - BLACK	1.81
33	37257281	ALL	TOOL DOOR - CLEAR	4.53
34	21447242	ALL	SCREW - SELF TAPPING	1.12
35	37249061	U8135900	FRONT PANEL - MERLOT METALLIC	N.L.A.
	37249062	U8145900	FRONT PANEL - SEAFOAM BLUE METALLIC	N.L.A.
		U8150900	FRONT PANEL - LACQUER RED METALLIC	N.L.A.
	37249036	U8125900, U8125960, U8150900, U8153900	FRONT PANEL - BLACK	8.49
	37249058	U8151900	FRONT PANEL - PEWTER METALLIC	9.06
	37249060	U8150900, U8155900	FRONT PANEL - BLACK	N.L.A.
	37249063	U8157900	FRONT PANEL - ICE BLUE METALLIC	10.20
	37249064	U8161900	FRONT PANEL - MULBERRY METALLIC	N.L.A.
	37249056	U8163900	FRONT PANEL - SAGE GREEN METALLIC	11.90

MODEL No.

U8125-900
U8125-960
U8135-900
U8145-900
U8150-900
U8151-900
U8153-900
U8155-900
U8157-900
U8161-900
U8163-900



SAVVY™

SAVVY™
2ⁱⁿ1 BAGGED & BAGLESS

5

PART LISTING / PRICE LIST

ITEM	PART NUMBER	MODELS TO FIT	PART DESCRIPTION	LIST COST
36	37249095	ALL - BAGLESS	DIRT CUP LID - GRAPHITE GRAY	4.41
37	38411013	ALL - BAGLESS	KNOB CART FILTER - BLACK	2.03
38	38783029	ALL - BAGLESS	DIRT CUP INLET SEAL - BLACK	1.81
39	36426069	ALL	PRE-FILTER ASSEMBLY - BLACK	9.52
40	40140201	ALL - BAGLESS	CARTRIDGE FILTER	16.00 NON DISC
41	21447230	ALL	SCREW - SELF TAPPING	1.12
42	93002017	ALL - BAGLESS	FINAL FILTER	11.49
43	37196183	U8135900	MOTOR COVER - MERLOT METALLIC	N.L.A.
	37196182	U8145900	MOTOR COVER - SEAFOAM BLUE METALLIC	N.L.A.
		U8150900	MOTOR COVER - LACQUER RED METALLIC	
	37196184	U8125900, U8125960, U8150900, U8153900	MOTOR COVER - SILVER QUARTZ METALLIC	9.06
	37196171	U8151900	MOTOR COVER - PEWTWER METALLIC	N.L.A.
	37196169	U8150900, U8155900	MOTOR COVER - BLACK	9.06
	37196179	U8157900	MOTOR COVER - ICE BLUE METALLIC	9.06
	37196178	U8161900	MOTOR COVER - MULBERRY METALLIC	10.20
	37196177	U8163900	MOTOR COVER - SAGE GREEN TRANSPARENT	9.06
44	21447230	ALL	SCREW - SELF TAPPING	1.12
45	38785017	ALL	EXHAUST SEAL - BLACK	1.46
46	4010801Y	ALL - BAGGED	HEPA FILTER BAG - 2 PACK	3.49 NON DISC
47	39512023	ALL - BAGLESS	EXPULSION BLADE	1.12
48	38775094	ALL - BAGLESS	DIRT CUP SERVICE	22.67
49	38769017	ALL	FINAL FILTER DOOR - TRANSPARENT GRAY LT	2.86
50	37256005	ALL	BAG CONTAINER INCLUDES #46 - MIST GRAY TRANSPARENT	29.47
51	38783035	ALL	BAG INLET SEAL - NEUTRAL	2.26
52	37249065	ALL - BAGGED	BAG CONTAINER LID - GRAPHITE GRAY	N.L.A.
53	46512004	ALL	CORD - STRIPPED	6.00
	36424005	ALL	BAG ADAPTER - BLACK	2.26
	34163016	ALL	MUFFLER FOAM	1.81
	38781078	ALL	SEAL - FRONT MOTOR COVER	1.12
	38781060	ALL	GASKET 35" - CUT TO FIT	1.12

MODEL No.

U8125-900
U8125-960
U8135-900
U8145-900
U8150-900
U8151-900
U8153-900
U8155-900
U8157-900
U8161-900
U8163-900

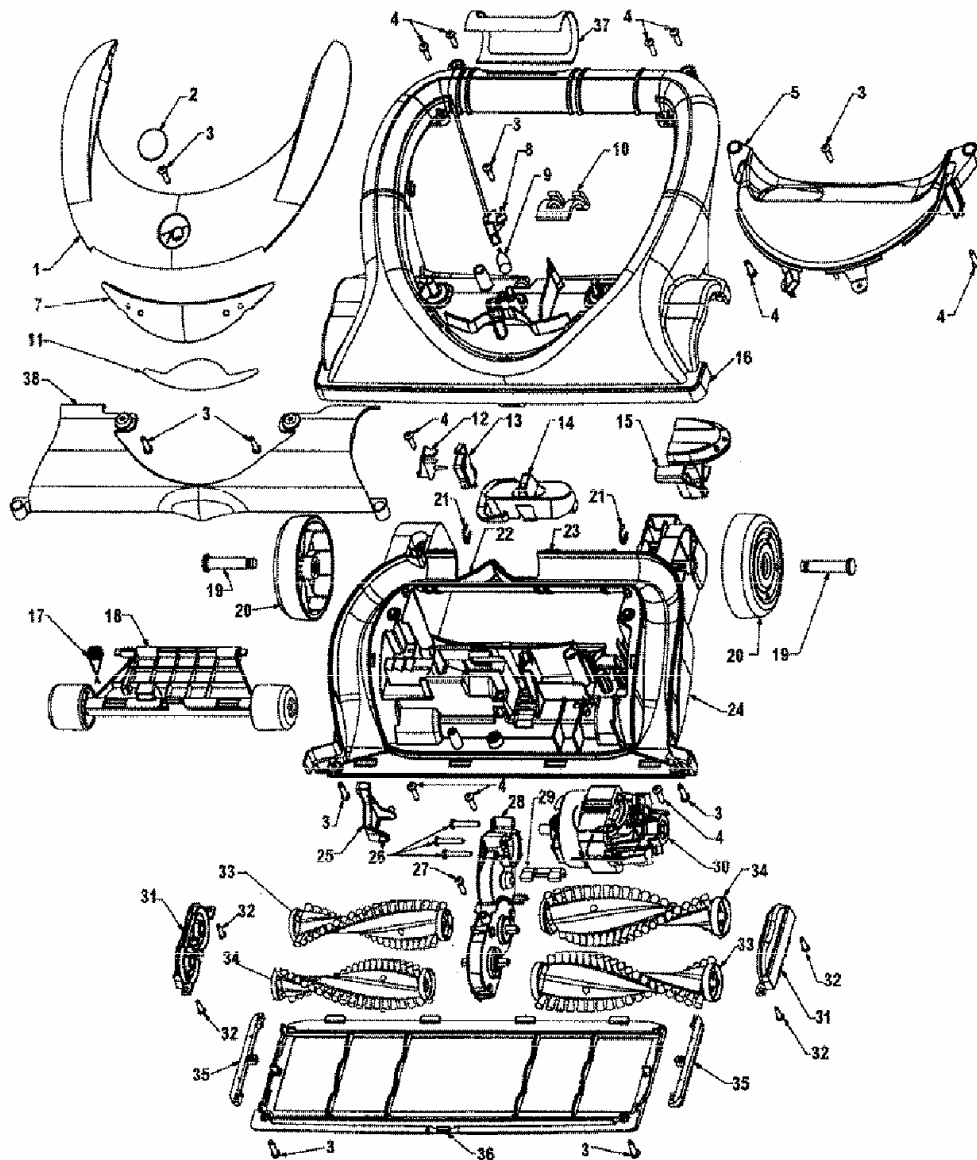


SAVVY™

SAVVY™
2 IN 1 BAGGED & BAGLESS

5

ASSEMBLY SCHEMATIC FOOT / NOZZLE BASE



MODEL NO.

- U8125-900
- U8125-960
- U8135-900
- U8145-900
- U8150-900
- U8151-900
- U8153-900
- U8155-900
- U8157-900
- U8161-900
- U8163-900



SAVVY™

SAVVY™
2^{IN}1 BAGGED & BAGLESS

5

PART LISTING / PRICE LIST

MODEL No.

ITEM	PART NUMBER	MODELS TO FIT	PART DESCRIPTION	LIST COST
1	37251014	U8125900, U8125960, U8135900, U8150900, U8151900, U8153900, U8155900	HOOD - SILVER QUARTZ METALLIC	9.06
	37251017	U8145900	HOOD - SURF BLUE TRANS ORDER 37251007	N.L.A.
		U8150900	HOOD - LACQUER RED METALLIC	N.A.
	37251009	U8151900	HOOD - PEWTER METALLIC	N.L.A.
	37251007	U8150900, U8155900	HOOD - BLACK	4.86
	37251015	U8157900	HOOD - MULBERRY METALLIC	9.06
	37251013	U8163900	HOOD - GREEN SAGE METALLIC ORDER 37251007 - BLACK	N.L.A.
2	51661020	U8163900	MEDALLION	1.46
3	214793DA	U8163900	SCREW	.57
4	21447242	U8163900	SCREW - SELF TAPPING	1.12
5	37246154	U8125900, U8125960, U8135900, U8145900, U8150900, U8157900, U8161900, U8163900	CONTROL PANEL - SILVER QUARTZ METALLIC	7.93
	37246155	U8151900	CONTROL PANEL - SILVER QUARTZ METALLIC	7.93
	37246156	U8155900	CONTROL PANEL - SILVER QUARTZ METALLIC	11.33
6			N/A	
7	39383113	ALL	LENS	2.03
8	47173037	ALL	LAMP SOCKET	2.26
9	27313107	ALL	BULB	3.09
10	38783030	ALL	TRUNNION SEAL	1.46
11	39385008	ALL	REFLECTOR	N.L.A.
12	36913031	ALL	SWITCH BRACKET - DARK CHARCOAL GRAY	1.12
13	91001026	ALL	MICROSWITCH	5.74
14	38421110	ALL	ACTUATOR KNOB - BLACK	1.69
15	38434026	ALL	HANDLE RELEASE LEVER - BLACK	2.26
16	92001020	ALL	BRUSH ROLL HOUSING W/FURNITURE GUARD	N.L.A.
17	38355010	ALL	TORSION SPRING	1.12
18	43248067	ALL	FRONT WHEEL CARRIAGE ASSEMBLY	6.56
19	32434014	ALL	REAR AXLE - BLACK ZINC	2.26
20	92001287	ALL	REAR WHEEL - PEWTER METALLIC / BLACK	5.66
21	160017--	ALL	LOCK RING	.58

U8125-900
U8125-960
U8135-900
U8145-900
U8150-900
U8151-900
U8153-900
U8155-900
U8157-900
U8161-900
U8163-900



SAVVY™

SAVVY™
2ⁱⁿ1 BAGGED & BAGLESS

5

PART LISTING / PRICE LIST

ITEM	PART NUMBER	MODELS TO FIT	PART DESCRIPTION	LIST COST
22		U8125900, U8125960	GASKET - 20"	N.A.
	N.A.	ALL EXCPET U8125900, U8125960	GASKET - 27"	N.A.
23	38781060	ALL	GASKET - 35"	1.12
24	37241169	U8135900, U8151900, U8153900, U8155900, U8157900, U8161900	MAIN BODY - DARK CHARCOAL GRAY	11.33
	92001032	U8145900, U8150900, U8163900	MAIN BODY - GRAPHITE GRAY	11.33
25	38458072	ALL	HEIGHT ADJUSTMENT SLIDE - NATURAL	1.81
26	21447230	U8125900, U8125960	SCREW - SELF TAPPING	1.12
		U8145900, U8150900	SCREW - SELF TAPPING	N.A.
	21445827	U8135900, U8151900, U8153900, U8155900, U8157900, U8161900, U8163900	SCREW	1.12
27	214793DA	ALL	SCREW - SELF TAPPING 5/8"	.57
28	42915024	ALL	MOTOR GEAR HOUSING INCLUDES #26 & #30 UNITS MGF AFTER 6/03	68.03
29	38783030	ALL	TRUNNION SEAL / GEAR HOUSING SEAL	1.46
30		ALL	ORDER ITEM #28	N.A.
31	41435026	ALL	BRUSH ROLL END CAP - GRAPHITE GRAY	1.98
32	21479446	ALL	SCREW - SELF TAPPING	.57
33	48414125	ALL	BRUSH ROLL ASSEMBLY - LACED RIGHT HAND	5.66
34	48414128	ALL	BRUSH ROLL ASSEMBLY - LACED LEFT HAND	5.66
35	39511009	ALL	LITTER PICKER - MAGNESIUM GRAY	.88
36	37245102	ALL	BOTTOM PLATE - DARK CHARCOAL GRAY	2.59
37	38783030	ALL	TRUNNION SEAL	1.46
38	37243036	ALL	NOZZLE LINER - CLEAR	3.73

MODEL No.

U8125-900
U8125-960
U8135-900
U8145-900
U8150-900
U8151-900
U8153-900
U8155-900
U8157-900
U8161-900
U8163-900