



PLATINUM  
*Collection*

CYCLONIC  
BAGLESS  
UPRIGHT

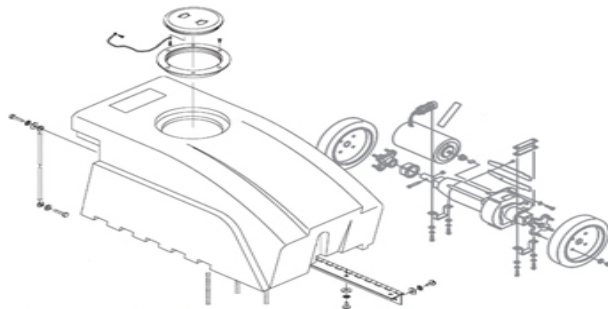
33

SECTION CONTENTS

<u>MODEL NO.</u>	<u>PAGE NO.</u>
UH70010	33-2 THRU 33-7
UH70015	33-2 THRU 33-7

MODEL No.

UH70010  
UH70015



**FLOOR EQUIPMENT PARTS.COM**

- \* PRICING, SPECIFICATION'S, AND PRODUCT AVAILABILITY ARE SUBJECT TO CHANGE WITHOUT NOTICE. PRICING IS FOB FACTORY, CANTON, OH
- \* ALL INFORMATION CONTAINED WITHIN THIS SERVICE MANUAL IS PROPRIETARY INFORMATION OF TTI FLOOR CARE NORTH AMERICA.
- \* **WARNING:** TO REDUCE THE RISK OF ELECTRICAL SHOCK OR INJURY, ALWAYS DISCONNECT THE APPLIANCE CORD FROM THE ELECTRICAL OUTLET OR REMOVE BATTERY PRIOR TO SERVICING THE UNIT.



PLATINUM  
*Collection*

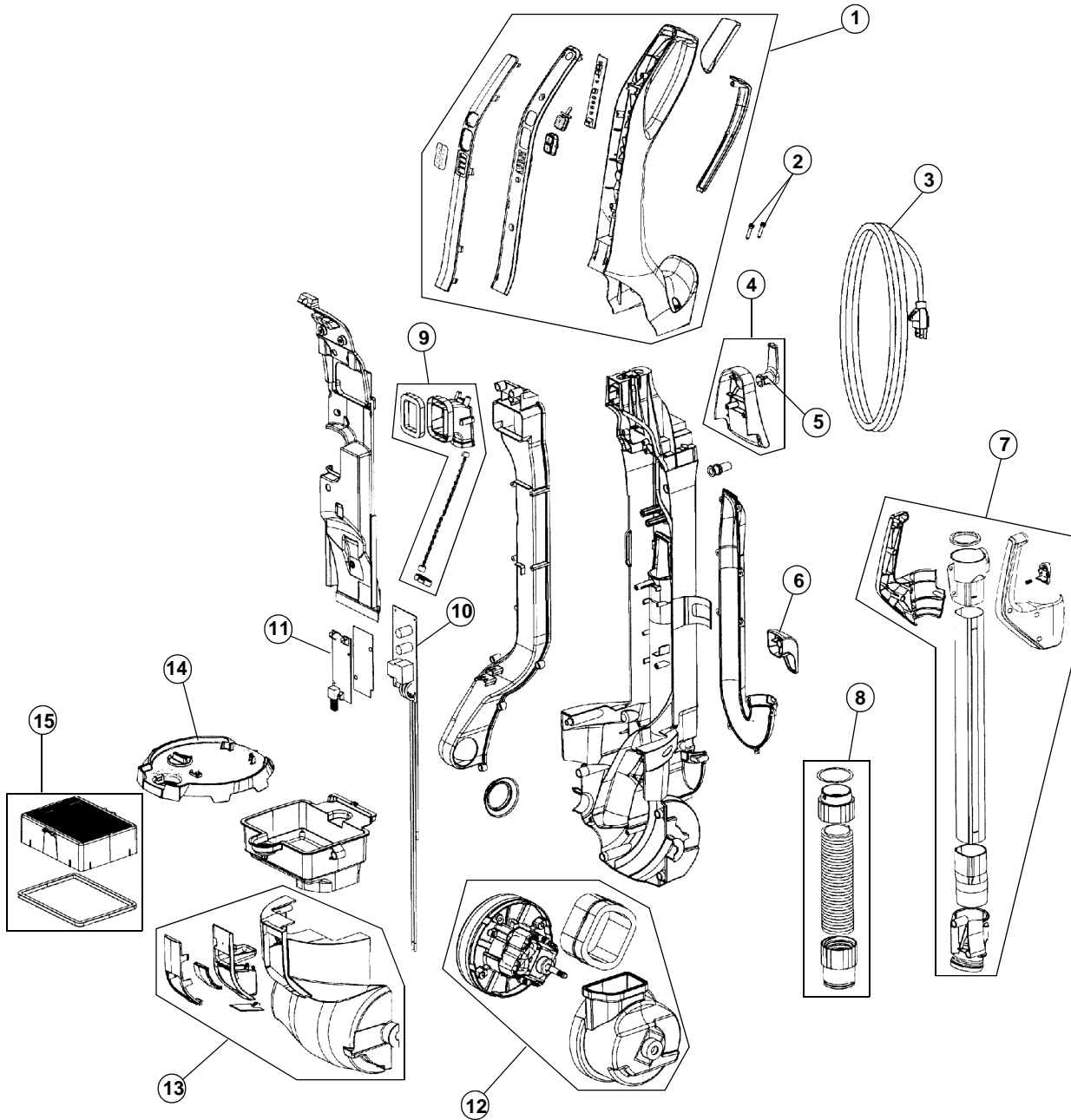
CYCLONIC  
BAGLESS  
UPRIGHT

33

ASSEMBLY SCHEMATIC

MODEL NO.

UH70010  
UH70015





PLATINUM  
*Collection*

CYCLONIC  
BAGLESS  
UPRIGHT

33

PART LISTING / PRICE LIST

MODEL No.

UH70010  
UH70015

ITEM	PART NUMBER	MODELS TO FIT	PART DESCRIPTION	LIST COST
1	48663249	UH70010, UH70015	HANDLE ASSEMBLY	PENDING
2	21447236	UH70010, UH70015	HANDLE SCREW	1.12
3	46383365	UH70010, UH70015	POWER CORD - 40'	22.75
4	48664005	UH70010, UH70015	CARRY HANDLE ASSEMBLY	2.33
5	39442056	UH70010, UH70015	UPPER CORD WRAP	.66
6	39442059	UH70010, UH70015	LOWER CORD WRAP	1.16
7	48642104	UH70010, UH70015	WAND ASSEMBLY	34.93
8	43434279	UH70010, UH70015	HOSE ASSEMBLY	16.45
9	48511008	UH70010, UH70015	INLET DUCT WITH MICROPHONE BRACKET IF NON EDF VERSION IS NEEDED, THIS IS TO BE ORDERED AND MICROPHONE CAN BE REMOVED	6.73
10	46851078	UH70010, UH70015	POWER PCB BOARD ASSEMBLY	32.10
11	46851079	UH70010, UH70015	SINGLE PCB BOARD ASSEMBLY	36.99
12	43576229	UH70010, UH70015	MOTOR ASSEMBLY WITH SHROUD	69.40
13	42191018	UH70010, UH70015	MOTOR COVER ASSEMBLY	52.53
14	37257327	UH70010, UH70015	EXHAUST FILTER COVER ASSEMBLY	4.44
15	38765035	UH70010, UH70015	HEPA FILTER	15.08
	21447242	UH70010, UH70015	BODY SCREW # 8 - 10 X .625" - SELF TAPPING	1.12
	21447526	UH70010, UH70015	SCREW # 4 - 10 X .500" - SELF TAPPING USED: WAND ASSEMBLY; CLEAN AIR DUCT / MICROPHONE	.57
	21447527	UH70010, UH70015	SCREW # 6 - 10 X .750" - SELF TAPPING USED: BACK PANEL; J-TUBE; CLEAN AIR DUCT	.57

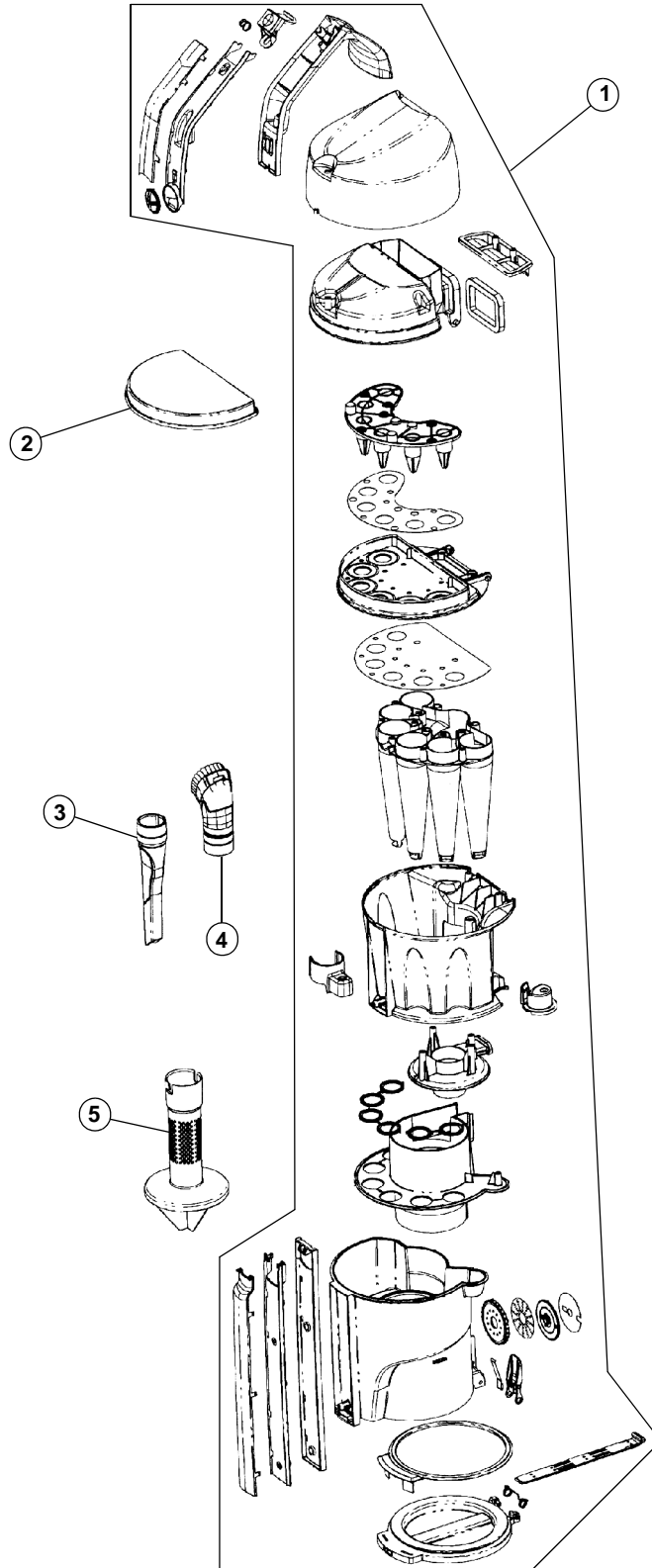


PLATINUM  
*Collection*

CYCLONIC  
BAGLESS  
UPRIGHT

33

ASSEMBLY SCHEMATIC



MODEL NO.

UH70010  
UH70015



PLATINUM  
*Collection*

CYCLONIC  
BAGLESS  
UPRIGHT

33

PART LISTING / PRICE LIST

ITEM	PART NUMBER	MODELS TO FIT	PART DESCRIPTION	LIST COST
1	43645063	UH70010, UH70015	COMPLETE DIRT CUP ASSEMBLY	145.13
2	43615096	UH70010, UH70015	DIRT CUP FILTER	6.98
3	38617035	UH70010, UH70015	CREVICE TOOL	1.44
4	38614049	UH70010, UH70015	FURNITURE TOOL ASSEMBLY	1.39
5	38768050	UH70010, UH70015	UMBRELLA TUBE - DIRT CUP	3.22

MODEL No.

UH70010  
UH70015



PLATINUM  
*Collection*

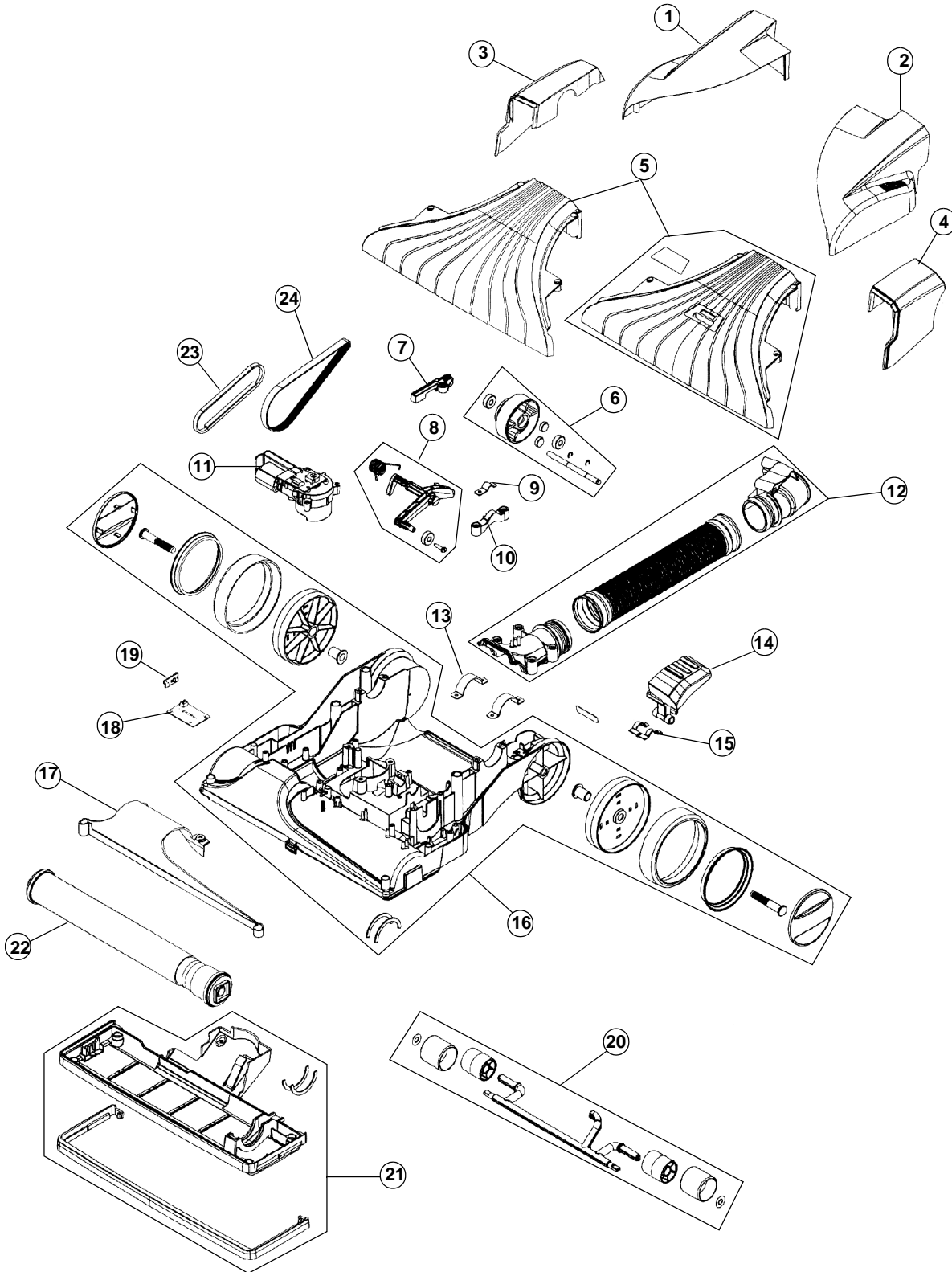
CYCLONIC  
BAGLESS  
UPRIGHT

33

ASSEMBLY SCHEMATIC

MODEL NO.

UH70010  
UH70015





PLATINUM  
*Collection*

CYCLONIC  
BAGLESS  
UPRIGHT

33

PART LISTING / PRICE LIST

MODEL No.

UH70010  
UH70015

ITEM	PART NUMBER	MODELS TO FIT	PART DESCRIPTION	LIST COST
1	37252123	UH70010, UH70015	HOOD - RIGHT	17.60
2	37252122	UH70010, UH70015	HOOD - LEFT	17.60
3	36131163	UH70010, UH70015	TRUNNION COVER - RIGHT	3.24
4	36131164	UH70010, UH70015	TRUNNION COVER - LEFT	3.13
5	37243073	UH70010	HOOD - CENTER NON-EDF	10.71
	42252B80	UH70015	HOOD - CENTER W/EDF LABEL	11.13
6	43256008	UH70010, UH70015	TRANSFER PULLEY ASSEMBLY	19.87
7	36171068	UH70010, UH70015	TRANSFER PULLEY CLAMP	.44
8	43151026	UH70010, UH70015	IDLER ARM ASSEMBLY	2.55
9	36171058	UH70010, UH70015	ACTUATOR ARM TRUNNION	.30
10	36172061	UH70010, UH70015	IDLER ARM CLAMP	.45
11	27271005	UH70010, UH70015	HEIGHT ADJUSTMENT MOTOR ASSEMBLY	18.53
12	43434280	UH70010, UH70015	LOWER HOSE ASSEMBLY	5.48
13	36171069	UH70010, UH70015	PIVOT CLAMP	.35
14	38434049	UH70010, UH70015	HANDLE RELEASE PEDAL	4.15
15	36436029	UH70010, UH70015	HANDLE RELEASE PEDAL CLAMP	.56
16	42246154	UH70010, UH70015	NOZZLE BASE ASSEMBLY WITH WHEELS	37.60
17	37243072	UH70010, UH70015	NOZZLE LINER	1.53
18	46851081	UH70015	EDF PCB ASSEMBLY	4.81
19	46851082	UH70010, UH70015	PCB HALL ASSEMBLY	4.57
20	43248074	UH70010, UH70015	FRONT WHEEL ASSEMBLY	16.24
21	42246152	UH70010, UH70015	BOTTOM PLATE / NOZZLE GUARD	7.42
22	48414156	UH70010, UH70015	AGITATOR / BRUSH ROLL ASSEMBLY	15.17
23	38528034	UH70010, UH70015	V - BELT AGITATOR / BRUSH ROLL	1.50 NON DISC
24	38528050	UH70010, UH70015	POLY V - BELT PULLEY	7.42
	21447242	UH70010, UH70015	BODY SCREW # 8 -10 X .625" - SELF TAPPING	1.12
	21447121	UH70010, UH70015	SCREW # 8 - 10 X 1.625" - SELF TAPPING USED: NOZZLE	.57



PLATINUM  
*Collection*

CYCLONIC  
BAGLESS  
UPRIGHT

33

NOTES

MODEL NO.

UH70010  
UH70015