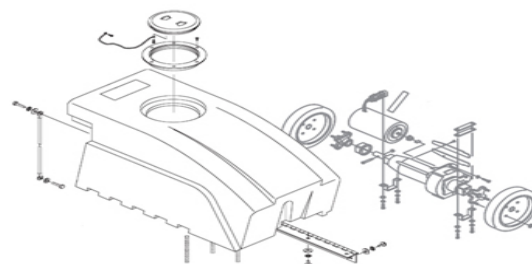
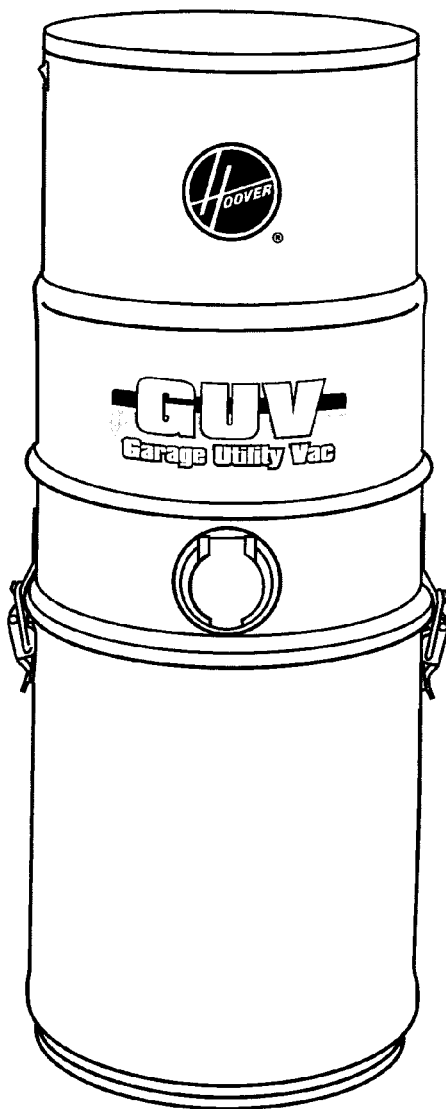


SECTION CONTENTS

<u>MODEL NO.</u>	<u>PAGE NO.</u>
L2310	26-2 THRU 26-3
L2315	26-2 THRU 26-3

MODEL No.

L2310
L2315



FLOOR EQUIPMENT PARTS.COM

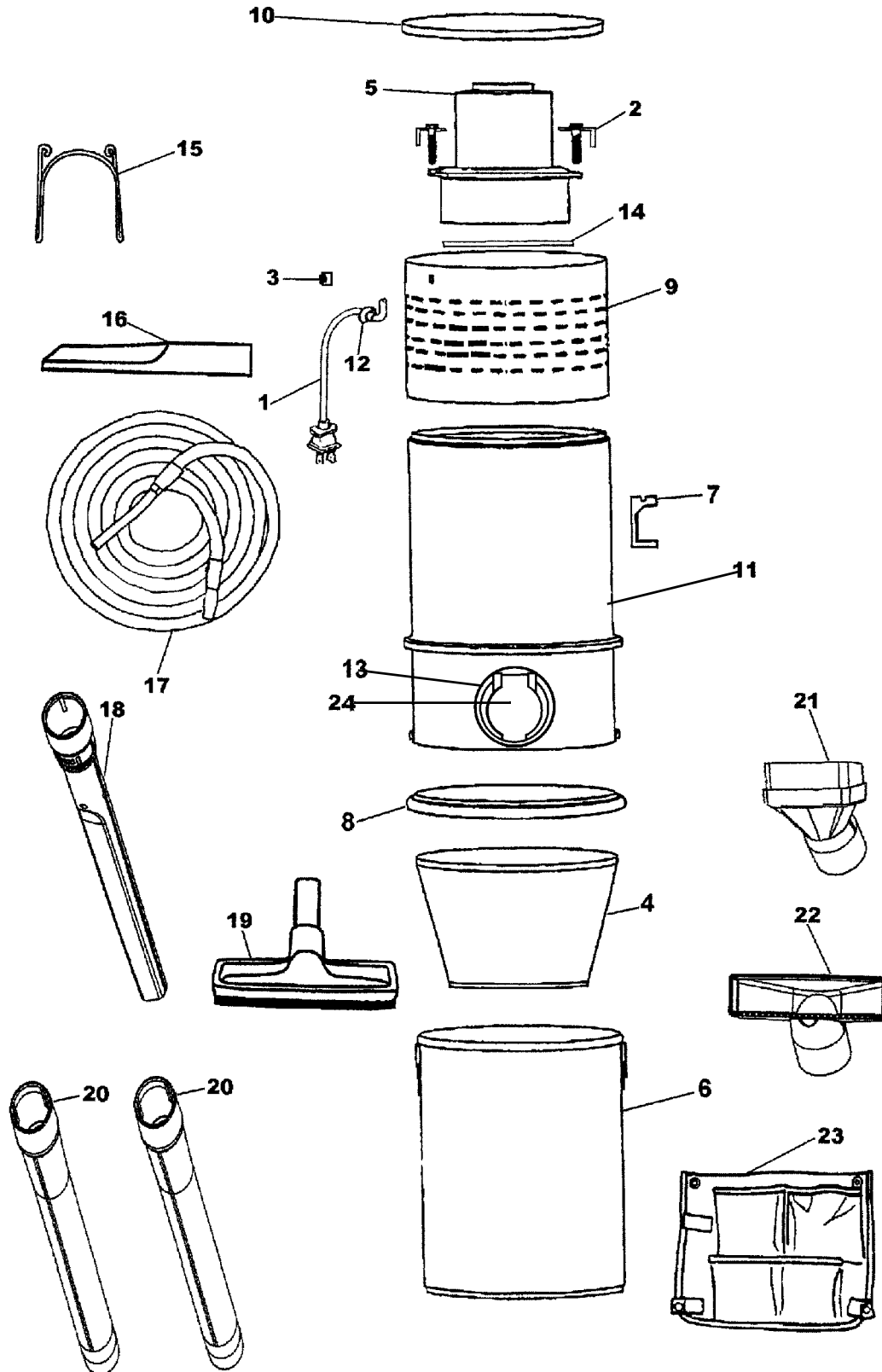
- * PRICING, SPECIFICATION'S, AND PRODUCT AVAILABILITY ARE SUBJECT TO CHANGE WITHOUT NOTICE. PRICING IS FOB FACTORY, CANTON, OH
- * ALL INFORMATION CONTAINED WITHIN THIS SERVICE MANUAL IS PROPRIETARY INFORMATION OF TTI FLOOR CARE NORTH AMERICA.
- * **WARNING:** TO REDUCE THE RISK OF ELECTRICAL SHOCK OR INJURY, ALWAYS DISCONNECT THE APPLIANCE CORD FROM THE ELECTRICAL OUTLET OR REMOVE BATTERY PRIOR TO SERVICING THE UNIT.



GUV™ Garage Utility Vac

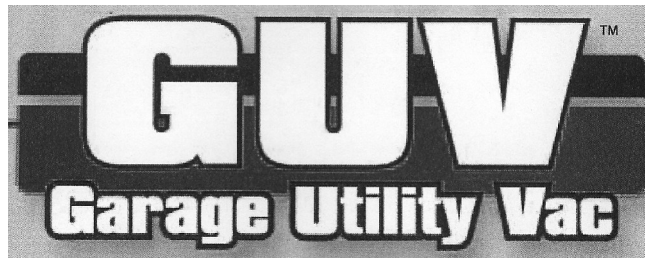
26

ASSEMBLY SCHEMATIC



MODEL NO.

L2310
L2315



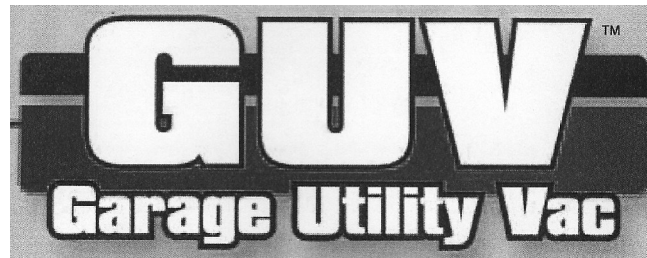
26

PART LISTING / PRICE LIST

MODEL No.

L2310
L2315

ITEM	PART NUMBER	MODELS TO FIT	PART DESCRIPTION	LIST COST
1	59644014	L2310, L2315	CORD ASSEMBLY	17.00
2	59644007	L2310	MOTOR BRACKET	2.82
	59644089	L2315	MOTOR BRACKET	PENDING
3	28161067	L2310, L2315	SWITCH	2.63
4	59644002	L2310, L2315	FILTER	58.79
5	43576224	L2310	MOTOR - REPLACED BY 59644088 AND 59644117	N.L.A.
	59644088	L2315	MOTOR - 10 AMP	59.96
6	59644008	L2310	BOTTOM DIRT CONTAINER ASSEMBLY - GREY	102.05
	59644090	L2315	BOTTOM DIRT CONTAINER ASSEMBLY - RED	PENDING
7	59132022	L2310	WALL BRACKET	13.60
	59132280	L2315	WALL BRACKET	PENDING
8	59132023	L2310	GASKET - 11.5"	9.74
	59644110	L2315	GASKET - 11.5"	4.55
9	59644012	L2310	SHROUD	63.49
	59644093	L2315	SHROUD	PENDING
10	59644009	L2310	COVER ASSEMBLY - GREY	N.L.A.
	59644095	L2315	COVER ASSEMBLY - RED	PENDING
11	59644010	L2310	BODY ASSEMBLY - GREY	90.71
	59644091	L2315	BODY ASSEMBLY - RED	PENDING
12	27482231	L2310	STRAIN RELIEF	1.12
	56944069	L2315	STRAIN RELIEF	N.A.
13	59132039	L2310, L2315	INTAKE GROMMET	4.53
14	59644016	L2310, L2315	SMALL GASKET - INCLUDED WITH #11	5.66
15	33188001	L2310	WIRE FRAME HOSE RACK	9.74
	59644061	L2315	WIRE FRAME HOSE RACK	PENDING
16	38617033	L2310, L2315	CREVICE TOOL - 7"	3.39
17	59644019	L2310	HOSE ASSEMBLY - 30'	79.37
	59644098	L2315	HOSE ASSEMBLY - 35'	83.40
18	38617031	L2310, L2315	CREVICE TOOL - LONG	5.66
19	43414196	L2310	HARD FLOOR BRUSH	36.01
	59644081	L2315	HARD FLOOR BRUSH - 14"	10.08
20	38634078	L2310, L2315	EXTENSION TUBE	6.79
21	43414197	L2310, L2315	DUSTING BRUSH ASSEMBLY - BLACK	2.68
22	38614044	L2310, L2315	FURNITURE NOZZLE	5.66



26

PART LISTING / PRICE LIST

MODEL NO.

L2310
L2315

ITEM	PART NUMBER	MODELS TO FIT	PART DESCRIPTION	LIST COST
23	59644021	L2310, L2315	TOOL CADDY	28.34
24	59644011	L2310, L2315	UTILITY VALVE / RETAINER RING COVER	15.87
	59644017	L2310, L2315	BAFFLE AND FOAM ASSEMBLY	10.20
	59644018	L2310, L2315	SCREW PACK - 4 SCREWS AND PLUGS	2.03
	59644106	L2315	MOTOR MOUNTING HARDWARE PACK - FOR 59644088 / 10 AMP MOTOR ORDER 59644117	N.A.
	59644107	L2315	MOUNTING BOLT HARDWARE PACK	PENDING
	59644117	L2310, L2315	MOTOR MOUNTING KIT - 10 AMP MOTOR 2 - 27618106 / WIRE CONNECTOR 1 - 36322030 / MOTOR MOUNT - SMALL 2 - 59644105 / LOCK WAHER - 1/4" ID 1 - 59644110 / MOTOR GASKET - 2.750" ID 1 - 59644111 / MOTOR BRACKET 2 - 59644113 / SCREW - 1/4" DIA 20 THD x 3/4" 1 - 59644114 / TCO 120 DEG C 1 - 59644115 / TIE WRAP 1 - 59644116 / SNAP-ON HUB	11.71