



Wet Dry  
HandVac



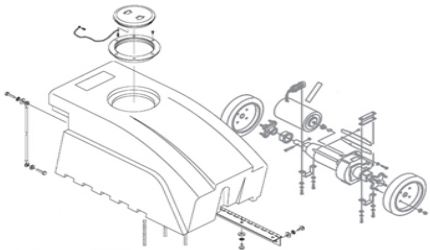
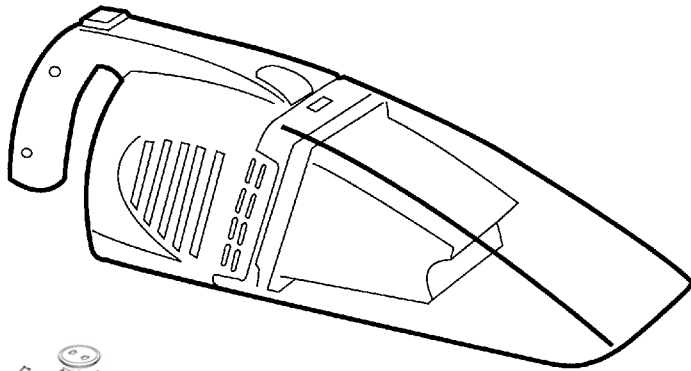
20

SECTION CONTENTS

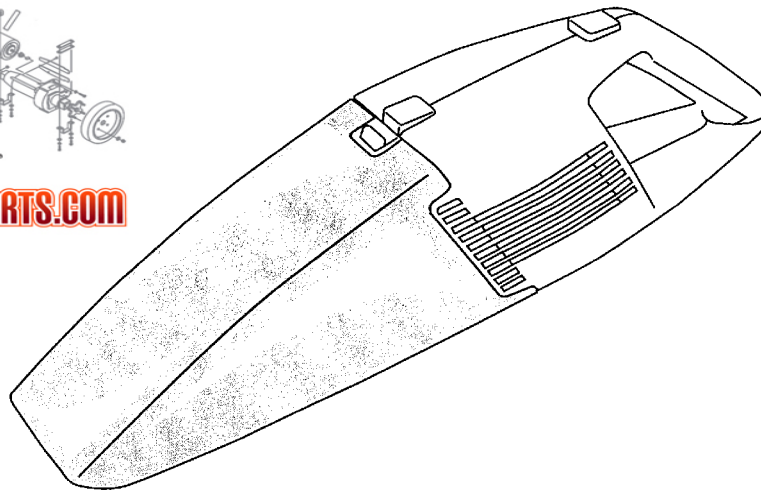
<u>MODEL NO.</u>	<u>PAGE NO.</u>
S1120	20-2 THRU 20-3
L2020	20-4 THRU 20-5

MODEL NO.

L2020  
S1120



FLOOREQUIPMENTPARTS.COM



- \* PRICING, SPECIFICATION'S, AND PRODUCT AVAILABILITY ARE SUBJECT TO CHANGE WITHOUT NOTICE. PRICING IS FOB FACTORY, CANTON, OH
- \* ALL INFORMATION CONTAINED WITHIN THIS SERVICE MANUAL IS PROPRIETARY INFORMATION OF TTI FLOOR CARE NORTH AMERICA.
- \* **WARNING:** TO REDUCE THE RISK OF ELECTRICAL SHOCK OR INJURY, ALWAYS DISCONNECT THE APPLIANCE CORD FROM THE ELECTRICAL OUTLET OR REMOVE BATTERY PRIOR TO SERVICING THE UNIT.

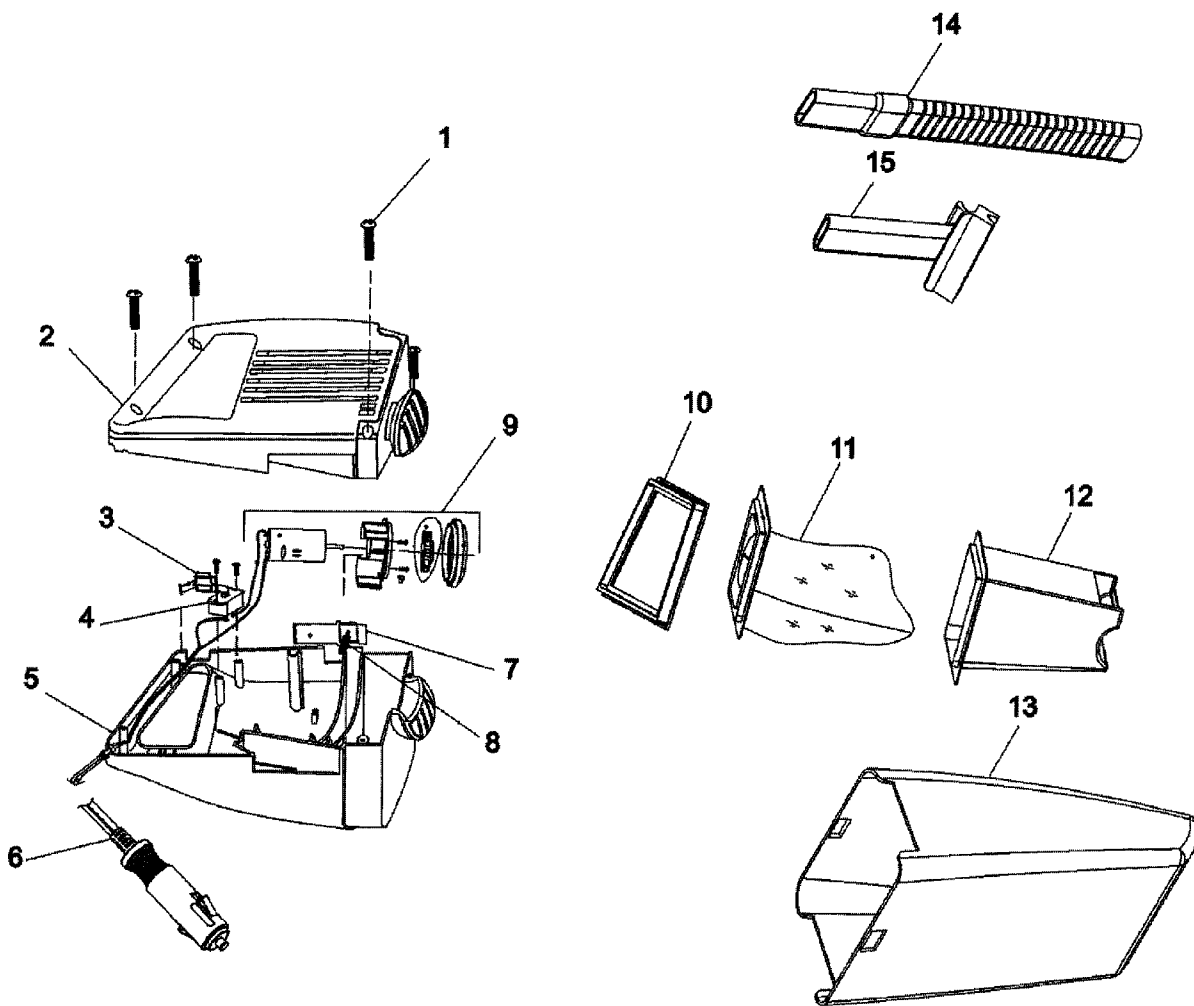


20

ASSEMBLY SCHEMATIC

MODEL NO.

L2020





20

PART LISTING / PRICE LIST

MODEL No.

L2020

ITEM	PART NUMBER	MODELS TO FIT	PART DESCRIPTION	LIST COST
1	59139113	L2020	SCREW	N.A.
2	93001806	L2020	HOUSING - RIGHT	5.66
3	59139173	L2020	SWITCH BUTTON	1.12
4	93001807	L2020	SWITCH	5.66
5	93001808	L2020	HOUSING - LEFT	5.66
6	93001809	L2020	POWER CORD ASSEMBLY	14.16
7	93001810	L2020	LATCH BUTTON	1.69
8	93001811	L2020	LATCH BUTTON SPRING	.57
9	93001812	L2020	MOTOR AND FAN ASSEMBLY	15.87
10	93001813	L2020	FILTER SEAL	2.03
11	59139102	L2020	FILTER SUPPORT ASSEMBLY	6.79
12	59139170	L2020	SEPARATOR	4.53
13	93001814	L2020	DIRT CUP	7.93
14	59139122	L2020	CREVICE TOOL	3.39
15	59139123	L2020	SQUEEGEE	4.07



*Wet Dry*  
HandVac



20

NOTES

MODEL NO.

L2020  
S1120