



# télios canister duros™

WindTunnel  
Canister Cleaner

MAYTAG  
Legacy  
Series

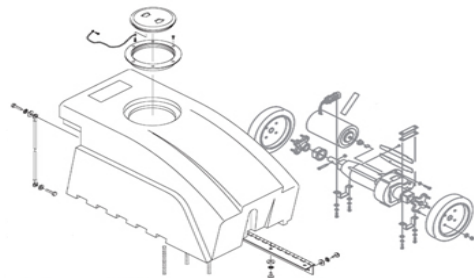
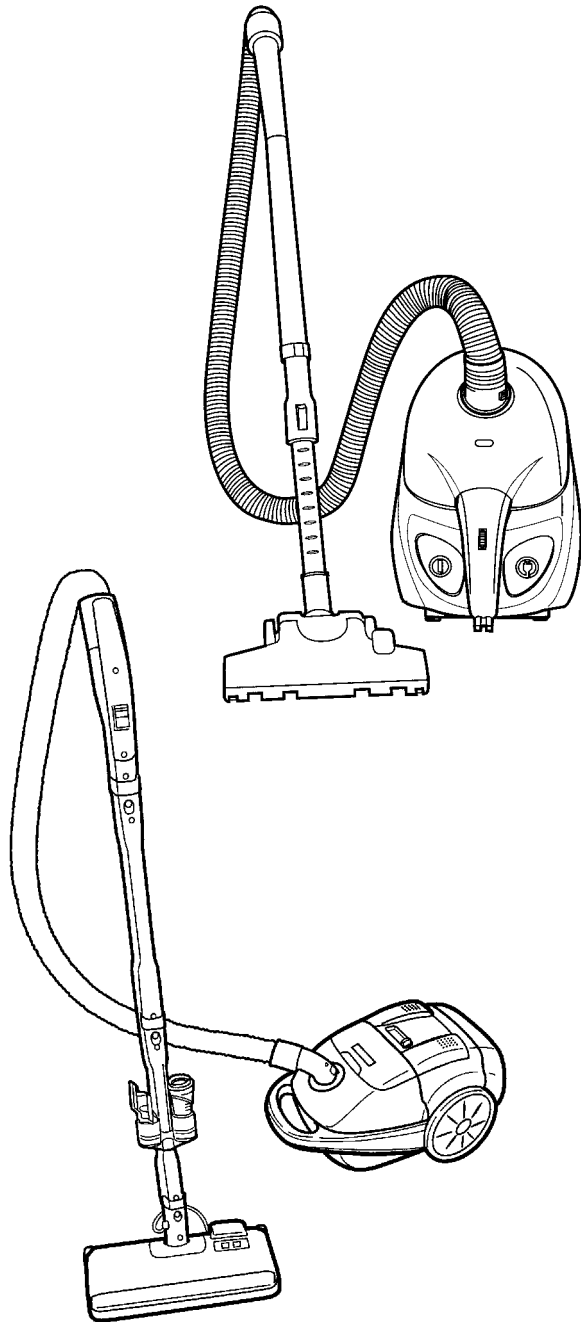
# 16

## SECTION CONTENTS

| <u>MODEL NO.</u> | <u>PAGE NO.</u>  |
|------------------|------------------|
| S1361            | 16-2 THRU 16-4   |
| S3332            | 16-5 THRU 16-7   |
| S3590            | 16-8 THRU 16-14  |
| S3591            | 16-8 THRU 16-14  |
| S3592            | 16-8 THRU 16-14  |
| S3670            | 16-15 THRU 16-18 |

## MODEL NO.

S1361  
S3332  
S3590  
S3591  
S3592  
S3670



**FLOOR-EQUIPMENT-PARTS.COM**

- \* PRICING, SPECIFICATION'S, AND PRODUCT AVAILABILITY ARE SUBJECT TO CHANGE WITHOUT NOTICE. PRICING IS FOB FACTORY, CANTON, OH
- \* ALL INFORMATION CONTAINED WITHIN THIS SERVICE MANUAL IS PROPRIETARY INFORMATION OF TTI FLOOR CARE NORTH AMERICA.
- \* **WARNING:** TO REDUCE THE RISK OF ELECTRICAL SHOCK OR INJURY, ALWAYS DISCONNECT THE APPLIANCE CORD FROM THE ELECTRICAL OUTLET OR REMOVE BATTERY PRIOR TO SERVICING THE UNIT.



duros™

MAYTAG

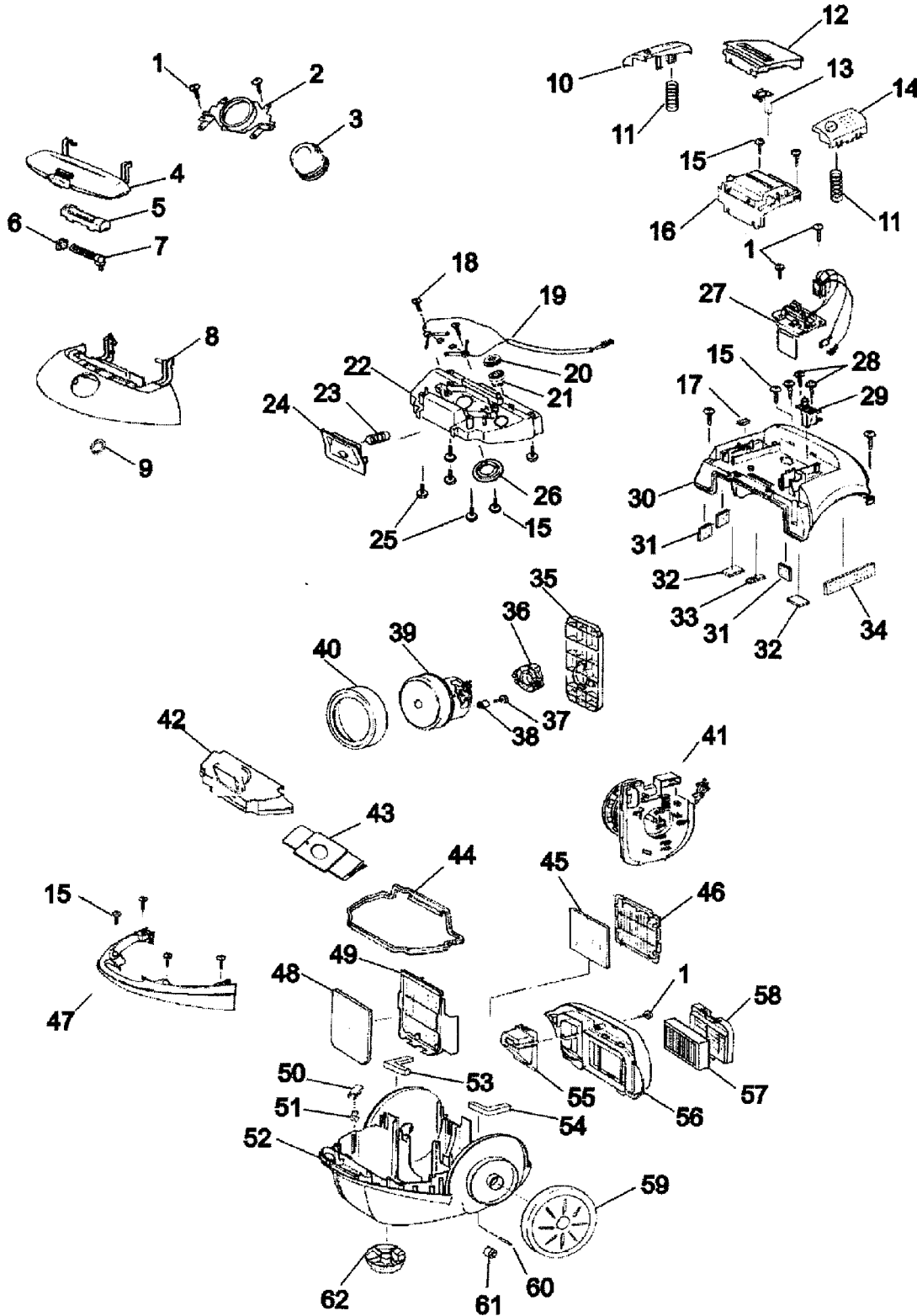
Legacy  
Series

16

ASSEMBLY SCHEMATIC

MODEL NO.

S3590  
S3591  
S3592





duros™

MAYTAG

Legacy Series

16

PART LISTING / PRICE LIST

| ITEM | PART NUMBER | MODELS TO FIT       | PART DESCRIPTION               | LIST COST |
|------|-------------|---------------------|--------------------------------|-----------|
| 1    | 93001579    | S3590, S3591, S3592 | SCREW - 4MM X 16MM             | .57       |
| 2    | 93001524    | S3590, S3591, S3592 | CONTACT SUPPORT HOLDER         | 2.26      |
| 3    | 93001525    | S3590, S3591, S3592 | HOSE SWIVEL CONTACT ASSEMBLY   | 5.66      |
| 4    | 93001528    | S3590               | TOOL COVER                     | 5.09      |
|      | 93002240    | S3591, S3592        | TOOL COVER                     | N.A.      |
| 5    | 93001569    | S3590, S3591, S3592 | FULL BAG INDICATOR COVER       | 1.12      |
| 6    | 93001570    | S3590, S3591, S3592 | FILTER - FULL BAG INDICATOR    | 1.12      |
| 7    | 93001571    | S3590, S3591, S3592 | FULL BAG INDICATOR ASSEMBLY    | N.A.      |
| 8    | 93001565    | S3590               | BAG LID ASSEMBLY               | 17.00     |
|      | 93002242    | S3591, S3592        | BAG LID ASSEMBLY               | N.A.      |
| 9    | 93001566    | S3590, S3591, S3592 | BAG LID FOAM SEAL              | 1.12      |
| 10   | 93001539    | S3590, S3591, S3592 | CORD REEL PEDAL                | 2.82      |
| 11   | 93001529    | S3590, S3591, S3592 | PEDAL SPRING                   | N.A.      |
| 12   | 93001523    | S3590               | COVER PLATE                    | N.A.      |
|      | 93002239    | S3591               | COVER PLATE                    | N.A.      |
|      | 59134274    | S3592               | COVER PLATE                    | N.A.      |
| 13   | 93001555    | S3590               | SLIDE CONTROL KNOB             | 1.12      |
|      | 93002241    | S3591, S3592        | SLIDE CONTROL KNOB             | N.A.      |
| 14   | 93001540    | S3590, S3591, S3592 | ON/OFF PEDAL                   | 2.82      |
| 15   | 93001577    | S3590, S3591, S3592 | SCREW - 4MM X 20MM             | N.A.      |
| 16   | 93001522    | S3590, S3591, S3592 | SPEED CONTROL COVER            | 4.53      |
| 17   | 93001517    | S3590, S3591, S3592 | FOAM SEAL - .875" X .375"      | N.A.      |
| 18   | 59134118    | S3590, S3591, S3592 | SCREW - 3MM X 8MM              | N.A.      |
| 19   | 93001526    | S3590, S3591, S3592 | HOSE SWIVEL HARNESS ASSEMBLY   | 7.93      |
| 20   | 93001542    | S3590, S3591, S3592 | POPPET VALVE                   | N.A.      |
| 21   | 93001543    | S3590, S3591, S3592 | POPPET VALVE GASKET            | N.A.      |
| 22   | 93001567    | S3590               | BAG LID BACKING PLATE ASSEMBLY | 11.33     |
|      | 93002243    | S3591, S3592        | BAG LID BACKING PLATE ASSEMBLY | PENDING   |
| 23   | 93001546    | S3590, S3591, S3592 | BAG LATCH SPRING               | 1.12      |
| 24   | 93001545    | S3590, S3591, S3592 | BAG LID LATCH                  | 2.26      |
| 25   | 93001576    | S3590, S3591, S3592 | SCREW - 4MM X 10MM             | N.A.      |
| 26   | 93001568    | S3590, S3591, S3592 | BACKING PLATE SEAL             | N.A.      |
| 27   | 93001556    | S3590, S3591, S3592 | SPEED CONTROL BOARD            | 34.01     |
| 28   | 93001578    | S3590, S3591, S3592 | SCREW - 3MM X 10MM             | N.A.      |
| 29   | 93001530    | S3590, S3591, S3592 | ON/OFF SWITCH                  | 4.53      |
| 30   | 93001516    | S3590               | MOTOR COVER ASSEMBLY           | N.A.      |
|      | 93002238    | S3591, S3592        | MOTOR COVER ASSEMBLY           | N.A.      |
| 31   | 93001521    | S3590, S3591, S3592 | FOAM SEAL - 1.250" X 1.250"    | N.A.      |

MODEL No.

S3590  
S3591  
S3592



duros™

MAYTAG

Legacy Series

16

PART LISTING / PRICE LIST

MODEL No.

S3590  
S3591  
S3592

| ITEM | PART NUMBER | MODELS TO FIT       | PART DESCRIPTION              | LIST COST     |
|------|-------------|---------------------|-------------------------------|---------------|
| 32   | 93001519    | S3590, S3591, S3592 | FOAM SEAL - 1.625" X 1.250"   | N.A.          |
| 33   | 93001520    | S3590, S3591, S3592 | FOAM SEAL - 1.750" X .625"    | N.A.          |
| 34   | 93001518    | S3590, S3591, S3592 | FOAM SEAL - 4.000" X 1.375"   | N.A.          |
| 35   | 93001554    | S3590, S3591, S3592 | MOTOR MOUNT SUPPORT           | N.L.A.        |
| 36   | 93001562    | S3590, S3591, S3592 | REAR MOTOR MOUNT              | N.A.          |
| 37   | 93001560    | S3590, S3591, S3592 | MOTOR SLEEVE SCREW            | N.A.          |
| 38   | 93001559    | S3590, S3591, S3592 | MOTOR SLEEVE                  | N.A.          |
| 39   | 93001558    | S3590, S3591, S3592 | MOTOR ASSEMBLY                | 85.04         |
| 40   | 93001561    | S3590, S3591, S3592 | MOTOR MOUNT SEAL              | N.A.          |
| 41   | 93001557    | S3590, S3591, S3592 | CORD REEL ASSEMBLY COMPLETE   | 34.01         |
| 42   | 93001544    | S3590, S3591, S3592 | BAG HOLDER ASSEMBLY           | 6.79          |
| 43   | 401011SR    | S3590, S3591, S3592 | TYPE SR ALLERGEN BAG - 3 PACK | 3.62 NON DISC |
| 44   | 93001564    | S3590, S3591, S3592 | BAG COVER SEAL                | 2.82          |
| 45   | 93001535    | S3590, S3591, S3592 | EXHAUST FILTER                | 1.04          |
| 46   | 93001536    | S3590, S3591, S3592 | EXHAUST FILTER GRILL          | 3.39          |
| 47   | 93001563    | S3590, S3591, S3592 | HANDLE ASSEMBLY - UPPER       | N.A.          |
| 48   | 93001531    | S3590, S3591, S3592 | FOAM INLET FILTER             | 1.04          |
| 49   | 93001532    | S3590, S3591, S3592 | FOAM INLET FILTER HOLDER      | 2.26          |
| 50   | 93001552    | S3590, S3591        | BAG LID LEVER                 | 1.12          |
| 51   | 93001553    | S3590, S3591        | BAG LID LEVER SPRING          | 1.12          |
| 52   | 93001547    | S3590, S3591, S3592 | LOWER BASE HOUSING            | 34.01         |
| 53   | 93001548    | S3590, S3591, S3592 | FOAM - CORD REEL SIDE         | N.A.          |
| 54   | 93001549    | S3590, S3591, S3592 | FOAM - MOTOR SIDE             | N.A.          |
| 55   | 93001537    | S3590, S3591, S3592 | CORD REEL GUIDE               | 3.39          |
| 56   | 93001541    | S3590, S3591, S3592 | REAR HOUSING                  | 7.93          |
| 57   | 93001533    | S3590, S3591, S3592 | FINAL / EXHAUST FILTER        | 2.09          |
| 58   | 93001536    | S3590, S3591, S3592 | FINAL / EXHAUST GRILL         | 3.39          |
| 59   | 93001825    | S3590, S3591, S3592 | REAR WHEEL ASSEMBLY           | 7.36          |
| 60   | 93001575    | S3590, S3591, S3592 | REAR CENTER WHEEL AXLE        | 1.12          |
| 61   | 93001574    | S3590, S3591, S3592 | REAR CENTER WHEEL             | 1.69          |
| 62   | 93001824    | S3590, S3591, S3592 | SWIVEL CASTER ASSEMBLY        | 4.53          |



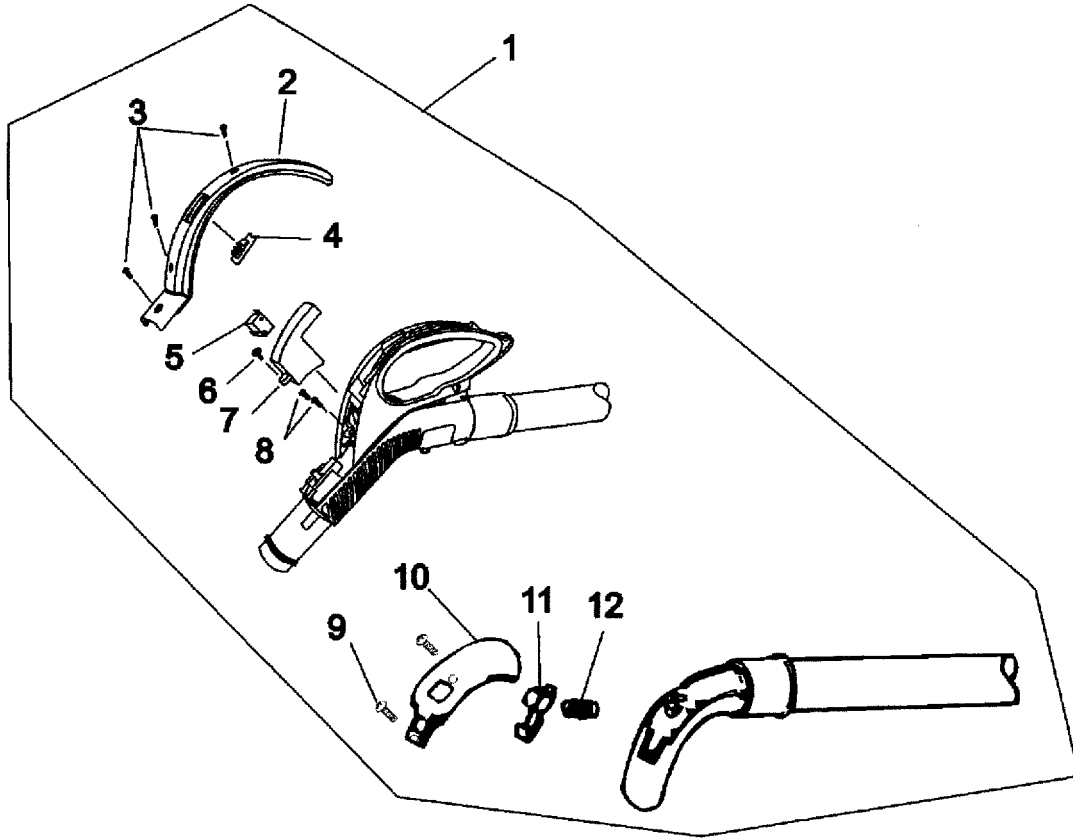
duros™

MAYTAG

Legacy Series

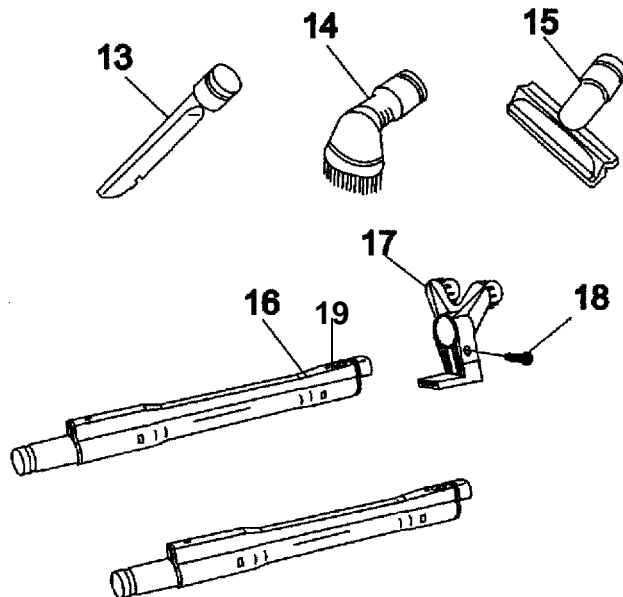
16

ASSEMBLY SCHEMATIC



MODEL NO.

S3590  
S3591  
S3592





duros™

MAYTAG

Legacy  
Series

16

PART LISTING / PRICE LIST

| ITEM | PART NUMBER | MODELS TO FIT       | PART DESCRIPTION              | LIST COST |
|------|-------------|---------------------|-------------------------------|-----------|
| 1    | 93001580    | S3590               | HOSE ASSEMBLY COMPLETE        | 49.67     |
|      | 93002244    | S3591, S3592        | HOSE ASSEMBLY COMPLETE        | 56.69     |
| 2    | 93001585    | S3590               | GRIP COVER PLATE              | 3.39      |
|      | 93002246    | S3591, S3592        | GRIP COVER PLATE              | N.A.      |
| 3    | 93001586    | S3590, S3591, S3592 | SCREW - SELF TAPPING          | N.A.      |
| 4    | 93001587    | S3590               | SWITCH BUTTON                 | N.A.      |
|      | 93002247    | S3591, S3592        | SWITCH BUTTON                 | N.A.      |
| 5    | 93001588    | S3590, S3591, S3592 | MICRO SWITCH                  | 4.53      |
| 6    | 93001589    | S3590, S3591, S3592 | SCREW - SELF TAPPING          | 1.12      |
| 7    | 93001590    | S3590, S3591, S3592 | SWITCH MOUNT                  | 1.12      |
| 8    | 93001586    | S3590, S3591, S3592 | SCREW - SELF TAPPING          | N.A.      |
| 9    | 93001582    | S3590, S3591, S3592 | SCREW - SELF TAPPING          | .57       |
| 10   | 93001581    | S3590               | GRIP HANDLE COVER - UPPER     | 1.12      |
|      | 93002245    | S3591, S3592        | GRIP HANDLE COVER - UPPER     | N.A.      |
| 11   | 93001583    | S3590, S3591, S3592 | WAND LATCHING LEVER           | 1.12      |
| 12   | 93001584    | S3590, S3591, S3592 | WAND LATCHING LEVER SPRING    | 1.12      |
| 13   | 93001538    | S3590, S3591, S3592 | CREVICE TOOL                  | 4.53      |
| 14   | 93001593    | S3590, S3591, S3592 | FURNITURE BRUSH - ROTATING    | 6.79      |
| 15   | 93001594    | S3590, S3591, S3592 | UPHOLSTERY BRUSH              | 6.79      |
| 16   | 93001591    | S3590               | WAND ASSEMBLY                 | 34.01     |
|      | 93002248    | S3591, S3592        | WAND ASSEMBLY                 | 22.67     |
| 17   | 93001592    | S3590, S3591, S3592 | WAND STORAGE CLIP TOOL HOLDER | 2.26      |
| 18   | 93001589    | S3590, S3591, S3592 | SCREW - SELF TAPPING          | 1.12      |
| 19   | 59134271    | S3590, S3591, S3952 | WAND LATCH                    | 1.05      |

MODEL No.

S3590  
S3591  
S3592



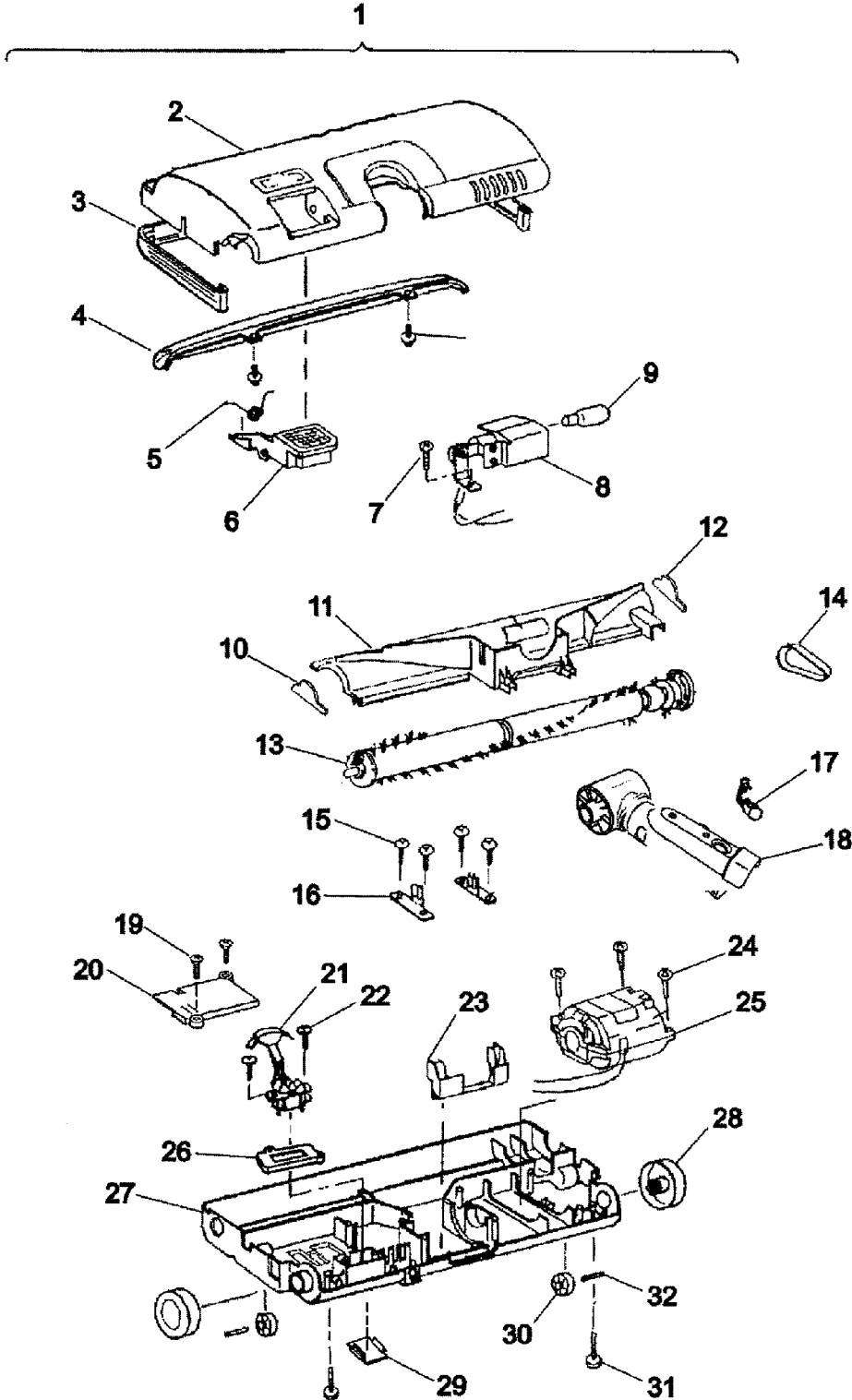
duros™

MAYTAG

Legacy  
Series

16

ASSEMBLY SCHEMATIC



MODEL NO.

S3590  
S3591  
S3592



duros™

MAYTAG  
Legacy  
Series

16

PART LISTING / PRICE LIST

| ITEM | PART NUMBER | MODELS TO FIT       | PART DESCRIPTION                | LIST COST |
|------|-------------|---------------------|---------------------------------|-----------|
| 1    | 93001595    | S3590               | POWER NOZZLE ASSEMBLY           | 57.49     |
|      | 93002249    | S3591               | POWER NOZZLE ASSEMBLY           | 113.39    |
|      | 59134277    | S3592               | POWER NOZZLE ASSEMBLY           | N.A.      |
| 2    | 93001597    | S3590               | HOOD / NOZZLE COVER             | 12.46     |
|      | 93002250    | S3591               | HOOD / NOZZLE COVER             | N.A.      |
|      | 59134278    | S3592               | HOOD / NOZZLE COVER             | N.A.      |
| 3    | 93001598    | S3590, S3591, S3592 | FURNITURE GUARD                 | 3.39      |
| 4    | 93001599    | S3590, S3591, S3592 | HEAD LAMP LENS                  | 1.60      |
|      | 93001600    | S3590, S3591, S3592 | LENS SCREW                      | N.A.      |
| 5    | 93001602    | S3590, S3591        | PEDAL SPRING                    | N.A.      |
| 6    | 93001601    | S3590               | SWITCH PEDAL ASSEMBLY           | 4.53      |
|      | 93002251    | S3591, S3592        | SWITCH PEDAL ASSEMBLY           | N.A.      |
| 7    | 93001603    | S3590, S3591, S3592 | SCREW                           | N.A.      |
| 8    | 93001617    | S3590, S3591, S3592 | HEAD LAMP SOCKET ASSEMBLY       | 4.53      |
| 9    | 93001618    | S3590, S3591, S3592 | HEAD LAMP                       | 5.66      |
| 10   | 93001623    | S3590, S3591, S3592 | FOAM SEAL - AGITATOR            | 1.12      |
| 11   | 93001622    | S3590, S3591, S3592 | AGITATOR / BRUSH ROLL COVER     | N.A.      |
| 12   | 93001605    | S3590, S3591, S3592 | FOAM SEAL - AGITATOR PULLEY END | 1.12      |
| 13   | 93001624    | S3590, S3591, S3592 | AGITATOR / BRUSH ROLL ASSEMBLY  | 22.67     |
| 14   | 93001625    | S3590, S3591, S3592 | AGITATOR / BRUSH ROLL BELT      | 2.61      |
| 15   | 93001603    | S3590, S3591, S3592 | SCREW                           | N.A.      |
| 16   | 93001606    | S3590, S3591, S3592 | BRACKET                         | N.A.      |
| 17   | 93001610    | S3590, S3591, S3592 | STRAIN RELIEF                   | 1.12      |
| 18   | 93001613    | S3590               | WAND SWIVEL ATTACHMENT ASSEMBLY | 11.33     |
|      | 93002252    | S3591, S3592        | WAND SWIVEL ATTACHMENT ASSEMBLY | 8.49      |
| 19   | 93001603    | S3590, S3591, S3592 | SCREW                           | N.A.      |
| 20   | 93001612    | S3590, S3591, S3592 | COVER PLATE                     | N.A.      |
| 21   | 93001608    | S3590, S3591, S3592 | SWITCH - FLOOR/RUG ADJUSTMENT   | 5.09      |
| 22   | 93001611    | S3590, S3591, S3592 | SWITCH MOUNT SCREW              | N.A.      |
| 23   | 93001615    | S3590, S3591, S3592 | WIRE CHANNEL COVER              | N.A.      |
| 24   | 93001619    | S3590, S3591, S3592 | SCREW - SELF TAPPING            | N.A.      |
| 25   | 93001626    | S3590, S3591, S3592 | AGITATOR / BRUSH ROLL MOTOR     | 45.99     |
| 26   | 93001609    | S3590, S3591, S3592 | SWITCH MOUNT PLATE              | 1.69      |
| 27   | 93001604    | S3590, S3591, S3592 | BASE PLATE ASSEMBLY             | 20.40     |
| 28   | 93001614    | S3590, S3591, S3592 | REAR WHEEL                      | .68       |
| 29   | 93001616    | S3590, S3591, S3592 | BASE PLATE SNAP COVER           | N.A.      |
| 30   | 93001620    | S3590, S3591, S3592 | NOZZLE WHEEL - SMALL            | 2.26      |
| 31   | 93001596    | S3590, S3591, S3592 | BOTTOM PLATE / NOZZLE SCREWS    | N.A.      |
| 32   | 93001621    | S3590, S3591, S3592 | NOZZLE WHEEL AXLE               | 1.12      |

MODEL No.

S3590  
S3591  
S3592