



SteamVac™ spot duo™

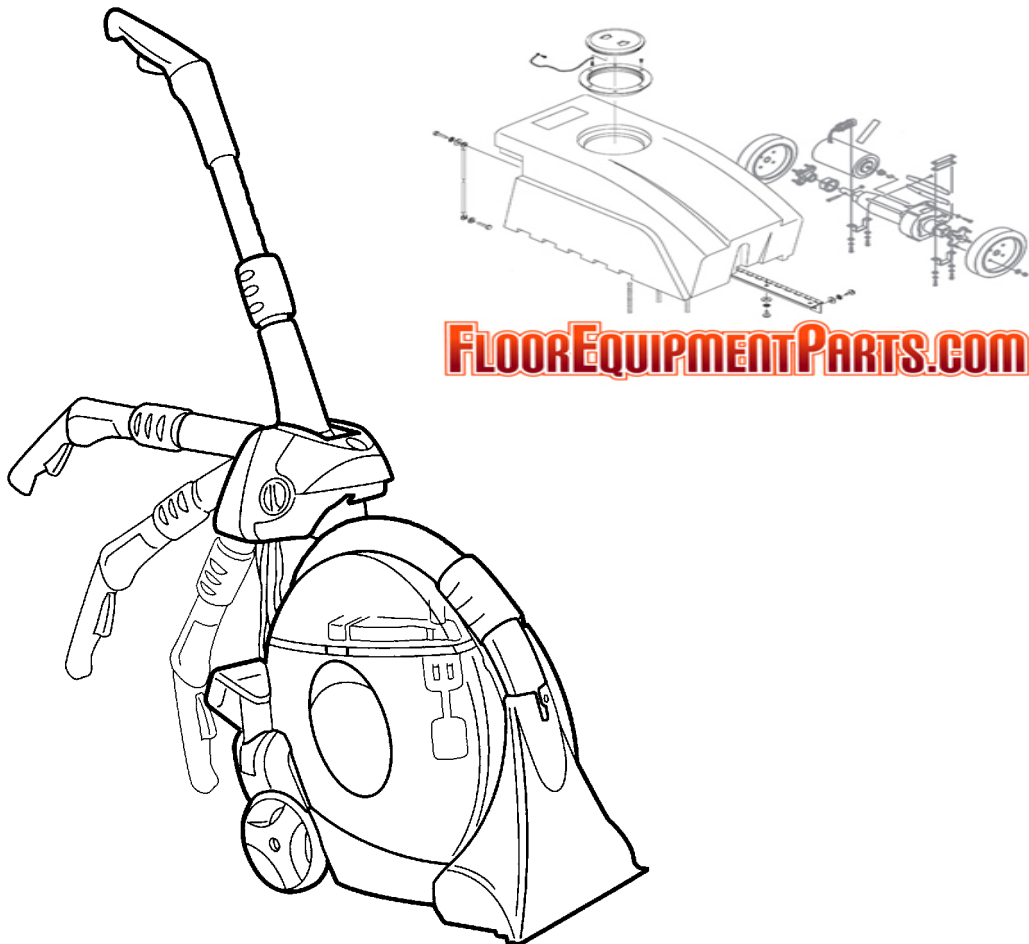
14

SECTION CONTENTS

<u>MODEL No.</u>	<u>PAGE No.</u>
F5505	14-2 THRU 14-7
F5520	14-2 THRU 14-7

MODEL No.

F5505
F5520



- * PRICING, SPECIFICATION'S, AND PRODUCT AVAILABILITY ARE SUBJECT TO CHANGE WITHOUT NOTICE. PRICING IS FOB FACTORY, CANTON, OH
- * ALL INFORMATION CONTAINED WITHIN THIS SERVICE MANUAL IS PROPRIETARY INFORMATION OF TTI FLOOR CARE NORTH AMERICA.
- * **WARNING:** TO REDUCE THE RISK OF ELECTRICAL SHOCK OR INJURY, ALWAYS DISCONNECT THE APPLIANCE CORD FROM THE ELECTRICAL OUTLET OR REMOVE BATTERY PRIOR TO SERVICING THE UNIT.



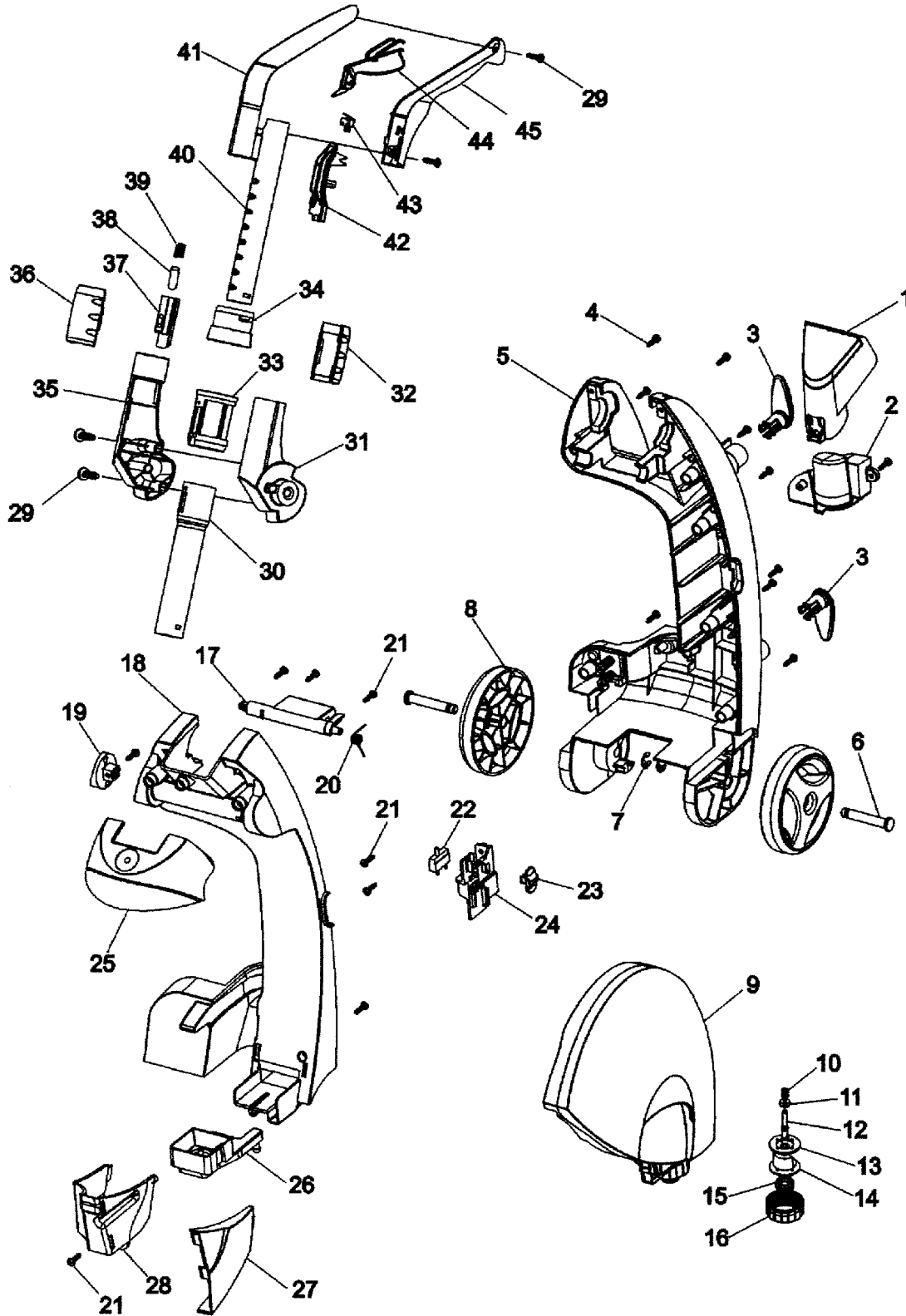
SteamVac™ spot duo™

14

ASSEMBLY SCHEMATIC

MODEL NO.

F5505
F5520





SteamVac™ spot duo™

14

PART LISTING / PRICE LIST

MODEL No.

F5505
F5520

ITEM	PART NUMBER	MODELS TO FIT	PART DESCRIPTION	LIST COST
1	93001408	F5505, F5520	UPHOLSTERY NOZZLE ASSEMBLY	3.39
2		F5505, F5520	TOOL HOLDER	N.A.
3	93001508	F5505, F5520	CORD HOOK	1.12
4	93001425	F5505, F5520	SCREW	.57
5	93001370	F5505, F5520	LOWER HANDLE - REAR	8.49
6	93001385	F5505, F5520	AXLE	1.13
7	93001386	F5505, F5520	E-CLIP	.57
8	93001384	F5505, F5520	WHEEL	2.26
9	93001800	F5505	SOLUTION TANK ASSEMBLY - RED	13.74
	93001374	F5520	SOLUTION TANK ASSEMBLY - BLUE	13.74
10	93001377	F5505, F5520	SPRING - SOLUTION TANK	.57
11	38784061	F5505, F5520	VALVE SEAL - SOLUTION TANK	1.12
12	93001378	F5505, F5520	POPPET - SOLUTION TANK	.57
13	93001417	F5505, F5520	VALVE BASE SEAL	.57
14	93001412	F5505, F5520	VALVE BASE	.57
15	93001379	F5505, F5520	O-RING CAP SEAL	.57
16	93001375	F5505, F5520	CAP - SOLUTION TANK	.57
17	93001383	F5505, F5520	RELEASE LEVER LOCK	.57
18	93001369	F5505, F5520	LOWER HANDLE - FRONT	N.L.A.
19		F5505, F5520	RELEASE LEVER - FOLDING HANDLE	N.A.
20		F5505, F5520	SPRING	N.A.
21	93001425	F5505, F5520	SCREW	.57
22	93001382	F5505, F5520	AGITATOR MOTOR CIRCUIT BREAKER	5.09
23	93001381	F5505, F5520	SWITCH BUTTON	.57
24	93001380	F5505, F5520	ON-OFF SWITCH ASSEMBLY	1.69
25		F5505, F5520	CARRY HANDLE	N.L.A.
26	93001434	F5505, F5520	RESERVOIR ASSEMBLY	1.13
27	93001372	F5505, F5520	SOLUTION TANK SUPPORT - FRONT	1.13
28	93001373	F5505, F5520	SOLUTION TANK SUPPORT - REAR	1.13
29	93001425	F5505, F5520	SCREW	.57
30		F5505, F5520	LOWER TUBE - TELESCOPING HANDLE	N.A.
31	93001388	F5505, F5520	MOUNT - TELESCOPING HANDLE - LEFT	2.26
32	93001399	F5505, F5520	CLUTCH HOUSING - REAR	1.13
33		F5505, F5520	BUSHING - LOWER TUBE	N.A.
34	93001392	F5505, F5520	BUSHING - UPPER TUBE	.57
35	93001389	F5505, F5520	MOUNT - TELESCOPING HANDLE - RIGHT	2.26



SteamVac™ spot duo™

14

PART LISTING / PRICE LIST

ITEM	PART NUMBER	MODELS TO FIT	PART DESCRIPTION	LIST COST
36	93001398	F5505, F5520	CLUTCH HOUSING - FRONT	1.13
37	93001394	F5505, F5520	TUBE LOCK	.57
38	93001509	F5505, F5520	CLUTCH SLIDE	1.12
39	93001395	F5505, F5520	SPRING	.57
40	93001391	F5505, F5520	UPPER TUBE - TELESCOPING HANDLE	2.59
41	93001402	F5505, F5520	HANDLE GRIP - LEFT	1.69
42	93001401	F5505, F5520	SWITCH AND TRIGGER SUPPORT	.57
43	93001405	F5505, F5520	MICROSWITCH - ACTIVATE VALVE	4.29
44	93001404	F5505, F5520	TRIGGER	.57
45	93001403	F5505, F5520	HANDLE GRIP - RIGHT	1.69

MODEL No.

F5505

F5520



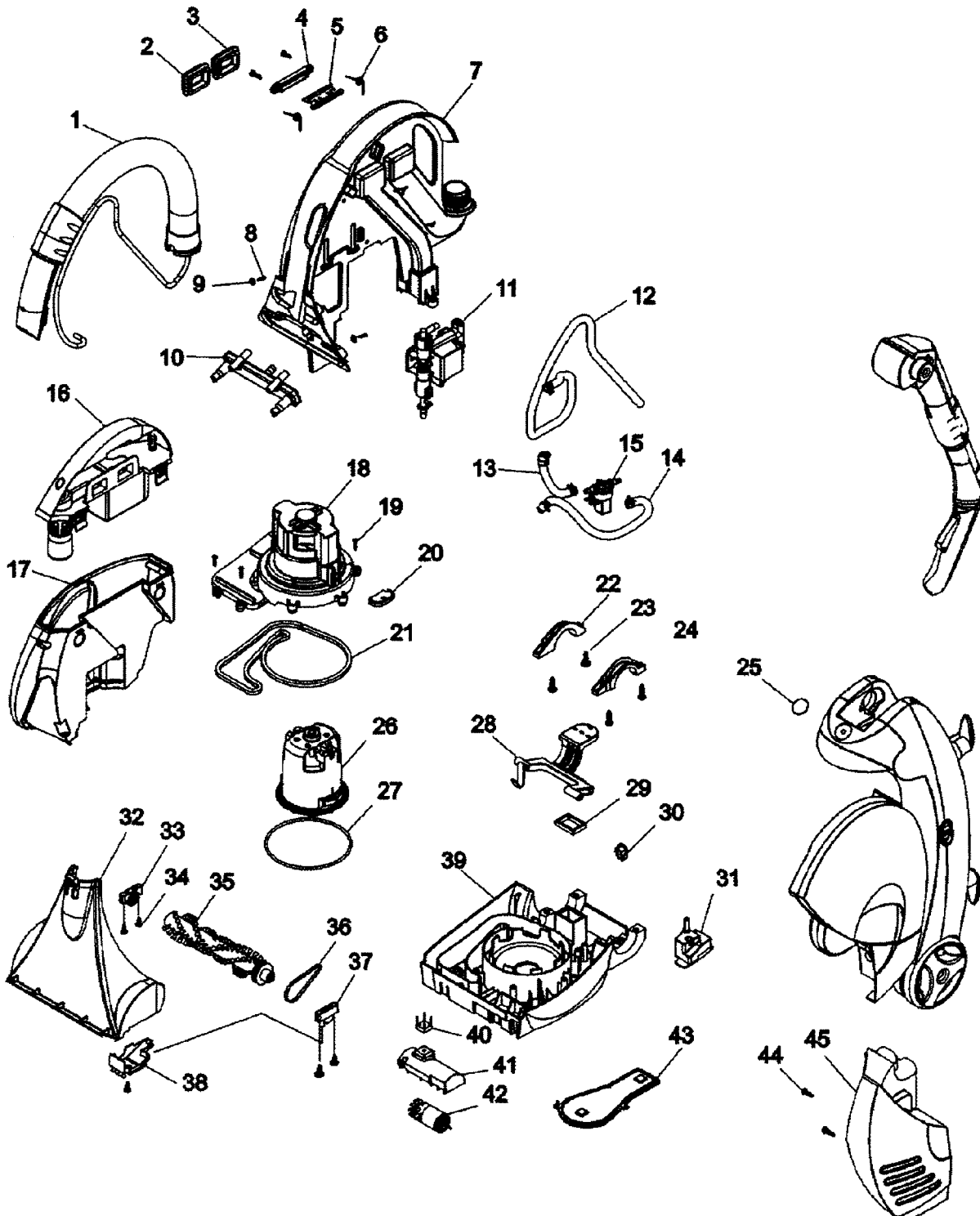
SteamVac™ spot duo™

14

ASSEMBLY SCHEMATIC

MODEL NO.

F5505
F5520





SteamVac™ spot duo™

14

PART LISTING / PRICE LIST

MODEL No.

F5505
F5520

ITEM	PART NUMBER	MODELS TO FIT	PART DESCRIPTION	LIST COST
1	93001349	F5505, F5520	HOSE ASSEMBLY	19.83
2	93001357	F5505, F5520	OUTLET SEAL W/SCREEN - DIRTY WATER TANK	2.26
3	93001356	F5505, F5520	INLET SEAL - DIRTY WATER TANK	.57
4	93001420	F5505, F5520	LATCH RETAINER - DIRTY WATER TANK	.57
		F5505, F5520	LATCH RETAINER SCREW	N.A.
5	93001418	F5505, F5520	LATCH - DIRTY WATER TANK	.57
6	93001419	F5505, F5520	SPRING	.57
7	93001433	F5505, F5520	SPINE ASSEMBLY	7.36
8		F5505, F5520	SCREW	N.A.
9	93001430	F5505, F5520	WASHER	.57
10		F5505, F5520	FLOOR NOZZLE SPRAY ASSEMBLY	N.A.
11	93001355	F5505, F5520	SOLENOID PUMP	36.84
12	93001502	F5505, F5520	SOLUTION TUBING	2.82
	93001506	F5505, F5520	TUBING CLAMP	1.69
13	93001503	F5505, F5520	SOLUTION TUBING	2.82
	93001506	F5505, F5520	TUBING CLAMP	1.69
	93001505	F5505, F5520	TUBING CLAMP	1.69
14	93001504	F5505, F5520	SOLUTION TUBING	2.82
	93001506	F5505, F5520	TUBING CLAMP	1.69
15	93001363	F5505, F5520	SOLENOID PRESSURE VALVE - FLUID	7.93
16	93001802	F5505	DIRTY WATER TANK LID ASSEMBLY - RED	12.46
	93001431	F5520	DIRTY WATER TANK LID ASSEMBLY - BLUE	12.46
	93001407	F5505, F5520	DIRTY WATER TANK BUCKLE	.57
17	93001801	F5505	RECOVERY TANK ASSEMBLY - RED	13.60
	93001406	F5520	RECOVERY TANK ASSEMBLY - BLUE	13.60
18		F5505, F5520	MOTOR COVER	N.A.
19		F5505, F5520	SCREW	N.A.
20		F5505, F5520	SLIDE SEAL	N.A.
21	93001368	F5505, F5520	MOTOR COVER SEAL	2.26
22	93001360	F5505, F5520	TRUNNION COVER - RIGHT	.57
23	93001425	F5505, F5520	SCREW	.57
24	93001361	F5505, F5520	TRUNNION COVER - LEFT	.57
25	93001429	F5505, F5520	.	.57
26	93001365	F5505, F5520	MOTOR FAN ASSEMBLY	50.45
27	93001507	F5505, F5520	O-RING - MOTOR SEAL	1.69
28	93001362	F5505, F5520	HANDLE RELEASE PEDAL	1.13



SteamVac™ spot duo™

14

PART LISTING / PRICE LIST

MODEL No.

F5505
F5520

ITEM	PART NUMBER	MODELS TO FIT	PART DESCRIPTION	LIST COST
29	93001358	F5505, F5520	DIRTY WATER TANK DUCT MAIN BODY - BLUE	79.37
30	93001428	F5505, F5520	CORD RETAINER	.57
31	93001414	F5505, F5520	HANDLE SWITCH ASSEMBLY	3.16
32	93001432	F5505, F5520	FLOOR NOZZLE ASSEMBLY - BLUE	8.49
33	93001346	F5505, F5520	SIDE SUPPORT ASSEMBY - AGITATOR	.57
34		F5505, F5520	SCREW - AGITATOR SUPPORT ASSEMBLY	N.A.
35	93001344	F5505, F5520	AGITATOR ASSEMBLY	6.56
36	93001347	F5505, F5520	AGITATOR TIMING BELT	1.05
37	93001345	F5505, F5520	BUSHING SUPPORT ASSEMBLY - AGITATOR	1.13
38	93001348	F5505, F5520	AGITATOR BELT COVER	.53
39	93001342	F5505, F5520	MAIN BODY AND DUCT COVER ASSEMBLY	7.93
40	93001367	F5505, F5520	RECTIFIER	2.59
41		F5505, F5520	AGITATOR MOTOR COVER	N.A.
		F5505, F5520	SCREW - AGITATOR MOTOR COVER	N.A.
42	93001364	F5505, F5520	AGITATOR MOTOR ASSEMBLY	6.79
43		F5505, F5520	AIR DUCT COVER	N.A.
44	93001425	F5505, F5520	SCREW	.57
45		F5505, F5520	SIDE COVER	N.A.
				N.A.
	93001409	F5505, F5520	SOLUTION TUBING ASSEMBLY	6.79
	93001436	F5505, F5520	POWER HAND TOOL	19.04
	40321048	F5505, F5520	DEEP CLEANING DETERGENT - 48 OZ	5.19
	40321050	F5505, F5520	PET FORMULA - 48 OZ	7.50
	40325032	F5505, F5520	PET STAIN/ODOR REMOVER - 32 OZ	4.94 <small>NON DISC</small>



SteamVac™
spot duo™

14

NOTES

MODEL NO.

F5505

F5520