



Floor MATE™ FloorMate

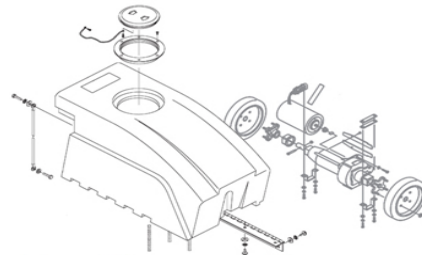
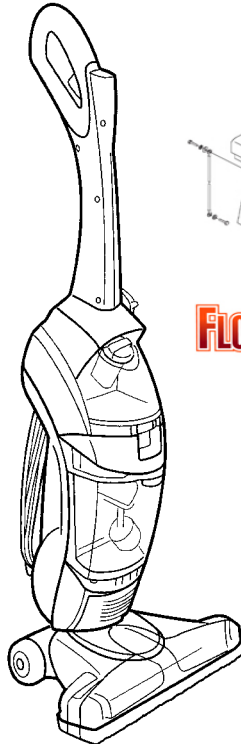
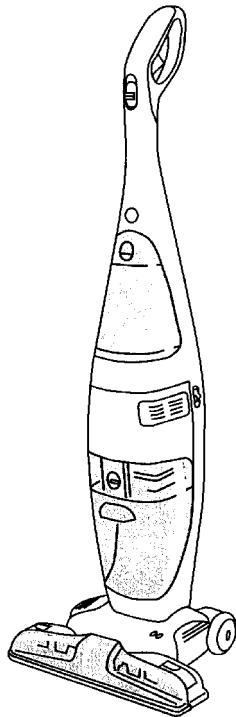
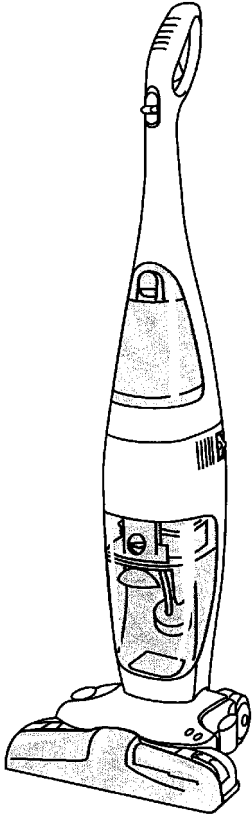


SECTION CONTENTS

<u>MODEL NO.</u>	<u>PAGE NO.</u>
H2800	12-2 THRU 12-6
H2850	12-7 THRU 12-12
H3000	12-13 THRU 12-20
H3030	12-19 THRU 12-26
H3032	12-19 THRU 12-26
H3040	12-27 THRU 12-34
H3044	12-27 THRU 12-34
H3045	12-27 THRU 12-34
H3050	12-35 THRU 12-44
H3060	12-35 THRU 12-44

MODEL No.

- H2800
- H2850
- H3000
- H3030
- H3032
- H3040
- H3044
- H3045
- H3050
- H3060



FLOOR-EQUIPMENT-PARTS.COM

- * PRICING, SPECIFICATION'S, AND PRODUCT AVAILABILITY ARE SUBJECT TO CHANGE WITHOUT NOTICE. PRICING IS FOB FACTORY, CANTON, OH
- * ALL INFORMATION CONTAINED WITHIN THIS SERVICE MANUAL IS PROPRIETARY INFORMATION OF TTI FLOOR CARE NORTH AMERICA.
- * **WARNING:** TO REDUCE THE RISK OF ELECTRICAL SHOCK OR INJURY, ALWAYS DISCONNECT THE APPLIANCE CORD FROM THE ELECTRICAL OUTLET OR REMOVE BATTERY PRIOR TO SERVICING THE UNIT.



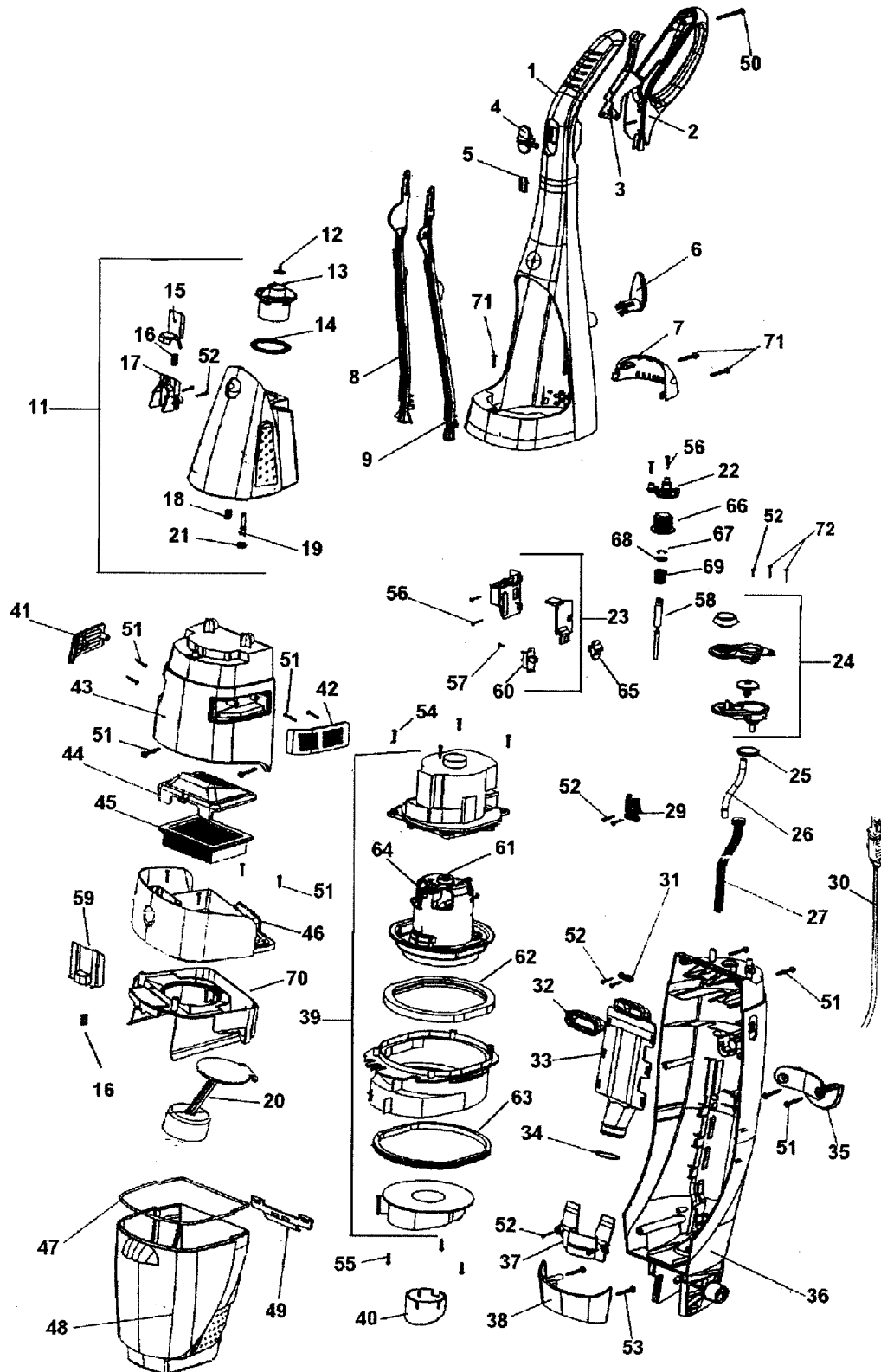
Floor MATE™

12

ASSEMBLY SCHEMATIC

MODEL NO.

H2800





Floor MATE™

12

PART LISTING / PRICE LIST

MODEL No.

H2800

ITEM	PART NUMBER	MODELS TO FIT	PART DESCRIPTION	LIST COST
1	59177211	H2800	UPPER HANDLE	15.87
2	59177212	H2800	HANDLE LEVER GUARD	4.53
3	59177058	H2800	CONTROL LEVER	3.39
4	59177137	H2800	BRUSH CONTROL BUTTON	1.12
5	59177170	H2800	CONTROL BUTTON SPRING	1.46
6	59177213	H2800	UPPER CORD WRAP	1.81
7	59177214	H2800	CARRYING HANDLE	2.26
8	59177057	H2800	UPPER CONTROL ROD	4.86
9	59177167	H2800	BRUSH CONTROL ROD	4.86
11	59177144	H2800	SOLUTION TANK	31.74
12		H2800	ORDER #13	N.A.
13	59177145	H2800	SOLUTION TANK CAP	4.06
14		H2800	O-RING ORDER #13	N.A.
15	59177146	H2800	SOLUTION TANK LATCH	1.12
16	38312014	H2800	SPRING	1.12
17	59177147	H2800	SOLUTION TANK RETAINER	1.81
18	38312014	H2800	SPRING	1.12
19	38717009	H2800	VALVE STEM	2.26
20	59177143	H2800	FLOAT	3.39
21	38784061	H2800	VALVE SEAL	1.12
22	59177168	H2800	RETAINER	1.12
23	59177402	H2800	SWITCH / HOLDER ASSEMBLY	16.75
24	59177075	H2800	RESERVOIR ASSEMBLY	4.07
25		H2800	GASKET	N.A.
26	59177006	H2800	SOLUTION TUBE	2.94
27	59177093	H2800	PROTECTOR JACKET	1.46
29	59177016	H2800	SWITCH COVER	1.12
30	59177001	H2800	POWER CORD	27.21
31	59177094	H2800	CORD CLAMP	1.12
32	59177012	H2800	HOSE SEALING GASKET	3.39
33	59177011	H2800	RECOVERY HOSE	4.53
34	59177015	H2800	O-RING	1.12
35	59177216	H2800	LOWER CORD WRAP	2.26
36	59177217	H2800	LOWER HOUSING	21.54
37	59177014	H2800	DUCT HOSE MOUNT	1.69
38	59177008	H2800	TANK BASE	3.39



Floor MATE™

12

PART LISTING / PRICE LIST

MODEL No.

H2800

ITEM	PART NUMBER	MODELS TO FIT	PART DESCRIPTION	LIST COST
39	59177074	H2800	MOTOR ASSEMBLY	79.37
40	59177095	H2800	FAN CHAMBER GASKET	1.65
41	59177219	H2800	LOUVER - RIGHT	1.46
42	59177220	H2800	LOUVER - LEFT	1.46
43	59177221	H2800	FRONT COVER	10.20
44	59177140	H2800	FILTER LID	3.14
45	40112050	H2800	TANK FILTER (1 PER)	4.99 NON DISC
46	59177139	H2800	RECOVERY TANK LID	12.46
47	59177097	H2800	TANK LID GASKET	1.46
48	59177138	H2800	RECOVERY TANK	28.34
49	59177142	H2800	RECOVERY TANK LID LOCK	2.26
50	59177054	H2800	SCREW - #8 x 45	1.12
51	59177099	H2800	SCREW - 3.5 x 20	.57
52	59177100	H2800	SCREW - 3.5 x 10	.57
53	59177101	H2800	SCREW - #8 x 30	.57
54	59177102	H2800	SCREW - 3.5 x 10 Z	.57
55	59177103	H2800	SCREW - 3.5 x 10 Z	.57
56	59177104	H2800	SCREW - 3.5 x 17	.57
57	59177105	H2800	SCREW - 2.6 x 5	.57
58	59177370	H2800	TENSION CABLE	6.79
59	59177141	H2800	RECOVERY TANK RELEASE BUTTON	1.81
60	59177048	H2800	ON-OFF SWITCH	4.29
61		H2800	ORDER #64	N.A.
62	59177108	H2800	MOTOR MOUNT INSULATOR	5.66
63	59177109	H2800	WATER SEAL	N.L.A.
64	59177092	H2800	MOTOR BRUSHES	7.93
65	59177133	H2800	SWITCH BUTTON	1.12
66	59177046	H2800	BRUSH CONTROL CAP	1.12
67	013306--	H2800	E-CLIP	N.L.A.
68	59177110	H2800	WASHER	.57
69	59177112	H2800	SPRING	1.12
70	59177114	H2800	RECOVERY CHANNEL	6.79
71	59177120	H2800	SCREW PACK	1.46
72	59177069	H2800	SCREW WITH WASHER	.62
	40303048	H2800	FLOOR CLEANER - 48 oz	4.61



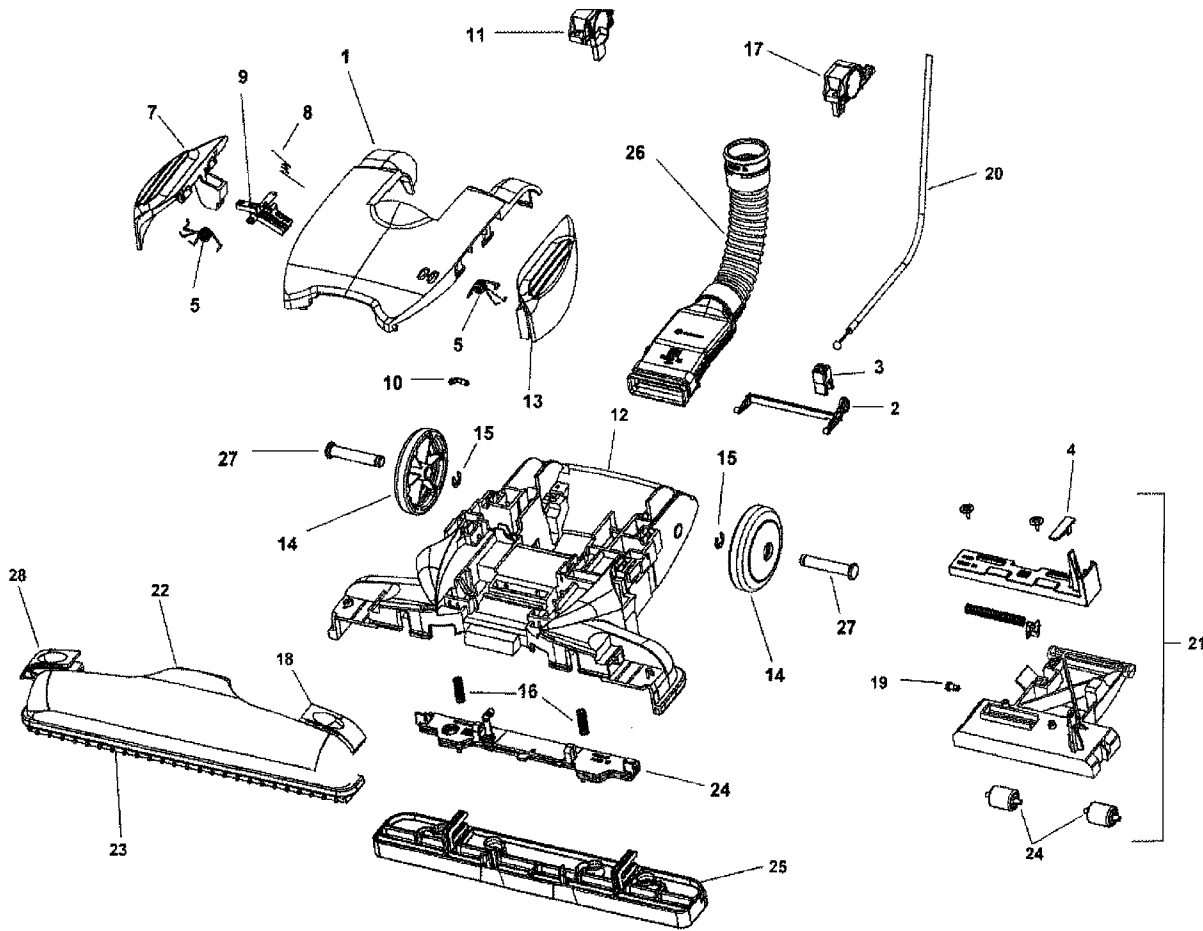
Floor MATE™

12

ASSEMBLY SCHEMATIC

MODEL NO.

H2800





Floor MATE™

12

PART LISTING / PRICE LIST

MODEL No.

H2800

ITEM	PART NUMBER	MODELS To FIT	PART DESCRIPTION	LIST COST
1	59177203	H2800	HOOD / NOZZLE COVER	11.33
2	59177204	H2800	BRUSH LIFT LEVER	1.81
3	59177036	H2800	BRUSH ACTIVATOR	1.12
4	59177379	H2800	INDICATOR	1.12
5	59177276	H2800	PEDAL SPRING	1.12
6	59177006	H2800	SOLUTION TUBE	2.94
7	59177201	H2800	HANDLE RELEASE PEDAL	2.94
8	59177037	H2800	LOCK PLATE SPRING	1.12
9	59177472	H2800	LOCK PLATE	1.12
10	59177035	H2800	ELBOW SLEEVE	1.12
11	59177371	H2800	TRUNION CAP - RIGHT	1.12
12	59177200	H2800	MAIN BODY w/BUMPER	17.00
13	59177202	H2800	SQUEEGEE PEDAL	2.94
14	59177209	H2800	REAR WHEEL	4.53
15	59177088	H2800	LOCK RING	.57
16		H2800	BRUSH SPRING	N.A.
17	59177372	H2800	TRUNION CAP - LEFT	1.12
18	59177152	H2800	LATCH - LEFT NOZZLE	2.26
19	59177084	H2800	SNAP PIN	1.12
20	59177370	H2800	TENSION CABLE	6.79
21	59177207	H2800	FRONT WHEEL CARRIAGE	11.33
	59177374	H2800	FRONT AXLE - PLASTIC	4.53
	59177086	H2800	FRONT WHEEL	5.66
22	59177470	H2800	NOZZLE ASSEMBLY	14.73
23	59177150	H2800	RETAINER/SQUEEGEE	9.74
24	59177383	H2800	DISTRIBUTOR	4.07
25	59177205	H2800	BRUSH BLOCK	27.21
26	59177208	H2800	WATER HOSE ASSEMBLY	4.53
27	59177373	H2800	PLASTIC REAR AXLE	4.53
28	59177151	H2800	LATCH - RIGHT NOZZLE	2.26
	59177091	H2800	SCREW - MOTOR MOUNT	1.12