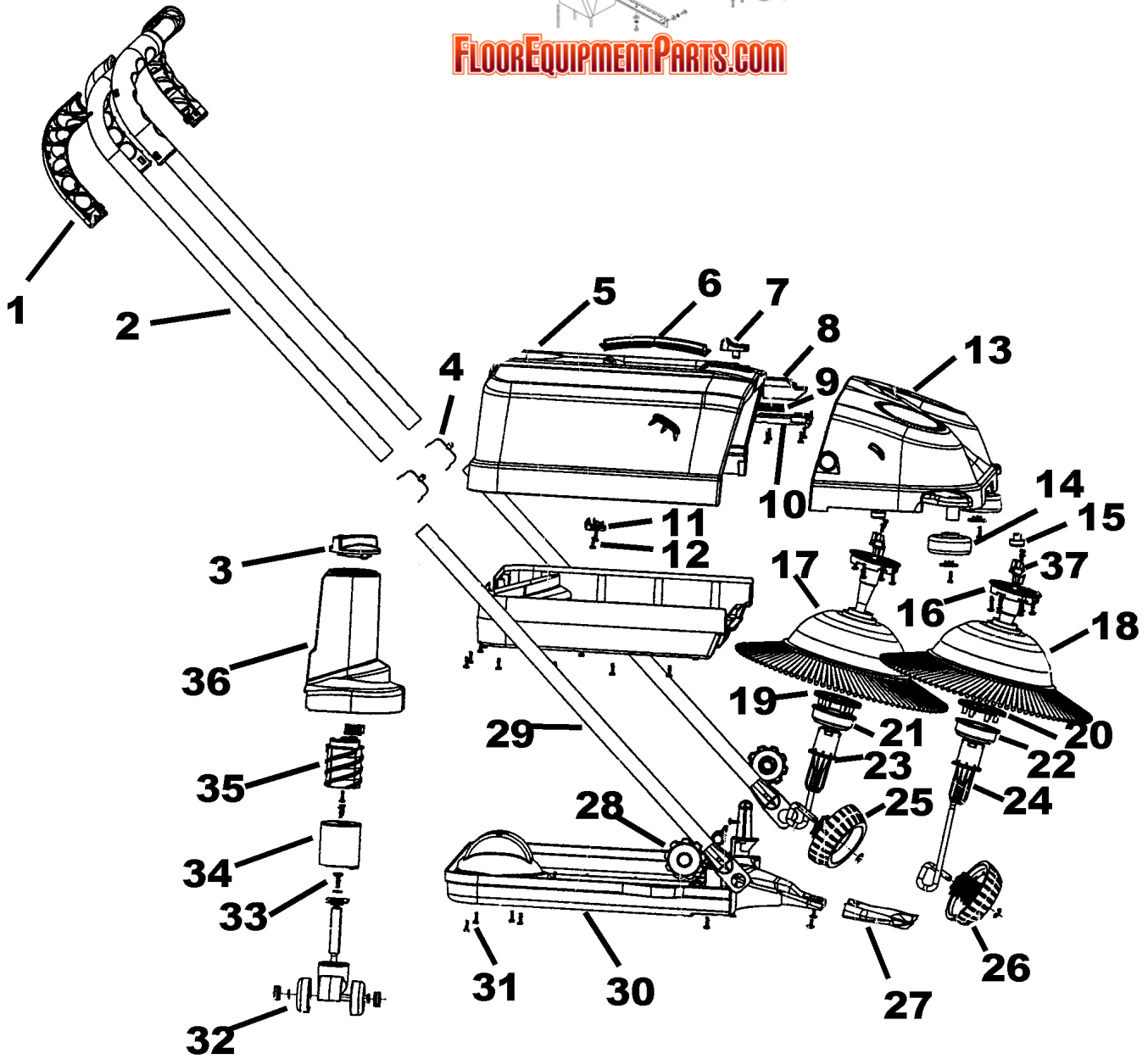


FLOOR-EQUIPMENT-PARTS.COM



Ref. No.	Part No.	Description
1.	93001001	Handle Cover (2 per package)
2.	93001002	Handle Pipeline Assembly (2 req'd)
3.	93001008	Adjustment Knob
4.	59641006	Handle Tube Lock
5.	93001005	Dust Bin Assembly
6.	93001023	Back Housing Handle
7.	93001024	Handle Lock Button
8.	59641016	Housing Lock
9.	59641038	Spring
10.	59641017	Lock Bracket
11.	59641059	Back Housing Handle Holder
12.	59641032	Screw
13.	93001007	Front Housing
14.	59641001	Side Wheel
15.	59641062	Absorber
16.	59641012	Joint Shaft (2 req'd)
17.	93001011	Left Brush Assembly
18.	93001010	Right Brush Assembly
19.	59641026	Clutch
20.	59641026	Clutch
21.	59641024	Left Clutch Housing
22.	59641025	Right Clutch Housing
23.	59641022	Worm
24.	59641022	Worm
25.	59641050	Left Worm Wheel Assembly
26.	59641049	Right Worm Wheel Assembly
27.	59641085	Front Bracket Rubber
28.	59641005	Fixing Nut (2)
29.	93001003	Joint Tube Assembly (Inc. item 4) (2 req'd)
30.	93001006	Bottom Frame Assembly
31.	59641031	Screw
32.	93001004	Caster Wheel Assembly
33.	N/A	Screw – Included with item 32
34.	59641021	Back Wheel Lower Worm
35.	59641020	Back Wheel Upper Worm
36.	93001009	Adjusting Knob Housing

Items not illustrated:

59641053 Owner Manual