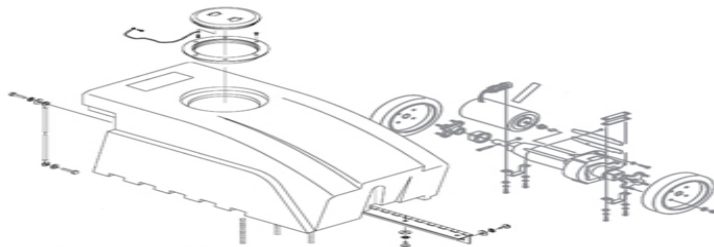


# Workman™ Wet/Dry Vacuums

## Operator's Manual Parts Schematic



**FLOOREQUIPMENTPARTS.COM**

**Workman™**  
10 - Gallon      **Item #85026-00**

**Workman™**  
10 - Gallon w/Dolly      **Item #85017-00**

**Workman™**  
6 - Gallon      **Item #85025-00**

**Workman™**  
3 - Gallon      **Item #85024-00**

**Chemicals**  
**Equipment**  
**Programs**  
**Process**

**BETCO®**

**IMPORTANT SAFETY INSTRUCTIONS**

When using an electrical appliance, basic precautions should always be followed, read all instructions before using.

**! WARNING!**

To reduce risk of fire, electric shock, or injury:

- \* Do not leave the machine when it is plugged in. Unplug the unit from the outlet when not in use & before servicing.
- \* To avoid electric shock, do not expose machine to rain. Store indoors.
- \* Do not allow to be used as a toy. Close attention is necessary when used by or near children.
- \* Use only as described in this manual. Use only manufacturer's recommended attachments.
- \* Do not use with damaged cord or plug. If machine is not working as it should return it to a service center for inspection.
- \* Do not pull or carry by cord, use cord as a handle, close a door on a cord, or pull cord around sharp edges or corners. Do not run machine over cord. Keep cord away from heated surfaces.
- \* Do not unplug by pulling on cord. To unplug, grasp the plug, not the cord.
- \* Do not handle plug or machine with wet hands.
- \* Do not put any foreign object into openings. Do not use with any opening blocked; keep free of dust, lint, hair, & anything that may reduce airflow.
- \* Keep hair, loose clothing, fingers, & all parts of body away from openings & moving parts.
- \* Turn off all controls before unplugging.
- \* Do not use in or around flammable or combustible liquids such as gasoline or use in areas where they may be present.
- \* Connect to a properly grounded outlet only. See grounding instructions.

## **GROUNDING INSTRUCTIONS**

**This machine must be grounded. If it should electrically malfunction, grounding provides a path of least resistance for electric current to reduce the risk of electric shock. This machine is equipped with a cord having an equipment-grounding conductor & grounding plug. The plug must be plugged into an appropriate outlet that is properly installed & grounded in accordance with all local codes & ordinances.**

### **! DANGER!**

**Improper connection of the equipment-grounding conductor can result in a risk of electric shock. Check with a qualified electrician or service person if you are in doubt as to whether the outlet is properly grounded. Do not modify the plug provided with the machine. If plug will not fit the outlet, have a proper outlet installed by a qualified electrician.**

**Replace the plug if the grounding pin is damaged or broken.**

**Extension cords connected to this machine should be 12 gauge, 3-wire cords with 3-prong plugs & outlets. DO NOT use extension cords more than 50 feet long.**

## **PREPARING THE MACHINE FOR OPERATION**

### **! WARNING!**

**This machine contains moving parts. To reduce the risk of injury, always unplug the power cord before servicing.**

**Unwrap the power cord completely & plug into a properly grounded outlet.**

**For wet pick up install head gasket and ring.**

**For dry pickup install cloth filter bag. (Optional paper bag and/or cartridge may also be used.)**

**Attach swivel hose connector and hose to tank inlet.**

**Select proper floor tool. Wet squeegee for wet pick up. Dry floor tool for dry pick up. Install selected tool on 2-bend wand.**

**Turn switch located on vacuum head to on position.**

**You are now ready to begin your cleaning task.**

## **Operator Manual - Workman Wet/Dry Vacuums**

### **AFTER USE**

**Unplug the power cord, starting from the machine wrap the power cord onto the head assembly.**

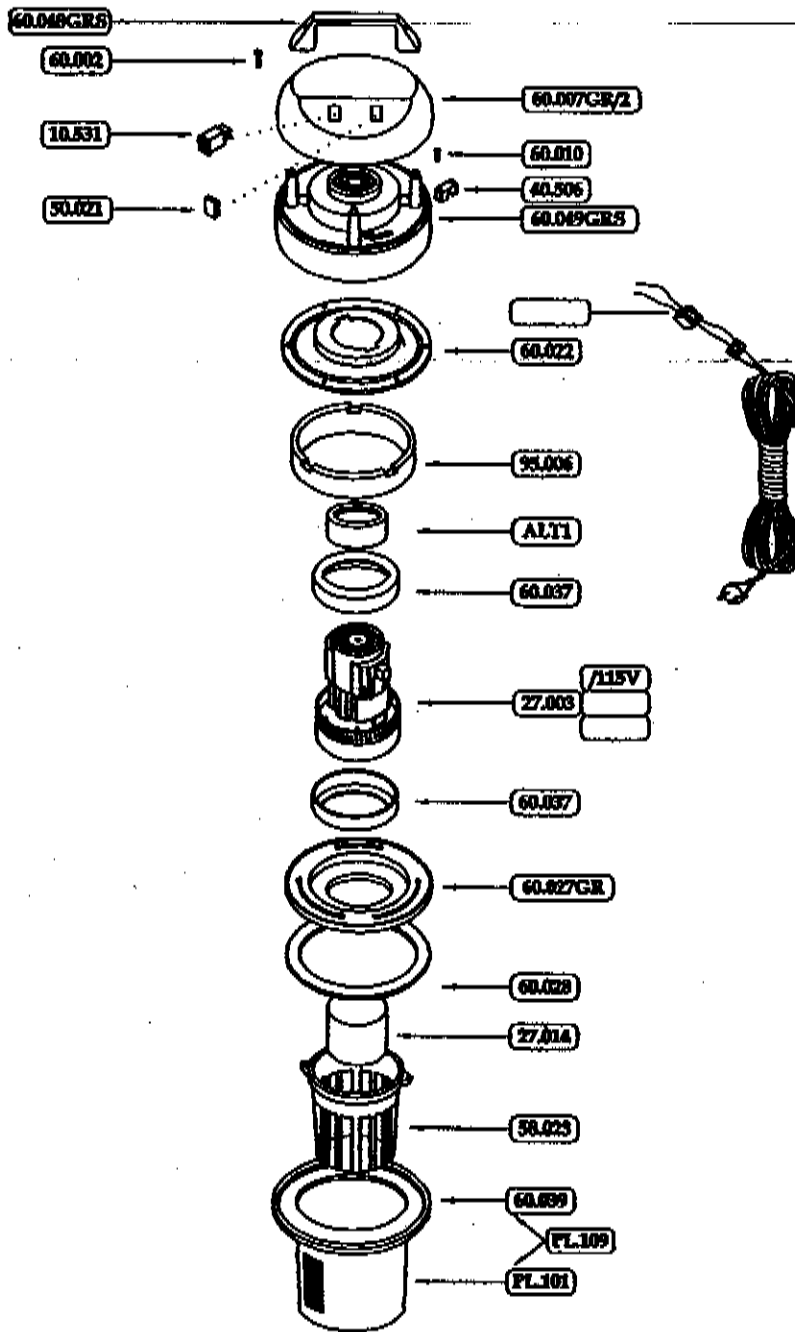
**Completely empty tank of water and debris. Flush tank and dry with a clean towel.**

**Wipe vacuum head assembly with damp towel.**

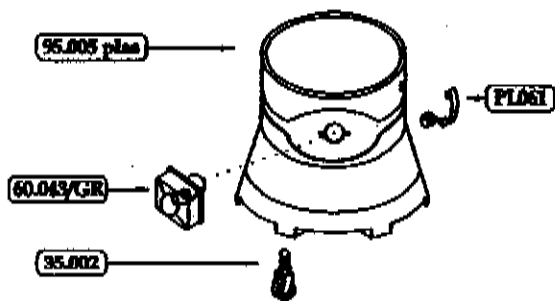
**Wipe the entire machine with a clean, damp cloth.**

**Inspect the machine & all accessories for damage. Perform any required maintenance or repairs before storage.**

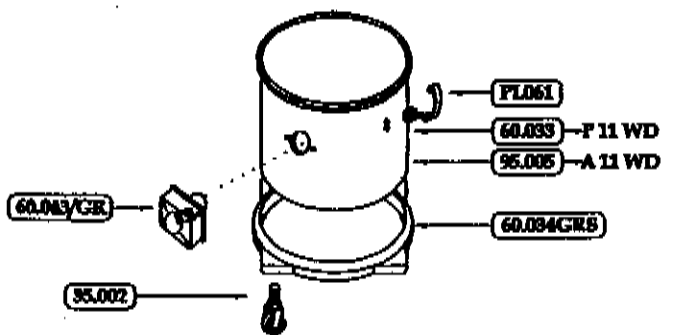
**Store the machine in a clean, dry place.**



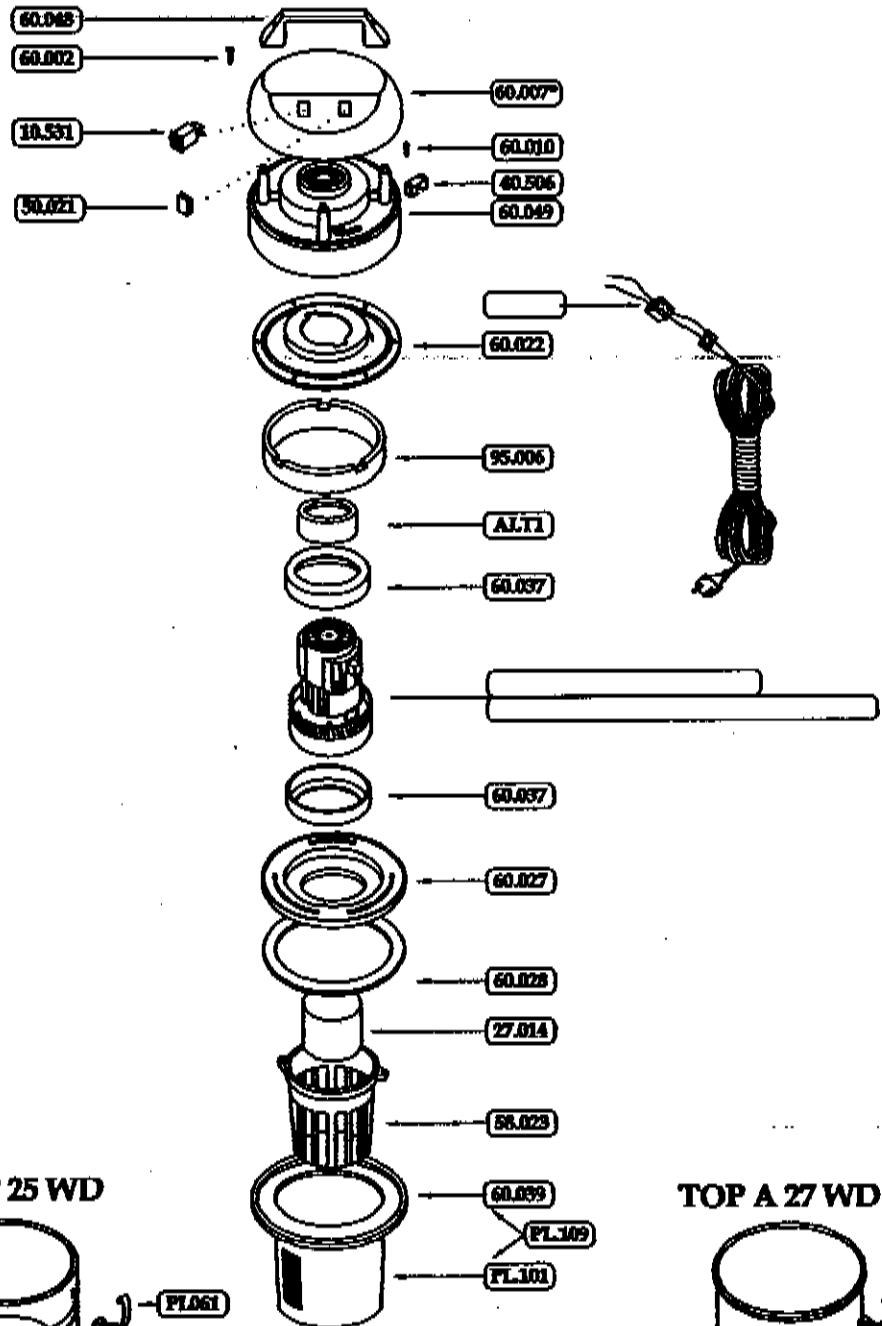
**TOP P12 WD**



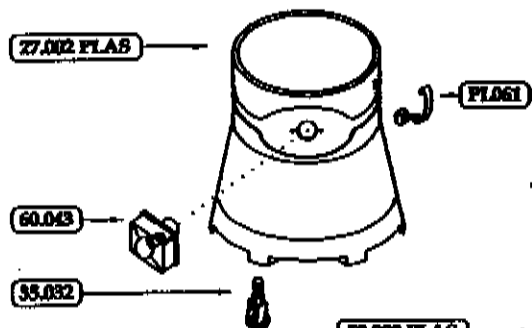
**TOP P11WD-A11 WD**



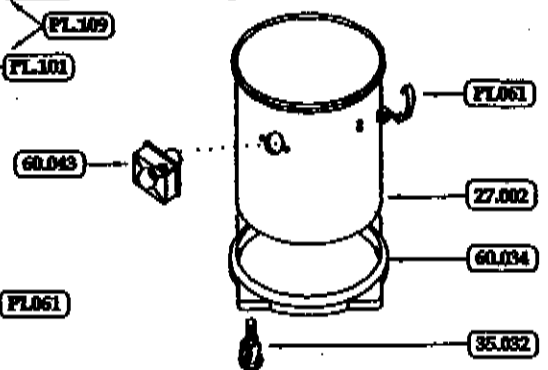
TOP A 27 WD - P 25 WD- P 35 WD



TOP P 25 WD



TOP A 27 WD



TOP P 35 WD

