

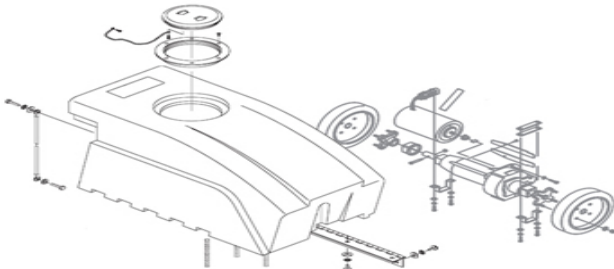
Wet/Dry Vacuum 18 Gallon

Parts Schematic



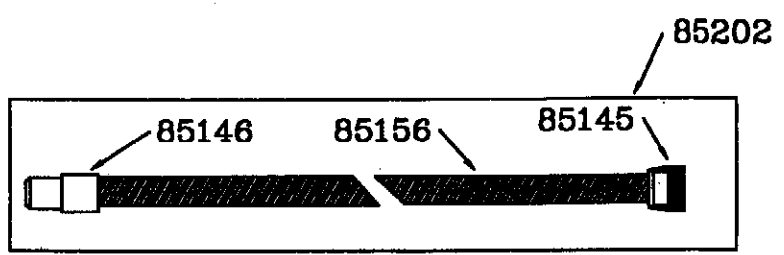
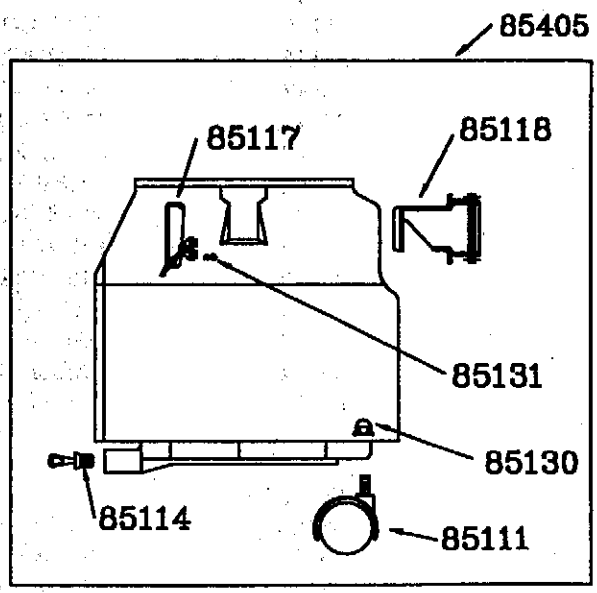
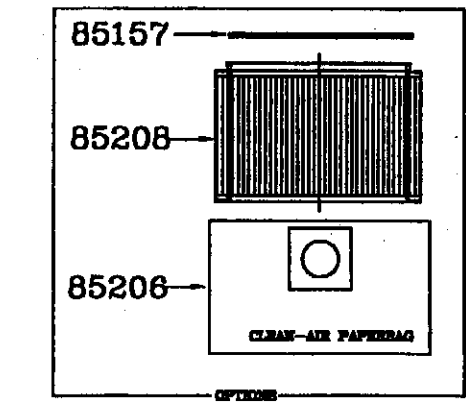
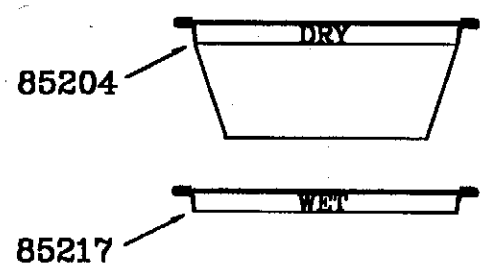
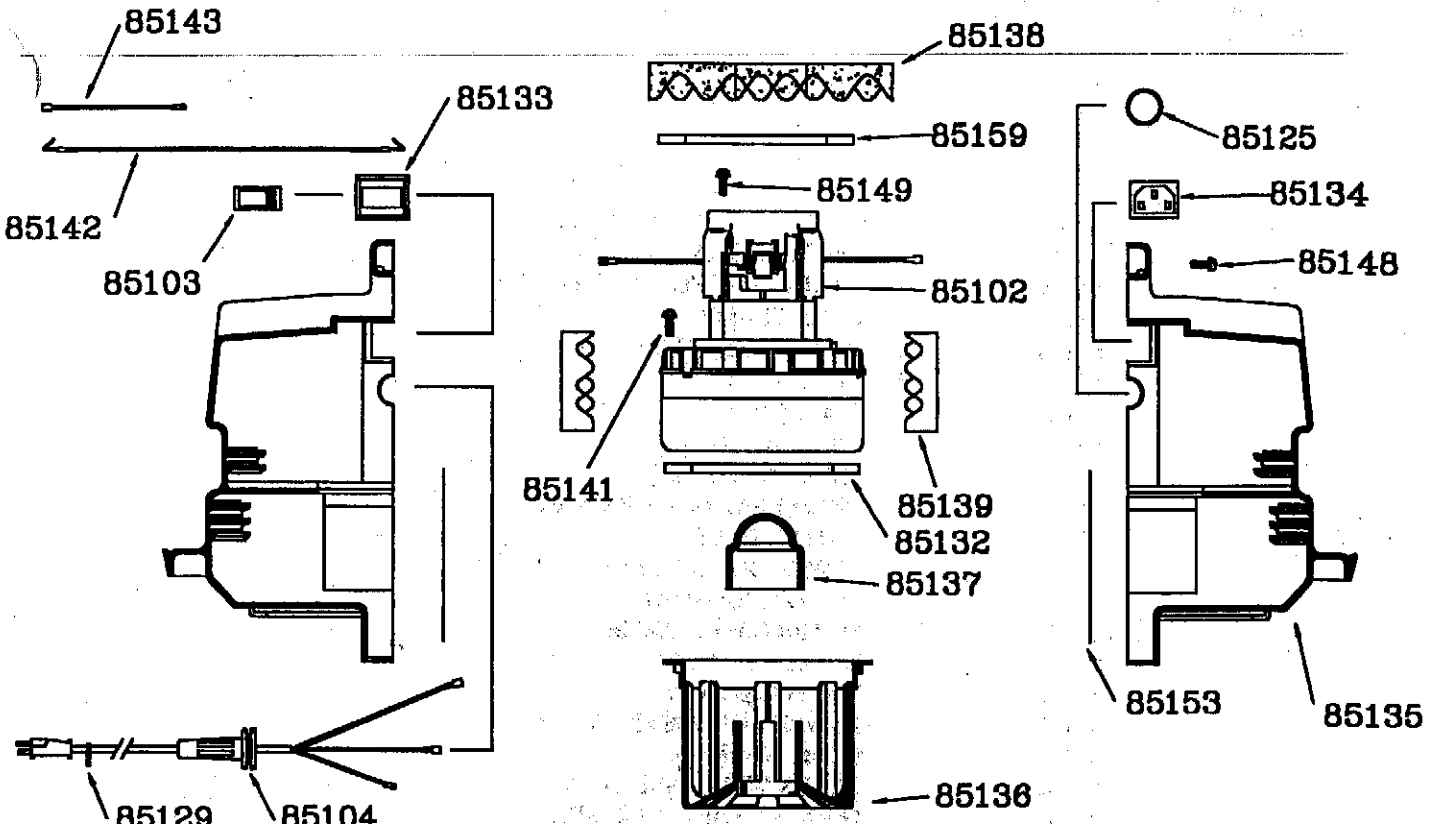
WD18
WD18DLY

Item #85007
Item #85008



FLOOREQUIPMENTPARTS.COM

Better Resources. Better Results.
BETCO®





WET / DRY

WD 18

PARTS LIST

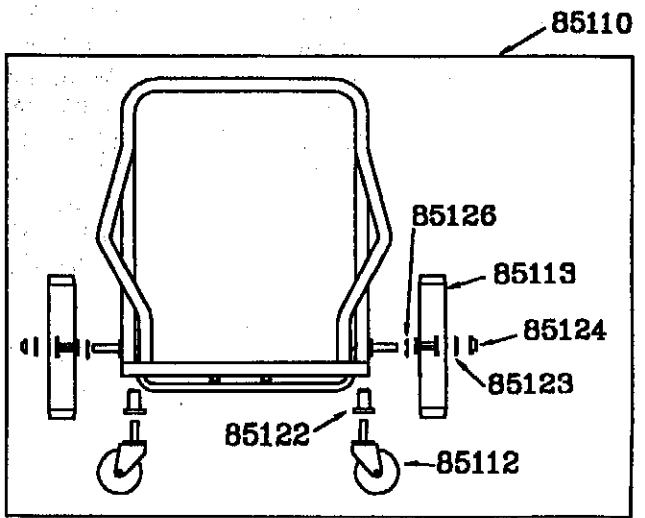
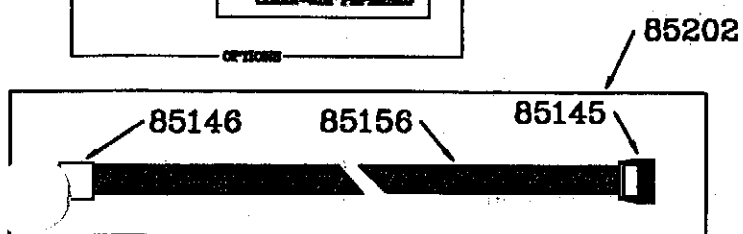
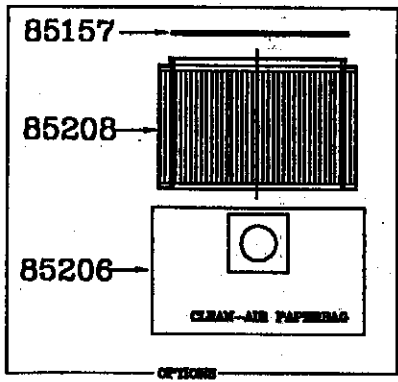
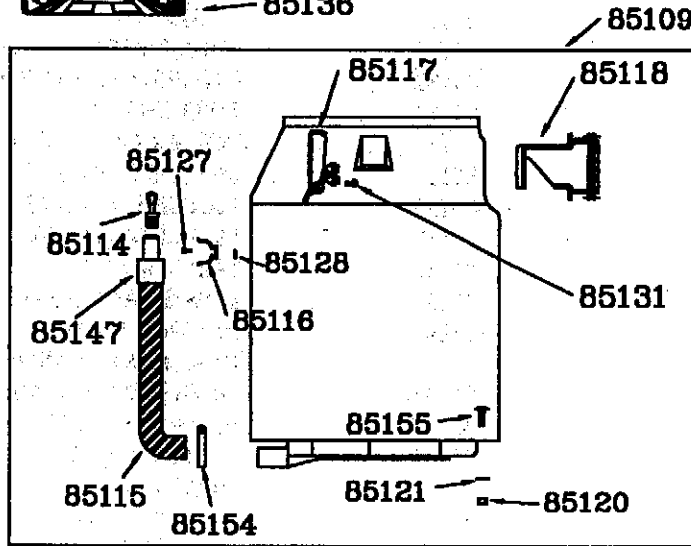
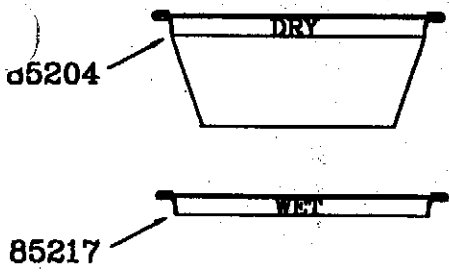
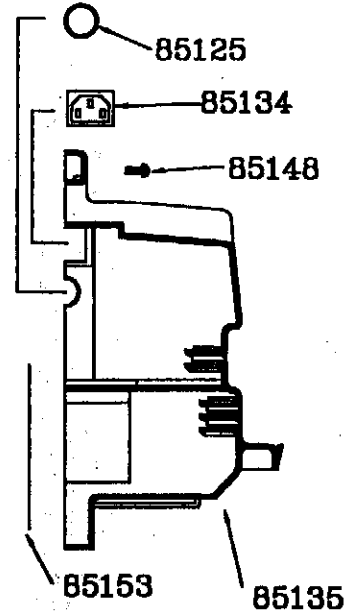
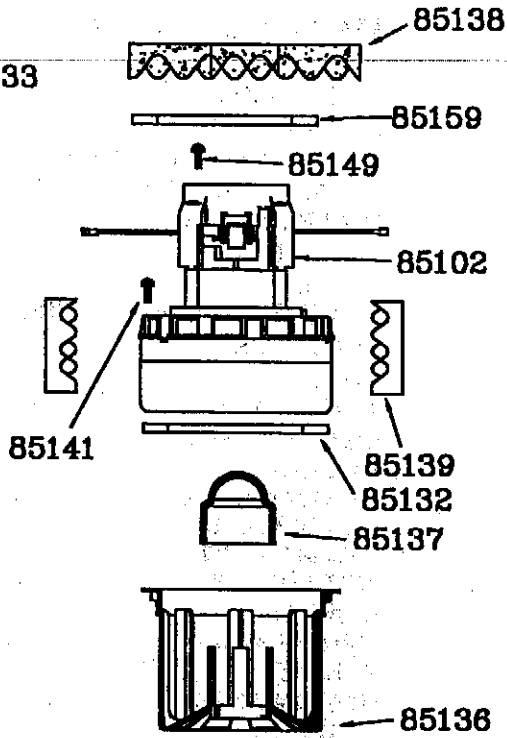
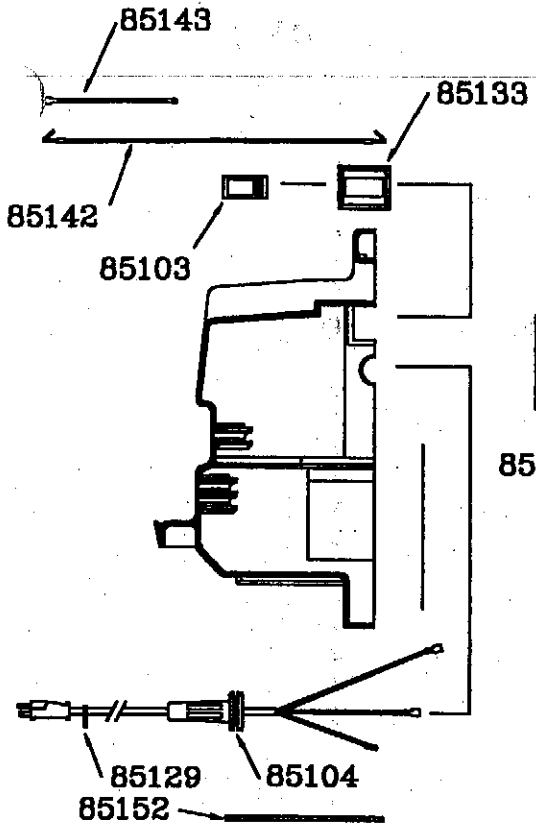
85007

ITEM	DESCRIPTION	QTY REQ
85102	MOTOR SMALL BI-PASS	1
85103	ROCKER SWITCH	1
85104	CORD ASSEMBLY 16/3 X 50'	1
85111	CASTERS DUAL WHEEL	5
85114	DRAIN HOSE PLUG ASSEMBLY	1
85117	TANK CLAMP	2
85118	INLET DEFLECTOR	1
85125	DOME PLUG	1
85129	CORD GRIP	1
85130	3/8-16 ACORN NUT	5
85131	#10 X 3/8 PHS HI-LO	4
85132	UNIVERSAL MOTOR GASKET	1
85133	SWITCH PLATE	1
85134	POWER OUTLET PLUG	1
85135	MOTOR HOUSING	2
85136	FILTER CAGE LARGE	1
85137	FLOAT SHUT OFF	1
85138	TOP FOAM DISK	1
85139	LOWER ACCOUSTIC FOAM	8
85141	#10-16 X1 PHS	2
85142	BLACK WIRE ASSEMBLY	1
85143	GROUND WIRE ASSEMBLY	1
85145	HOSE COUPLING	1
85146	1 1/2 HOSE CUFF	1
85147	HOSE CUFF 1 1/2 TO 1 1/4	1
85148	#8 X 3/4 PHS HI-LO	12
85149	#10-32 X 3/8 PHS - GROUND	2
85152	JOGGER RING	1
85153	HOUSING GASKET	1
85156	1 1/2 VACUUM HOSE	1
85159	UPPER MOTOR GASKET	1
85202	VACUUM HOSE ASSEMBLY	1
85217	GASKET FILTER TX	1
85204	LARGE DRY FILTER	1
85405	18 GAL TANK ASS'Y C/W CASTERS	1

OPTIONS

85208	FILTER HEPA LARGE	1
85157	CLAMP HEPA FILTER	1
85206	CLEAN-AIR FILTER BAG (10 PAK)	1

MAY 2002



BETCO WET / DRY WD 18 DLY PARTS LIST 85008

ITEM	DESCRIPTION	QTY REQ
85102	MOTOR SMALL BI-PASS	1
85103	ROCKER SWITCH	1
85104	CORD ASSEMBLY 16/3 X 50'	1
85109	18 GAL TANK ASS'Y FOR DOLLY	1
85110	DOLLY ASSEMBLY	1
85112	3" CASTERS	2
85113	10" WHEEL	2
85114	DRAIN HOSE PLUG ASSEMBLY	1
85115	DRAIN HOSE	1
85116	HOSE CLIP	1
85117	TANK CLAMP	2
85118	INLET DEFLECTOR	1
85120	1/4 -20 NUT	3
85121	1/4 LOCKWASHER	3
85122	CASTER SOCKET	2
85123	NYLON WASHER	2
85124	AXLE END CAPS	2
85125	DOME PLUG	1
85126	TENSION WASHER	2
85127	1/2" RIVET	1
85128	BRASS WASHER	1
85129	CORD GRIP	1
85131	#10 X 3/8 PHS HI-LO	4
85132	UNIVERSAL MOTOR GASKET	1
85133	SWITCH PLATE	1
85134	POWER OUTLET PLUG	1
85135	MOTOR HOUSING	2
85136	FILTER CAGE LARGE	1
85137	FLOAT SHUT OFF	1
85138	TOP FOAM DISK	1
85139	LOWER ACCOUSTIC FOAM	8
85141	#10-16 X 1 PHS	2
85142	BLACK WIRE ASSEMBLY	1
85143	GROUND WIRE ASSEMBLY	1
85145	HOSE COUPLING	1
85146	1 1/2 HOSE CUFF	1
85147	HOSE CUFF 1 1/2 TO 1 1/4	1
85148	#8 X 3/4 PHS HI-LO	12
85149	#10-32 X 3/8 PHS - GROUND	2
85152	JOGGER RING	1
85153	HOUSING GASKET	1
85154	DRAIN HOSE CLAMP	1
85155	1/4 X 1/4 CARRIAGE BOLT	3
85156	1 1/2 VACUUM HOSE	1
85159	UPPER MOTOR GASKET	1
85202	VACUUM HOSE ASSEMBLY	1
85204	LARGE DRY FILTER	1
85217	GASKET FILTER TX	1
OPTIONS		
85208	FILTER HEPA LARGE	1
85157	CLAMP HEPA FILTER	1
85206	CLEAN-AIR FILTER BAG (10 PAK)	1