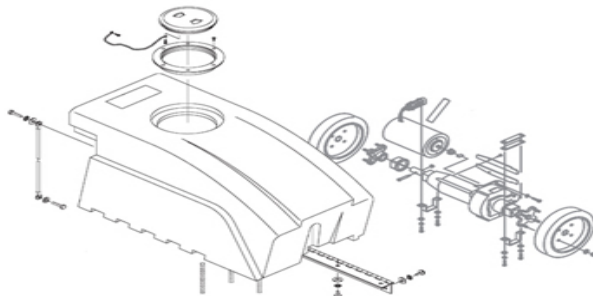
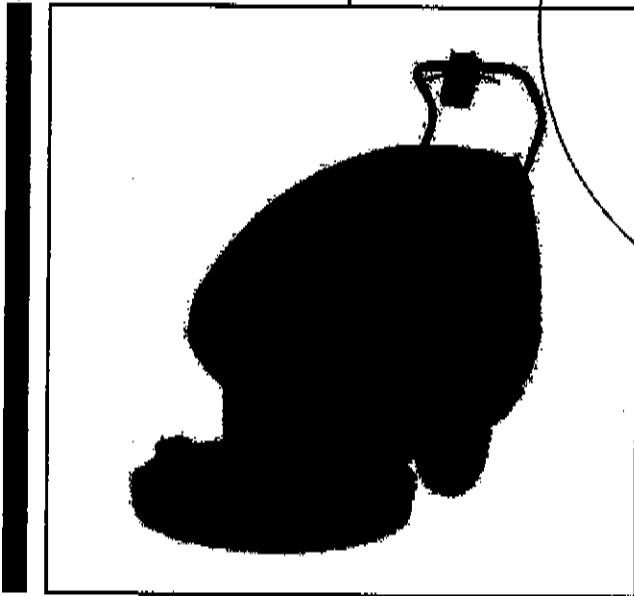


BAT2500 20" Battery Burnisher

Operator's Manual and Parts Schematic

Item #87300



FLOOR EQUIPMENT PARTS.COM

Better Resources. Better Results.
BETCO®

MACHINE DATA LOG/OVERVIEW

MODEL _____
DATE OF PURCHASE _____
SERIAL NUMBER _____
SALES REPRESENTATIVE # _____
DEALER NAME _____
OPERATIONS GUIDE NUMBER _____
PUBLISHED _____

YOUR DEALER	
Name: _____	_____
Address: _____	_____
Phone Number: _____	_____

TABLE OF CONTENTS

<i>Machine Data Log/Overview</i>	2
<i>Table of Contents</i>	3

HOW TO USE THIS MANUAL

<i>How to use this Manual</i>	1-1
-------------------------------------	-----

SAFETY

<i>Important Safety Instructions</i>	2-1
<i>Hazard Intensity Level</i>	2-2

OPERATIONS

<i>Components/Controls</i>	3-1
<i>Machine Operation</i>	3-2
<i>Pre-Run Machine Inspection</i>	3-2
<i>Operating the Machine</i>	3-2
<i>Filter Bag</i>	3-2
<i>Dust Control Skirt</i>	3-2

MAINTENANCE

<i>Battery Information</i>	4-1
<i>Battery Connection</i>	4-1
<i>Battery Maintenance</i>	4-1
<i>Battery Charging Procedure</i>	4-1
<i>Maintenance</i>	4-2
<i>Weekly Maintenance</i>	4-2
<i>4 to 6 Month Maintenance</i>	4-2
<i>Ending Work Periods</i>	4-2
<i>Shunt Adjustments</i>	4-2
<i>Shaft Adjustment</i>	4-2
<i>Lubrication & Notes</i>	4-3
<i>Machine Troubleshooting</i>	4-4
<i>Electrical Diagram</i>	4-6
<i>Electrical Diagram Parts List</i>	4-7

GROUP PARTS LIST

<i>Hood Group</i>	5-
<i>Lift Linkage Group</i>	5-3
<i>Chassis/Drive Assembly Group</i>	5-5
<i>Handle Assembly</i>	5-7
<i>Deck Lift Mechanism</i>	5-9
<i>Electrical Controls Group</i>	5-11
<i>Suggested Spare Parts/Notes</i>	5-13

HOW TO USE THIS MANUAL

This manual contains the following sections:

- HOW TO USE THIS MANUAL
- SAFETY
- OPERATIONS
- MAINTENANCE
- PARTS LIST

The HOW TO USE THIS MANUAL section will tell you how to find important information for ordering correct repair parts.

Parts may be ordered from authorized dealers. When placing an order for parts, the machine model and machine serial number are important. Refer to the MACHINE DATA box which is filled out during the installation of your machine. The MACHINE DATA box is located on the inside of the front cover of this manual.

MODEL	_____
DATE OF PURCHASE	_____
SERIAL NUMBER	_____
SALES REPRESENTATIVE #	_____
DEALER NAME	_____
OPERATIONS GUIDE NUMBER	_____
PUBLISHED	_____

The model and serial number of your machine is on the bottom back-end of the machine.

The SAFETY section contains important information regarding hazard or unsafe practices of the machine. Levels of hazards is identified that could result in product or personal injury, or severe injury resulting in death.

The OPERATIONS section is to familiarize the operator with the operation and function of the machine.

The MAINTENANCE section contains preventive maintenance to keep the machine and its components in good working condition. They are listed in this general order:

- Batteries
- Maintenance
- Shunt Adjustments
- Lubrication
- Troubleshooting
- Electrical Schematic

The PARTS LIST section contains assembled parts illustrations and corresponding parts list. The parts lists include a number of columns of information:

- REF – column refers to the reference number on the parts illustration.
- PART NO. – column lists the part number for the part.
- QTY – column lists the quantity of the part used in that area of the machine.
- DESCRIPTION – column is a brief description of the part.
- SERIAL NO. FROM – column indicates the first machine the part number is applicable to. When the machine design has changed, this column will indicate serial number of applicable machine. The main illustration shows the most current design of the machine. The boxed illustrations show older designs.
- NOTES – column for information not noted by the other columns.

NOTE: If a service or option kit is installed on your machine, be sure to keep the KIT INSTRUCTIONS which came with the kit. It contains replacement parts numbers needed for ordering future parts.

IMPORTANT SAFETY INSTRUCTIONS

When using an battery powered appliance, basic precaution must always be followed, including the following:

READ ALL INSTRUCTIONS BEFORE USING THIS MACHINE.



WARNING:

To reduce the risk of fire, electric shock, or injury:

Use only indoors. Do not use outdoors or expose to rain.

Use only as described in this manual. Use only manufacturer's recommended components and attachments.

If the machine is **not working properly**, has been dropped, damaged, left outdoors, or dropped into water, return it to an authorized service center.

Do not operate the machine with any openings blocked. Keep openings free of debris that may reduce airflow.

This machine is **not suitable** for picking up hazardous dust.

Machine can cause a fire when operating near flammable vapors or materials. Do not operate this machine near flammable fluids, dust or vapors.

This machine is suitable for commercial use, for example in hotels, schools, hospitals, factories; shops and offices for more than normal housekeeping purposes.

Maintenance and repairs **must be done** by qualified personnel.

If foam or liquid comes out of machine, **switch off immediately.**

Disconnect battery before cleaning or servicing.

Before the machine is discarded, the batteries **must be removed** and properly disposed of.

Make sure all warning and caution labels are **legible and properly attached** to the machine.

During operation, attention shall be paid to other persons, especially children.

Before use all covers and doors shall be put in the positions specified in the instructions.

When leaving unattended, secure against unintentional movement.

The machine shall only be operated by instructed and authorized persons.

When leaving unattended, switch off or lock the main power switch to prevent unauthorized use.

Only chemicals recommended by the manufacturer shall be used.

This appliance has been designed for use with the brushes specified by the manufacturer. The fitting of other brushes may affect its safety.

Do not use on surfaces having a gradient exceeding 2% unless the optional parking brake is installed on the machine.

SAVE THESE INSTRUCTIONS

HAZARD INTENSITY LEVEL

The following symbols are used throughout this guide as indicated in their descriptions:

HAZARD INTENSITY LEVEL

There are three levels of hazard intensity identified by signal words -**WARNING** and **CAUTION** and **FOR SAFETY**. The level of hazard intensity is determined by the following definitions:

▲ WARNING

WARNING - Hazards or unsafe practices which **COULD** result in severe personal injury or death.

▲ CAUTION

CAUTION - Hazards or unsafe practices which could result in minor personal injury or product or property damage.

FOR SAFETY: To identify actions which must be followed for safe operation of equipment.

Report machine damage or faulty operation immediately. Do not use the machine if it is not in proper operating condition. Following is information that signals some potentially dangerous conditions to the operator or the equipment. Read this information carefully. Know when these conditions can exist. Locate all safety devices on the machine. Please take the necessary steps to train the machine operating personnel.

FOR SAFETY:

DO NOT OPERATE MACHINE:

Unless Trained and Authorized.

Unless Operation Guide is Read and understood.

In Flammable or Explosive areas.

areas with possible falling objects.

WHEN SERVICING MACHINE:

Avoid moving parts. Do not wear loose clothing; jackets, shirts, or sleeves when working on the machine. Use manufacturer approved replacement parts.

▲ WARNING

Batteries emit hydrogen gas. Explosion or fire can result. Keep sparks and open flame away. Keep solution tank in raised position when charging. Keep sparks and flames away from the batteries. Do not smoke around batteries.

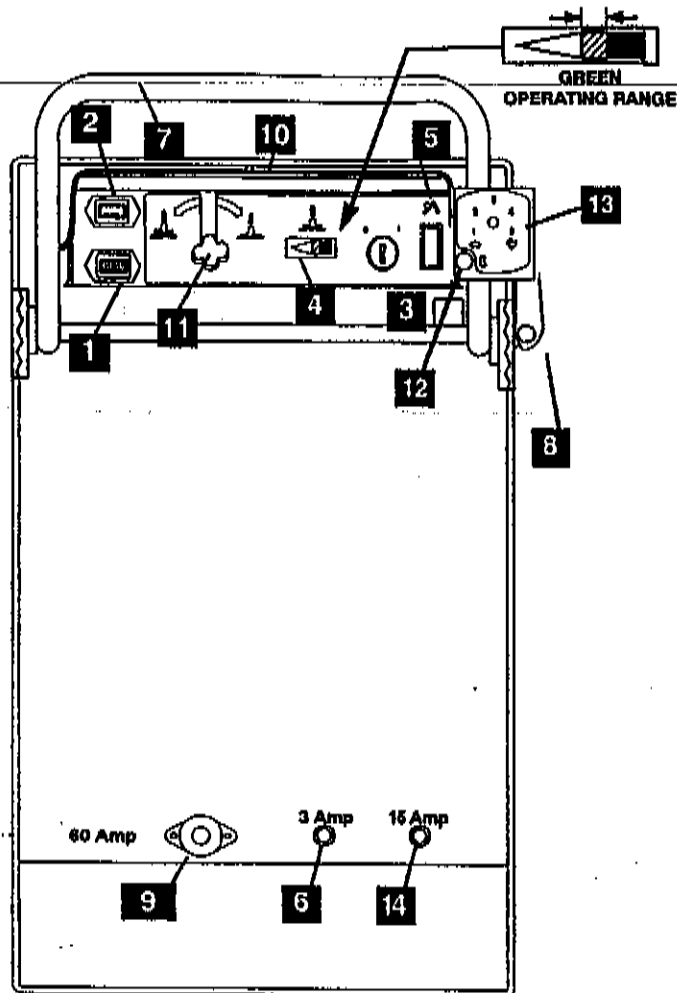
▲ WARNING

Disconnect batteries before working on machine. Only qualified personnel should work inside machine. Always wear eye protection and protective clothing when working on or near batteries. Avoid skin contact with the acid contained in the batteries.

▲ WARNING

Never allow metal to lie across battery tops.

COMPONENTS/CONTROLS

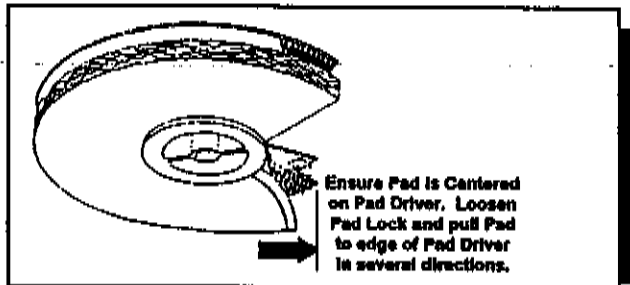


1. **Hour Meter.** Records machine use time.
2. **Battery Condition Light.** Indicates the charge condition of batteries.
3. **Main Power Switch.** Turns On and Off the machine.
4. **Pad Pressure Meter.** "Green Area" indicates correct pad pressure range.
5. **Burnishing Head Switch.** Raises and lowers burnishing head.
6. **3 Amp Circuit Breaker.** Thermal circuit breaker protects lift mechanism. Press to reset.
7. **Main Handle.**
8. **Handle Adjustment Lever.**
9. **Breaker.** 60 amp magnetic circuit breaker, protects pad driver motor. Press to reset.
10. **Pad Motor Switch Bar.** Raising bar turns on pad driver motor.
11. **Pad Adjustment Knob.** Rotating knob adjusts pad pressure.
12. **Reverse Button.** Propel bar must be squeezed and button pushed for reverse travel.
13. **Speed Control.** Knob rotated left to right for slow to fast speed.
14. **15 Amp Circuit Breaker.** Protects transaxle.

MACHINE OPERATION

PRE-RUN MACHINE INSPECTION:

1. Disconnect the battery charger. (See *battery charging procedure*).
2. Close the cover.
3. To raise the deck: Turn on the main power switch and press the burnishing head switch.
4. Turn or install a new burnishing pad as needed.
NOTE: Pad lock has left hand threads. To loosen turn clockwise.



5. Check wheels and other pivot points for proper lubrication.

OPERATING THE MACHINE:

1. If using a machine which was already set up, check to make sure the pad is properly installed. Adjust the operating control handle to a comfortable position using the handle lock lever.
2. Turn on the main power switch.
3. Lower or raise deck by pressing burnishing head switch.
4. The pad motor will only run when the burnishing head is lowered to within 3 inches of the floor.
5. The drive controls are shown on page 3-1.
6. The pad pressure is adjusted using the knob at center of panel. The operator monitors the amp draw using the meter located on the control panel and ensures that the needle remains in the "green" operating range. (See page 3-1, #4 & 5).

! CAUTION

To prevent possible damage to the floor surface, always keep the machine moving while the pad is spinning.

8. When the pad motor switch bar is squeezed, the pad motor runs.
9. Return the machine to the battery charger when the battery light indicator light is amber. Do not operate machine when indicator is flashing red.

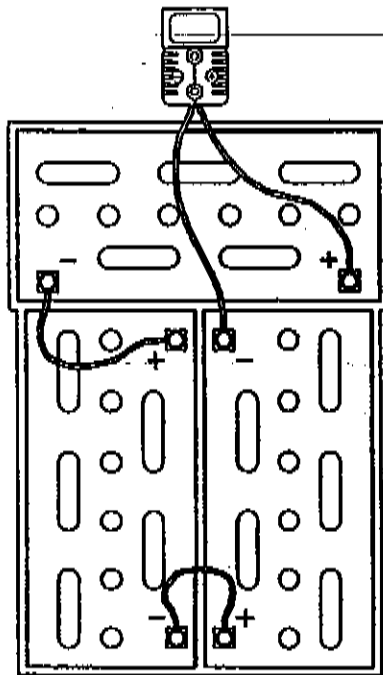
FILTER BAG

The filter bag is accessed under the cover.

DUST CONTROL SKIRT

Replace skirt (p/n 36203) when excessively soiled, worn, torn, or damaged in any way that allows dust to escape. The skirt has an adhesive backing which holds it in place.

BATTERY INFORMATION



CHARGE BATTERIES IN A WELL-VENTILATED AREA WITH DECK DOWN AND COVER OPEN

1. Use a 36 volt, 20 amp maximum output, D.C. charger that turns itself off, when batteries are fully charged. The charger must have a connector that matches the machine battery connection.
2. Read the instructions and warnings provided by the battery charger manufacturer.
3. Set the charger in a well-ventilated area, on a level surface. Make sure cords will easily reach outlets on both machine and wall.
4. Connect charger to D.C. outlet on machine first.
5. Connect the A.C. power cord to properly grounded wall socket. **NEVER MAKE THE A.C. CONNECTION FIRST, HAZARDOUS SPARKS MAY RESULT.**
6. After the batteries are completely charged disconnect the charger from the A.C. wall socket.
7. Once the charger is disconnected from the / wall socket, it is safe to disconnect the charge, from the machine.
8. When the batteries are fully charged, check the electrolyte level by removing the caps on top of the batteries. If necessary fill the cells with distilled water as shown in the diagram below. Be careful not to overfill cells.

Battery Maintenance:

1. When cleaning batteries use a solution of baking soda and water. (Do not allow cleaning fluid to enter inside battery cells.)
2. Keep a proper electrolyte level in battery cells.
3. Wipe down the battery tops at least once a week. If a cell should accidentally overflow, clean immediately.
4. Test battery condition with a hydrometer at least once a week.
5. Ensure that all connections are tight and that all corrosion is removed.
6. Every 4 to 6 months remove batteries from the machine and clean the battery compartment.

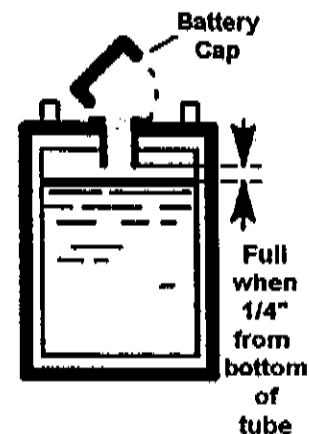
Battery Charging Procedure:

Charge the batteries once the amber charge level light comes on. The amber light indicates that there is about 20% charge left in the batteries. **Do not let the batteries completely drain before charging.** Avoid charging the batteries before the amber light comes on. The machine will run for hours on fully charged, well maintained batteries.

WARNING:

DO NOT SMOKE, HAVE OPEN FLAMES, OR SPARKS NEAR BATTERIES AT ANY TIME.

WEAR EYE PROTECTION AND PROTECTIVE CLOTHING WHEN WORKING WITH BATTERIES.



MAINTENANCE

WEEKLY MAINTENANCE

1. Use a hydrometer to check the condition of each battery cell.
2. Check battery cable clamps. Ensure clamps are tight on battery terminals.
3. Clean tops of batteries with a wet cloth and a solution of water and baking soda. Wipe battery tops dry after cleaning.
4. Check pad lock for looseness or damage.
5. Check filter and filter seals. Airflow should be unobstructed through filter.
6. Ensure that the pivot points and casters are properly lubricated.
7. Tighten any loose screws or nuts.

4 TO 6 MONTH MAINTENANCE

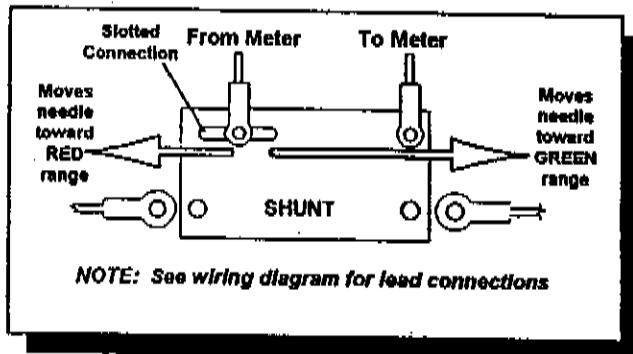
1. Remove batteries-clean battery tray and battery compartment.
2. Clean battery cable clamps and battery terminals.
3. Check the carbon motor brushes in the pad driver motor.
4. Use a vacuum to remove lint or dust build-up from motor windings.

AT THE END OF EACH WORK PERIOD:

1. Wipe down the exterior of the machine.
2. Lower the deck.
3. Open the cover.
4. Charge the batteries. (See battery charging procedure on page 4-1.)

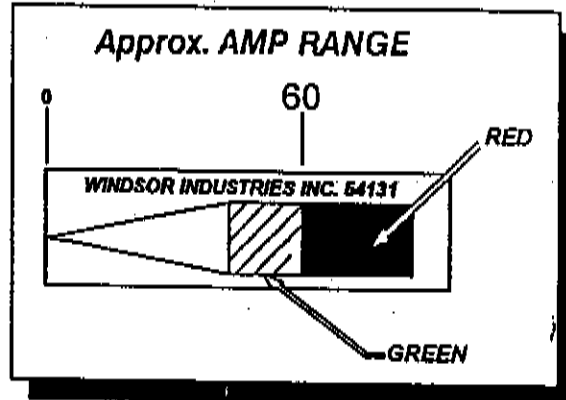
SHUNT ADJUSTMENT

This pad pressure meter adjustment is factory set. Over the course of time it may become necessary to adjust this setting using the slotted connection on the shunt.



SHUNT ADJUSTMENT (Cont.)

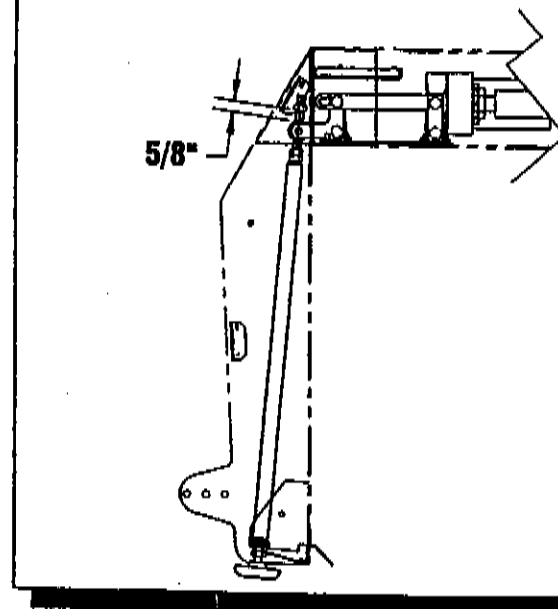
Check the amp range when nuisance tripping of the circuit breaker indicates that the shunt may be out of adjustment.



1. Connect a DC ampere meter to the positive battery lead. Running the machine with a pad; lower the pad to the floor until it is operating at 55-60 amps.
2. Moving the wire in the slot, adjust the pad pressure meter until the needle sets at the line between the green and red areas.
3. Check the other points indicated in the diagram above. The high end should trip the circuit breaker. Replace the pad pressure meter if the approximate amp ranges shown can not be set.

SHAFT ADJUSTMENT

If shaft is replaced make sure it is adjusted correctly upon installation.



LUBRICATION & NOTES

The following symbols found throughout the manual indicate items requiring lubrication:



APPLY GREASE



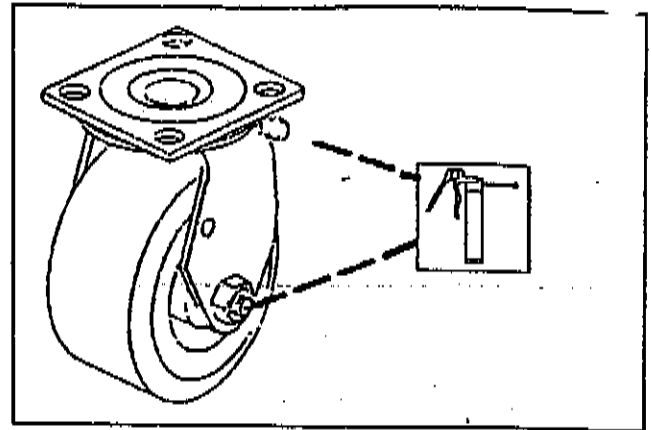
USE SPRAY
LUBRICANT



USE ANTI-SEIZE
WHEN REPAIRING



PERMANENT (RED)
THREAD LOCK TIGHT



CAUTION: Do not use pressure washers to clean sealed gear boxes or bearings.

If it becomes necessary to clean under machine with a pressure washer, Ensure all items noted are re lubricated

NOTES:

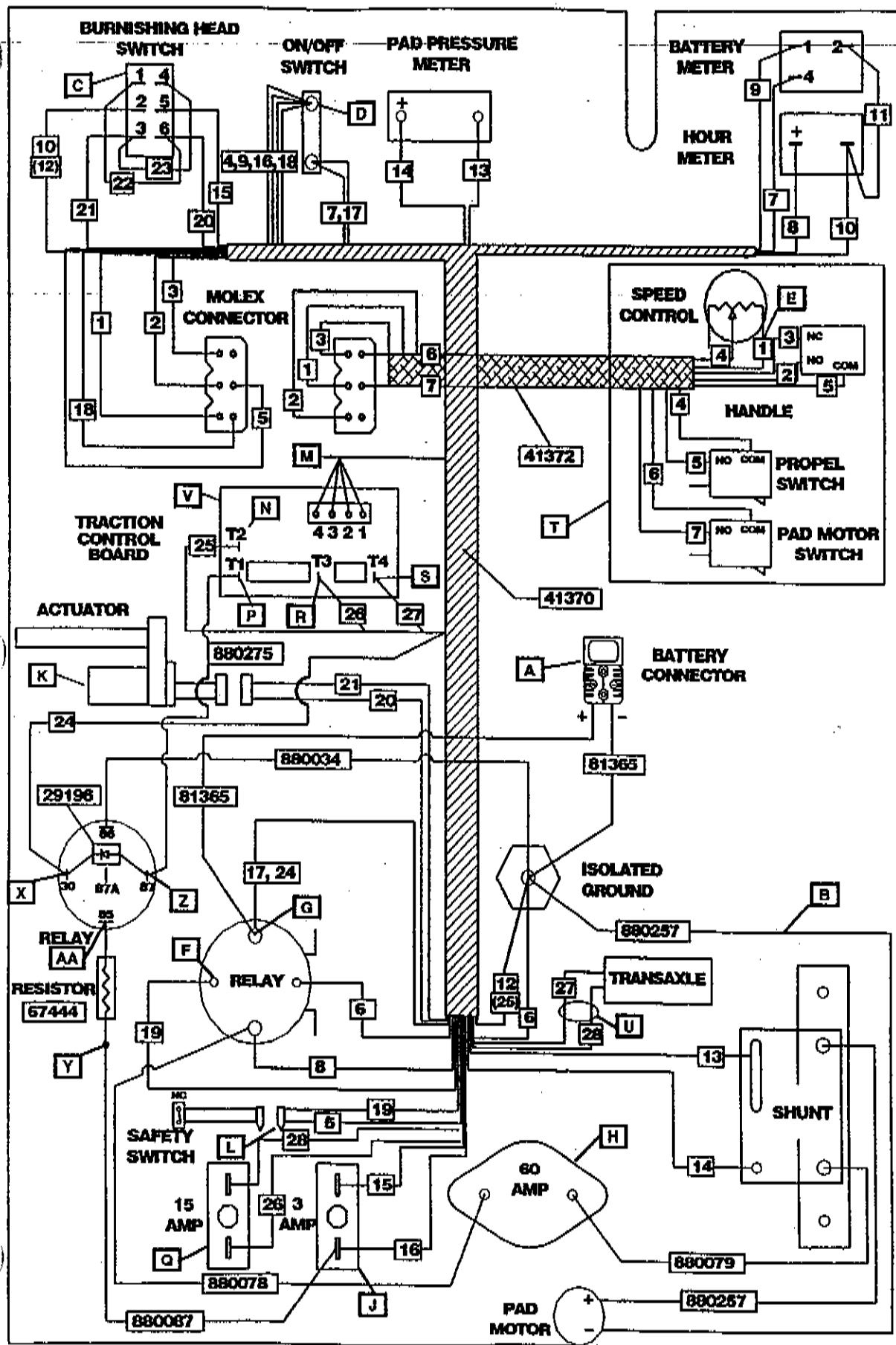
MACHINE TROUBLESHOOTING CHART

PROBLEM.	CAUSE	SOLUTION
No power to machine	Poor Cable Connection	Clean battery cable clamps of any corrosion and tighten. Test voltage at points G to B should be from 34 to 38 VDC.
	Faulty Main Power Switch	With the main power switch turned on, test voltage at points D to B should be from 34 to 38 VDC. If there is no voltage remove leads and check switch for continuity. Replace if necessary.
Pad motor won't run	Circuit breaker has tripped	Reset circuit breaker (H).
	Actuator Safety Switch	With main power on, pad lowered to floor, switch bar pulled up, test voltage at L (wire #2) to B (rear panel) should be 34 to 38 VDC. If not, check and adjust or replace safety switch as necessary.
	Faulty Relay	With main power on, pad lowered to floor and drive handle squeezed: Test voltage at points F to B and A to B should be from 34 to 38 VDC. When the relay is working it should make a clicking noise as the drive handle is squeezed. Replace relay if the test voltage F to B is OK. If test voltage F to B is not OK, check all wiring to pad motor relay.
Deck lift mechanism not working	Circuit breaker has tripped	Reset circuit breaker (J).
Deck switch not working		With main switch on, test voltage at C (5) to C (2) should be 34 to 38 VDC. If not check circuit breaker (J) and main power switch. If the test voltage at C (5) to C (2) is 34 to 38 VDC, the voltage at deck switch C (3) to C (6) should be 34 to 38 VDC when the deck switch is pressed to raise/lower the pad. If not, replace deck switch.
Deck actuator not working		If the deck switch tested OK, but the deck lift actuator still is not working, disconnect the white and black wires to actuator (K) and apply 36 VDC directly to actuator. If the actuator does not respond, replace actuator.
Handle switch not working		Check power from E (wire #1) to B. Check switch continuity.
Drive Controls	Circuit breaker has tripped.	Check if power at wire #26. If yes, but breaker has no power at wire 28 either reset breaker (Q) or replace.
	Bad switch (es).	Check continuity at handle switch for non-traction model. Check continuity at propel switch or pad motor switch for traction model. Replace as necessary.
	Loose connection.	Check all connections of propel circuit especially at M, N, P, R, S & T. Check transaxle connection at U.
	Faulty potentiometer.	With the drive motor disconnected at V, test the output voltage to the drive motor. The output voltage at V should vary from 0 to 36V at R & S as the control lever is squeezed. Resistance of the potentiometer can be tested at the leads 4 & 1 found at the potentiometer T. The resistance should vary from 0-50K ohms.
	Faulty drive control board.	Voltage at T1 (P) to T2 (N) should be from 34 to 38VDC. If the voltage at T1 is good but the propel motor won't respond, and all the tests above have been done, replace the drive control board.

TROUBLESHOOTING CONT.

PROBLEM.	CAUSE	SOLUTION
Drive controls cont.	Faulty motor.	Squeeze the control lever and test the voltage at U (wire #27 & 28). When the output voltage varies with the control lever but the motor does not respond and all the tests above have been done, replace the motor.
Machine will not propel	Loose Connection.	With main power on, test voltage at terminal 30 (X) on Relay should be 34 to 38 VDC. With switch on, check voltage to wire side of resistor (Y). Should be 34 to 38 VDC.
	Bad Relay.	With main power on, test voltage at terminal 87 (Z) should be 34 to 38 VDC.
	Faulty Resistor.	With main power on, test voltage at terminal 85 (AA) should be 22 to 26 VDC.

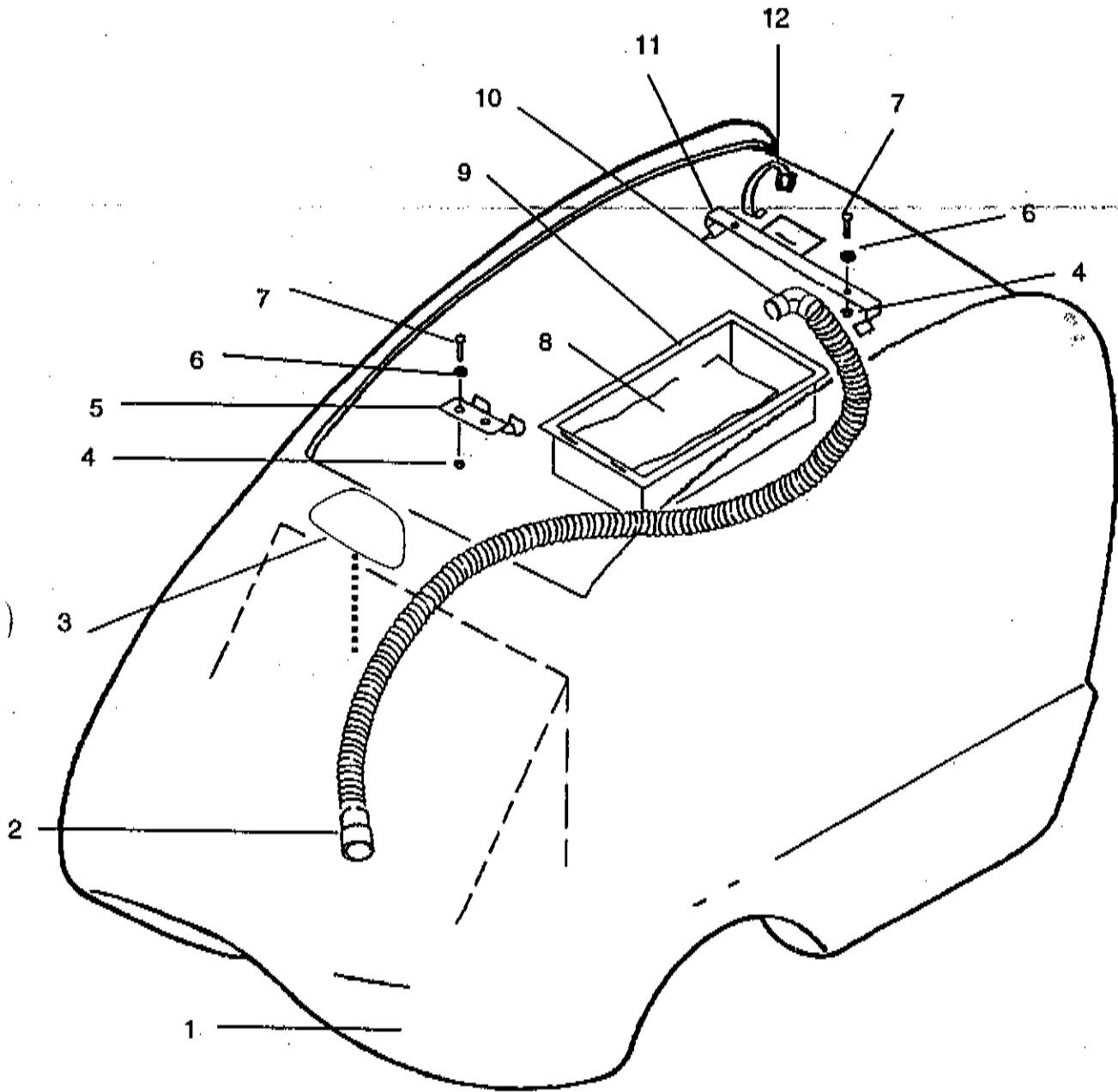
ELECTRICAL DIAGRAM



ELECTRICAL DIAGRAM PARTS LIST

PART NO.	QTY	DESCRIPTION	SERIAL NO. FROM	NOTES:
41372	1	HARNESS, BATT BURNISHER CONTROL		
41370	1	HARNESS, BATT BURNISHER TRACTION		
880275	1	WIRE, 13" RED/14 76029 X 76029		
880034	1	WIRE, 6" BLK/18 76011 X 76040		
81365	2	WIRE, 4GA X 24.5 BLK		
880257	2	WIRE, 4GA X 50.0 BLK		
880079	1	WIRE, 10" RED/6 76130L X 76130L		
880078	1	WIRE, 9" RED/6 76131L X 76130L		
880087	1	WIRE, 14" RED/18 76031 X 76040		
67444	1	RESISTOR ASM, 100 OHM		
29198	1	DIODE ASM, PIGGYBACK TERMINAL		

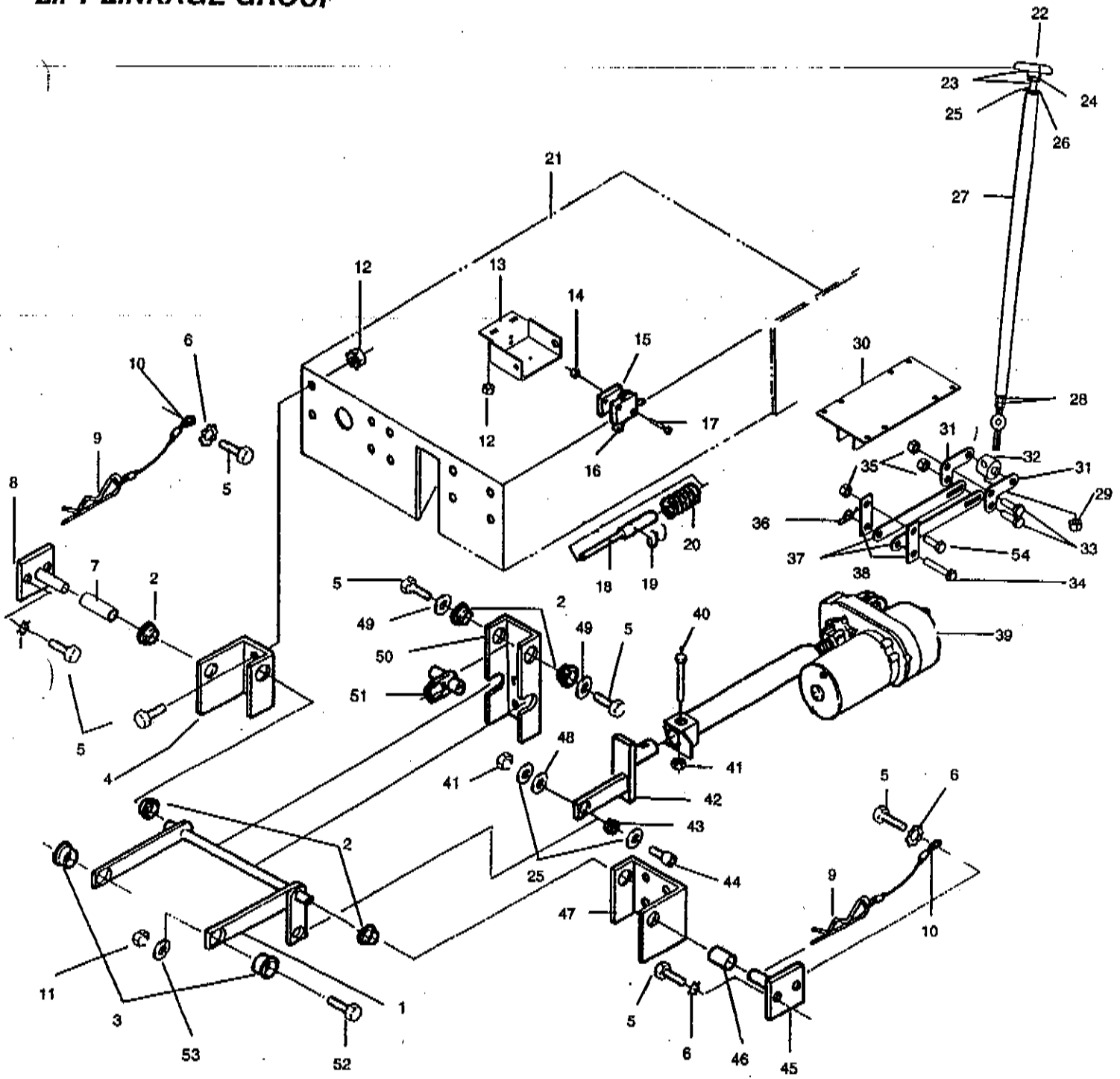
HOOD GROUP



HOOD PARTS LIST

REF	PART NO.	QTY	DESCRIPTION	SERIAL NO. FROM	NOTES:
1	27887	1	COVER, BATTERY BRNSHR RED		
2	27759	1	CUFF, HOSE 1.5" C BLK A 2161		
3	500188	1	LABEL, LOGO BETCO (GRAY)		
4	57104	4	NUT, 10-32 W/STAR WASHER PLTD		
5	14399	1	BRKT, FILTER COVER HINGE		
6	87018	4	WASHER, #10 X 9/16OD		
7	70484	4	SCR, 10-32 X 5/8 PPHMS SS		
8	2003	1	FILTER BAGS, 10/PKG 8732S		
9	27880	1	COVER, FILTER		
10	39550	1	HOSE ASM, 1.5 BLK VAC X 50		
11	14398	1	BRKT, FILTER COVER LATCH		
12	20046	1	CLAMP, 2.25" WORM GEAR		

LIFT LINKAGE GROUP



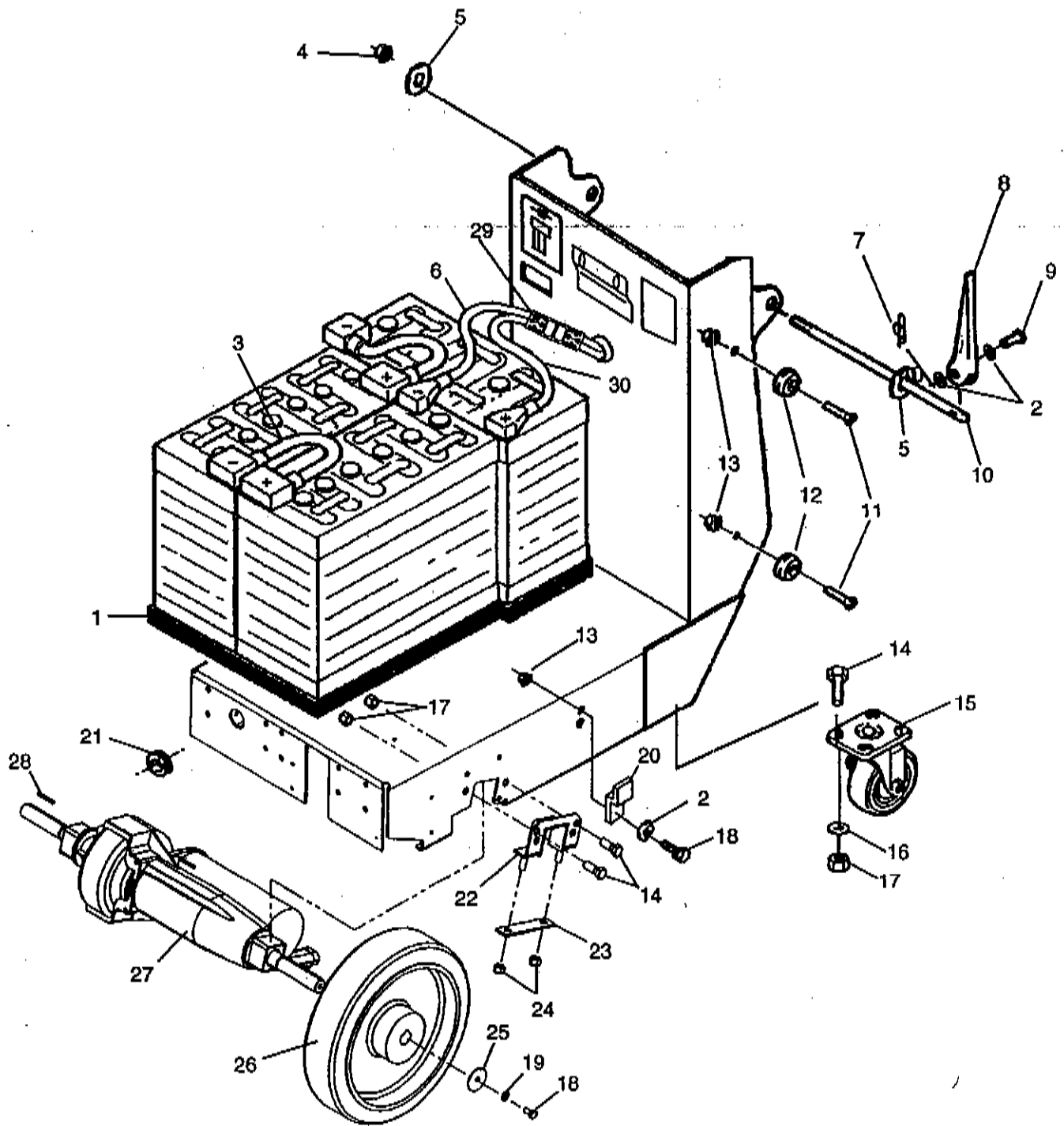
NOTE: If the actuator is replaced, this distance(A) should be equivalent to two full turns of actuator barrel.

Actuator Barrel

LIFT LINKAGE PARTS LIST

REF	PART NO.	QTY	DESCRIPTION	SERIAL NO. FROM	NOTES
1	51333	1	LINKAGE, DECK LIFTING		
2	14708	5	BUSH, BRZ FLG .51 X .75 X .25		
3	14593	2	BUSH, BRZ FLG .50 X .75 X .75		
4	14706	1	BRKT, SCRUB DECK LINK RT		
5	70020	14	SCR, 1/4-20 X 1/2 HHCS SS DL		
6	87025	6	WASHER, 1/4 LOCK EXT STAR SS		
7	78323	1	TUBE, 5/8"OD X .058W X .930 CRS		
8	66201	1	PIVOT ASM, RH COVER		
9	66092	2	PIN, COTTER HAIR .093" DIA.		
10	27457	2	CORD, COVER PIN		
11	57118	2	NUT, 1/2-13 HEX NYLOCK		
12	57105	16	NUT, 1/4-20 HEX W/ STAR WASHER		
13	14387	1	BRKT, MICROSWITCH MOUNT		
14	57163	14	NUT, 4-40 W/ STAR WASHER		
15	73458	2	SPACER, PLUNGER SWITCH		
16	72053	1	SWITCH, 125VDC SP NC ROLLER \$7329		
17	70580	2	SCR, 4-40 X 1.0 PPHMS		
18	66266	1	PLUNGER, MICROSWITCH		
19	27721	2	CLIP, RETAINING 7/16		
20	73576	1	SPRING, COMP .60D X 2.0L X .045W		
21	34371	1	FRAME, BATT BURN		
22	48077	1	KNOB, 3.50OD X 3/8-16 THRU HOLE		
23	80102	2	SPACER, .500OD X .391ID X .400		
24	57085	1	NUT, 3/8-16 HEX JAM		
25	87003	6	WASHER, 3/8ID X 7/8OD SS		
26	87206	1	WASHER, THRUST .51ID X 1OD X .063		
27	730014	1	SHAFT, PAD ADJUST		
28	57217	2	NUT, 3/8-24 HEX JAM		
29	57216	1	NUT, 3/8-24 HEX NYLOCK		
30	14386	1	BRKT, ACTUATOR		
31	14375	2	BELLCRANK, PAD ADJUSTING		
32	66331	1	PIVOT, PAD ADJUST		
33	70070	2	SCR, 3/8-16 X 2 HHCS		
34	81406	1	PIN, CLEVIS 3/8 X 2		
35	57119	3	NUT, 3/8-16 HEX NYLOCK		
36	80606	1	COTTER, 3/8" RING		
37	51332	2	LINK, PAD ADJUST		
38	51152	2	LINK, ACTUATOR PIVOT		
39	05147	1	ACTUATOR, 36VDC 2.8 STK DBLSPD		
40	70368	1	SCR, 3/8-16 X 1-3/4 HHCS PLTD		
41	57022	2	NUT, 3/8-16 HEX NYLOCK THIN SS		
42	51336	1	LINKAGE, ACTUATOR		
43	14400	1	BUSHING, .377ID X .627OD X .63		
44	70266	1	SCR, 3/8-16 X 1" HHCS GR5 PLTD DL		
45	66149	1	PIVOT ASM, COVER		
46	14725	1	BUSH, BRZ .50 X .75 X .69		
47	14704	1	BRKT, SCRUB DECK LINK LT		
48	87088	1	WASHER, 5/8ID X 1.18 X .08 SS		
49	87013	2	WASHER, 1/4ID X 5/8OD SS		
50	14705	1	BRKT, SCRUB DECK LINK MID		
51	51151	1	LINKAGE ASM, DECK GUIDE ADJ (F)		
52	70511	2	SCR, 1/2-13 X 1.5 HHCS GR5 PLTD		
53	87080	2	WASHER, .5 X 1.25 FLAT GR8 PLTD		
54	70508	1	SCR, 3/8-16 X 2.25 HHCS GR5PLT		

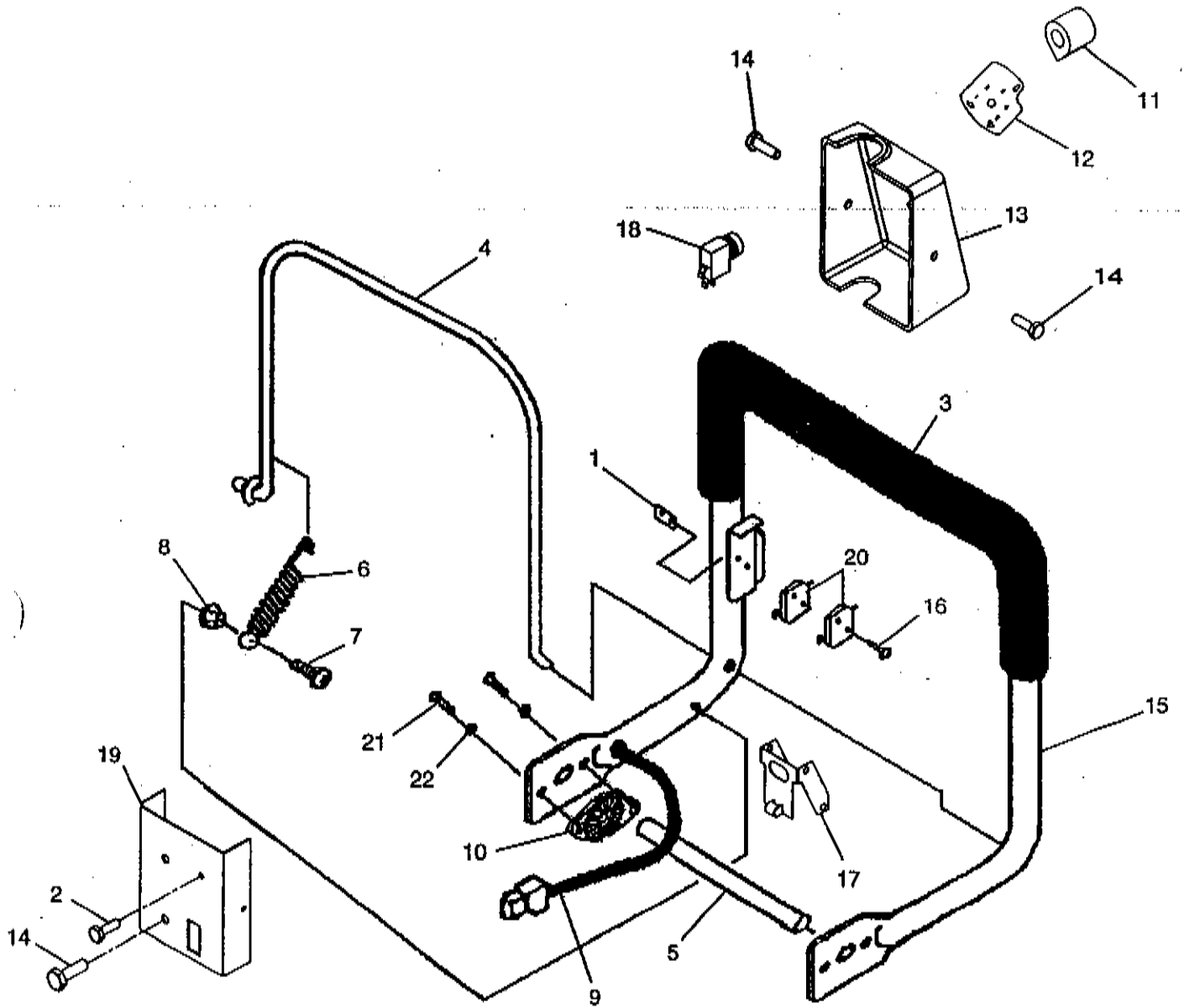
CHASSIS/DRIVE ASSEMBLY



CHASSIS/DRIVE ASSEMBLY PARTS LIST

REF	PART NO.	QTY	DESCRIPTION	SERIAL NO. FROM	NOTES:
1	78231	1	TRAY, BATTERY		
2	87013	4	WASHER, ¼ ID X 5/8 OD SS		
3	23125	2	WIRE, 4 X 15 BCLAMP X BCLAMP		
4	57032	1	NUT, 3/8-16 SERRATED FLG		
5	87080	2	WASHER, .5 X 1.25 FLAT		
6	23191	1	CABLE, 4 X 27 BK BCLAMP X CTERM		
7	80604	1	COTTER, ¼" RING		
8	51142	1	LEVER, HANDLE LOCK		
9	86133	1	PIN, CLEVIS 3/16" X 7/8" L		
10	67438	1	ROD, HANDLE-ADJUSTMENT		
11	70201	4	SCR, ¼-20 X ¼ FHCS		
12	73454	4	SPACER, MAIN COVER		
13	57105	8	NUT, ¼-20 HEX W/STAR WASHER		
14	70266	8	SCR, 3/8-16 X 1" HHCS GR5 PLTD DL		
15	18027	1	CASTER, 4" POLYURETHANE SWIVEL	87332	
16	87003	4	WASHER, 3/8 ID X 7/8 OD SS		
17	57119	8	NUT, 3/8-16 HEX NYLOCK		
18	70020	6	SCR, ¼-20 X ½ HHCS SS DL		
19	87025	2	WASHER, ¼ LOCK EXT STAR SS		
20	14730	2	BRKT, BATTERY RETAINER		
21	36125	1	GROMMET, ¼ ID X 1.38 OD		
22	89105	2	WELDMENT, BRKT AXLE SUPPORT		
23	66333	2	PLATE, TRANSAXLE MOUNTING		
24	57113	4	NUT, 5/16-18 HEX NYLOCK		
25	87008	2	WASHER, ¼ ID X 1-1/4 OD PLTD		
26	89205	2	WHEEL, 10" X 2.5" X .75 GRAY		
27	78434	1	TRANSAXLE, 36VDC		
28	48008	2	KEY, 3/16 X 1.75		
29	23190	1	CABLE, 4 X 27 RD BCLAMP X CTERM		
30	80682	1	CONNECTOR, BATTERY GRV 175AMP		

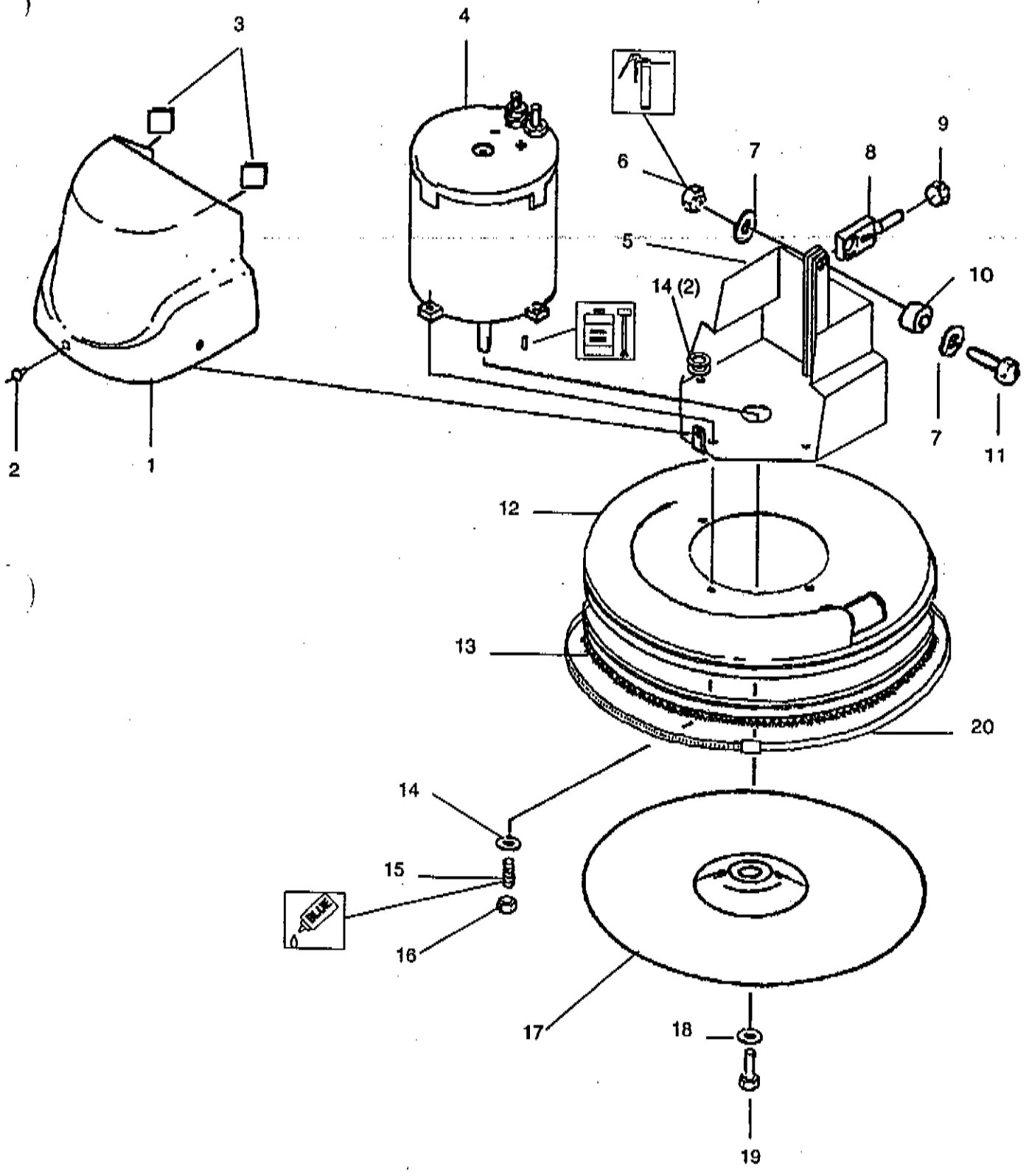
HANDLE ASSEMBLY



HANDLE ASSEMBLY PARTS LIST

REF	PART NO.	DESCRIPTION	SERIAL NO. FROM	NOTES:
1	57247	NUT, PLATE SWITCH MOUNTING		
2	70309	SCR, 6-32 X 1/4 HHTC -F- PLTD		
3	36200	GRIP, FOAM .75ID X .27W X 21.0		
4	14393	BAR, SWITCH ACTUATOR		
5	78445	TUBE, HANDLE ADJUSTMENT		
6	73450	SPRING, SAFETY SWITCH		
7	70383	SCR, 10-32 X 3/4 PHTR PLTD		
8	57104	NUT, 10-32 W/ STAR WASHER PLTD		
9	41372	HARNESS, BATT BURN CONTROLLER		
10	51184	LOCK, HANDLE ADJUSTMENT		
11	48043	KNOB, SPEED CONTROL 67344		
12	500185	LABEL, BURNISHER SPEED CONTROL		
13	27878	COVER, SWITCH		
14	70351	SCR, 10-32 X 3/8 HHTR W/STAR		
15	41375	HANDLE, TRACTIONI BATT BURN		
16	70580	SCR, 4-40 X 1.0 PPHMS		
17	05128	ACTUATOR, TANDEM SWITCH		
18	72168	SWITCH, MOMENTARY, DSPT		
19	66332	PLATE, SWITCH GUARD		
20	72158	SWITCH, 10A PLUNGER MINI		
21	70228	SCR, 10-32 X 1/4 PPHMS SS DL		
22	87018	WASHER, #10 X 9/16 OD		

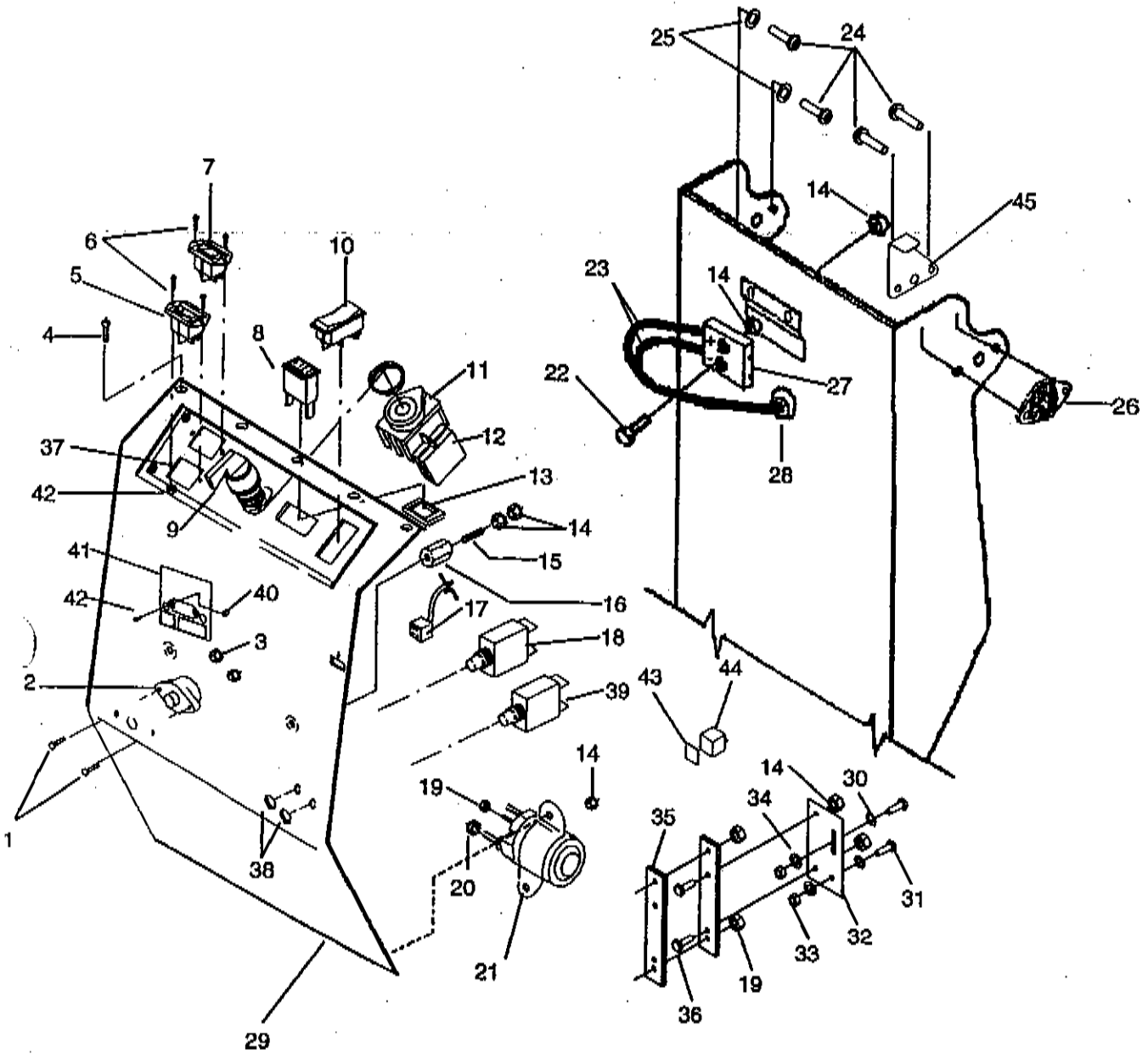
DECK LIFT MECHANISM



DECK LIFT MECHANISM PARTS LIST

REF	PART NO.	DESCRIPTION	SERIAL NO. FROM	NOTES:
1	27427	COVER, MOTOR (MCHD)		
2	70351	SCR, 10-32 X 3/8 HHTR W/ STAR		
3	35187	GASKET, TUBE SEAL		
4	53643	MOTOR, 36VDC 2.5HP 2500RPM		
5	29227	DECK MOUNT, BURNISHER		
6	57119	NUT, 3/8-16 HEX NYLOCK		
7	87003	WASHER, 3/8ID X 7/8OD SS		
8	51339	LINKAGE, DECK CAMBER ADJUST.		
9	57085	NUT, 3/8-16 HEX JAM		
10	14400	BUSHING, .377ID X .627OD X .63		
11	70377	SCR, 3/8-16 X 1.25 HHCS GR5 PLTD		
12	730019	SHROUD, BATT BURN		
13	730017	SKIRT, BURNISHER SHROUD		
14	87013	WASHER, 1/4ID X 5/8OD SS		
15	70393	SET SCR, 1/4-20 X 1.25L		
16	57105	NUT, 1/4-20 HEX W/ STAR WASHER		
17	64105	PAD DRIVER ASSEMBLY, 19" 87362		
18	87102	WASHER, 5/16ID X 1-1/4OD		
19	70244	SCR, 5/16-24 X 1/2 HHMS SS DL		
20	20077	CLAMP, WORM #HS356		
21	51340	LOCK, PAD DRIVER L/H BIG MOUTH		SERVICE ONLY

ELECTRICAL CONTROLS



ELECTRICAL CONTROLS PARTS LIST

REF	PART NO.	QTY	DESCRIPTION	SERIAL NO. FROM	NOTES:
1	70013	2	SCR, 8-32 X 3/4 PPHMS		
2	140182	1	BREAKER, CIRCUIT 60AMP THERMAL	87353	
3	57026	2	NUT, 8-32 HEX NYLOCK		
4	70408	8	SCR, #10B X 3/8 PHSM BLK		
5	54092	1	METER, 0-60VDC HOUR		
6	70394	4	SCR, 6-32 X 1/2 THMS BLK ZINC		
7	54144	1	METER, 36V BATTERY CHARGE LEVEL		
8	54131	1	METER, 0-70AMP DC 87349		
9	02125	1	SWITCH, MAIN ROTARY (KEY)		
10	72128	1	SWITCH, DPDT 2-POSITION ROCKER	87405	
11	72088	1	SWITCH, CONTACT BLOCK CHIP		
12	72089	1	SWITCH, CONTACT MODULE NO		
13	62283	1	PLATE, METER RETAINING		
14	57105	10	NUT, 1/4-20 HEX W/ STAR WASHER		
15	70393	1	SET SCR, 1/4-20 X 1.25L		
16	73659	1	STANDOFF, 1/4-20 X 1.0 HEX INS		
17	27554	1	CONN., MOLEX 6-PIN RECEPT. (M)		
18	14717	1	BREAKER, 3 AMP - 87603		
19	57104	4	NUT, 10-32 W/ STAR WASHER PLTD		
20	57117	2	NUT, 5/16-24 HEX PLTD		
21	67315	1	RELAY, 36VDC 100AMP HVY DUTY		
22	70010	2	SCR, 1/4-20 X 1.5 HHCS		
23	81365	2	WIRE, 4 X 24.5 BK C.TERM X 5/16 RING		
24	70228	4	SCR, 10-32 X 1/4 PPHMS SS DL		
25	87018	4	WASHER, #10 X 9/16OD		
26	51184	2	LOCK, HANDLE ADJUSTMENT		
27	80682	1	CONNECTOR, BATTERY GRY 175 AMP		
28	36020	1	GROMMET, 5/8ID X 1.12OD		
29	66325	1	PANEL, ELECTRIC		
30	87026	2	WASHER, #6 LOCK EXT STAR SS		
31	70615	2	SCR, 6-32 X 3/8 SRHMS BR		
32	73445	1	SHUNT, 50MV 70 AMP		
33	57256	2	NUT, 6-32 HEX BRASS		
34	87187	2	WASHER, #6 FLAT BRASS		
35	14729	2	BRKT, SHUNT MOUNTING		
36	70201	2	SCR, 1/4-20 X 3/4 FHCS		
37	500184	1	LABEL, BURNISHER PANEL		
38	57024	2	NUT, 3/8-27 PANEL PLTD 8		
39	14700	1	BREAKER, 15A CIRCUIT 87503	1000041691	
40	73734	2	SPACER, .166ID X .313OD X .375L AL		
41	27579	1	CONTROLLER, 36VDC 1.8 SEC DELAY	87357	
42	57116	6	NUT, 6-32 W/ STAR WASHER PLTD		
43	99817	1	TAPE, 1/32T X 1.0 2SA		
44	67445	1	RELAY, 24VDC 40A		
45	14425	1	BRKT, HANDLE STOP		
46	82488	1	KEY, ROTARY IGN. SWITCH		SERVICE ONLY

SUGGESTED SPARE PARTS

PART NO.	DESCRIPTION	SERIAL NO. FROM	NOTES:
14717	BREAKER, 3 AMP		
140182	BREAKER, CIRCUIT 60 AMP		
18027	CASTER, 4" POLYURETHANE SWIVEL		
23125	CABLE ASM, BATTERY JUMPER X 15		
23190	CABLE, 4 X 27 RD BCLAMP X CTERM		
23191	CABLE, 4 X 27 BK BCLAMP X CTERM		
51340	LOCK, PAD DRIVER LH BIG MOUTH		
64105	PAD DRIVER ASM, 19"		
67315	RELAY, 36VDC 100A		
02125	SWITCH, MAIN ROTARY (KEY)		
72053	SWITCH, 125VDC SP NC ROLLER		
72088	SWITCH, CONTACT BLOCK CLIP		
72089	SWITCH, CONTACT MODULE NO.		
72128	SWITCH, DPDT 2-POSITION ROCKER		
36203	GUARD, SHROUD EDGE		
02100	HYDROMETER		
2003SM	FILTER BAG PACKS, 10/PKG		
78231	BATTERY TRAY		
27579	CONTROLLER, 36VDC 1.8SEC DELAY		
72158	SWITCH, 10A PLUNGER MINI		
72168	SWITCH, MOMENTARY DPST		