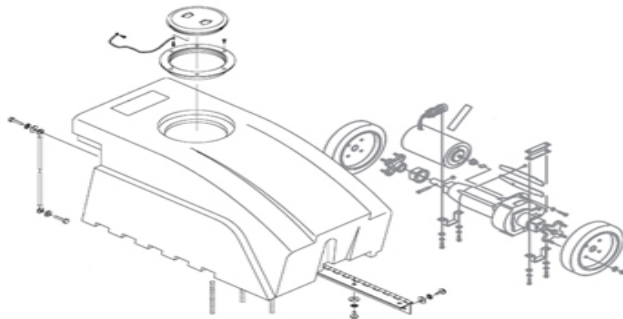
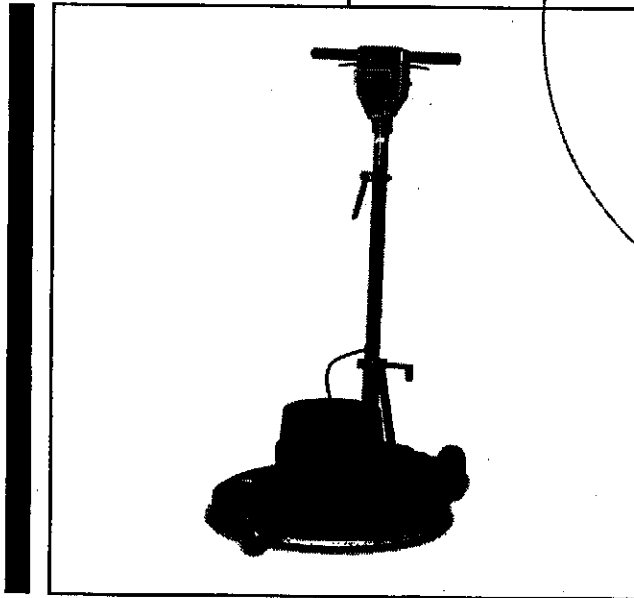


BR2000 20" 2000 RPM Burnisher

Parts Schematic

Item #85014



FLOOREQUIPMENTPARTS.COM

Better Resources. Better Results.
BETCO®

BURNISHER BR 2000

85014R

ITEM	DESCRIPTION	QTY	ITEM	DESCRIPTION	QT
85457	SWITCH BOX COVER TX	1	85066	BRACE LOCK PAINTED	1
85410	METER AMP TX	1	85067	HANDLE TUBE PLATED	1
85424	UHS CHASSIS PLUG	1	85068	CAM LEVER ASSEMBLY	1
85228	CHASSIS-POLY UHS	1	85069	HEYCO CAM LEVER PLUG	1
85432	1/4-20 X 3/4" PHS	1	85070	EXTENSION ROD WELDED	1
85431	1/4" LG DIA. WASHER	1	85071	TAPERED SLEEVE	1
85385	TRIGGER TX	2	85072	BUSHING	2
85161	LEVER SAFETY SWITCH TX	2	85073	5/16-18 NYLOC NUT	2
85436	LEAD WIRE-METER	1	85074	8-32 X 1/4 C'SUNK SCREW	4
85420	UHS ADJUST KNOB	1	85075	FLEXIBLE DRIVE ASSEMBLY	1
04914	BRACE AXLE PLATED	1	85082	8-32 X 1/4 TAPTITE PHILLIPS	1
85435	WHEEL AXLE PLATED	1	85084	SWITCH INSERT	1
85428	UHS BUMPER	1	85089	SUPPORT BRACKET	4
85421	UHS WHEEL STUD	1	85090	UHS PAD CENTRE LOK	1
85408	T-SUPPORT SHAFT	1	85092	3/8-16 X 5/8 HHCS	4
85453	MOTOR COVER UHS TX	1	85094	5/16-18 SHCS	1
85426	UHS ADJUST WHEEL SPRING	1	85095	CUP WASHER	1
85032	MICRO SW 1 1/2 HP	1	85100	6-32 X 7/8 TAPTITE PHILIPS	2
85036	ANTI-KINK SPRING	1	85105	GROMMET 3/8"	1
85038	14/3 X 75 FT CORD SET	1	85119	HANDLE TUBE	1
85041	HANDLE GRIP FOAM	1	85140	#14-1 1/2 TYPE A SCREW	2
85042	RECTIFIER	1	85144	INDICATOR LIGHT	1
85043	CASTER UHS B/R SUPPORT	2	85150	8-32 X 1/2 TAPTITE PHILLIPS	4
85044	WEDGE HANDLE	1	85158	1/4-20 X 3/4 HHCS	3
85045	3/8 SPRING LOCK WASHER	1	85351	HITCH PIN	1
85046	10-24 X 1/2 PHS PHILLIPS	1	85358	1/4-20 NYLOC NUT	2
85047	5/16 FLAT WASHER	4	85359	1/2 TENSION WASHER TW8	2
85048	PIGTAIL FEMALE 42 IN.	2	85360	SHROUD FILTER SM WET	1
85049	5/16 SPRING LOCKWASHER	4	85362	CORD GRIP-STRAIN RELIEF	2
85050	1/2 IN. NYLON WASHER	1	85363	3/8-16 ACORN NUT FLANGED	1
85053	MOTOR BRUSH	4	85370	MOTOR UHS 2000 RPM	1
85054	KNOB SAFETY SWITCH	4	85380	10-24 X 3/4 PHS PHILLIPS	1
85056	SPRING SAFETY SWITCH	4	85383	WHEEL 5in FLOOR MACH	2
85057	6-32 X 1/4 TAP SCREW	2	85388	HANDLE TUBE PLUG	2
85059	HANDLE BRACE PAINTED	1	85397	5/16-18 X 5/16 SET SCREW	1
85060	AXLE SHAFT PLATED	2	85398	#8 X 5/8 PHSMS	3
85061	T-HANDLE SUPPORT PAINT	1			
85062	AXLE END CAPS	6			
85063	5/16-18 X 1 1/2 HBB	4			
85064	SWITCH BOX	1			
85065	SW/ BOX COVER	1			

MAY 2002 / 07548