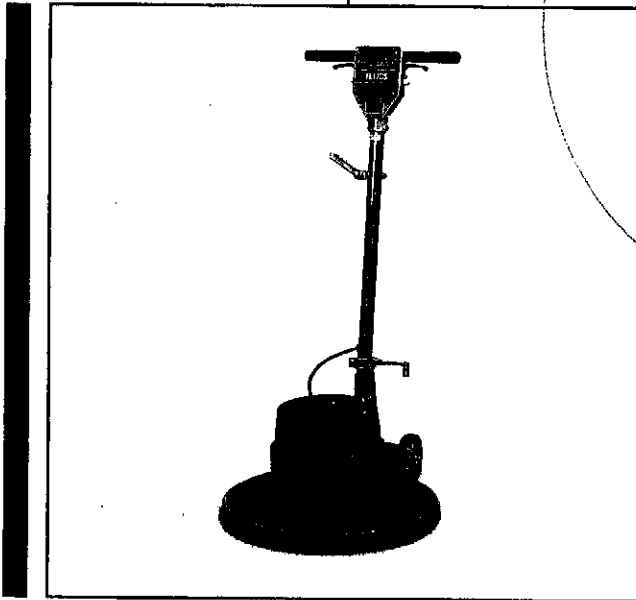


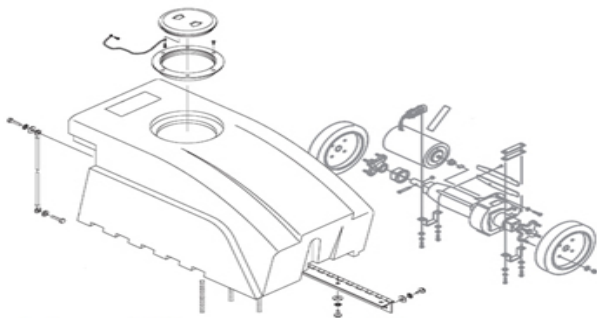
Dual Speed Floor Machines

Parts Schematic



FL17DS
FL20DS

Item #85011
Item #85012

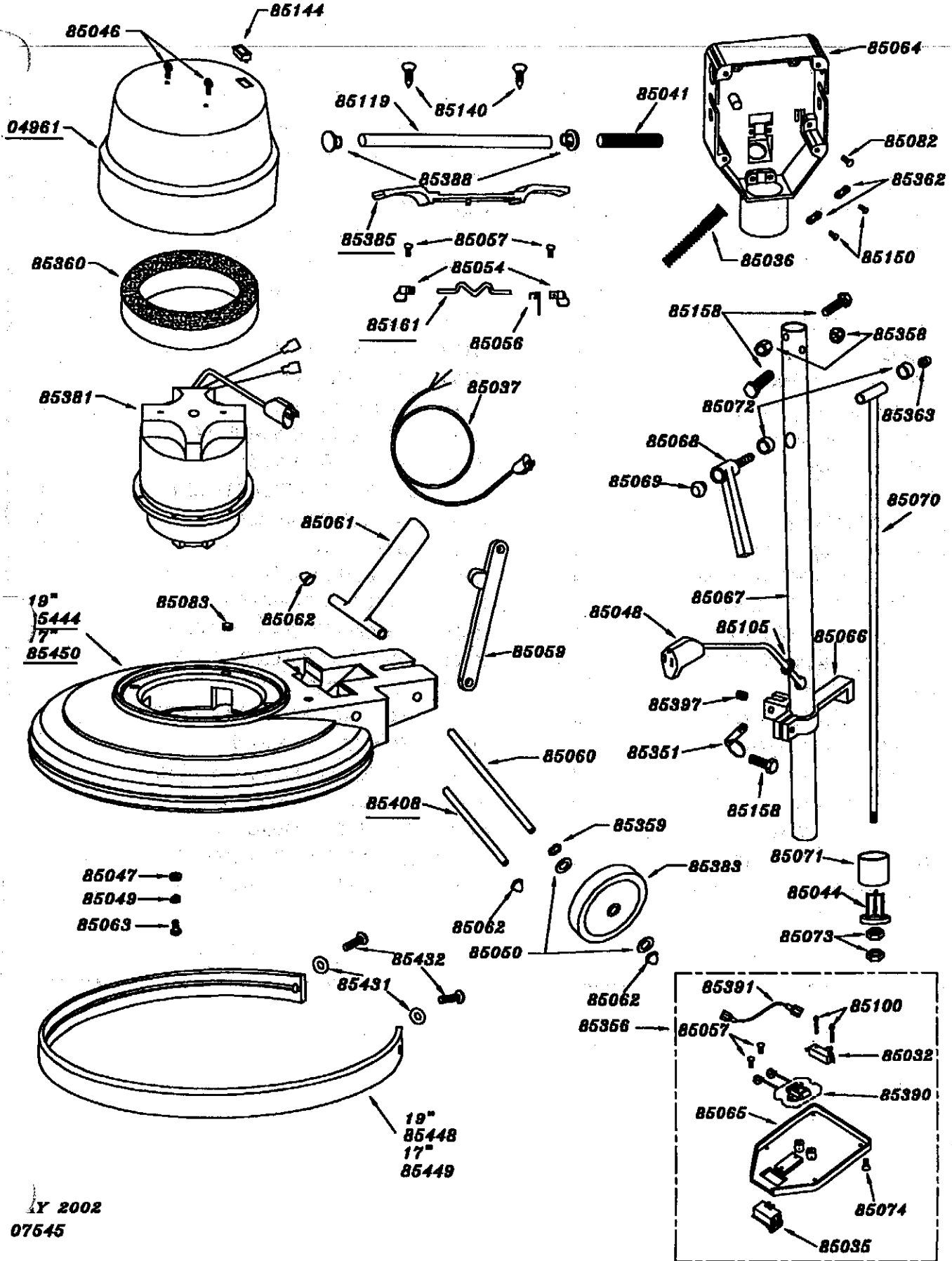


FLOOREQUIPMENTPARTS.COM

Better Resources. Better Results.
BETCO®

BETCO BETCO TX DS 20"/17"

85012R /
85011R



**BETCO TX DS 20"/17"**

85012R / 85011R

ITEM	DESCRIPTION	QTY	ITEM	DESCRIPTION	QTY
85444	CHASSIS-POLY 19"	1	85067	HANDLE TUBE PLATED	1
85450	CHASSIS-POLY 17"	1	85068	CAM LEVER ASSEMBLY	1
85432	1/4-20 X 3/4 PHS	2	85069	HEYCO CAM LEVER PLUG	1
85431	1/4" LG DIA. WASHER	2	85070	EXTENSION ROD WELDED	1
85385	TRIGGER TX	1	85071	TAPERED SLEEVE	1
85161	LEVER SAFETY SWITCH	1	85072	BUSHING	2
85449	BUMPER 17"	1	85073	5/16-18 NYLOC NUT	2
85448	BUMPER 19"	1	85074	#6-32 X 3/8 FHS - COVER	4
85408	T-SUPPORT SHAFT	1	85082	#8-32 X 1/4 PHS	1
04961	MOTOR COVER-TX RED DS	1	85083	PLUG	1
85032	MICRO SW 1 1/2 HP	1	85100	#6-32 X 7/8 PHS	2
85036	ANTI-KINK SPRING	1	85105	GROMMET 3/8"	1
85037	CORD ASSEMBLY 14/3 X 50'	1	85119	HANDLE TUBE	1
85041	HANDLE GRIP FOAM	2	85140	#14-1 1/2 TYPE A SCREW	2
85044	WEDGE HANDLE	1	85144	INDICATOR LIGHT	1
85046	#10-24 X 1/2 PHS	2	85150	8-32 X 1/2 TAPTITE PHILLIPS	4
85047	5/16 FLAT WASHER	4	85158	1/4-20 X 3/4 HHMS	2
85048	PIGTAIL FEMALE 42 IN.	1	85351	HITCH PIN	1
85049	5/16 SPRING LOCKWASHER	4	85356	SWITCH BOX COVER ASSY	1
85050	1/2 IN. NYLON WASHER	4	85358	1/4-20 NYLOC NUT	3
85054	KNOB SAFETY SWITCH	2	85359	1/2 TENSION WASHER TW8	2
85056	SPRING SAFETY SWITCH	1	85360	SHROUD FILTER SM WET	1
85057	#6-32 X 1/4 PHS	2	85362	CORD GRIP	2
85059	HANDLE BRACE PAINTED	1	85363	3/8-16 ACORN NUT FLANGED	1
85060	AXLE SHAFT PLATED	2	85381	MOTOR 1-1/2 HP-DS	1
85061	T-HANDLE SUPPORT PAINT	1	85383	WHEEL 5in. FLOOR MACHINE	2
85062	AXLE END CAPS	4	85388	HANDLE TUBE PLUG	2
85063	5/16-18 X 1 1/2 HHMS	4	85390	SPEED CONTROL DS	1
85064	SWITCH BOX PAINTED	1	85391	LEAD WIRE SWITCH BOX	1
85065	SWITCH BOX COVER PAINT	1	85397	5/16-18 X 5/16 SET SCREW	1

MAY 2002 / 07543