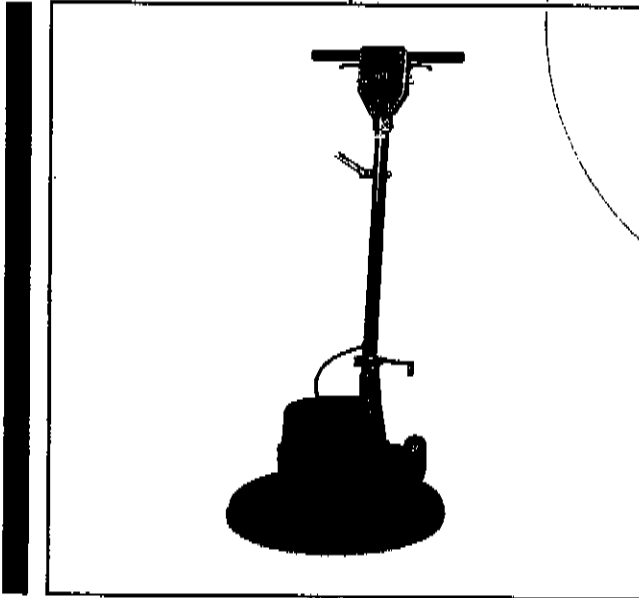


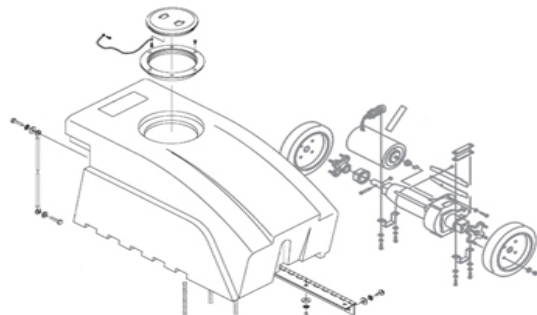
Floor Machines

Parts Schematic



FL17
FL20

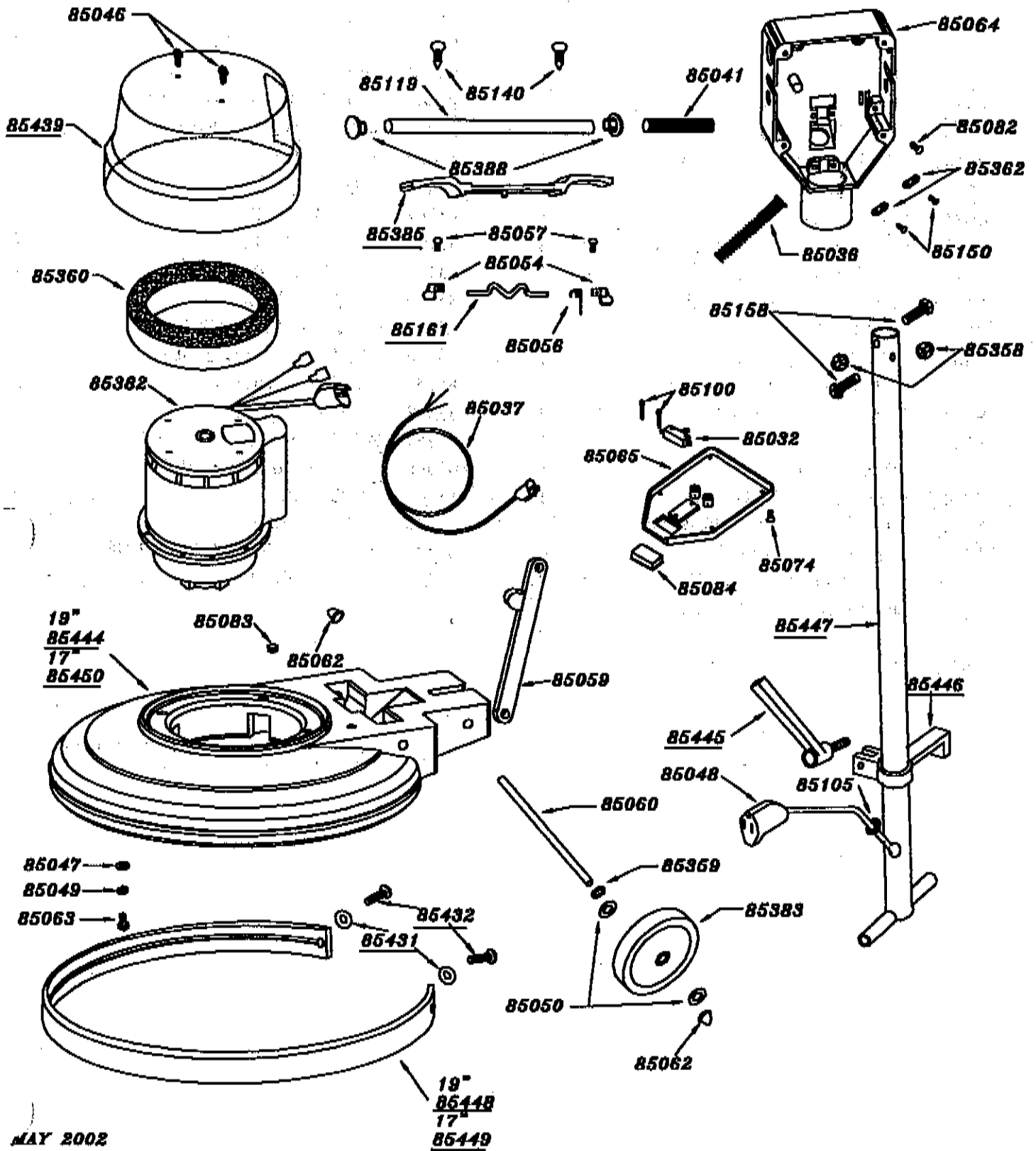
Item #85009
Item #85010



FLOOR-EQUIPMENT-PARTS.COM

Better Resources. Better Results.
BETCO®

BETCO BETCO TX SS 20"/17" LA 19991/19990





BETCO TX SS 20"/17" LA

PARTS LIST 19991/19990

ITEM	DESCRIPTION	QTY	ITEM	DESCRIPTION	QTY
85445	LOCKING HANDLE	1	85060	AXLE SHAFT PLATED	1
85444	CHASSIS-POLY 19"	1	85062	AXLE END CAPS	4
85450	CHASSIS-POLY 17"	1	85063	5/16-18 X 1 1/2 HHMS	4
85432	1/4-20 X 3/4 PHS	2	85064	SWITCH BOX PAINTED	1
85431	1/4" LG DIA. WASHER	2	85065	SWITCH BOX COVER PAINT	1
85385	TRIGGER TX	1	85074	#6-32 X 3/8 PHS - COVER	4
85161	LEVER SAFETY SWITCH	1	85082	#8-32 X 1/4 PHS	1
85449	BUMPER 17"	1	85083	PLUG	1
85448	BUMPER 19"	1	85084	SWITCH INSERT	1
85447	HANDLE TUBE LA PLATED	1	85100	#6-32 X 7/8 PHS	2
85446	CORD HOOK CLAMP LA PTD	1	85105	GROMMET 3/8"	1
85439	MOTOR COVER -TX RED SS	1	85119	HANDLE TUBE	1
85032	MICRO SW 1 1/2 HP	1	85140	#14-1 1/2 TYPE A SCREW	2
85036	ANTI-KINK SPRING	1	85150	8-32 X 1/2 TAPITTE PHILLIPS	4
85037	CORD ASSEMBLY 14/3 X 50'	1	85158	1/4-20 X 3/4 HHMS	2
85041	HANDLE GRIP FOAM	2	85358	1/4-20 NYLOC NUT	2
85046	#10-24 X 1/2 PHS	2	85359	1/2 TENSION WASHER TW8	2
85047	5/16 FLAT WASHER	4	85360	SHROUD FILTER SM WET	1
85048	PIGTAIL FEMALE 42 IN.	1	85362	CORD GRIP	2
85049	5/16 SPRING LOCKWASHER	4	85382	MOTOR 1 HP - SS	1
85050	1/2 IN. NYLON WASHER	4	85383	WHEEL 5in. FLOOR MACHINE	1
85054	KNOB SAFETY SWITCH	2	85388	HANDLE TUBE PLUG	2
85056	SPRING SAFETY SWITCH	1			
85057	#6-32 X 1/4 PHS	2			
85059	HANDLE BRACE PAINTED	1			

MAY 2002 / 07551

Operating Instructions

Check machine for damage to cord or plug.

To install or change the pad:

1. Unplug the machine.
2. Tip the machine back on the wheels.
3. Remove the center-lock.
4. Center the pad on the pad driver.
5. Replace the center-lock and tighten securely.

To operate the machine:

1. Plug into a grounded outlet.
2. Release the handle and lower it.
3. The handle can be locked into a comfortable position for the operator.
4. Press the safety lever and squeeze the trigger to start the machine.
6. Do not operate the machine with the handle in the upright position.
7. Remove the pad after every use.
8. Store the machine tilted back on the transport wheels.
9. Use only new or clean pads and reverse them as needed.

Maintenance Instructions

To maintain appearance – wipe the machine with a damp cloth after use.

Warning – Unplug the machine before servicing

This machine is equipped with an hour meter to signal maintenance intervals of 250 hours. It will begin flashing at 245 hrs and stop at 255 hrs to signal the operator to check the following:

1. Check the motor brushes for wear or excessive arcing.
2. Check the cord and electrical system.
3. Check the safety lockout on the trigger.
4. Check wheels and bearings.